



US00D953289S

(12) **United States Design Patent** (10) **Patent No.:** **US D953,289 S**
Akana et al. (45) **Date of Patent:** **** May 31, 2022**

(54) **HEADPHONES**

(71) Applicant: **Apple Inc.**, Cupertino, CA (US)

(72) Inventors: **Jody Akana**, San Francisco, CA (US); **Molly Anderson**, San Francisco, CA (US); **Bartley K. Andre**, Palo Alto, CA (US); **Shota Aoyagi**, San Francisco, CA (US); **Anthony Michael Ashcroft**, San Francisco, CA (US); **Marine C. Bataille**, San Francisco, CA (US); **Jeremy Bataillou**, San Francisco, CA (US); **Abidur Rahman Chowdhury**, San Francisco, CA (US); **Clara Geneviève Marine Courtaigne**, Palo Alto, CA (US); **Markus Diebel**, San Francisco, CA (US); **Jonathan Gomez Garcia**, San Francisco, CA (US); **M. Evans Hankey**, San Francisco, CA (US); **Richard P. Howarth**, San Francisco, CA (US); **Jonathan P. Ive**, San Francisco, CA (US); **Julian Jaede**, San Francisco, CA (US); **Duncan Robert Kerr**, San Francisco, CA (US); **Peter Russell-Clarke**, San Francisco, CA (US); **Benjamin Andrew Shaffer**, San Jose, CA (US); **Joe Sung-Ho Tan**, San Francisco, CA (US); **Clement Tissandier**, San Francisco, CA (US); **Eugene Antony Whang**, San Francisco, CA (US)

(73) Assignee: **Apple Inc.**, Cupertino, CA (US)

(**) Term: **15 Years**

(21) Appl. No.: **29/739,077**

(22) Filed: **Jun. 22, 2020**

(51) **LOC (13) Cl.** **14-01**

(52) **U.S. Cl.**
USPC **D14/205**

(58) **Field of Classification Search**

USPC D14/205, 188, 192, 249, 240; D29/112;
2/209, 423, 174; 381/370, 371, 374, 375,
(Continued)

(56) **References Cited**

U.S. PATENT DOCUMENTS

D254,616 S 4/1980 Tabata
4,499,593 A * 2/1985 Antle H04R 1/1066
381/309

(Continued)

FOREIGN PATENT DOCUMENTS

EM 002296970-0004 * 8/2013
EM 008205074-0001 * 10/2020

(Continued)

Primary Examiner — Paula Allen Greene

(74) *Attorney, Agent, or Firm* — Sterne, Kessler, Goldstein & Fox P.L.L.C.

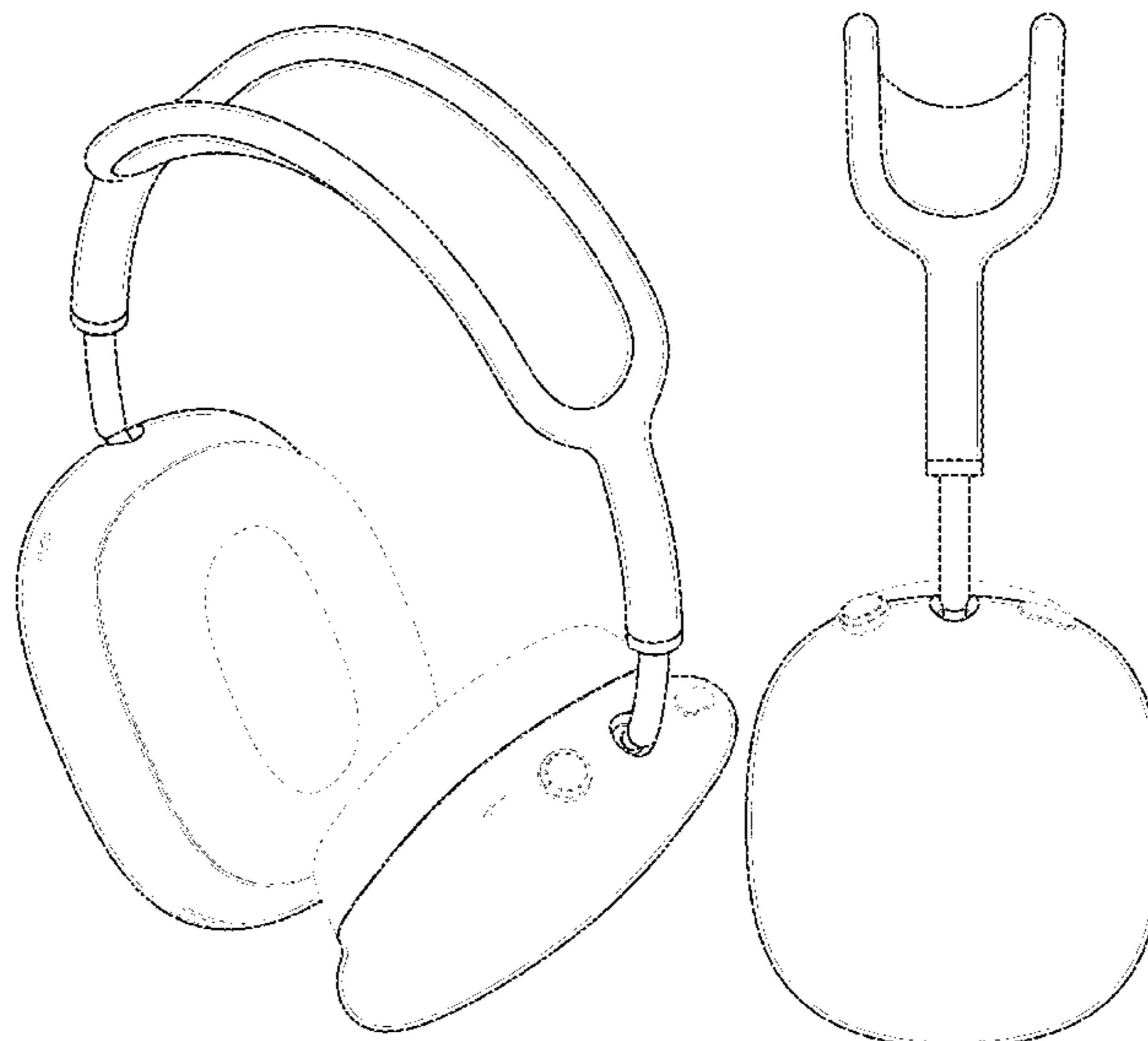
(57) **CLAIM**

The ornamental design for headphones, as shown and described.

DESCRIPTION

FIG. 1 is a top front perspective view of headphones showing the claimed design;
FIG. 2 is a bottom rear perspective view thereof;
FIG. 3 is a front view thereof;
FIG. 4 is a rear view thereof;
FIG. 5 is a left side view thereof;
FIG. 6 is a right side view thereof;
FIG. 7 is a top view thereof; and,
FIG. 8 is a bottom view thereof.
The broken lines in the figures show portions of the headphones that form no part of the claimed design.

1 Claim, 7 Drawing Sheets



US D953,289 S

(58) **Field of Classification Search**

USPC 381/376, 378, 373, 151; 181/157;
379/430; 455/90.3, 575.1, 569.1
CPC H04R 25/00; H04R 25/02; H04R 1/1066;
H04R 1/1016; H04R 5/033; H04R
5/0335; H04R 1/105; H04R 1/1091;
H04R 1/008; H04R 1/10

See application file for complete search history.

(56)

References Cited

U.S. PATENT DOCUMENTS

D353,818 S 12/1994 Nakamura
D358,391 S 5/1995 Isono
D373,360 S 9/1996 Kanno
D375,312 S 11/1996 Kanno
D376,598 S 12/1996 Hayashi
D443,872 S 6/2001 Mori
D452,492 S 12/2001 Mori
D457,512 S 5/2002 Yoneda
D459,337 S 6/2002 Mori
D467,580 S 12/2002 Mori
D502,695 S 3/2005 Suzuki
D508,483 S 8/2005 Suzuki
D517,045 S 3/2006 Komiyama
D517,527 S 3/2006 Suzuki
D519,110 S 4/2006 Komiyama
D519,497 S 4/2006 Komiyama
D520,492 S 5/2006 Chen
D552,077 S 10/2007 Brunner et al.
D567,215 S 4/2008 Lee
D601,124 S 9/2009 Uchimura et al.
D632,668 S 2/2011 Brunner et al.
D633,896 S 3/2011 Kondo et al.
D637,176 S 5/2011 Brunner et al.
D657,344 S 4/2012 Brunner et al.
D657,345 S 4/2012 Brunner et al.
D674,767 S 1/2013 Brunner et al.
D716,760 S 11/2014 Brunner et al.
D775,605 S 1/2017 Lee et al.
D778,258 S 2/2017 Hsu et al.

D780,156 S 2/2017 Petersen
D791,734 S 7/2017 Ou
D796,474 S 9/2017 Treski et al.
D814,439 S 4/2018 Birath et al.
D826,210 S 8/2018 Chong
D830,993 S 10/2018 Petersen et al.
D842,270 S * 3/2019 Chen D14/205
D843,345 S 3/2019 Brunner et al.
D848,973 S 5/2019 Karacal
D851,062 S 6/2019 Saule et al.
D851,622 S 6/2019 Billaudet et al.
10,362,380 B2 7/2019 Ito et al.
D857,655 S 8/2019 Saule et al.
D860,163 S 9/2019 Xia
D867,327 S 11/2019 Brunner et al.
D871,368 S 12/2019 Saule et al.
D872,049 S 1/2020 Saule et al.
D873,237 S 1/2020 Ozawa et al.
D876,388 S 2/2020 Carr et al.
D878,329 S 3/2020 Levine et al.
D881,840 S 4/2020 Chen
D889,432 S 7/2020 Brunner et al.
10,721,550 B2 7/2020 Bunney et al.
D900,783 S * 11/2020 Levine D14/205
D916,680 S * 4/2021 Akana D14/205
D926,725 S * 8/2021 Akana D14/205
D937,806 S * 12/2021 Akana D14/205
2022/0014837 A1 * 1/2022 Kikuchi H04R 1/1091

FOREIGN PATENT DOCUMENTS

IN 334368-001-0001 * 10/2020
JP D1557743 S 9/2016
JP D1691873 * 7/2021
KR 30-0687072 3/2013
KR 301121827.0000 * 7/2021
KR 301122646.0000 * 7/2021
TW 214800-0001 * 4/2020
TW 214803-0001 * 8/2020
TW 214804-0001 * 10/2020
TW 214805-0001 * 10/2020
TW 214806-0001 * 10/2020

* cited by examiner

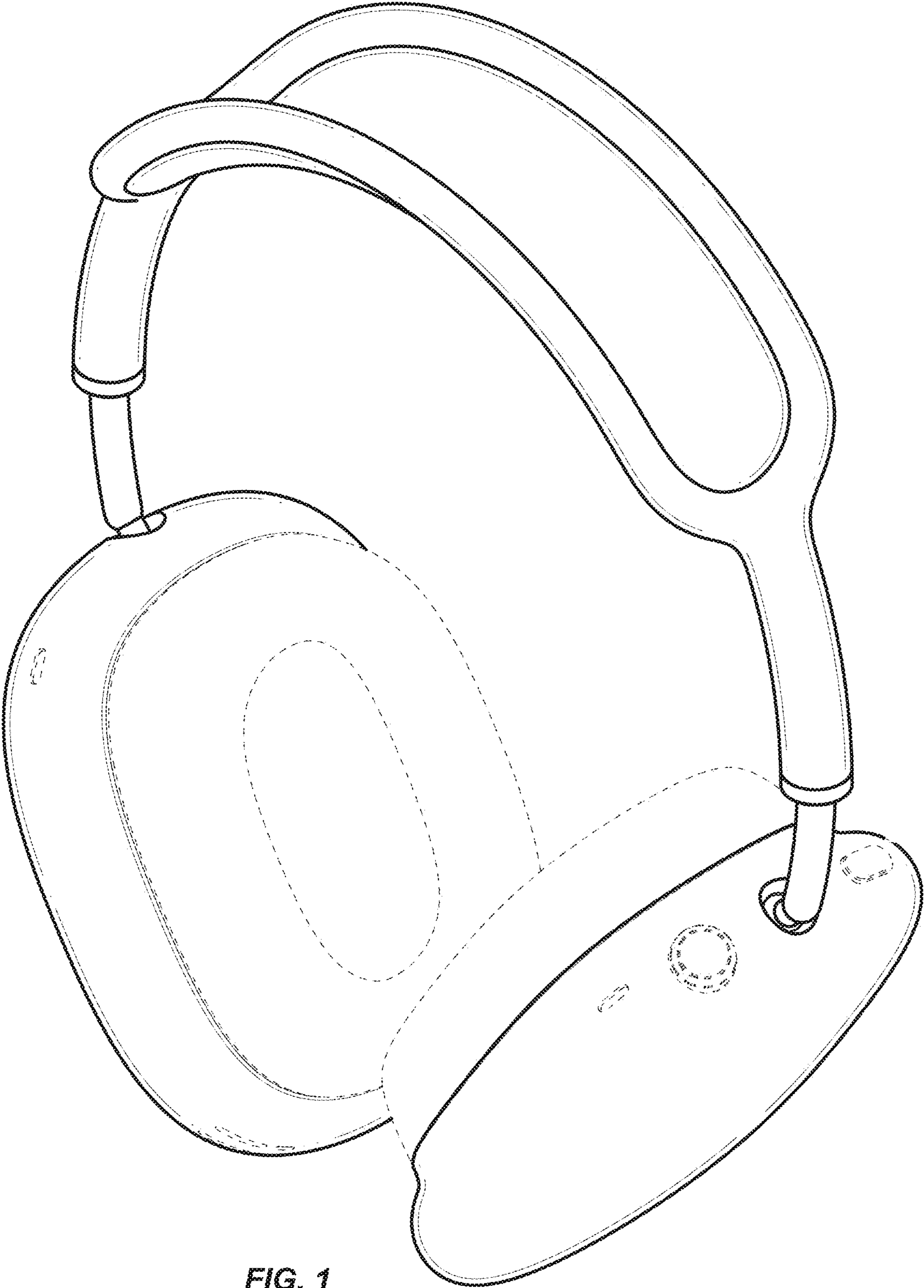
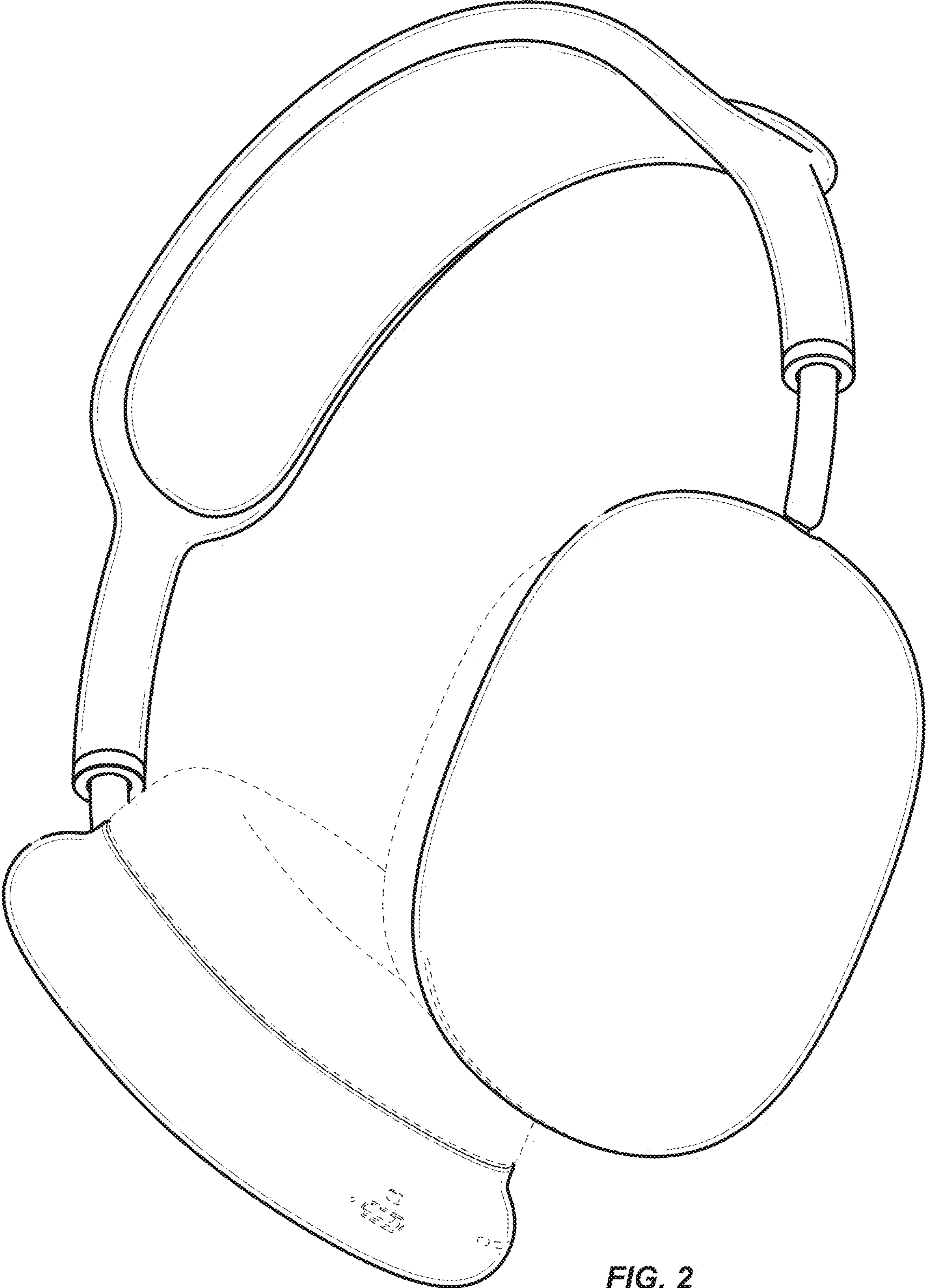


FIG. 1



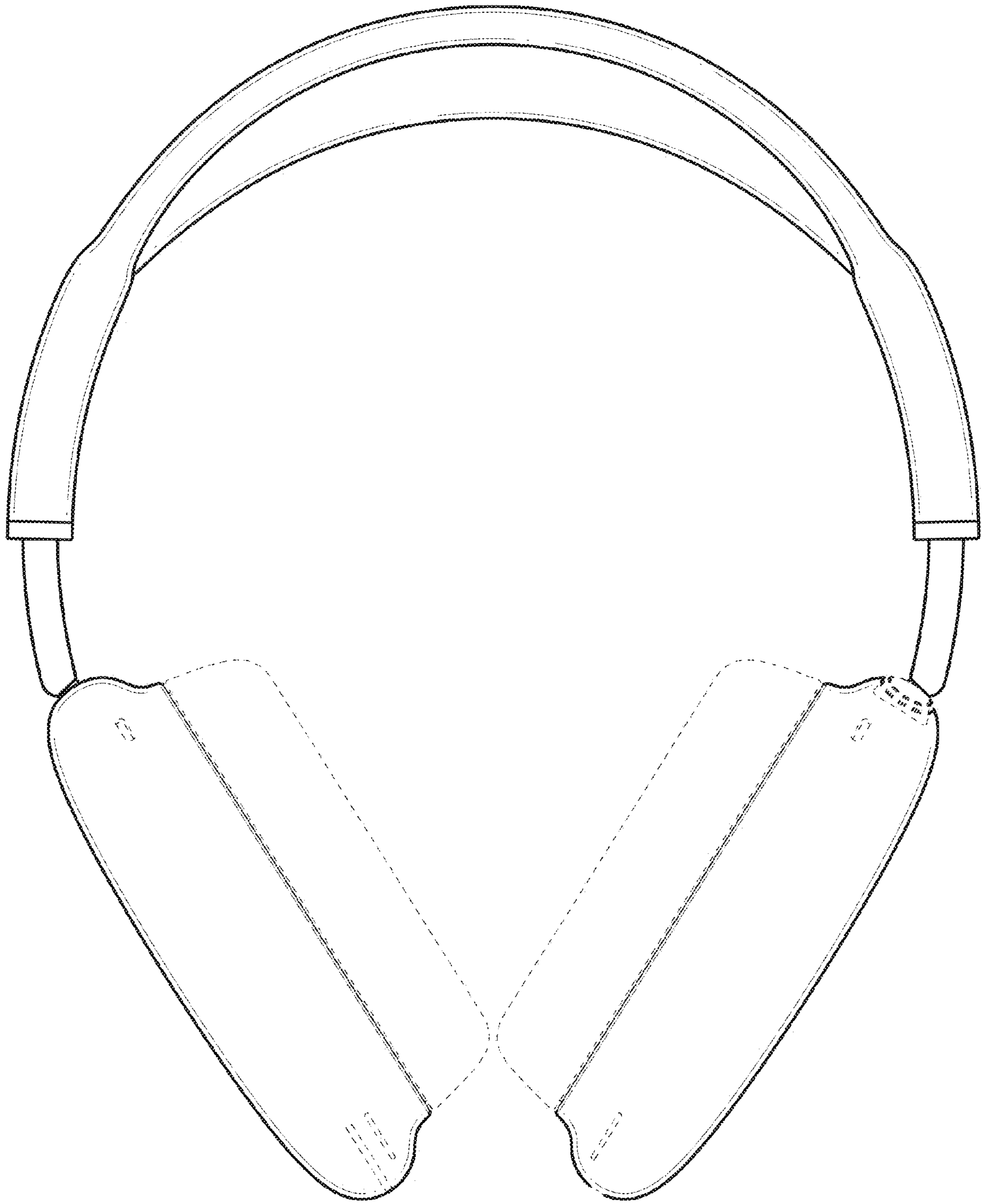


FIG. 3

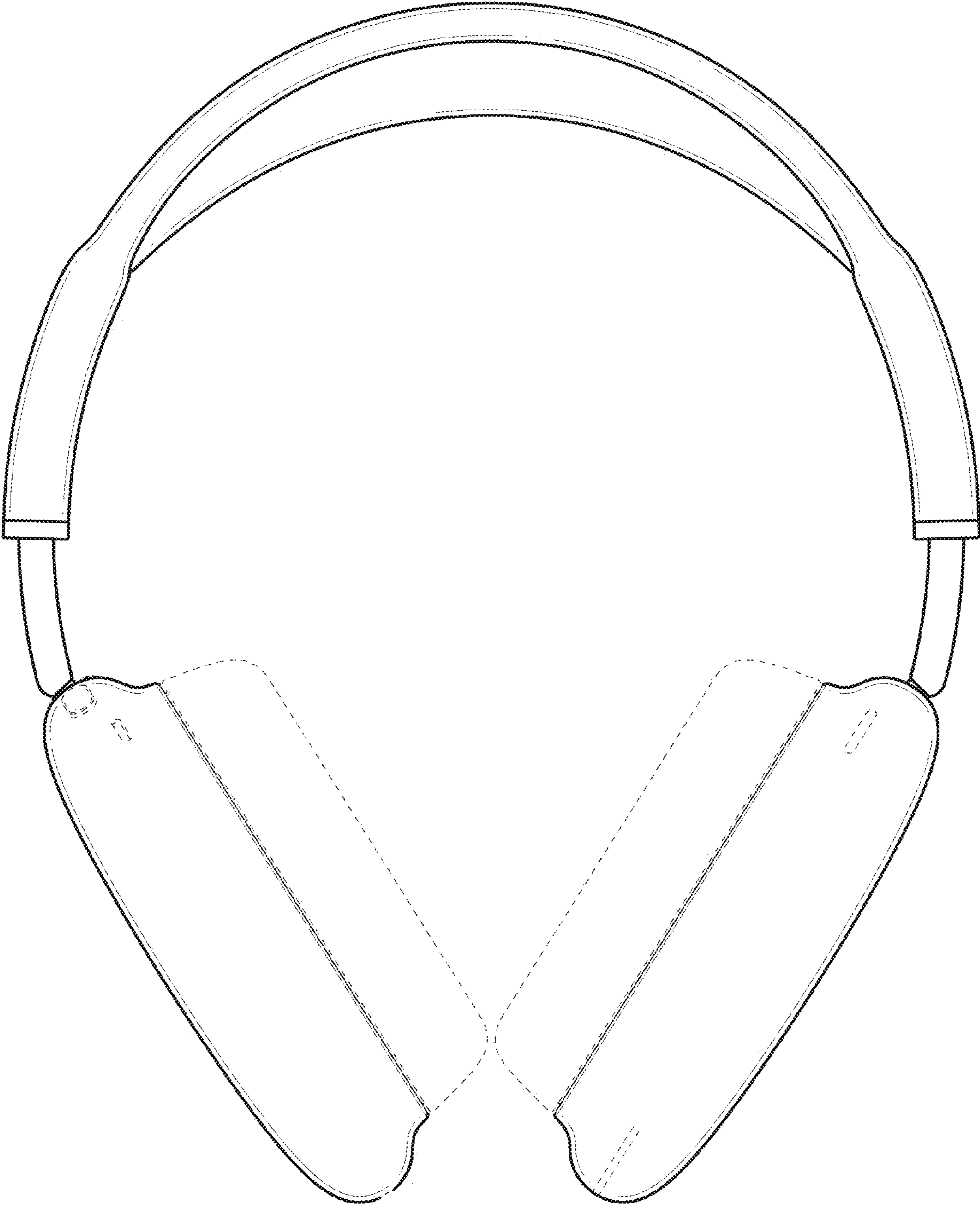


FIG. 4

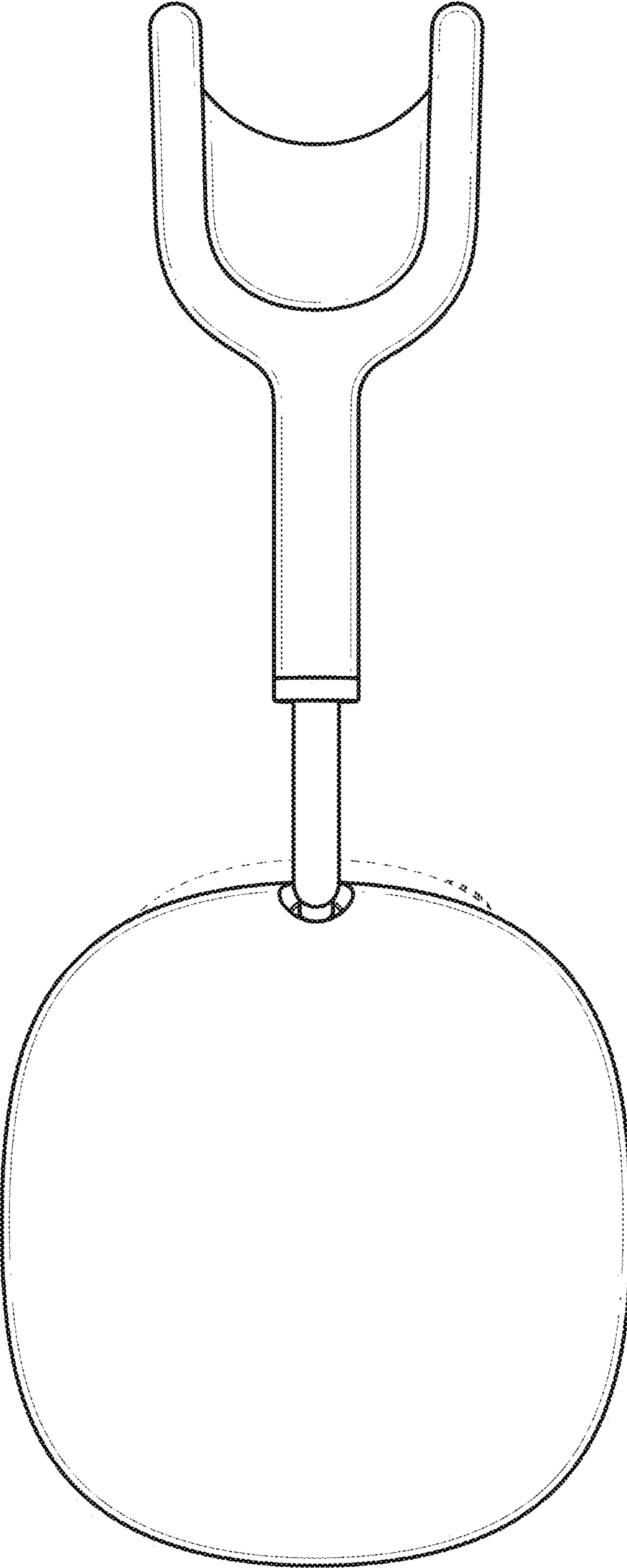


FIG. 5

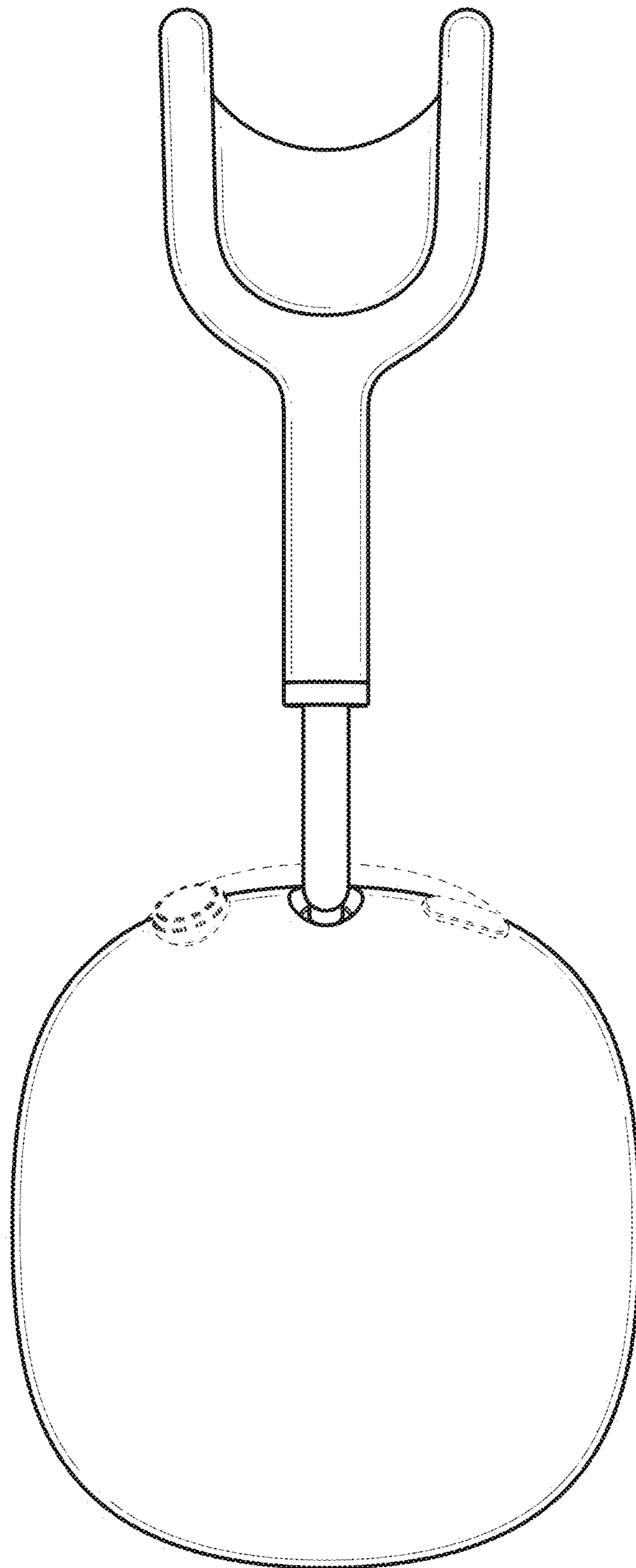


FIG. 6

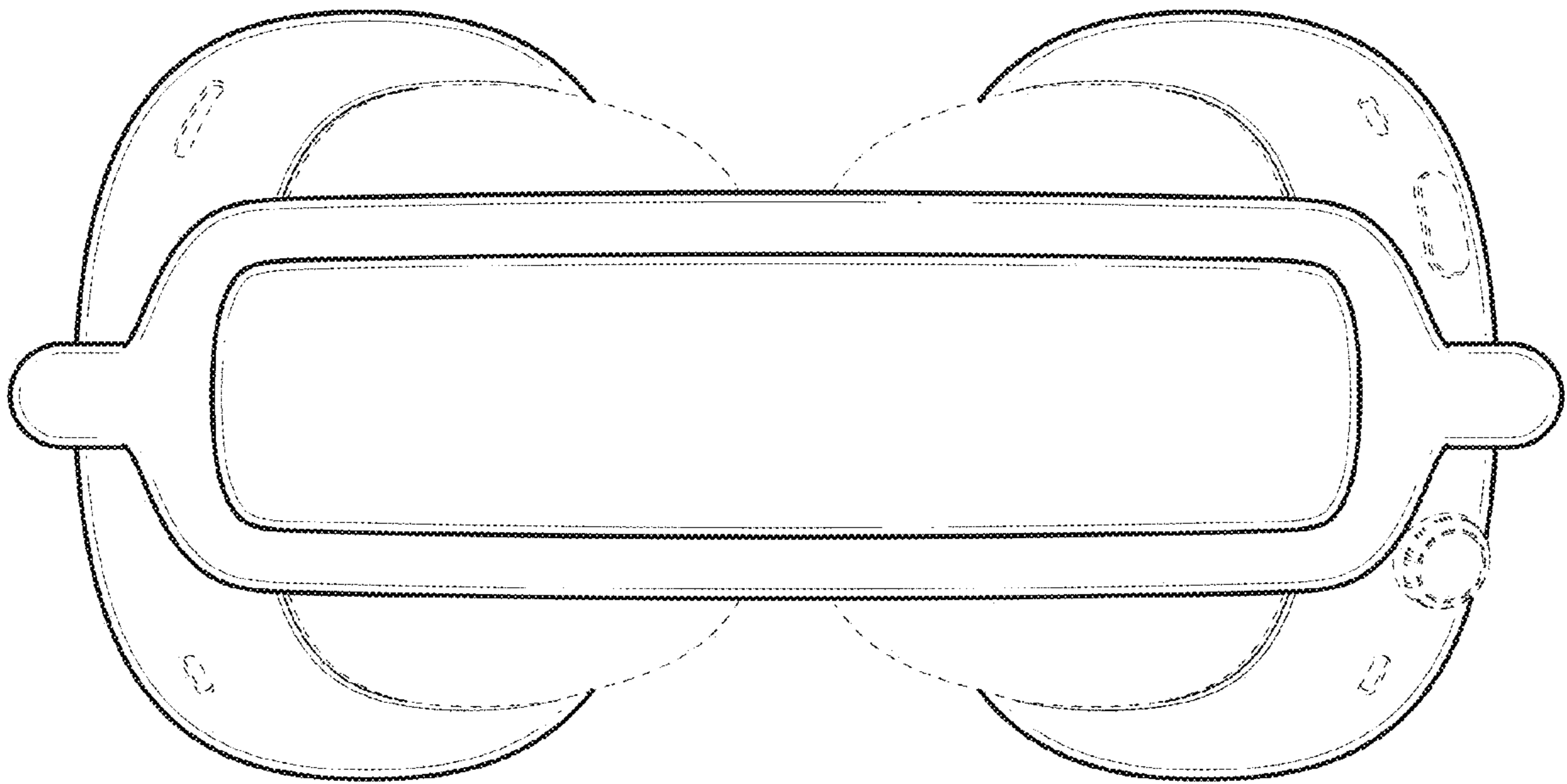


FIG. 7

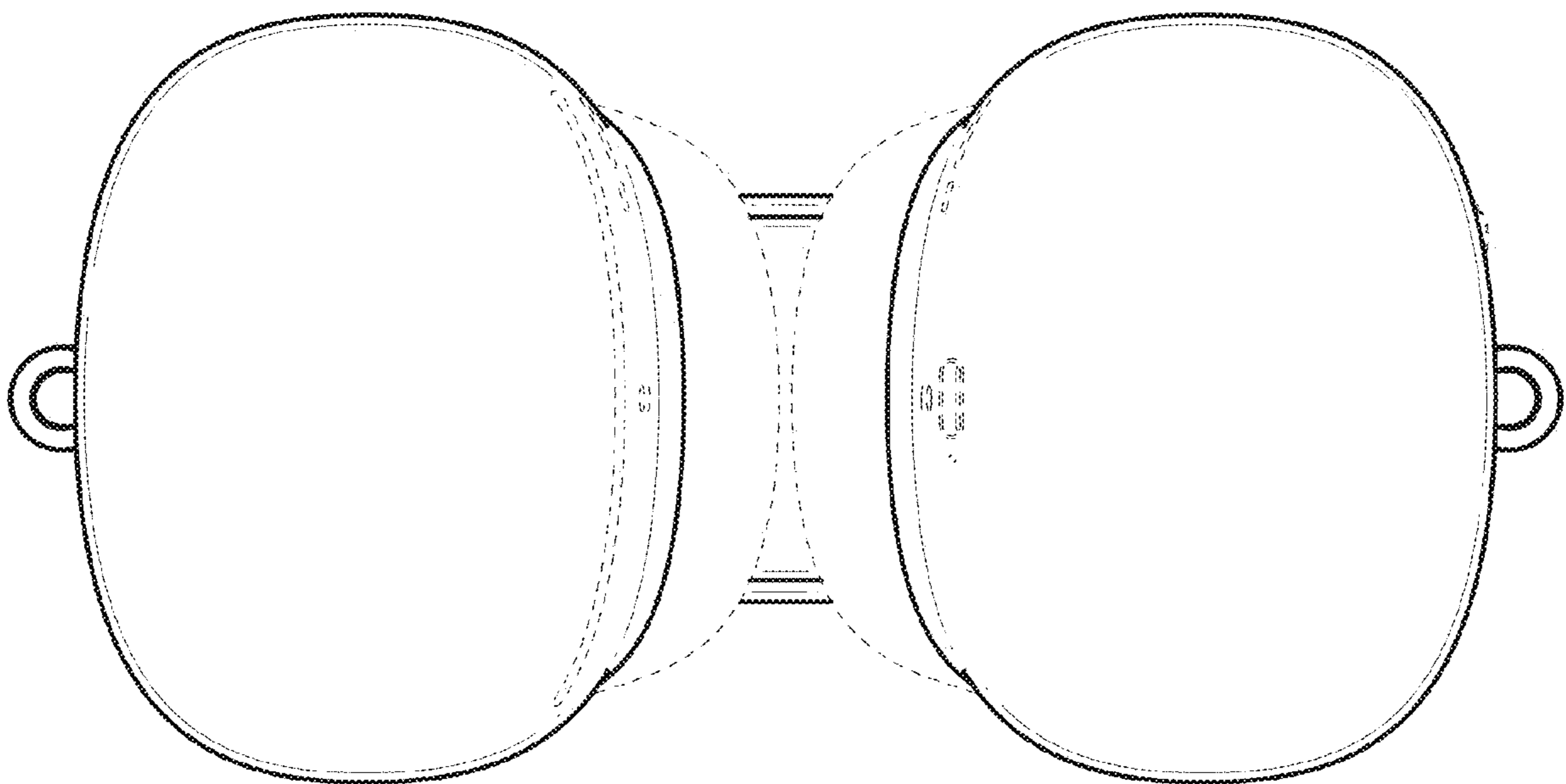


FIG. 8