



US00D953288S

(12) **United States Design Patent**  
**Akana et al.**

(10) **Patent No.:** **US D953,288 S**

(45) **Date of Patent:** **\*\* May 31, 2022**

(54) **COMPONENT FOR A HEADPHONE**

(71) Applicant: **Apple Inc.**, Cupertino, CA (US)

(72) Inventors: **Jody Akana**, San Francisco, CA (US); **Molly Anderson**, San Francisco, CA (US); **Bartley K. Andre**, Palo Alto, CA (US); **Shota Aoyagi**, San Francisco, CA (US); **Anthony Michael Ashcroft**, San Francisco, CA (US); **Marine C. Bataille**, San Francisco, CA (US); **Jeremy Bataillou**, San Francisco, CA (US); **Abidur Rahman Chowdhury**, San Francisco, CA (US); **Clara Geneviève Marine Courtaigne**, Palo Alto, CA (US); **Markus Diebel**, San Francisco, CA (US); **Jonathan Gomez Garcia**, San Francisco, CA (US); **M. Evans Hankey**, San Francisco, CA (US); **Richard P. Howarth**, San Francisco, CA (US); **Jonathan P. Ive**, San Francisco, CA (US); **Julian Jaede**, San Francisco, CA (US); **Duncan Robert Kerr**, San Francisco, CA (US); **Peter Russell-Clarke**, San Francisco, CA (US); **Benjamin Andrew Shaffer**, San Jose, CA (US); **Joe Sung-Ho Tan**, San Francisco, CA (US); **Clement Tissandier**, San Francisco, CA (US); **Eugene Antony Whang**, San Francisco, CA (US)

(73) Assignee: **Apple Inc.**, Cupertino, CA (US)

(\*\*) Term: **15 Years**

(21) Appl. No.: **29/739,074**

(22) Filed: **Jun. 22, 2020**

(51) **LOC (13) Cl.** ..... **14-01**

(52) **U.S. Cl.**  
USPC ..... **D14/205**

(58) **Field of Classification Search**

USPC ..... D14/205, 188, 192, 249, 240; D29/112;  
2/209, 423, 174; 181/157; 379/430;  
(Continued)

(56) **References Cited**

U.S. PATENT DOCUMENTS

2,846,521 A \* 8/1958 Beidler ..... H04M 1/05  
381/374  
2,946,862 A \* 7/1960 Wadsworth ..... H04M 1/05  
381/72

(Continued)

FOREIGN PATENT DOCUMENTS

EM 002296970-0004 \* 8/2013  
EM 008205074-0001 \* 10/2020

(Continued)

*Primary Examiner* — Paula Allen Greene

(74) *Attorney, Agent, or Firm* — Sterne, Kessler, Goldstein & Fox P.L.L.C.

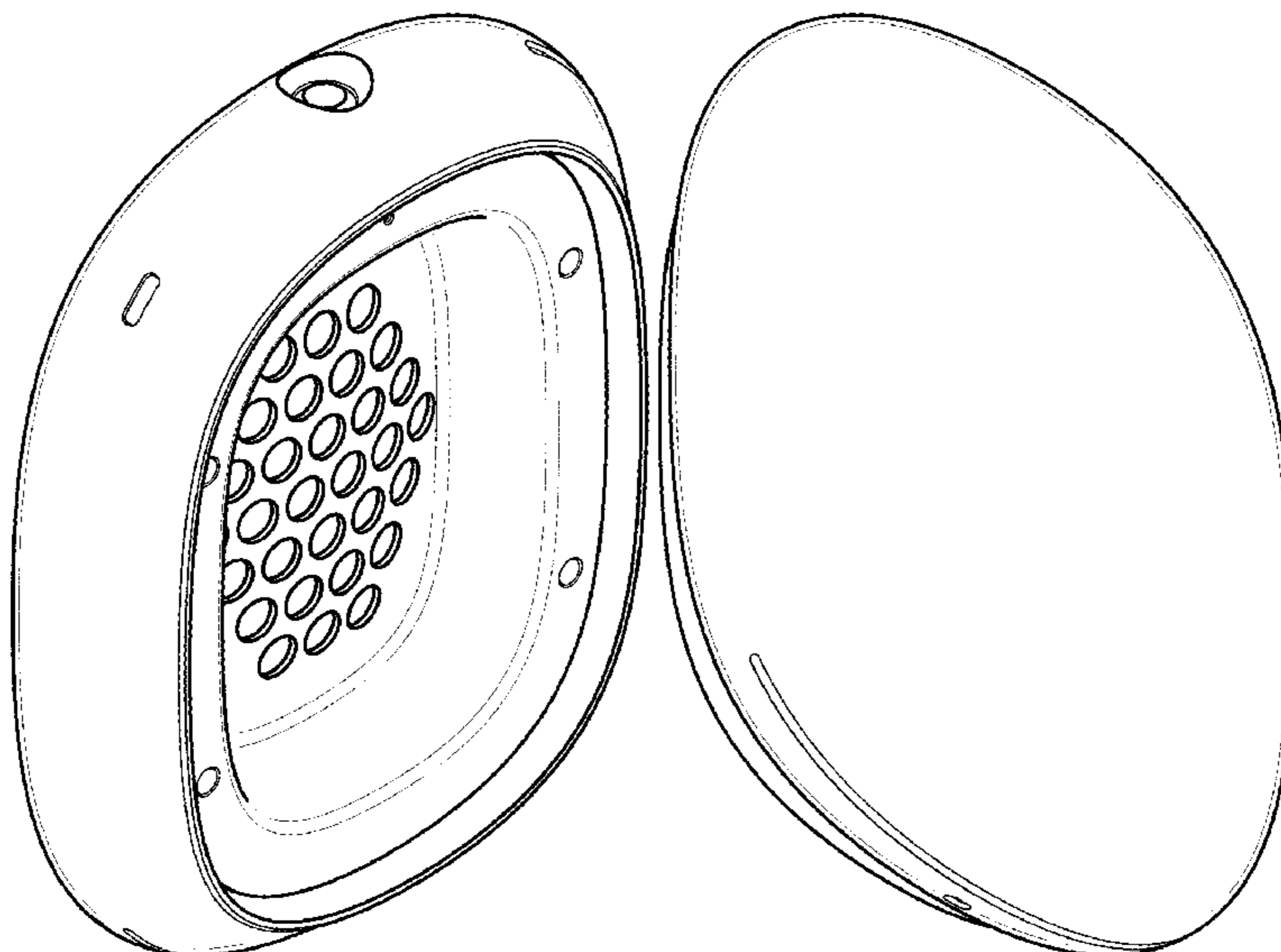
(57) **CLAIM**

The ornamental design for a component for a headphone, as shown and described.

**DESCRIPTION**

FIG. 1 is a top front perspective view of a component for a headphone showing the claimed design;  
FIG. 2 is a bottom rear perspective view thereof;  
FIG. 3 is a front view thereof;  
FIG. 4 is a rear view thereof;  
FIG. 5 is a left side view thereof;  
FIG. 6 is a right side view thereof;  
FIG. 7 is a top view thereof; and,  
FIG. 8 is a bottom view thereof.

**1 Claim, 6 Drawing Sheets**



(58) **Field of Classification Search**

USPC ..... 381/370, 371, 373, 374–376, 378;  
455/90.3, 575.1, 569.1  
CPC ..... H04R 25/00; H04R 25/02; H04R 1/1066;  
H04R 1/1016; H04R 5/033; H04R  
5/0335; H04R 1/105; H04R 1/1091;  
H04R 1/008; H04R 1/10  
See application file for complete search history.

(56) **References Cited**

U.S. PATENT DOCUMENTS

3,335,720 A \* 8/1967 Aileo ..... A61F 11/14  
128/866  
3,457,376 A \* 7/1969 Prescott ..... H04M 1/05  
379/430  
3,596,733 A \* 8/1971 Bertagni ..... H04R 7/04  
381/431  
3,609,240 A \* 9/1971 Fixler ..... H04R 1/1075  
381/19  
3,681,540 A \* 8/1972 Thomson ..... H04R 1/1066  
381/378  
3,787,899 A \* 1/1974 Krawagna ..... H04R 1/1066  
2/209  
4,058,688 A \* 11/1977 Nishimura ..... H04R 1/1008  
381/372  
D254,616 S 4/1980 Tabata  
4,302,635 A \* 11/1981 Jacobsen ..... H04R 1/1058  
381/371  
4,418,248 A \* 11/1983 Mathis ..... H04R 1/26  
381/190  
4,499,593 A \* 2/1985 Antle ..... H04R 1/1066  
381/309  
4,917,504 A \* 4/1990 Scott ..... H04M 1/05  
381/330  
5,018,599 A \* 5/1991 Dohi ..... H04R 1/1008  
181/129  
5,446,788 A \* 8/1995 Lucey ..... H04M 1/05  
379/430

6,075,857 A \* 6/2000 Doss, Jr. .... A42B 3/30  
379/430  
6,611,963 B2 \* 9/2003 Woo ..... A61F 11/14  
2/209  
7,388,960 B2 \* 6/2008 Kuo ..... H04R 1/1041  
379/430  
7,391,863 B2 \* 6/2008 Viduya ..... H04M 1/05  
379/430  
D613,266 S \* 4/2010 Barry ..... D14/205  
7,983,437 B2 \* 7/2011 Wong ..... H04R 1/1075  
381/370  
9,031,254 B2 \* 5/2015 Heise ..... H04R 1/1066  
381/74  
D775,605 S 1/2017 Lee et al.  
9,706,281 B2 \* 7/2017 Hernandez Vazquez .....  
H04R 1/08  
D814,439 S 4/2018 Birath et al.  
D830,993 S 10/2018 Petersen et al.  
D842,270 S \* 3/2019 Chen ..... D14/205  
D876,388 S 2/2020 Carr et al.  
D900,783 S \* 11/2020 Levine ..... D14/205  
D916,680 S \* 4/2021 Akana ..... D14/205  
D926,725 S \* 8/2021 Akana ..... D14/205  
D937,806 S \* 12/2021 Akana ..... D14/205  
2011/0206216 A1 \* 8/2011 Brunner ..... H04R 1/1066  
381/74  
2016/0198251 A1 \* 7/2016 Pan ..... H04R 1/105  
381/74  
2022/0014837 A1 \* 1/2022 Kikuchi ..... H04R 1/1091

FOREIGN PATENT DOCUMENTS

IN 334368-001-0001 \* 10/2020  
JP D1691873 \* 7/2021  
KR 301121827.0000 \* 7/2021  
KR 301122646.0000 \* 7/2021  
TW 214800-0001 \* 4/2020  
TW 214803-0001 \* 8/2020  
TW 214804-0001 \* 10/2020  
TW 214805-0001 \* 10/2020  
TW 214806-0001 \* 10/2020

\* cited by examiner

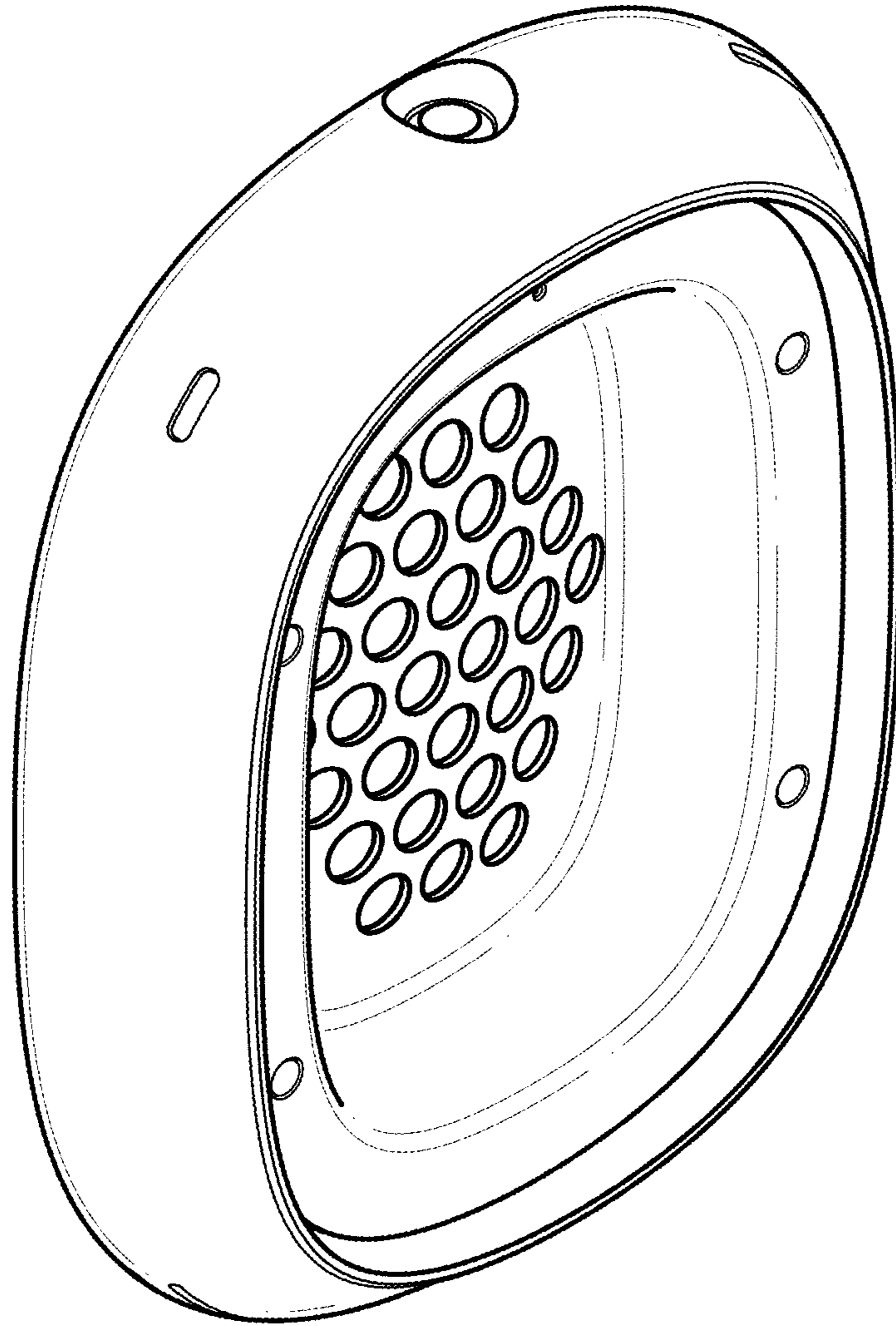


FIG. 1

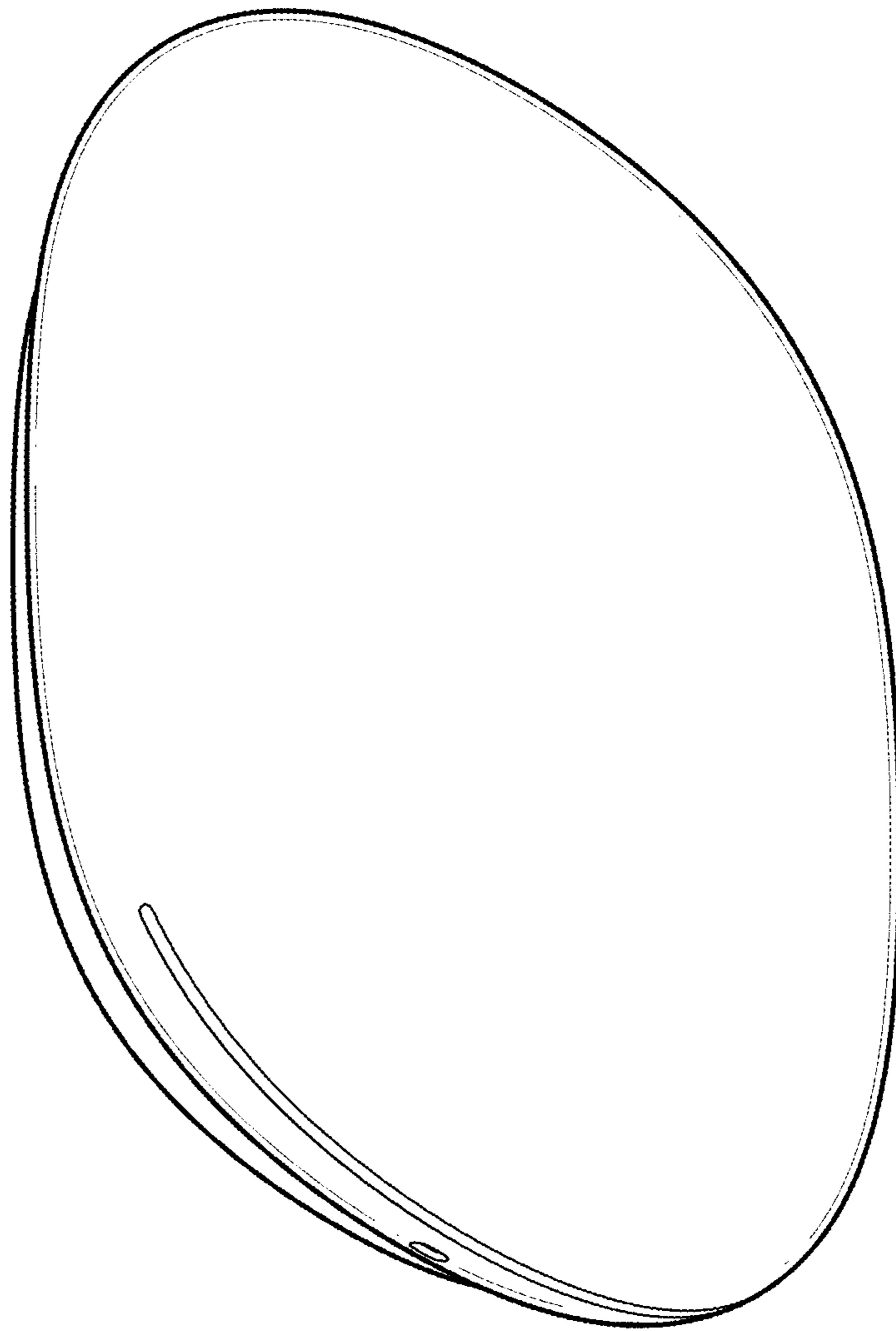


FIG. 2

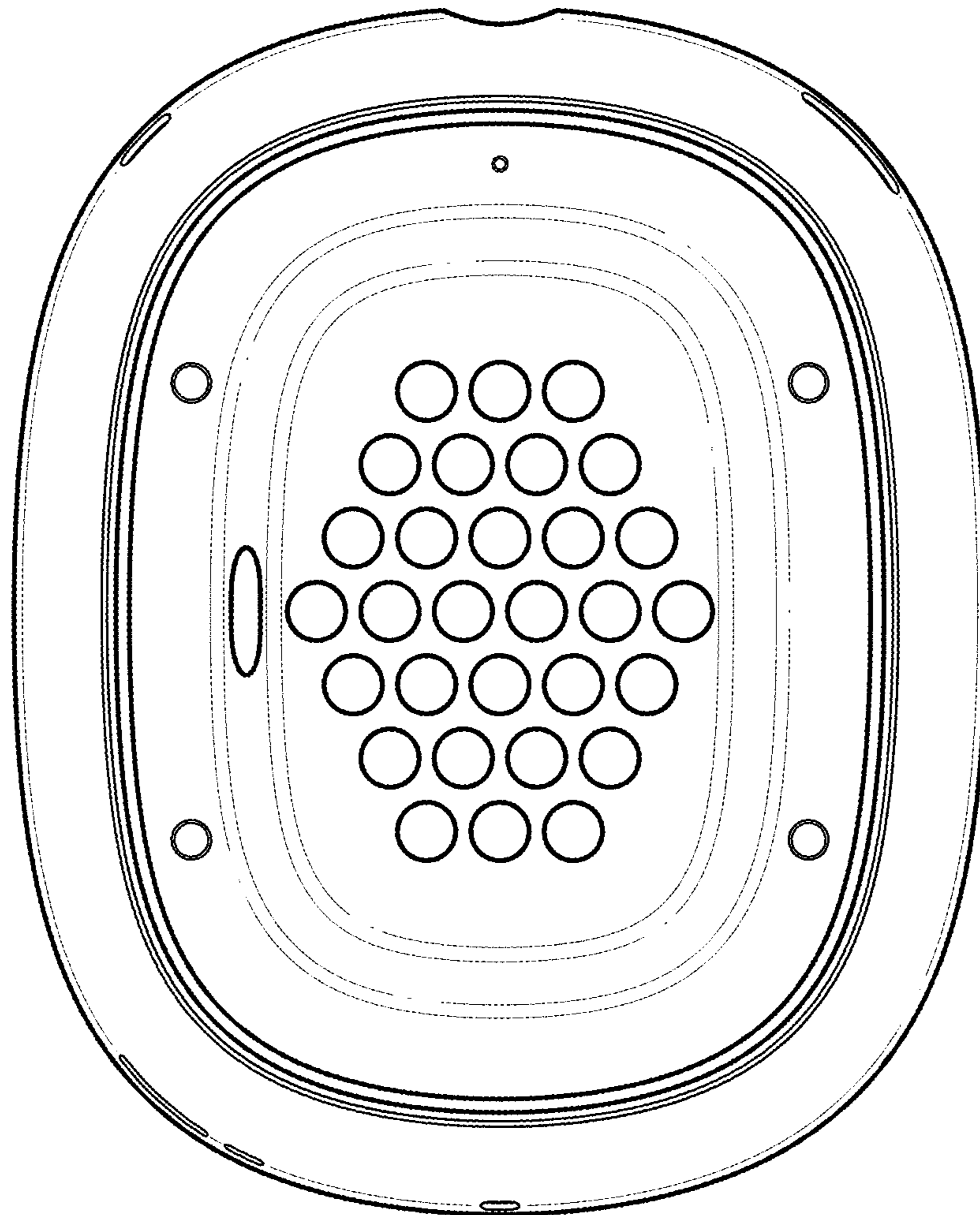
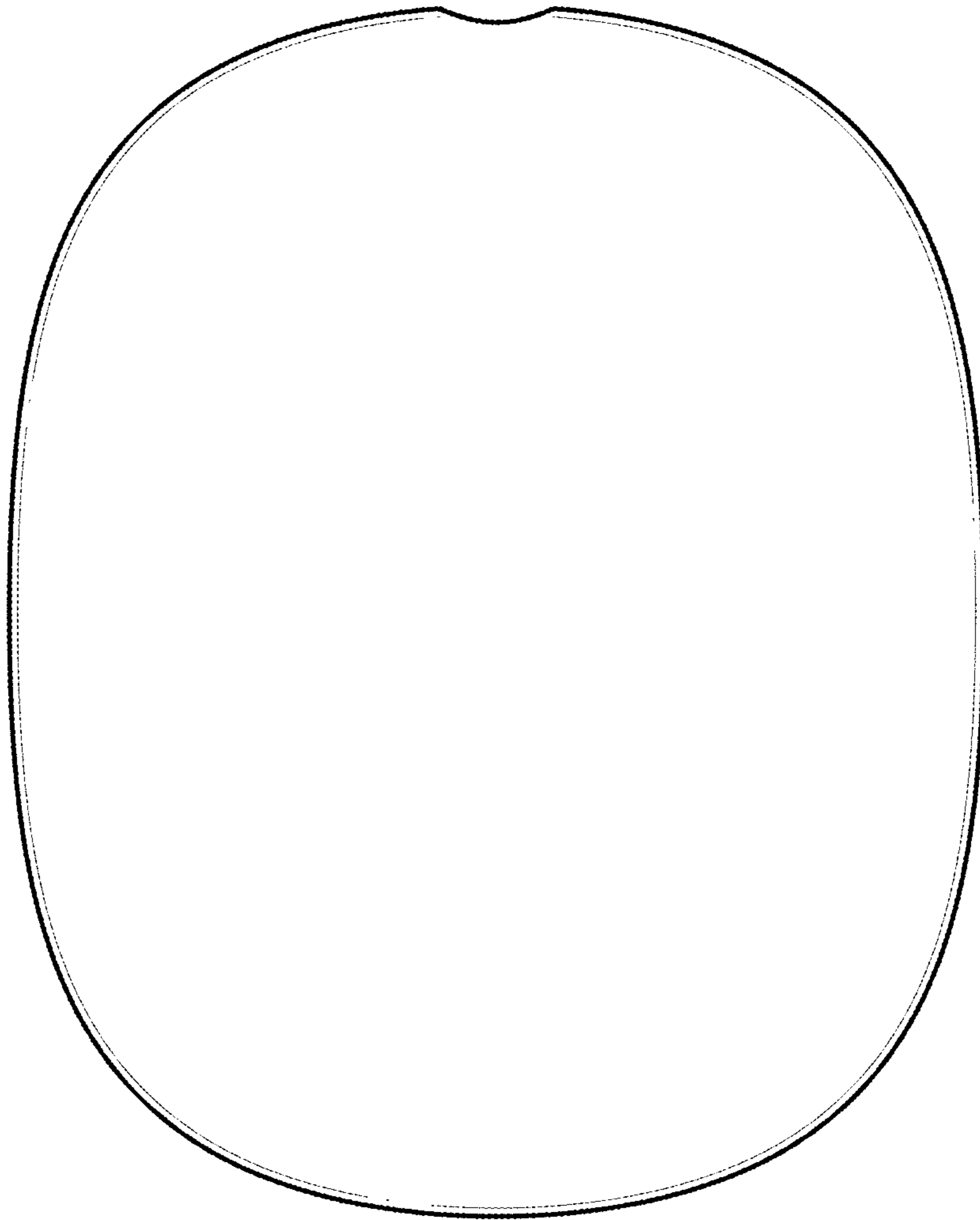
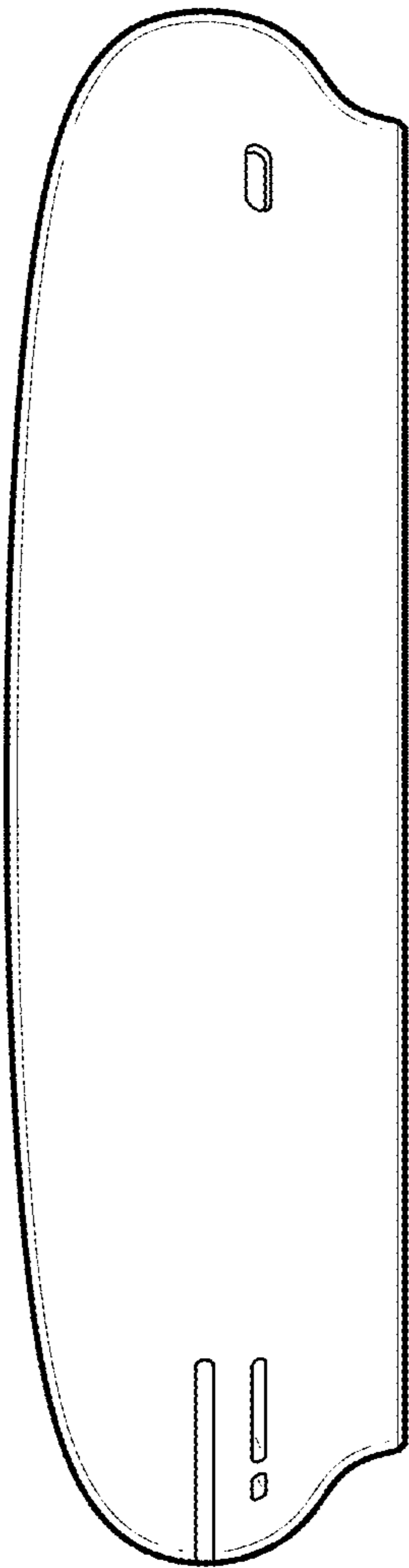


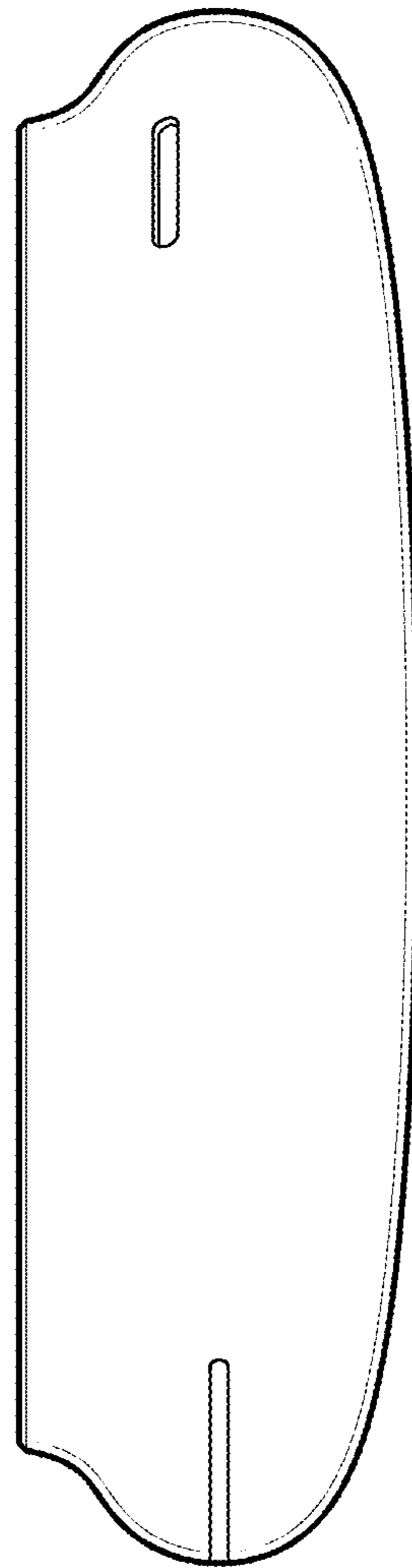
FIG. 3



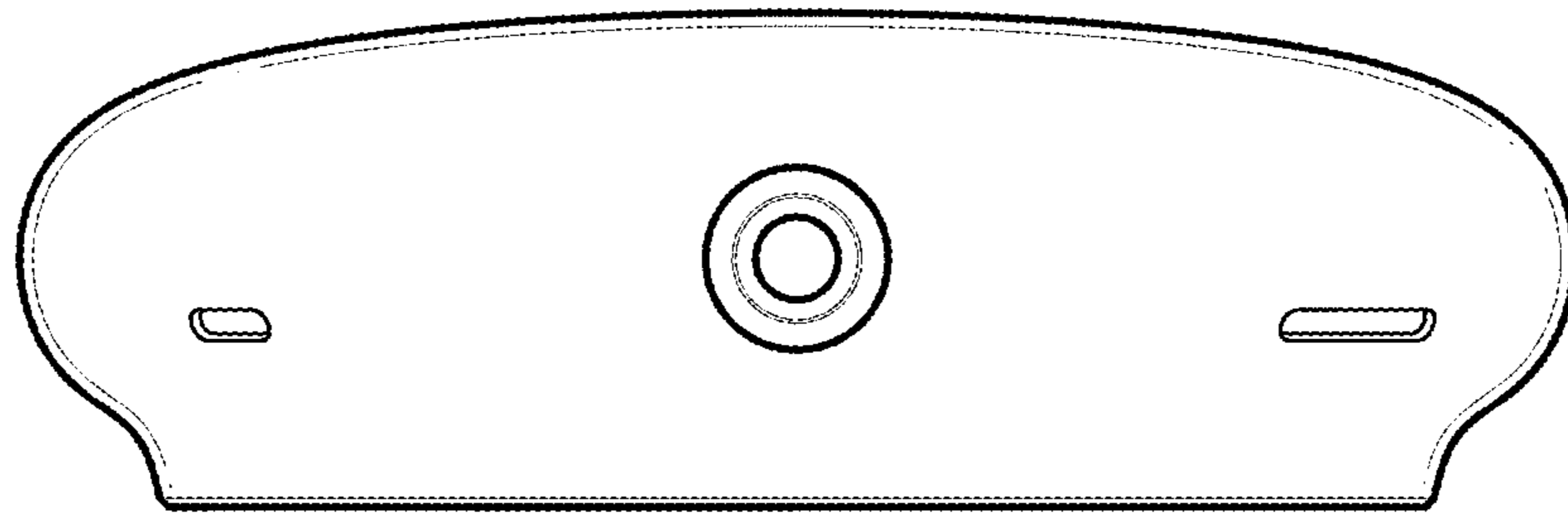
**FIG. 4**



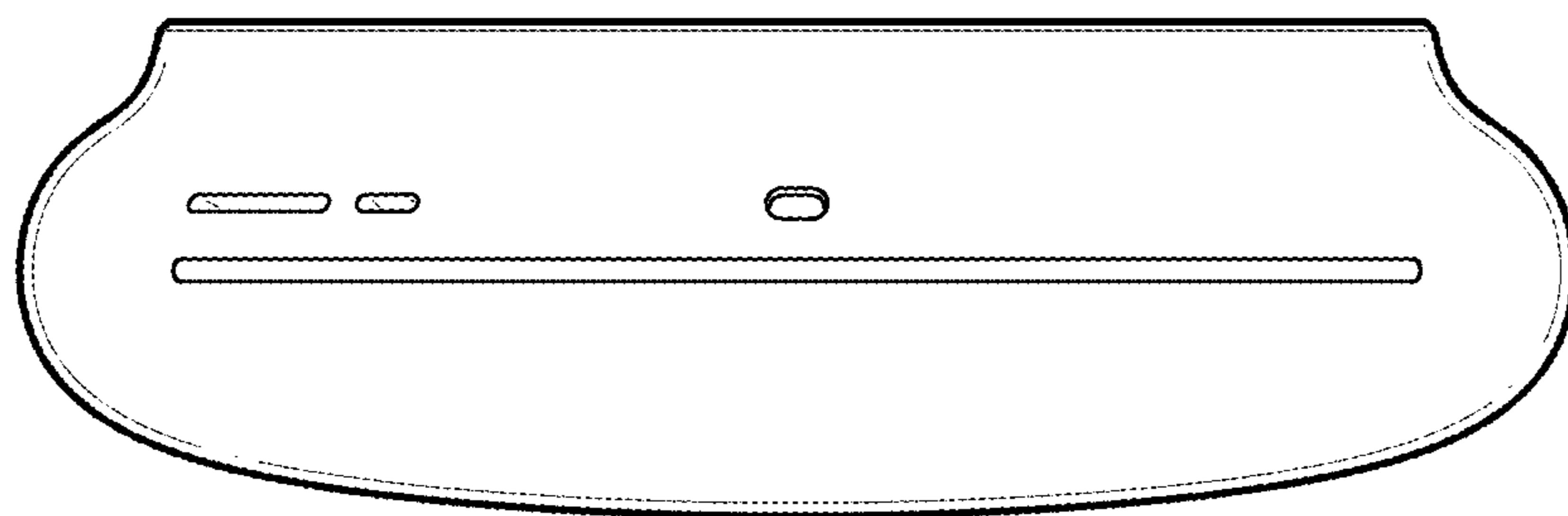
**FIG. 5**



**FIG. 6**



**FIG. 7**



**FIG. 8**