



US00D953286S

(12) **United States Design Patent** (10) **Patent No.:** **US D953,286 S**
Kim et al. (45) **Date of Patent:** **** May 31, 2022**

(54) **AV BOX FOR TELEVISION RECEIVER** 7,545,946 B2 * 6/2009 Melanson H04S 7/301
 381/89
 (71) Applicant: **LG ELECTRONICS INC.**, Seoul D645,453 S * 9/2011 Kim D14/215
 (KR) D673,517 S * 1/2013 DeVesto D14/195
 D729,201 S * 5/2015 Park D14/214

(72) Inventors: **Hana Kim**, Seoul (KR); **Seala Park**,
 Seoul (KR); **Yeonjin Kim**, Seoul (KR);
Jongchul Kim, Seoul (KR)

* cited by examiner

Primary Examiner — Khawaja Anwar

Assistant Examiner — Megan Tiana Rakos

(73) Assignee: **LG ELECTRONICS INC.**, Seoul
 (KR)

(74) *Attorney, Agent, or Firm* — Btrch, Stewart, Kolasch
 & Birch, LLP

(**) Term: **15 Years**

(21) Appl. No.: **29/741,262**

(22) Filed: **Jul. 10, 2020**

(30) **Foreign Application Priority Data**

Jan. 21, 2020 (KR) 30-2020-0002940

(51) **LOC (13) Cl.** **14-01**

(52) **U.S. Cl.**

USPC **D14/204**

(58) **Field of Classification Search**

USPC D14/168, 171, 172, 210, 204, 211, 212,
D14/215

CPC H04R 1/26; H04R 1/345; H04R 1/025;
H04R 1/30; H04R 1/02

See application file for complete search history.

(56) **References Cited**

U.S. PATENT DOCUMENTS

D90,945 S * 10/1933 Glassberg D10/2
 D587,239 S * 2/2009 Raisanen D14/188

(57) **CLAIM**

We claim the ornamental design for an AV box for television receiver, as shown and described.

DESCRIPTION

FIG. 1 is a front perspective view of an AV box for television receiver showing the new design;
 FIG. 2 is a rear perspective view thereof;
 FIG. 3 is a front elevation view thereof;
 FIG. 4 is a rear elevation view thereof;
 FIG. 5 is a left-side elevation view thereof;
 FIG. 6 is a right-side elevation view thereof;
 FIG. 7 is a top plan view thereof;
 FIG. 8 is a bottom plan view thereof; and,
 FIG. 9 is another perspective view showing a state of the screen being raised obliquely.

1 Claim, 9 Drawing Sheets

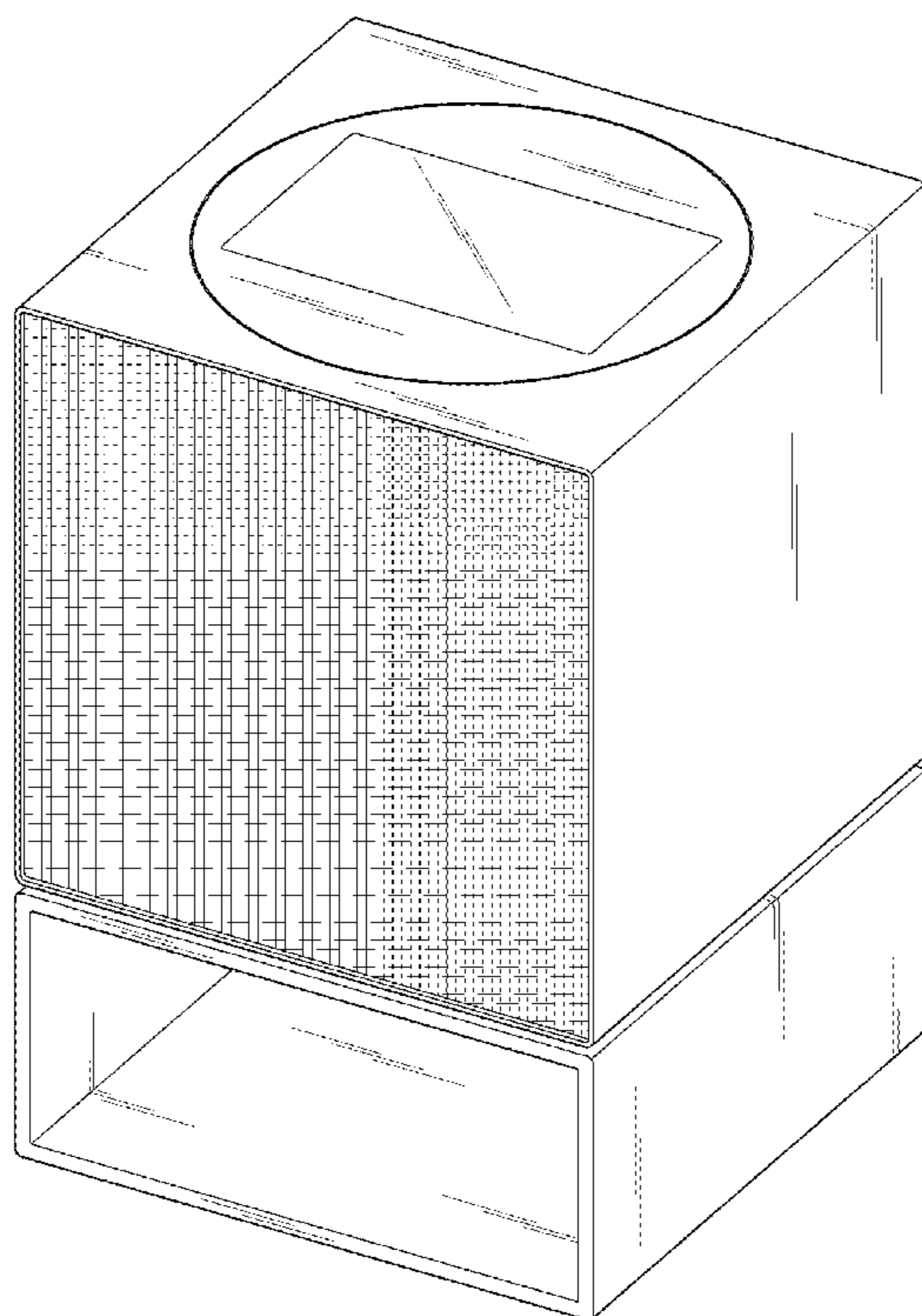


FIG. 1

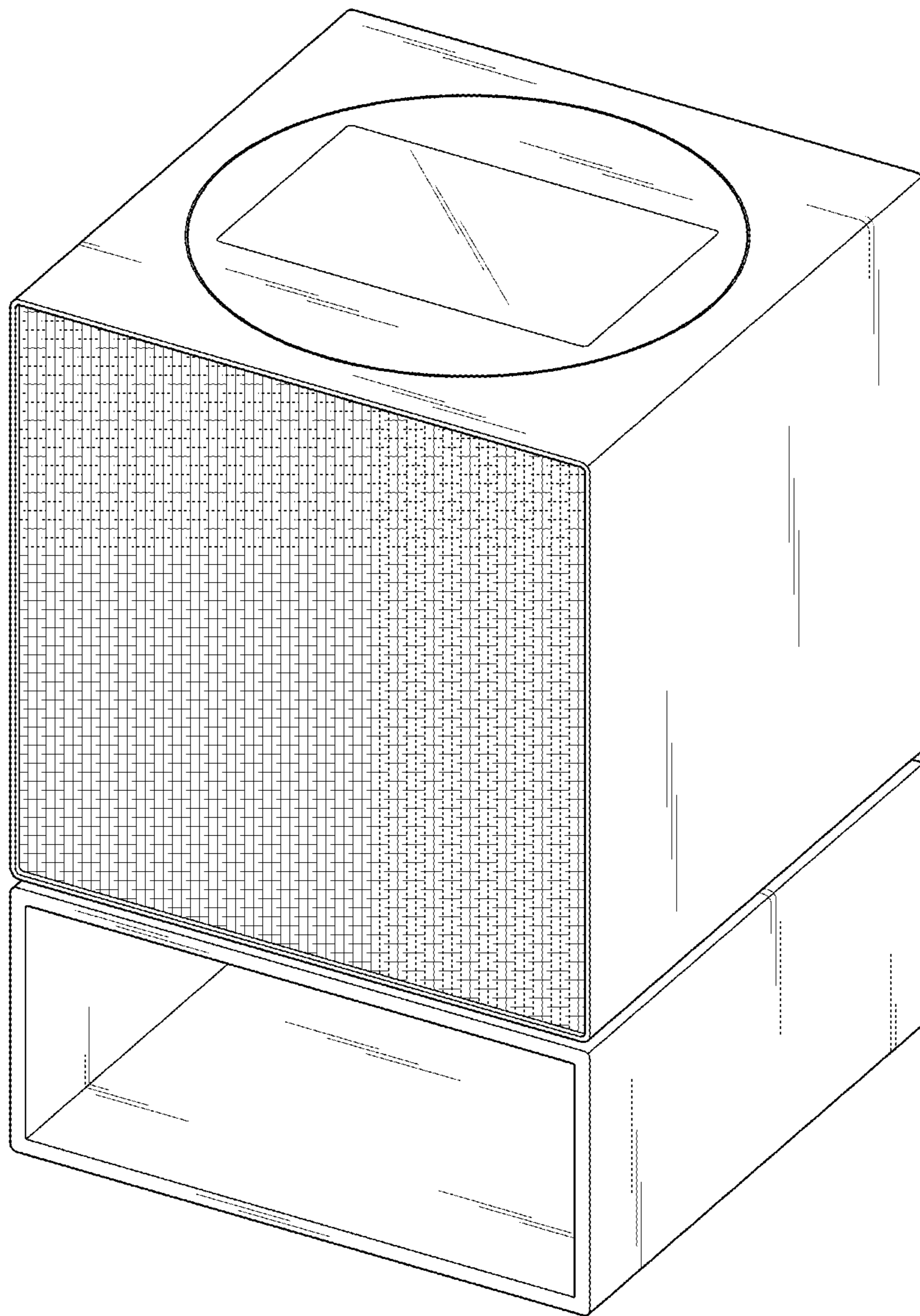


FIG. 2

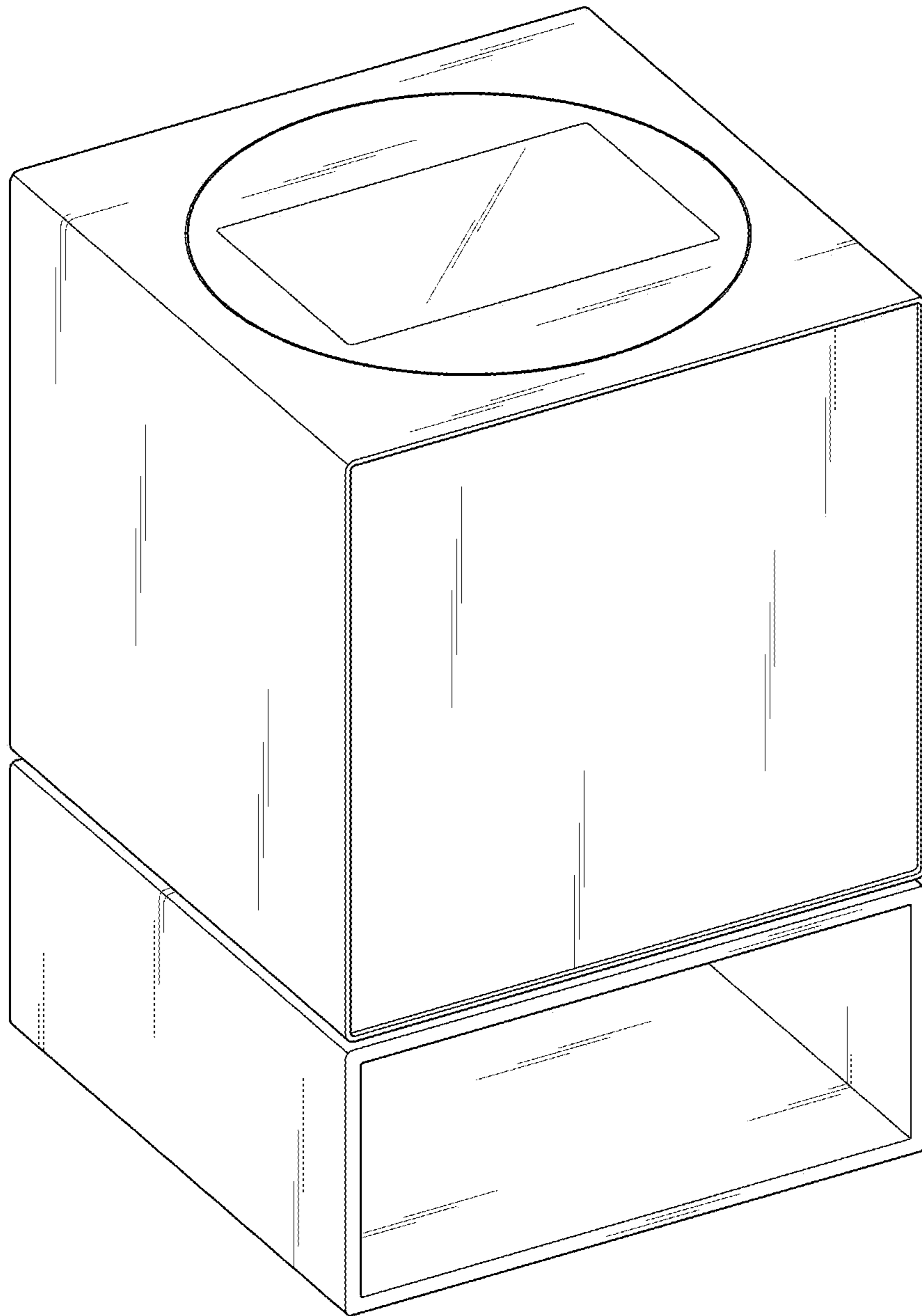


FIG. 3

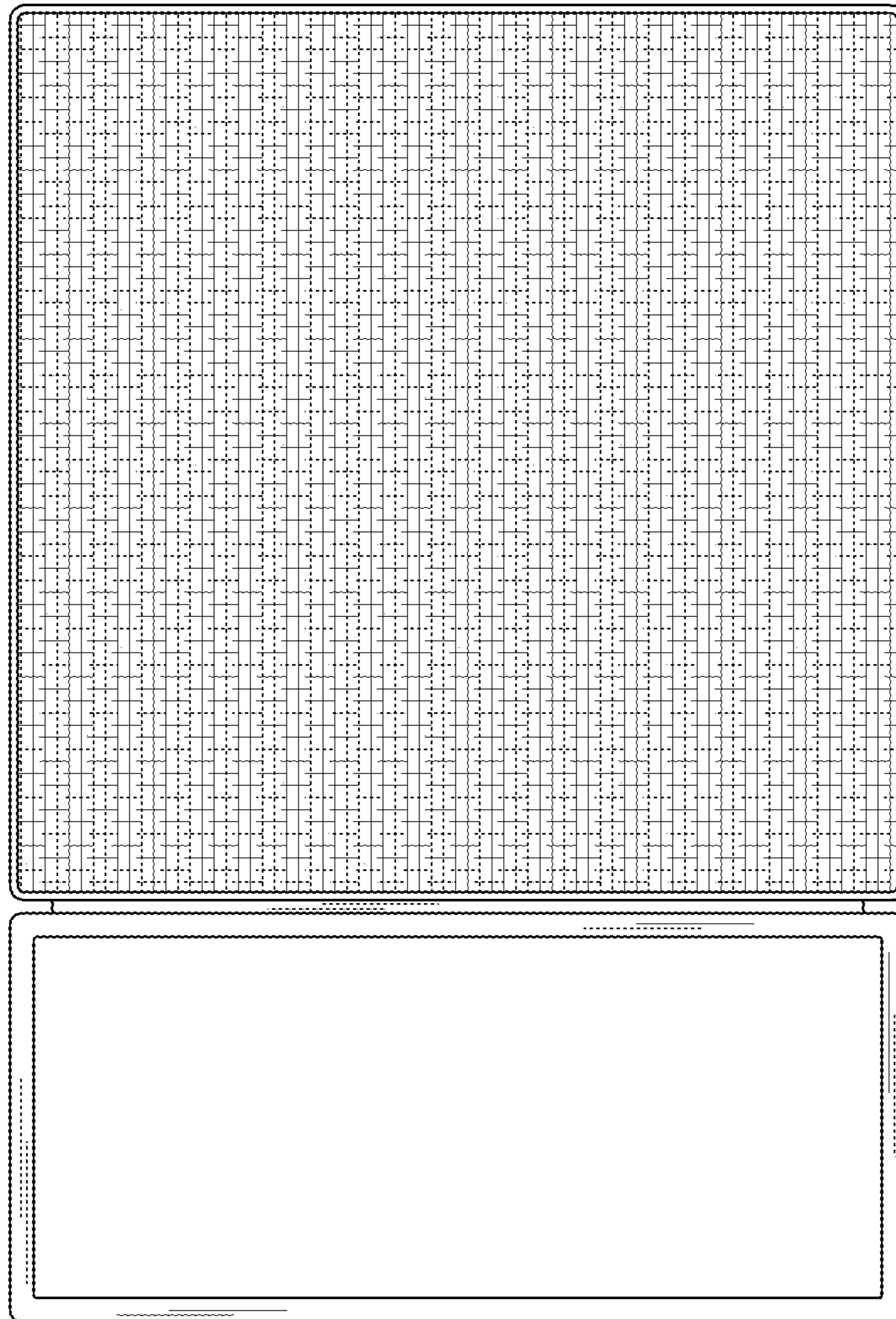


FIG. 4

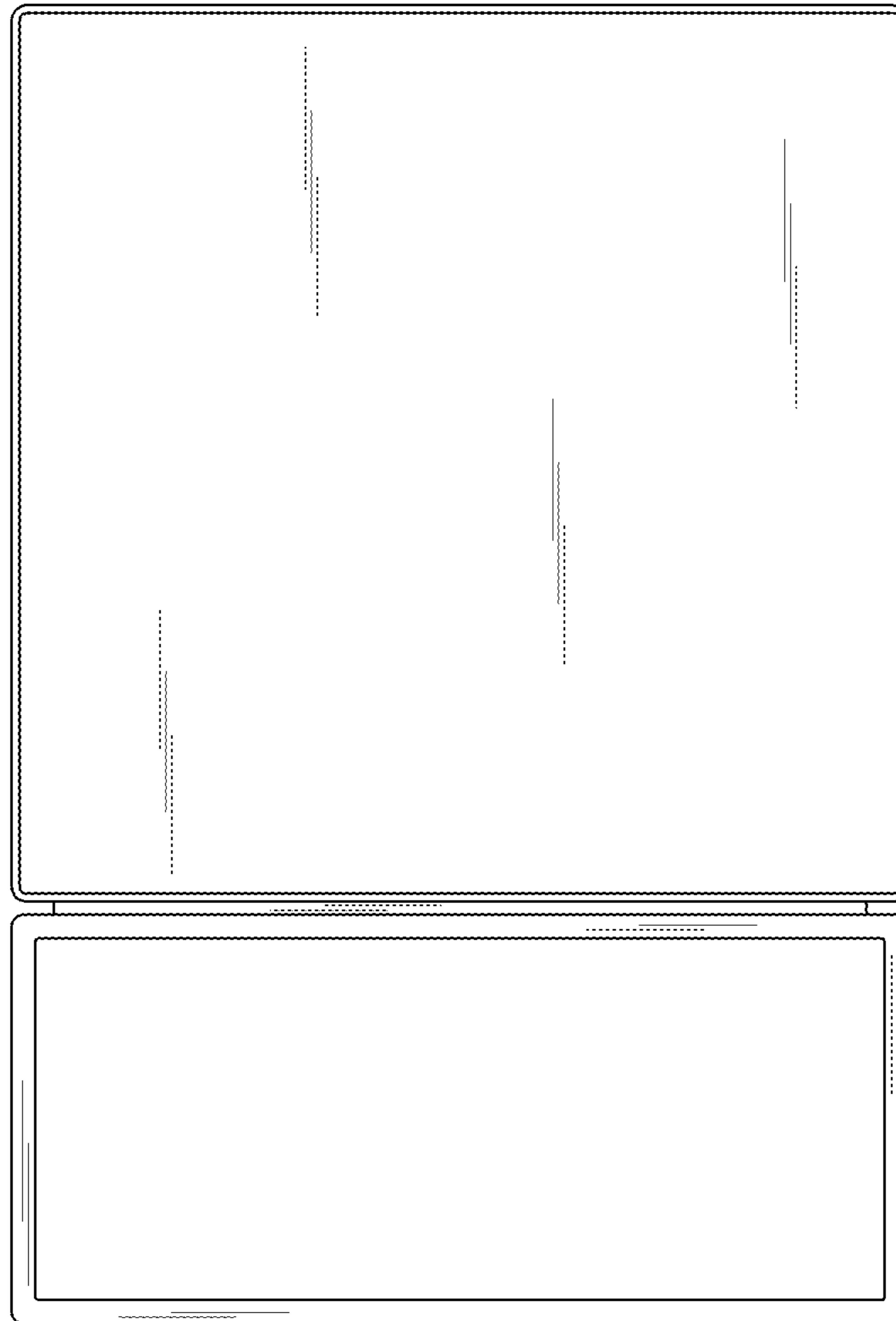


FIG. 5

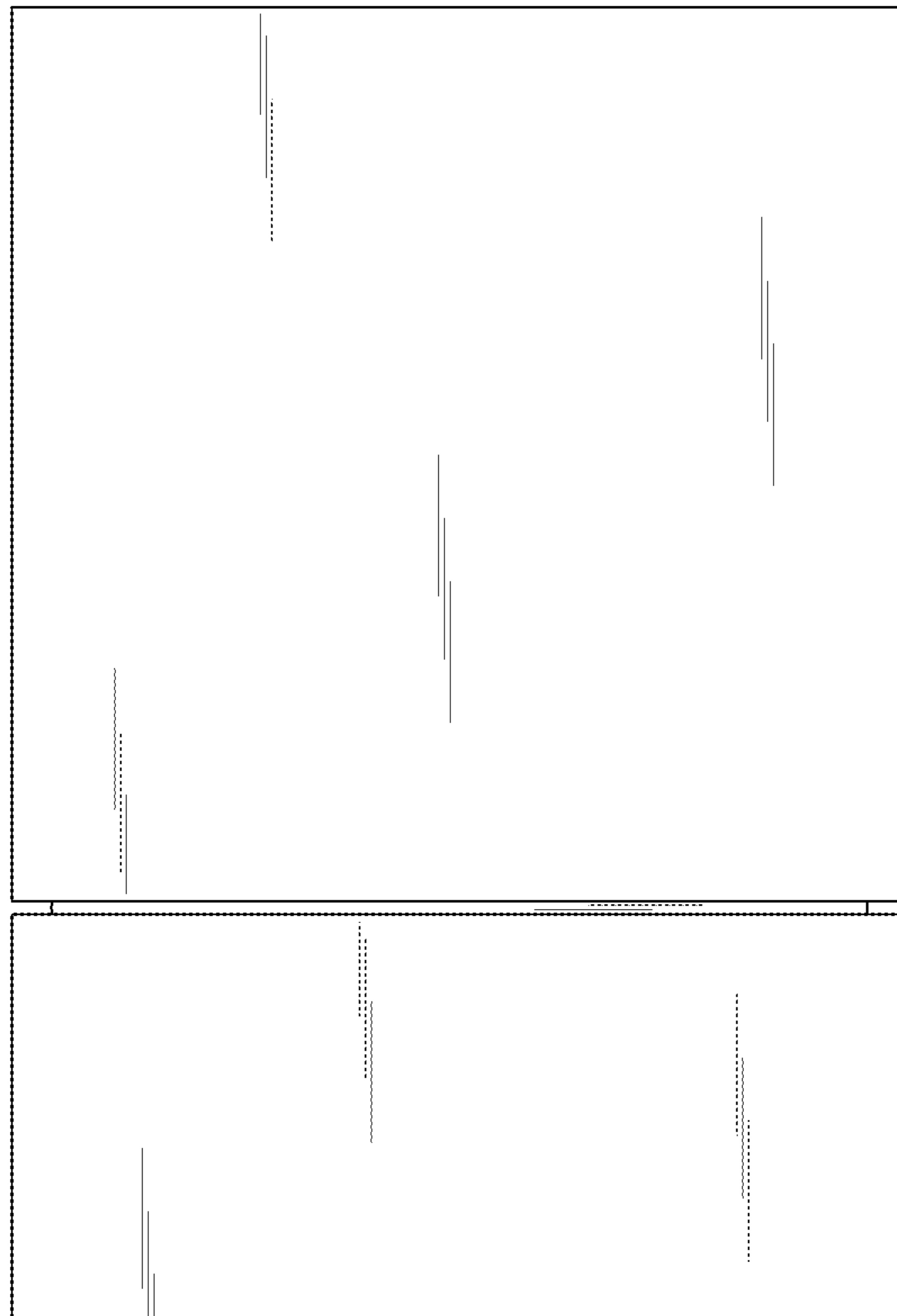


FIG. 6

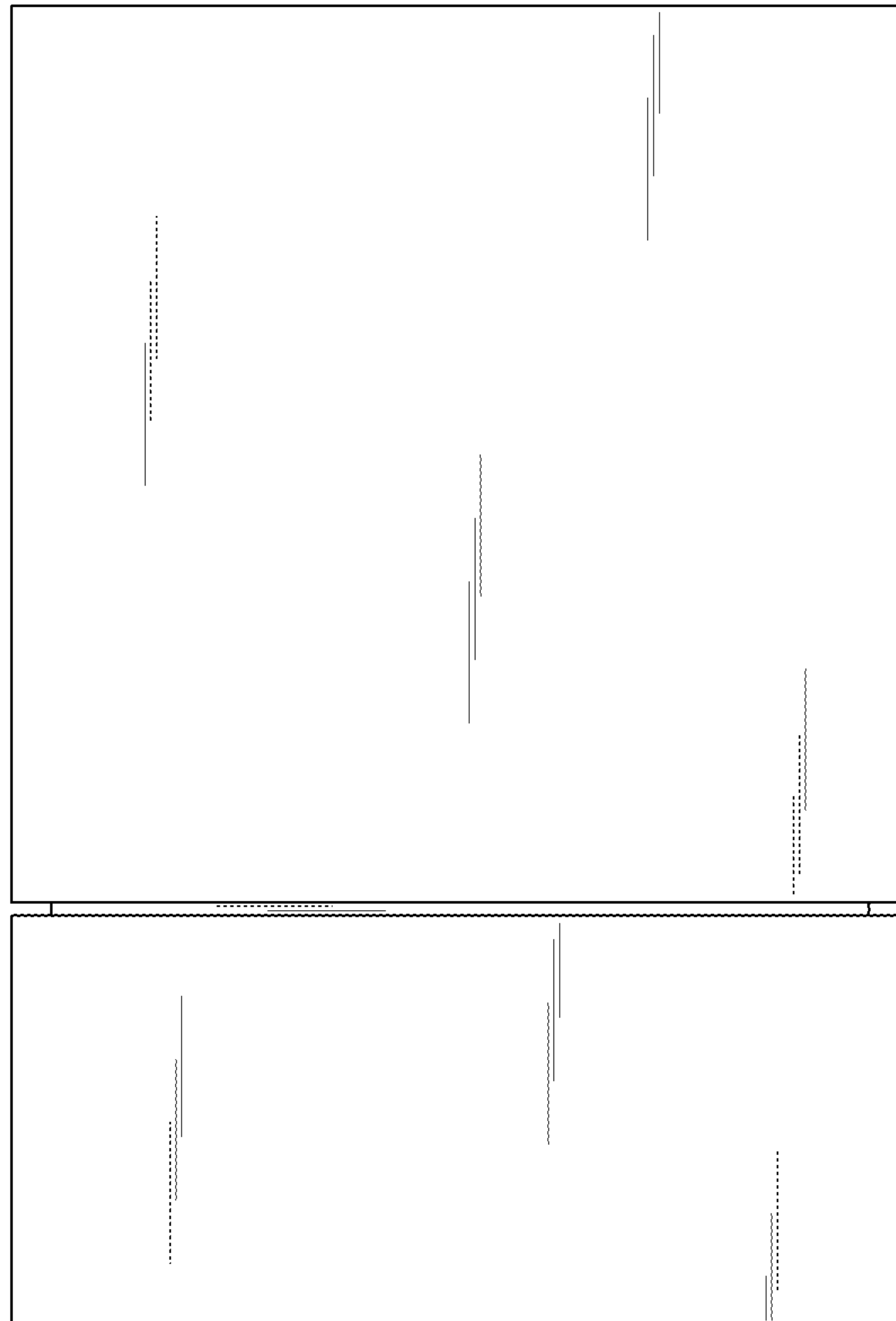


FIG. 7

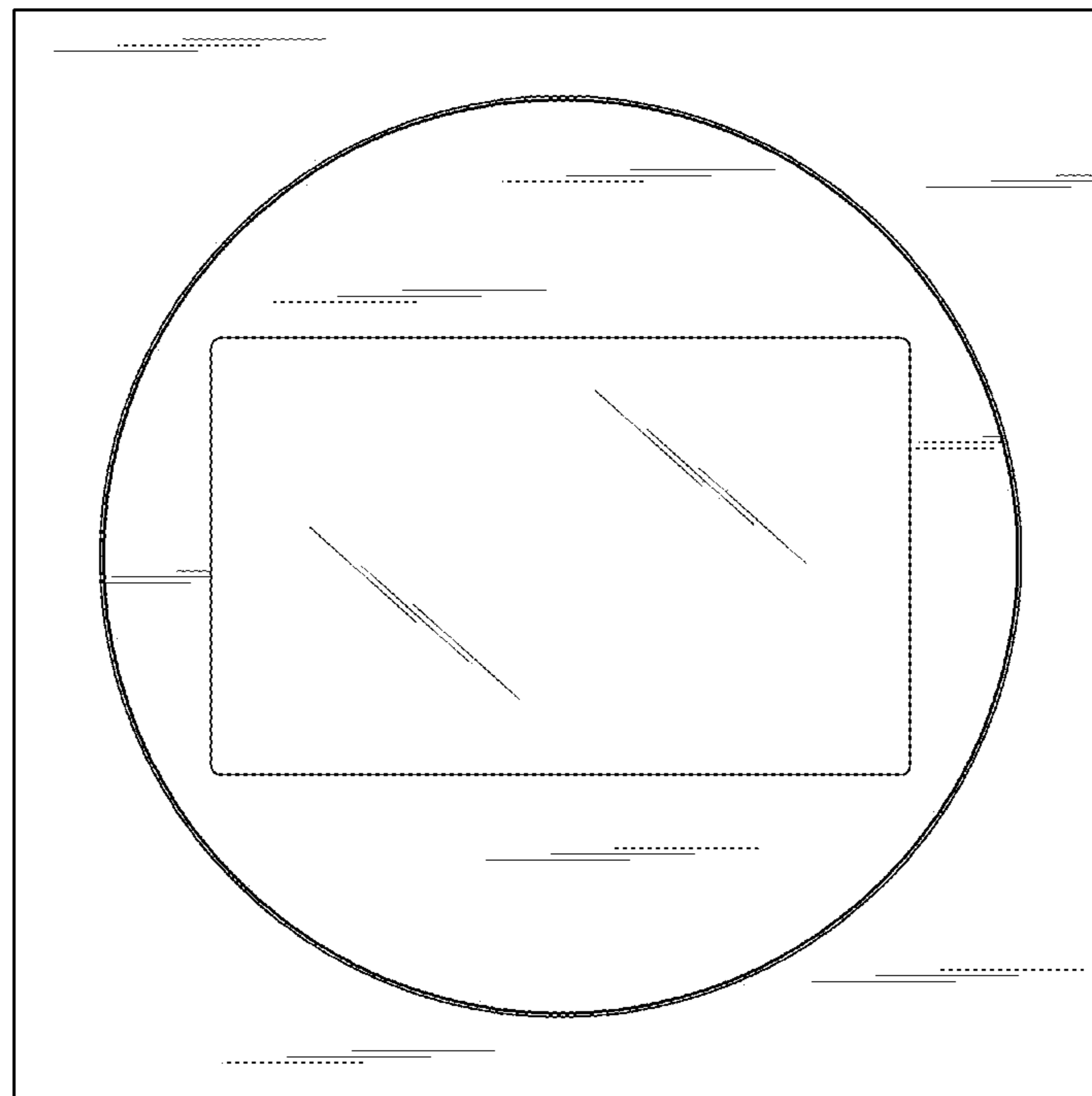


FIG. 8

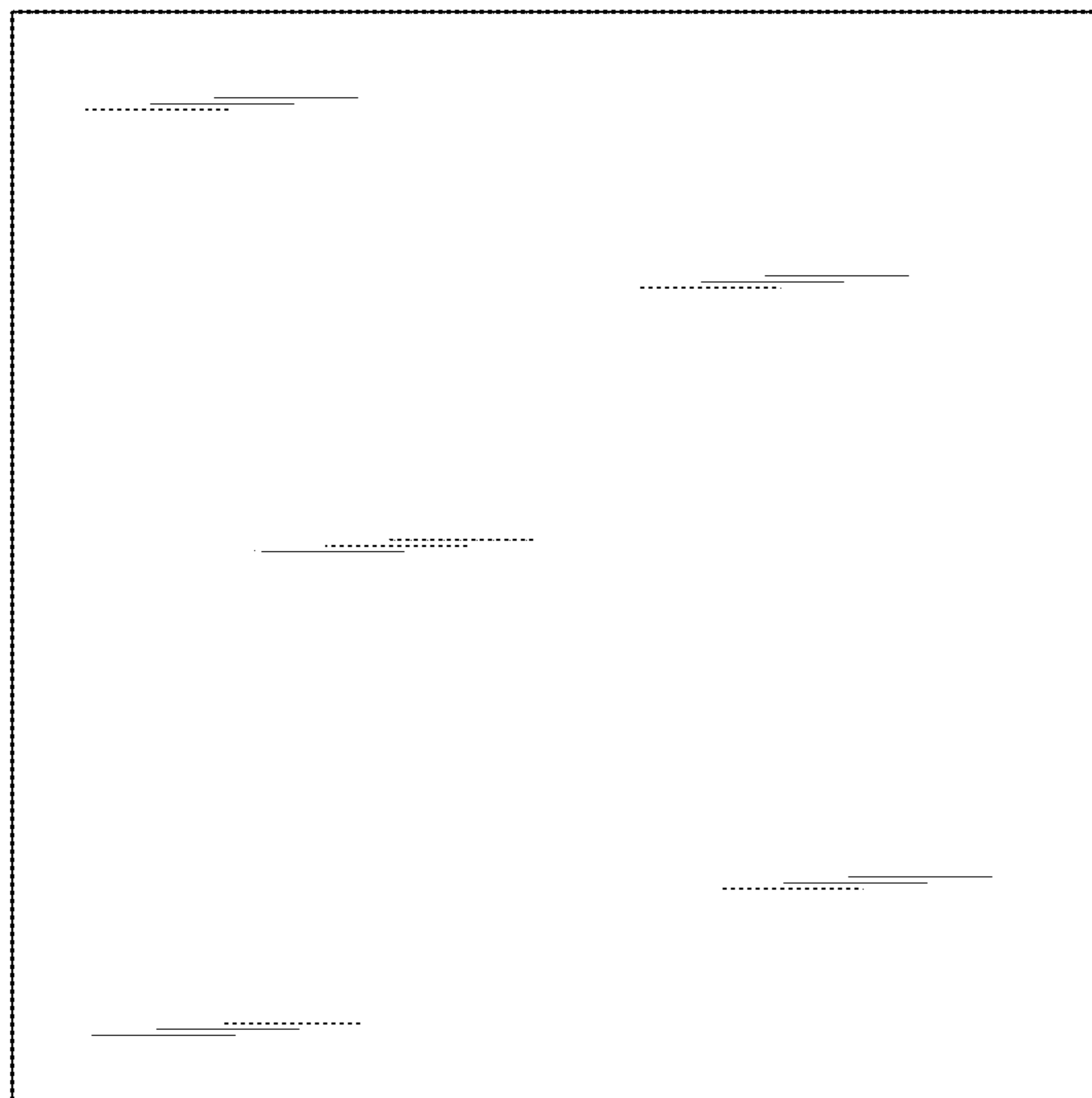


FIG. 9

