



US00D953285S

(12) **United States Design Patent** (10) **Patent No.:** **US D953,285 S**
Wu (45) **Date of Patent:** **** May 31, 2022**

(54) **RECORD PLAYER**

(71) Applicant: **Xingquan Wu**, Maoming (CN)

(72) Inventor: **Xingquan Wu**, Maoming (CN)

(**) Term: **15 Years**

(21) Appl. No.: **29/764,987**

(22) Filed: **Jan. 5, 2021**

(51) **LOC (13) Cl.** **14-01**

(52) **U.S. Cl.**
USPC **D14/202**

(58) **Field of Classification Search**
USPC D14/199-203, 261, 262
CPC G11B 23/00; G11B 19/16; G11B 19/2009;
G11B 17/16
See application file for complete search history.

(56) **References Cited**

U.S. PATENT DOCUMENTS

D241,574 S *	9/1976	Mukai et al.	D14/202
D247,488 S *	3/1978	Ohtomo	D14/202
4,085,940 A *	4/1978	Hoshimi	G11B 3/095 369/225
4,098,512 A *	7/1978	Takizawa	G11B 3/095 369/216
D252,330 S	7/1979	Leech		
D253,290 S	10/1979	Christie		
D265,196 S *	6/1982	Matsumura	D14/202
4,344,163 A *	8/1982	Madalinski	G11B 3/121 369/245
4,437,178 A *	3/1984	Miyoshi	G11B 33/027 369/210
D810,716 S *	2/2018	Yang	D14/203
D824,357 S *	7/2018	Ding	D14/202
D873,236 S *	1/2020	Yan	D14/202

D887,386 S *	6/2020	Shi	D14/202
D898,698 S *	10/2020	Peng	D14/202
D898,699 S *	10/2020	Peng	D14/202
D902,172 S *	11/2020	Lieblein	D14/202
D904,334 S	12/2020	Cao		
D908,658 S *	1/2021	Yang	D14/202

FOREIGN PATENT DOCUMENTS

CN	305332023	*	9/2019
CN	305332024	*	9/2019
CN	305407742	*	10/2019

* cited by examiner

Primary Examiner — Wendy L Arminio

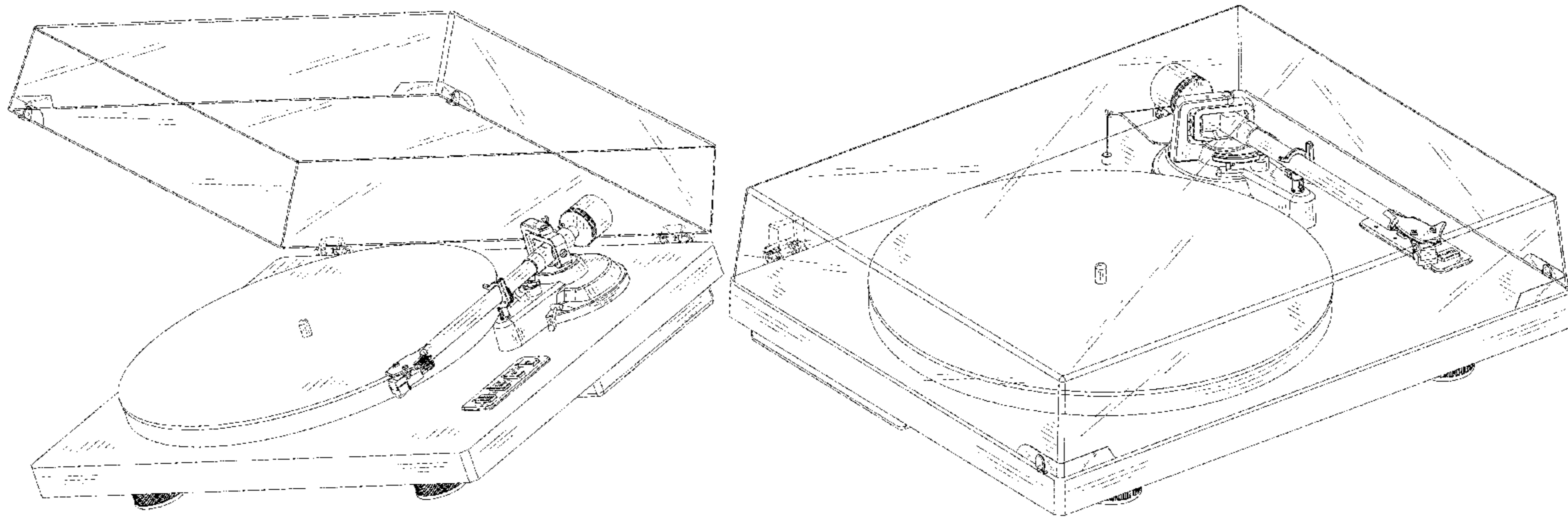
(57) **CLAIM**

The ornamental design for a record player, as shown and described.

DESCRIPTION

FIG. 1 is a perspective view of a record player showing my new design in an open configuration; FIG. 2 is a front view thereof; FIG. 3 is a rear view thereof; FIG. 4 is a left side view thereof; FIG. 5 is a right side view thereof; FIG. 6 is a top plan view thereof; and FIG. 7 is a bottom plan view thereof; FIG. 8 is a perspective view thereof; and, FIG. 9 is a perspective view of the record player of FIG. 1 showing the design in a closed configuration. The broken lines depict portions of the record player that form no part of the claimed design.

1 Claim, 9 Drawing Sheets



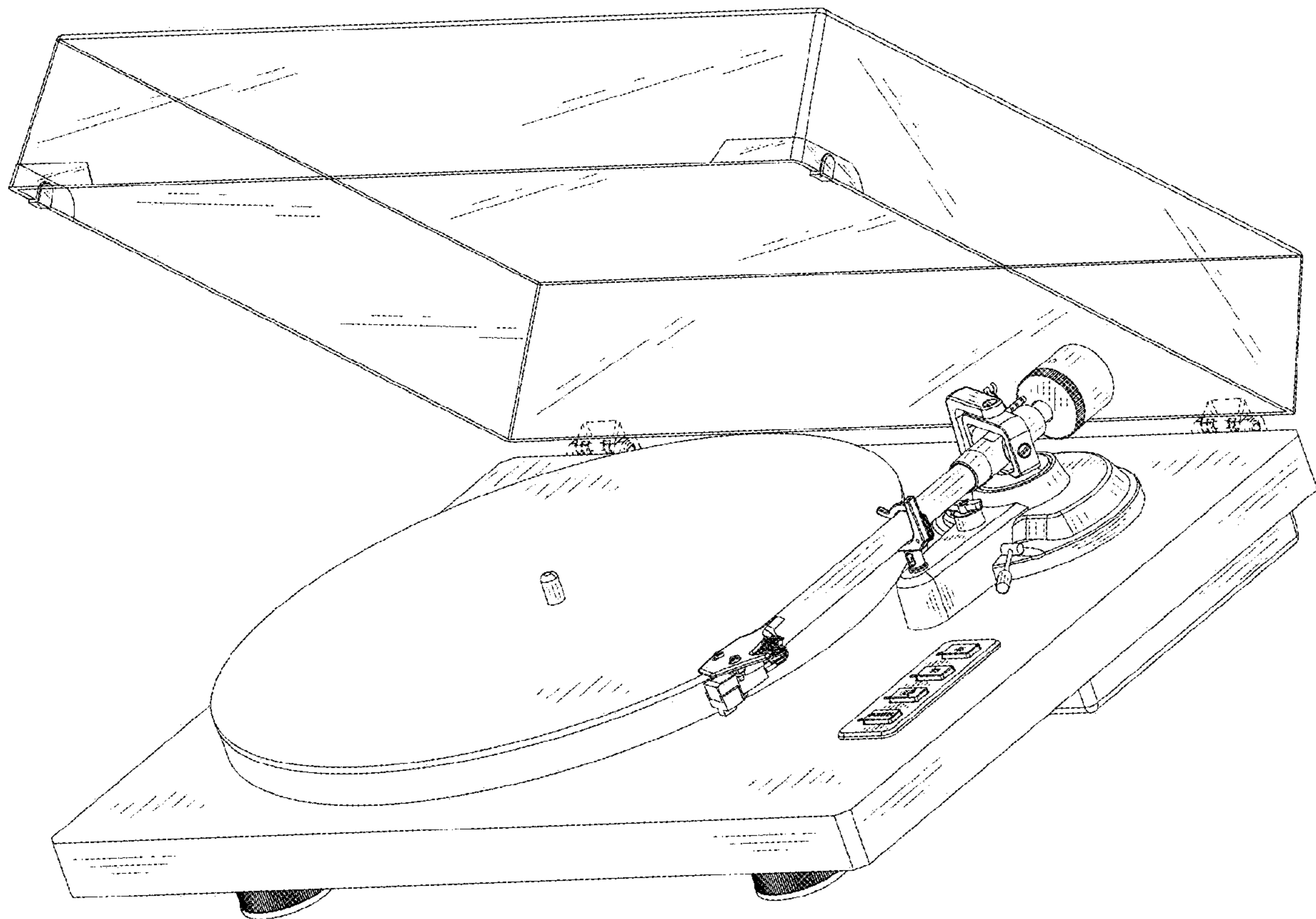


FIG. 1

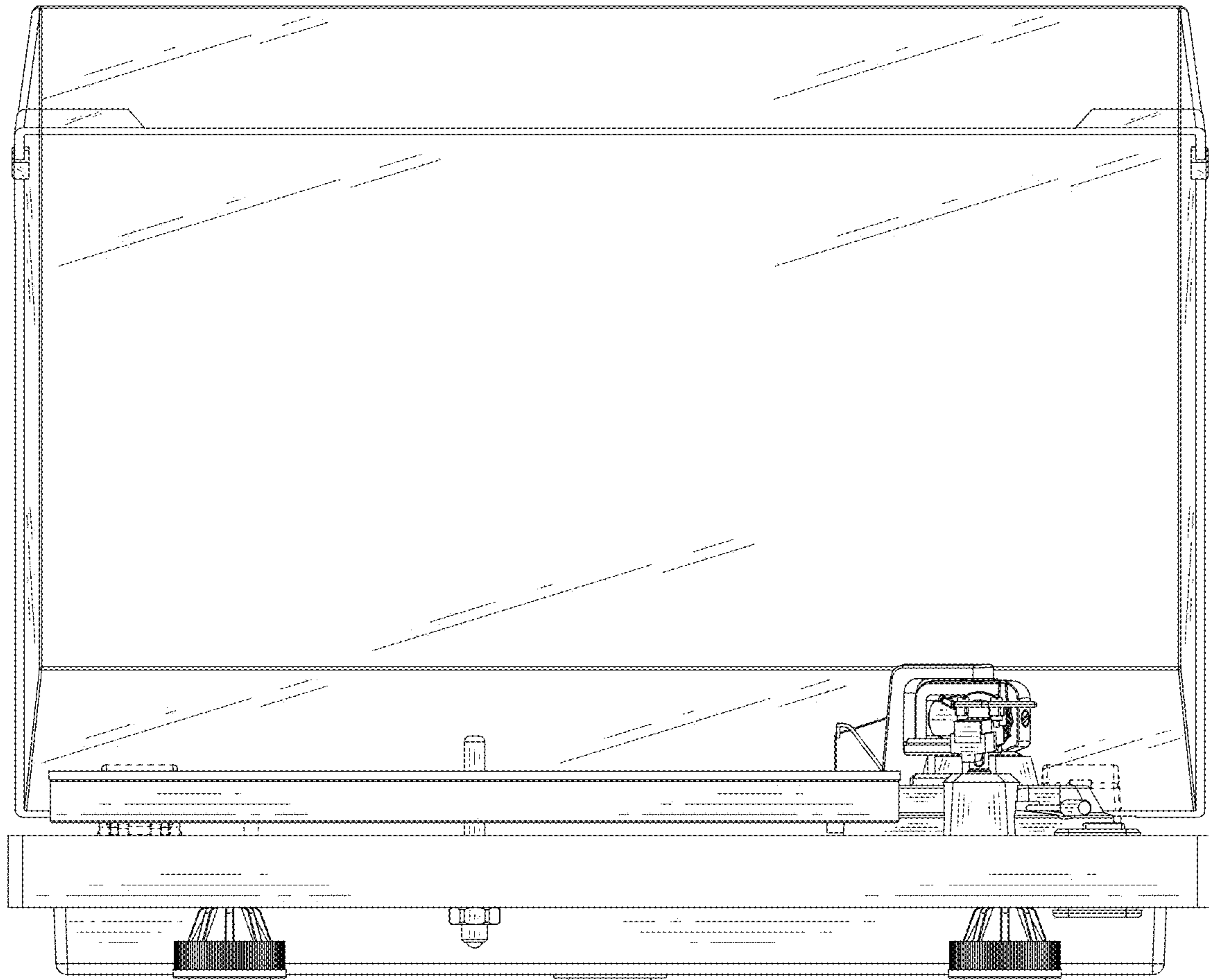


FIG. 2

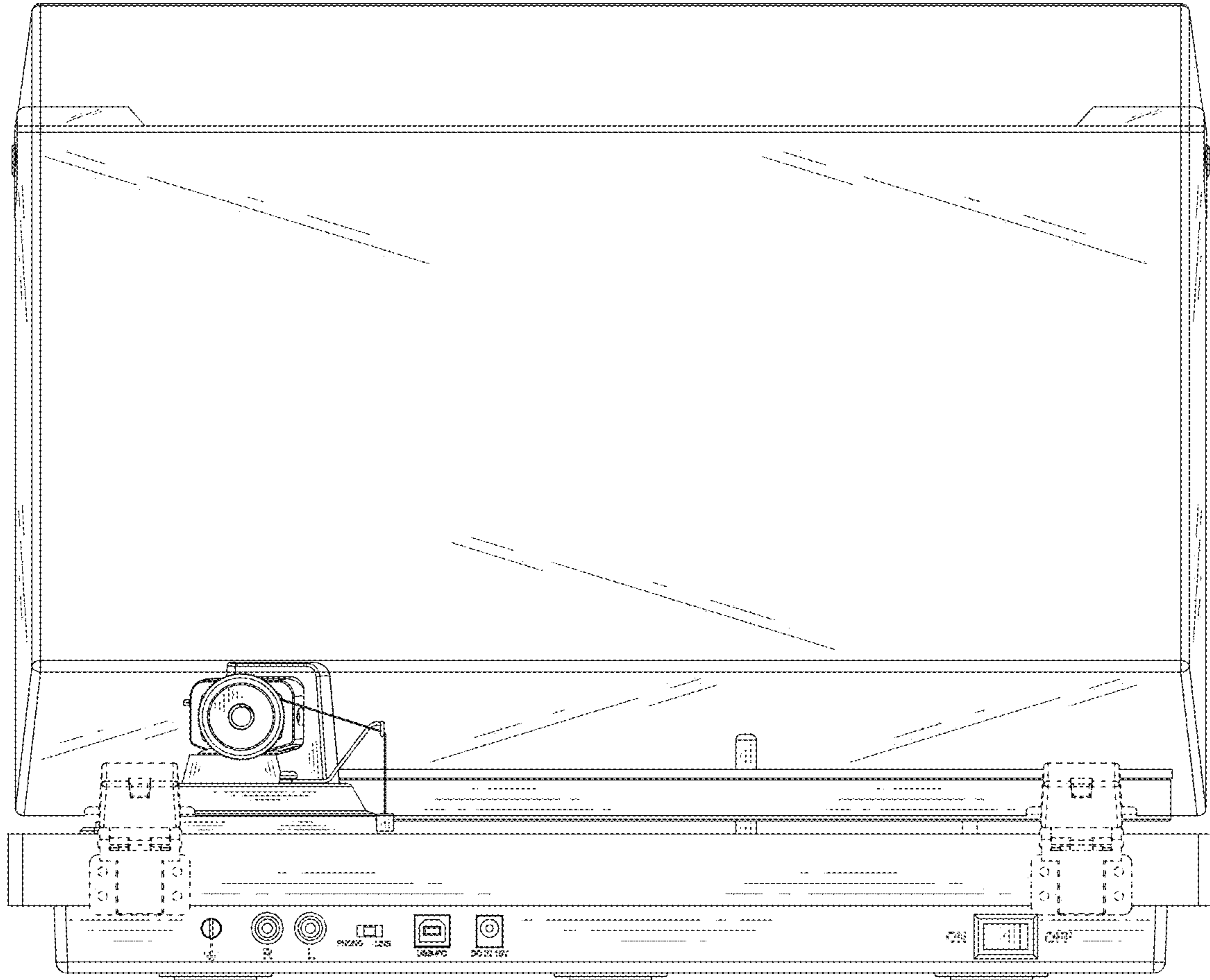


FIG. 3

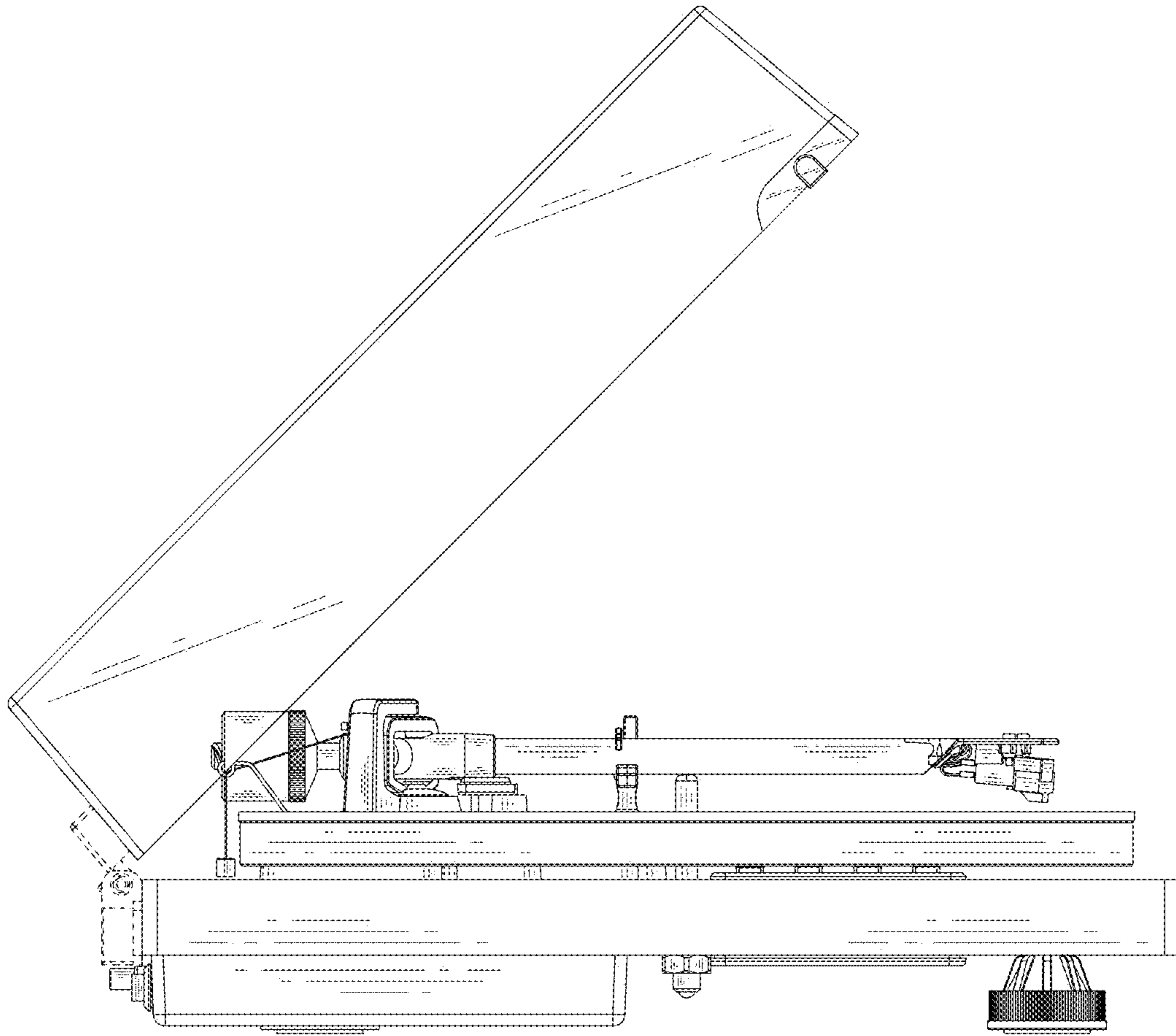


FIG. 4

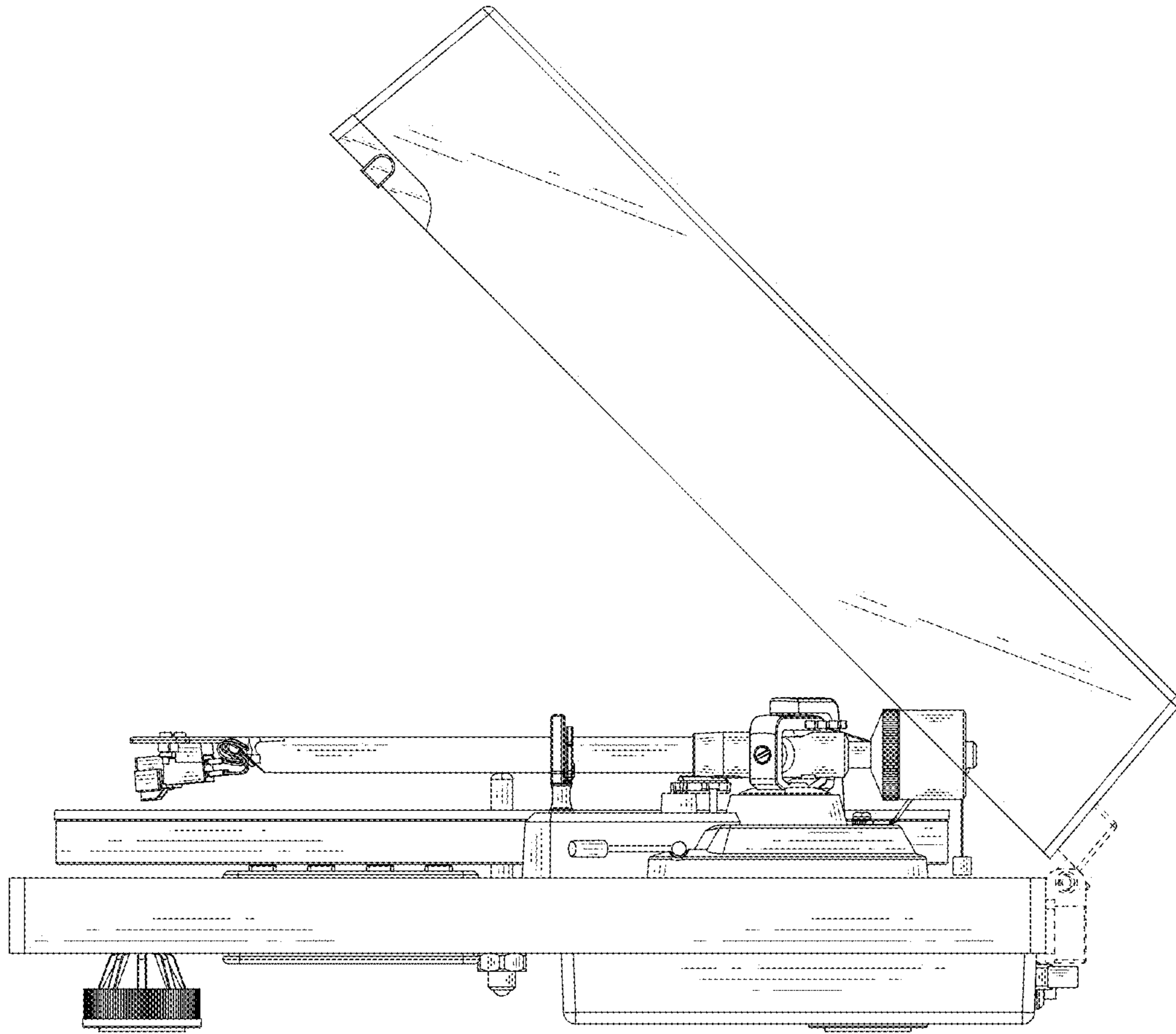


FIG. 5

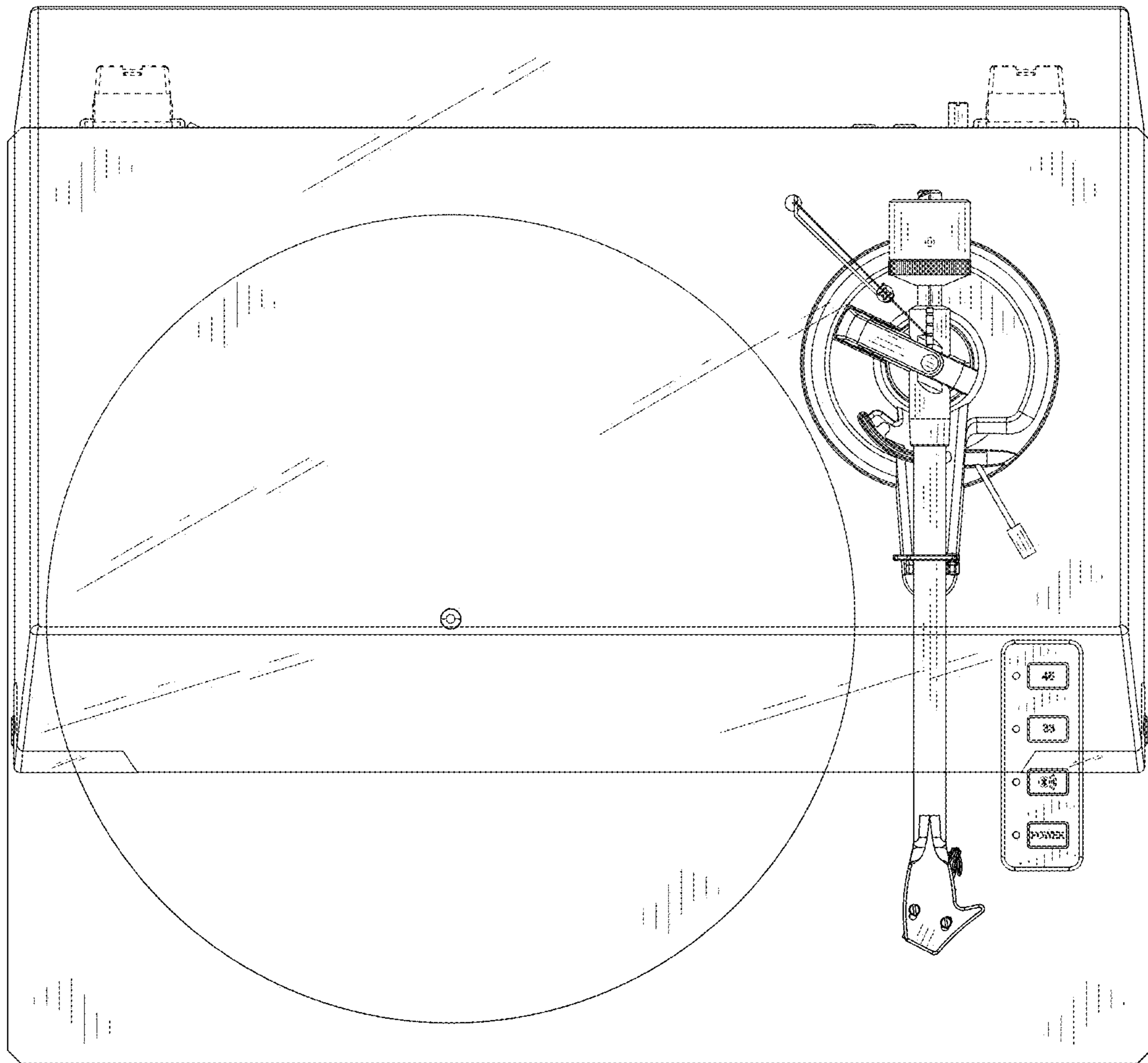


FIG. 6

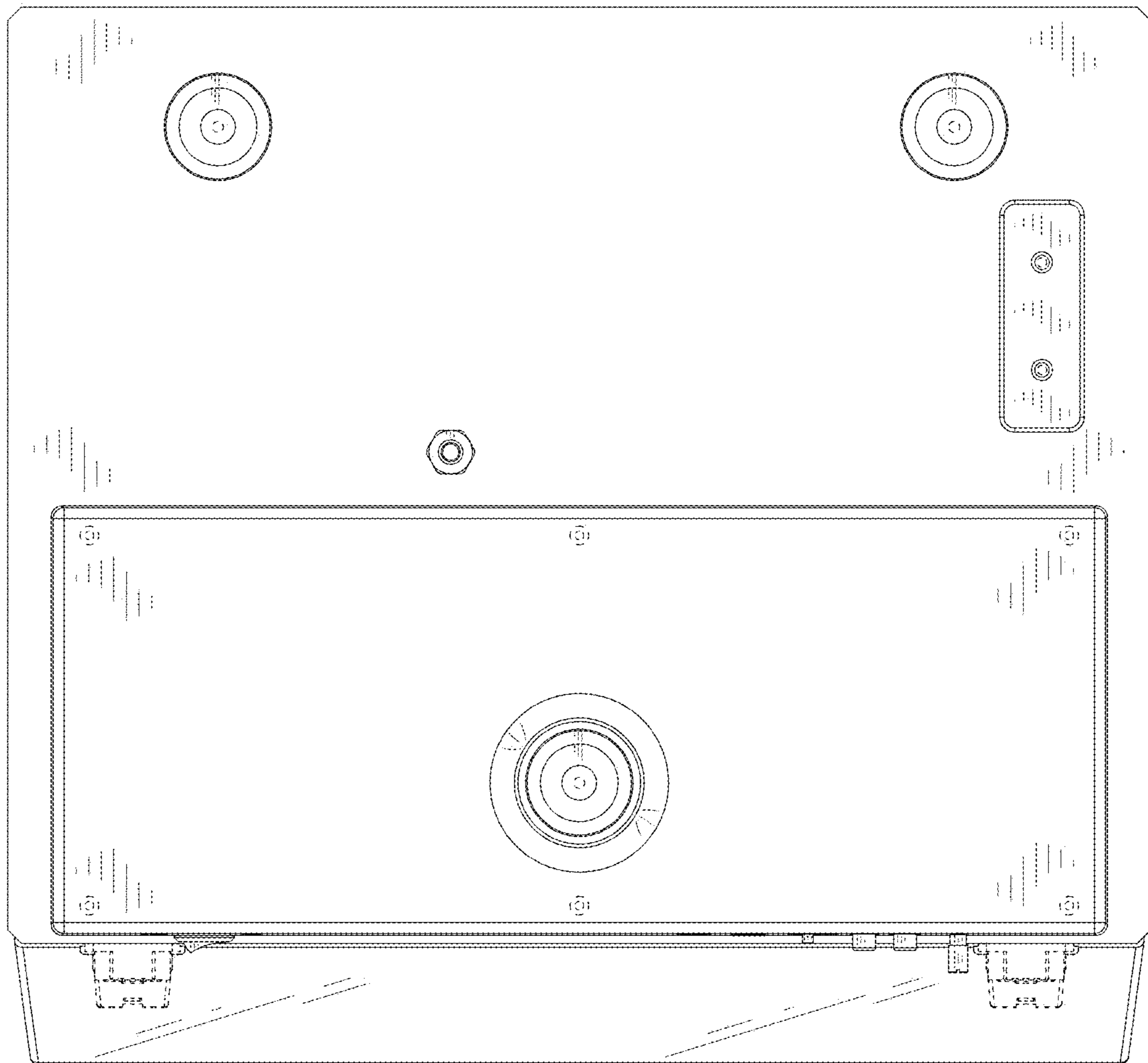


FIG. 7

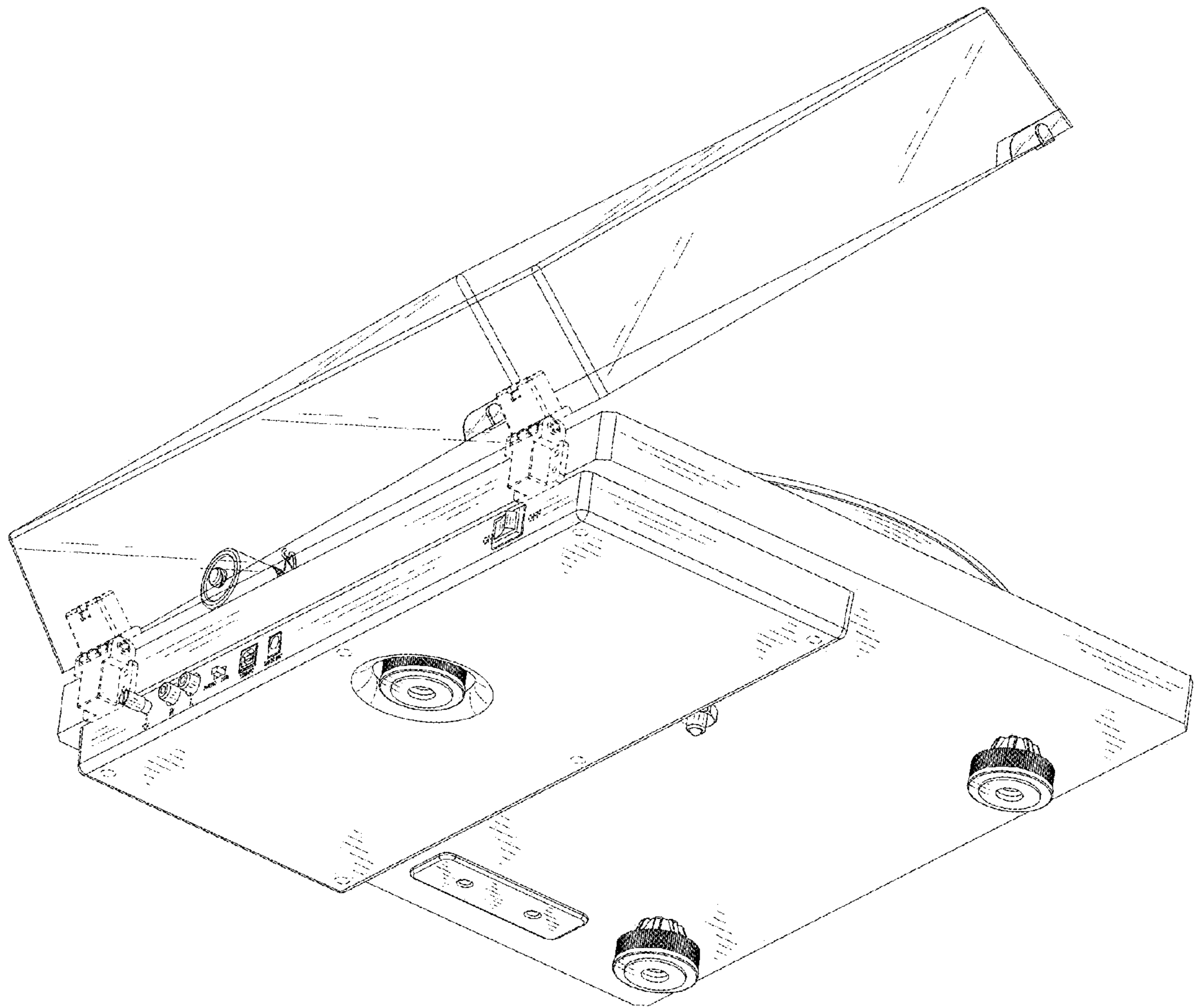


FIG. 8

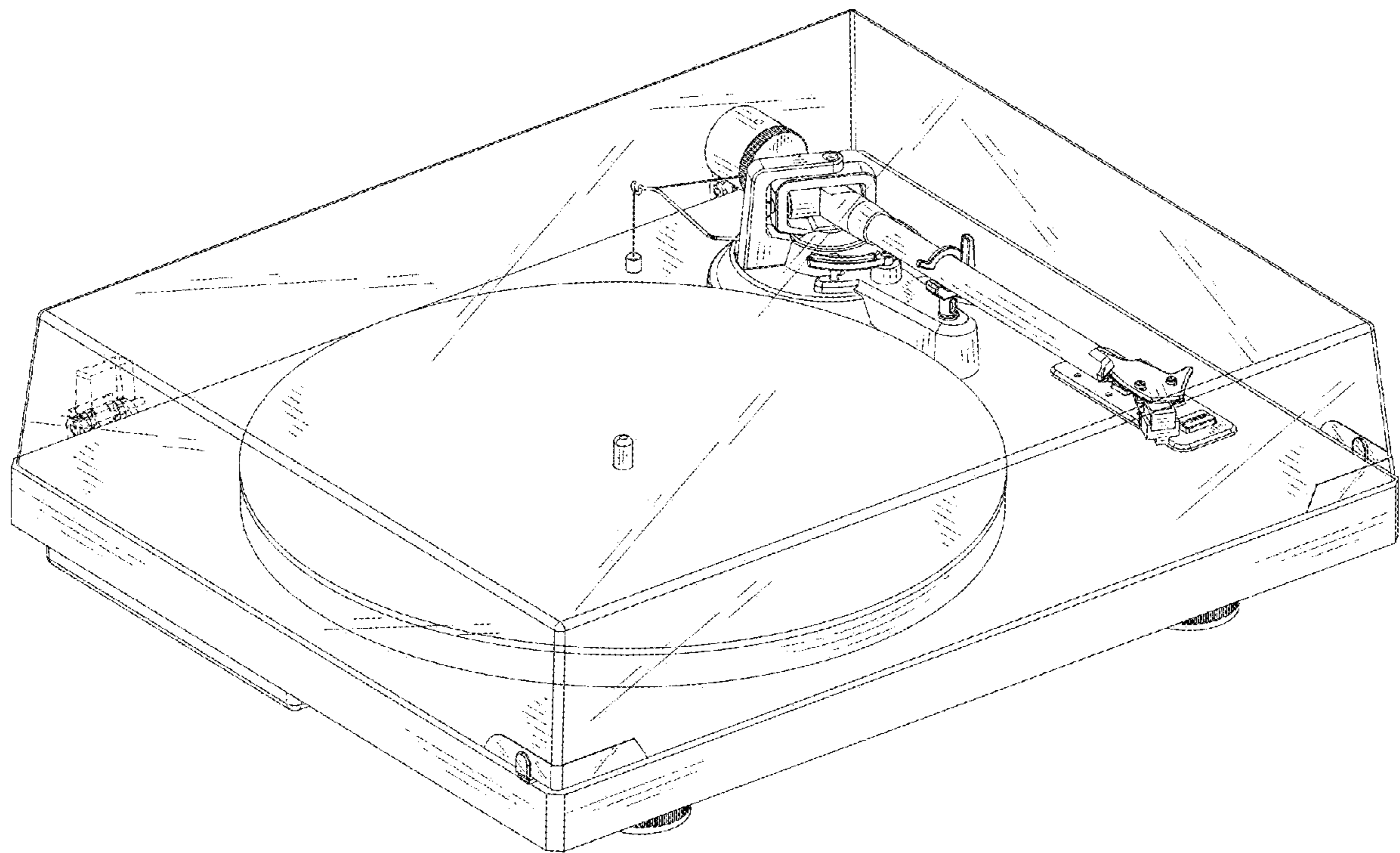


FIG. 9