



US00D953284S

(12) **United States Design Patent**
Shan et al.

(10) **Patent No.:** **US D953,284 S**

(45) **Date of Patent:** **** May 31, 2022**

(54) **PHONE HOLDER ASSEMBLY**

(71) Applicant: **WINNERS'SUN PLASTIC & ELECTRONIC (SHENZHEN) CO., LTD.**, Shenzhen (CN)

(72) Inventors: **Jinghua Shan**, Shenzhen (CN); **Yi Bing Peng**, Shenzhen (CN)

(73) Assignee: **WINNERS'SUN PLASTIC & ELECTRONIC (SHENZHEN) CO., LTD.**, Shenzhen (CN)

(**) Term: **15 Years**

(21) Appl. No.: **29/710,707**

(22) Filed: **Oct. 25, 2019**

(30) **Foreign Application Priority Data**

Jun. 6, 2019 (CN) 201930292812.1

(51) **LOC (13) Cl.** **14-03**

(52) **U.S. Cl.**
USPC **D14/149**; D14/251

(58) **Field of Classification Search**
USPC D14/149, 140, 142, 434, 432, 433, 435, D14/435.1, 356, 357, 358, 251-253, 217,
(Continued)

(56) **References Cited**

U.S. PATENT DOCUMENTS

D110,527 S * 7/1938 Oker D10/46
D283,420 S * 4/1986 Reichenstein 455/462
(Continued)

FOREIGN PATENT DOCUMENTS

CN 210266451 U * 4/2020 H04M 1/04

Primary Examiner — Marie D. Fast Horse

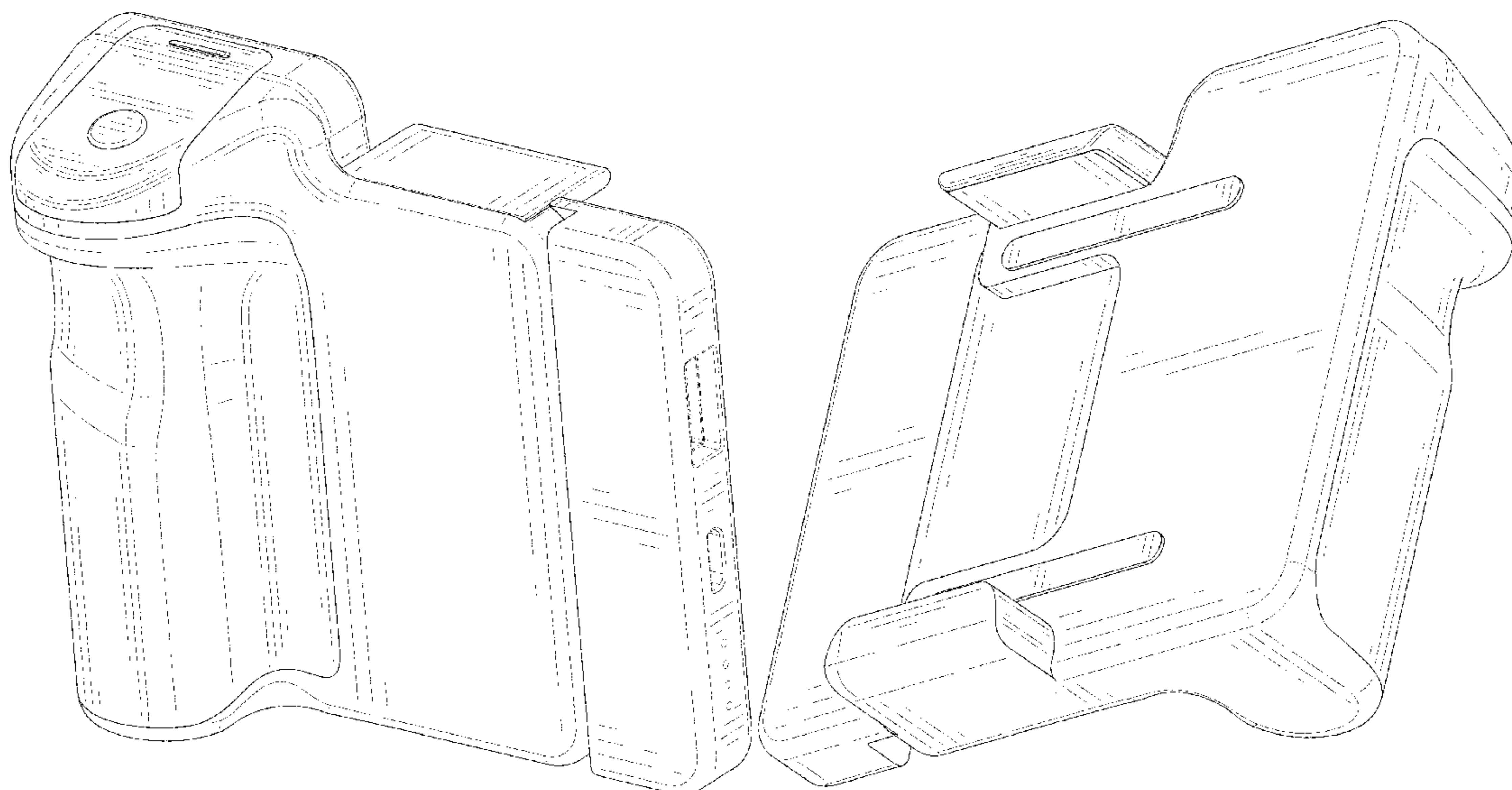
(57) **CLAIM**

The ornamental design for a phone holder assembly, as shown and described.

DESCRIPTION

FIG. 1 is a perspective view of the first component of the phone holder assembly of FIG. 25 shown isolated for clarity; FIG. 2 is another perspective view thereof; FIG. 3 is a front elevational view thereof; FIG. 4 is a rear elevational view thereof; FIG. 5 is a left side elevational view thereof; FIG. 6 is a right side elevational view thereof; FIG. 7 is a top plan view thereof; FIG. 8 is a bottom plan view thereof; FIG. 9 is a perspective view of the second component of the phone holder assembly of FIG. 25 shown isolated for clarity; FIG. 10 is another perspective view thereof; FIG. 11 is a front elevational view thereof; FIG. 12 is a rear elevational view thereof; FIG. 13 is a left side elevational view thereof; FIG. 14 is a right side elevational view thereof; FIG. 15 is a top plan view thereof; FIG. 16 is a bottom plan view thereof; FIG. 17 is a perspective view of the third component of the phone holder assembly of FIG. 25 shown isolated for clarity; FIG. 18 is another perspective view thereof; FIG. 19 is a front elevational view thereof; FIG. 20 is a rear elevational view thereof; FIG. 21 is a left side elevational view thereof; FIG. 22 is a right side elevational view thereof; FIG. 23 is a top plan view thereof; FIG. 24 is a bottom plan view thereof; FIG. 25 is a perspective view of the phone holder assembly where the components are fully assembled in a configuration of use; and, FIG. 26 is another perspective view thereof. The broken lines in the drawings depict portions of the phone holder assembly that form no part of the claimed design.

1 Claim, 26 Drawing Sheets



(58) **Field of Classification Search**

USPC D14/299, 496, 169, 451, 452, 454, 240,
 D14/242, 204, 125, 168, 171, 440, 447,
 D14/300, 301, 302, 314, 348, 389, 363,
 D14/365, 205, 223, 224; D13/103, 107,
 D13/108, 184, 110, 123
 CPC H04M 1/04
 See application file for complete search history.

(56) **References Cited**

U.S. PATENT DOCUMENTS

D343,383 S *	1/1994	Hall	D13/133
D372,473 S *	8/1996	Bungardt	D14/149
D383,759 S *	9/1997	Nagele	D14/253
D419,955 S *	2/2000	Silzer, Jr.	D13/108
D474,762 S *	5/2003	Moberg	D14/217
D514,105 S *	1/2006	Ohta	D14/384
D557,338 S *	12/2007	Delman	D19/60
D571,014 S *	6/2008	Schwanitz	D24/186
D579,871 S *	11/2008	Hsiau	D13/133
D664,141 S *	7/2012	Haymond	D14/253
D677,622 S *	3/2013	Cole	D13/108
D682,246 S *	5/2013	Boqueho	D14/142
D685,773 S *	7/2013	Katarow	D14/240
D691,947 S *	10/2013	Cole	D13/108
D695,726 S *	12/2013	Balloch	D14/240
D698,754 S *	2/2014	Vuillet	D14/218
D706,148 S *	6/2014	Wingate	D10/65
D707,143 S *	6/2014	Wingate	D10/65
D707,575 S *	6/2014	Wingate	D10/65
D721,327 S *	1/2015	Kim	D13/108
D726,042 S *	4/2015	Wingate	D10/70
D883,195 S *	5/2020	Jiang	D13/103
D927,476 S *	8/2021	Markey	D14/251

* cited by examiner

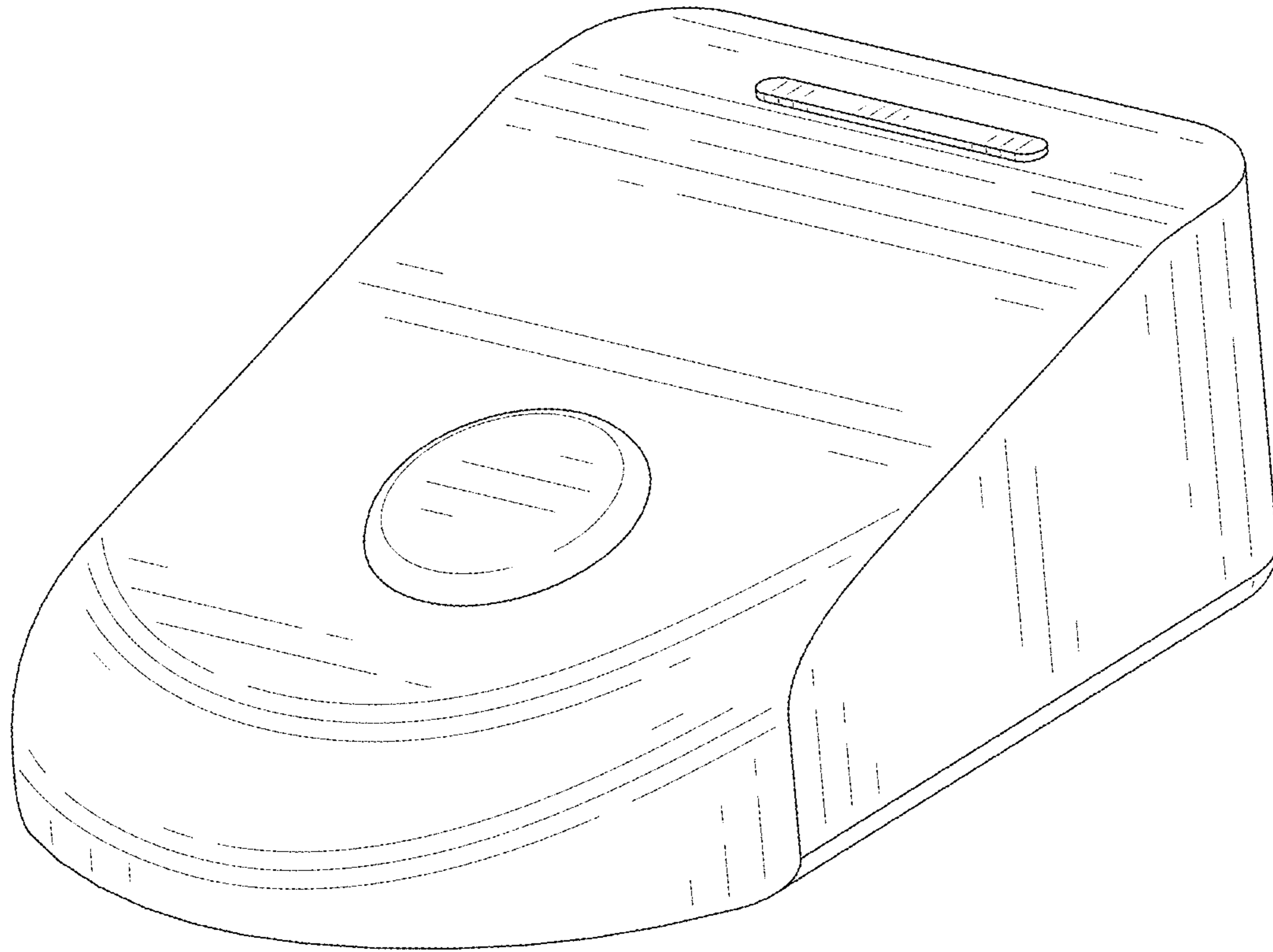


FIG. 1

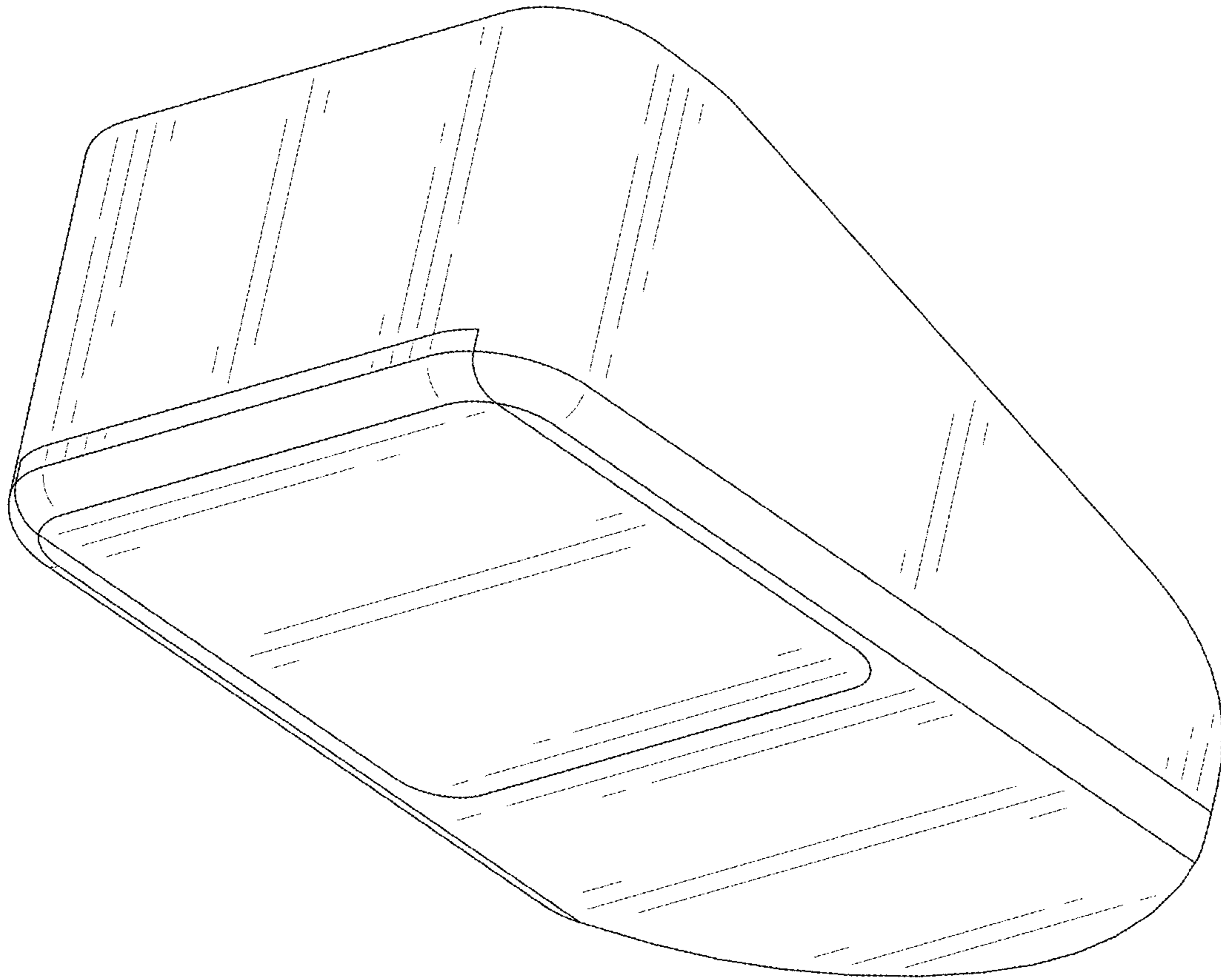


FIG. 2

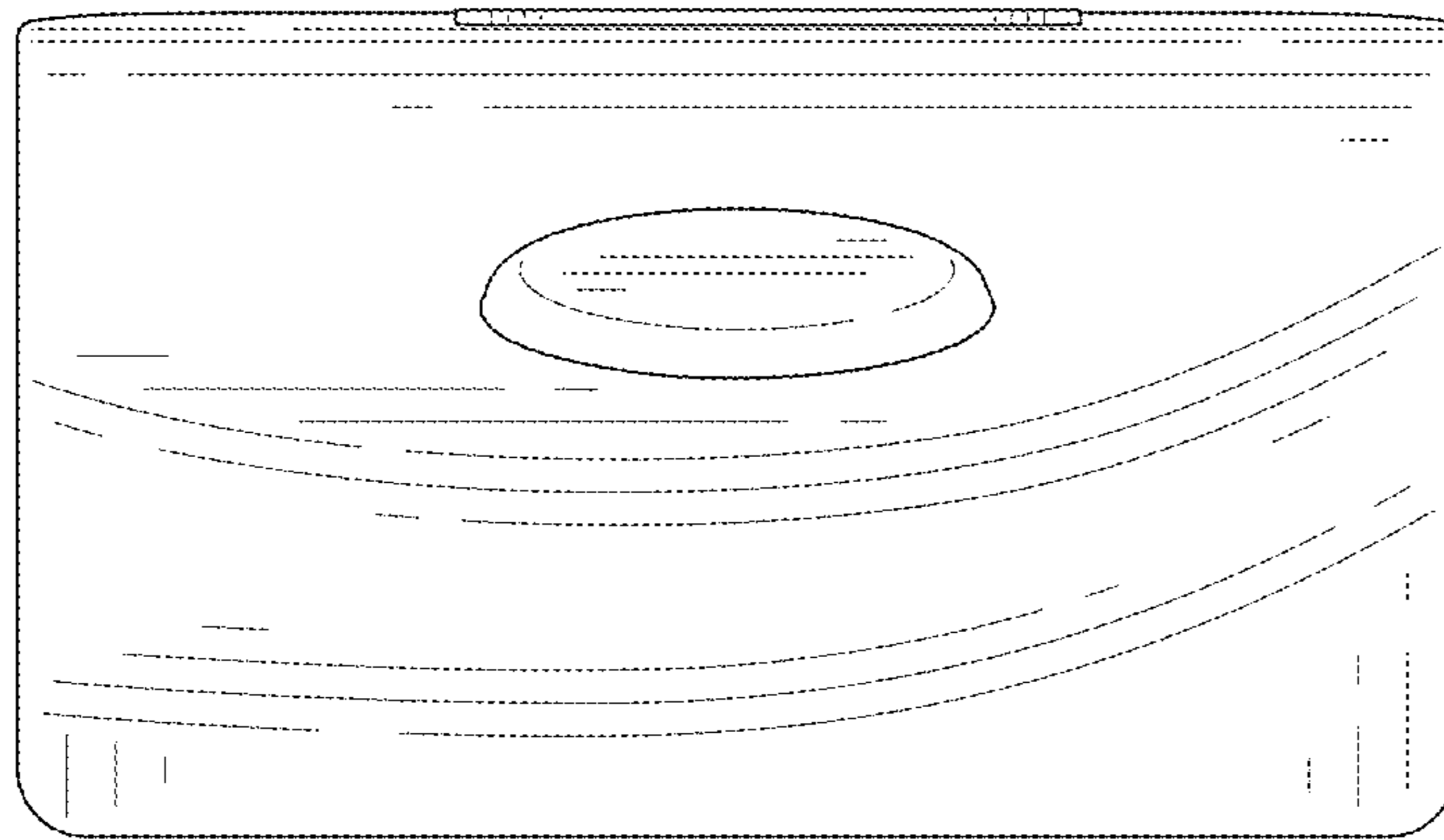


FIG. 3

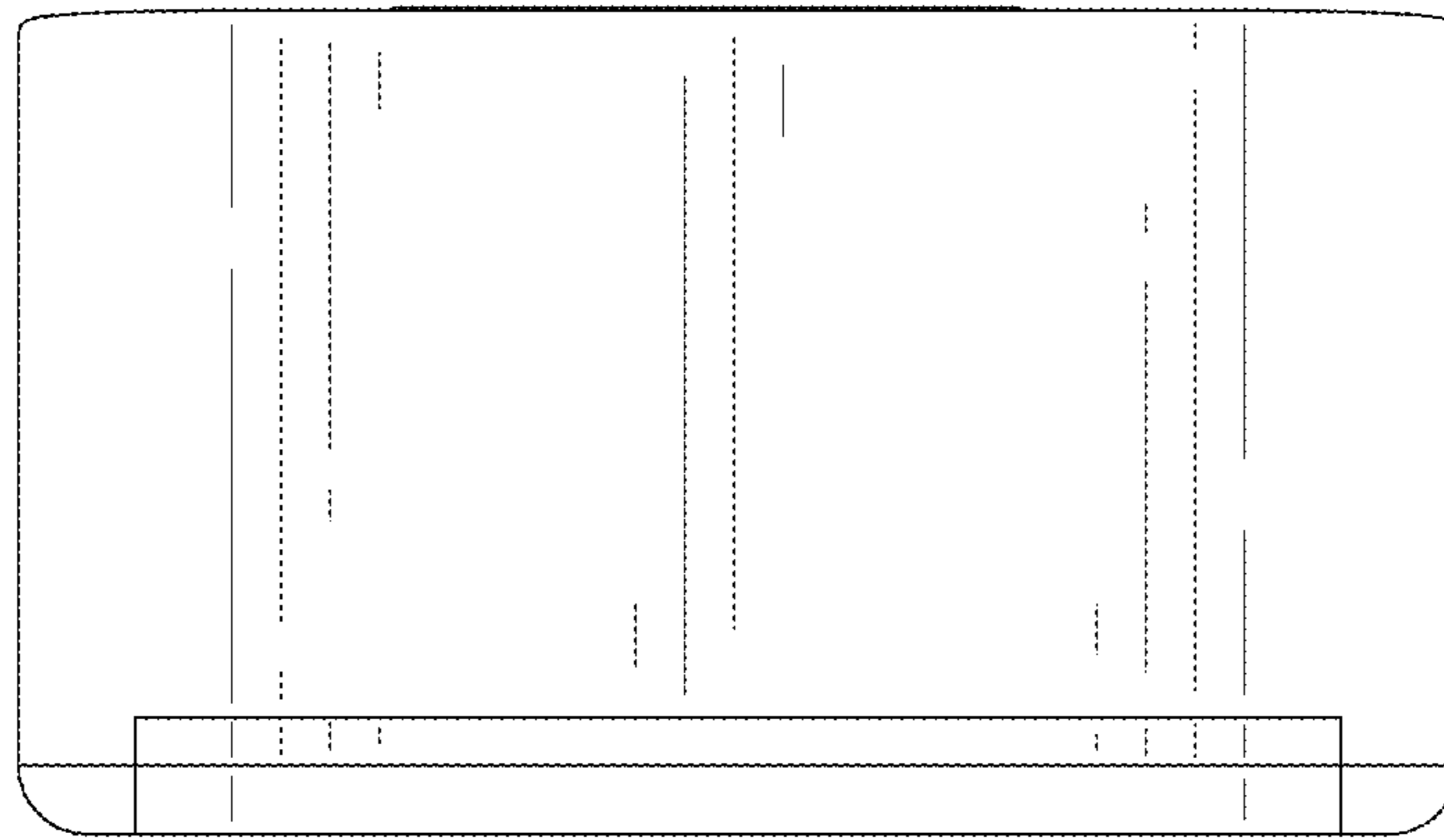


FIG. 4

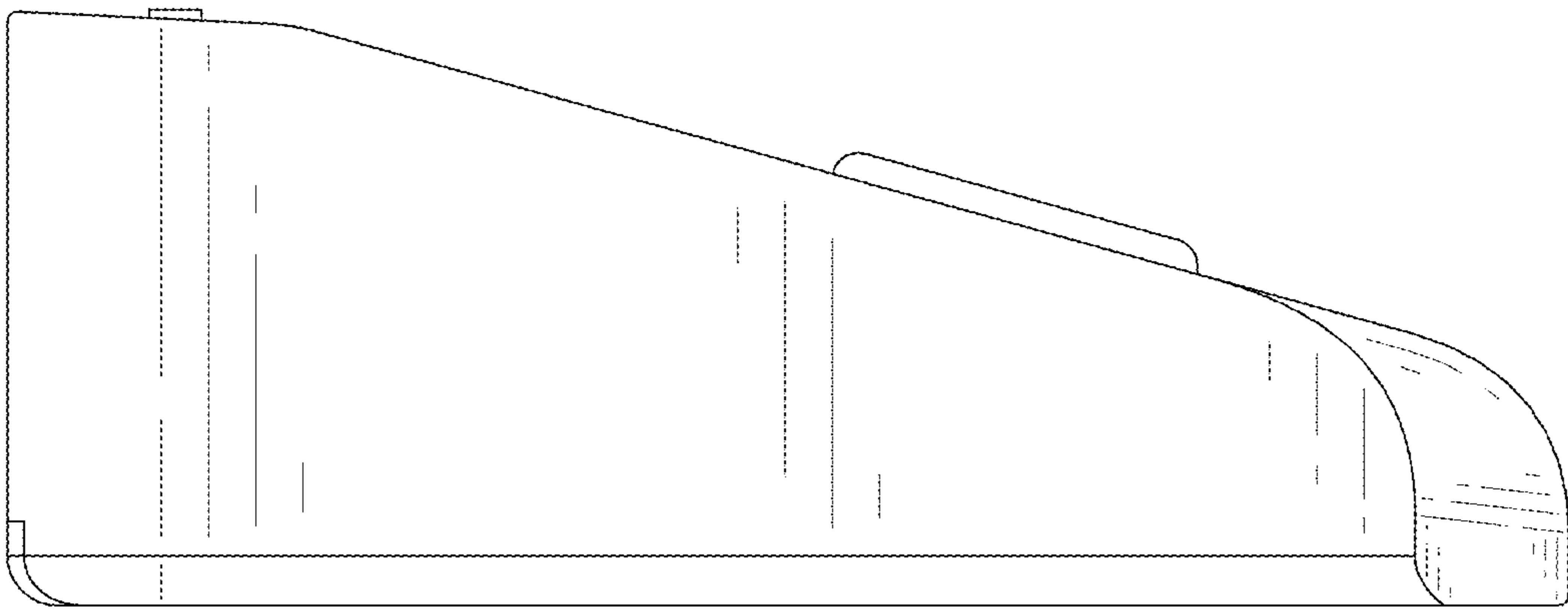


FIG. 5

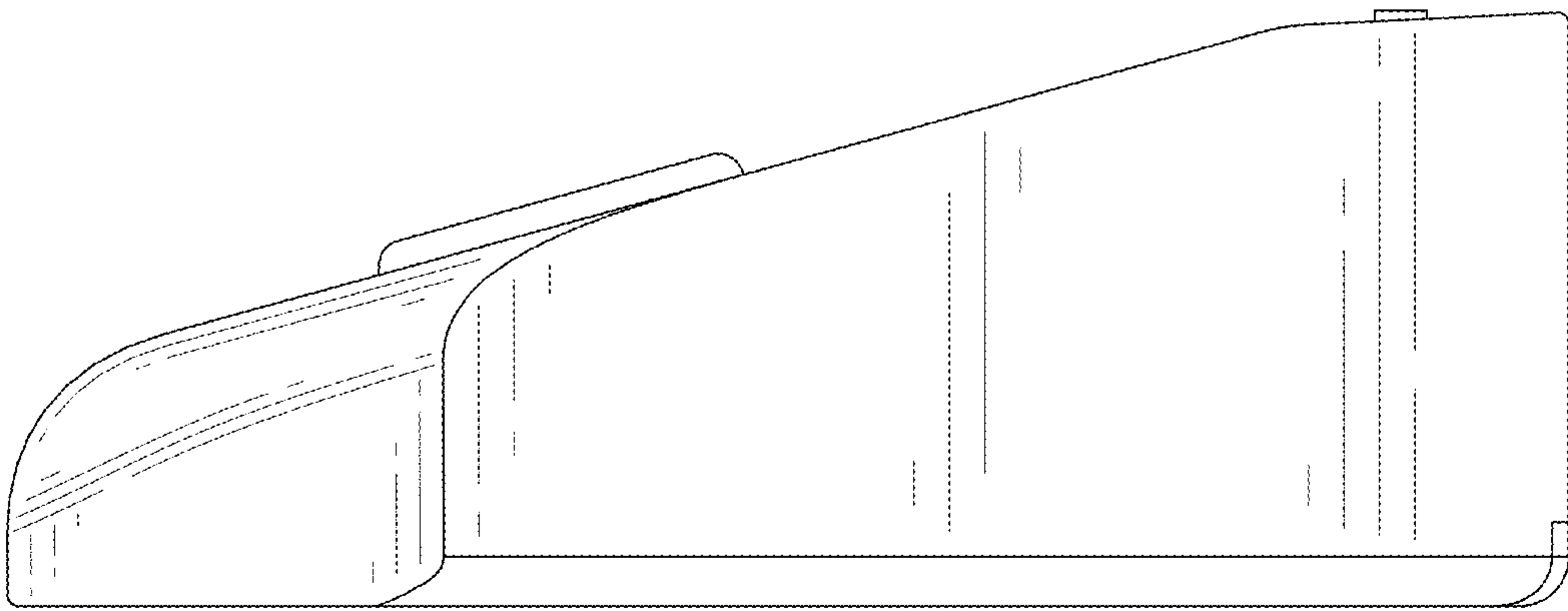


FIG. 6

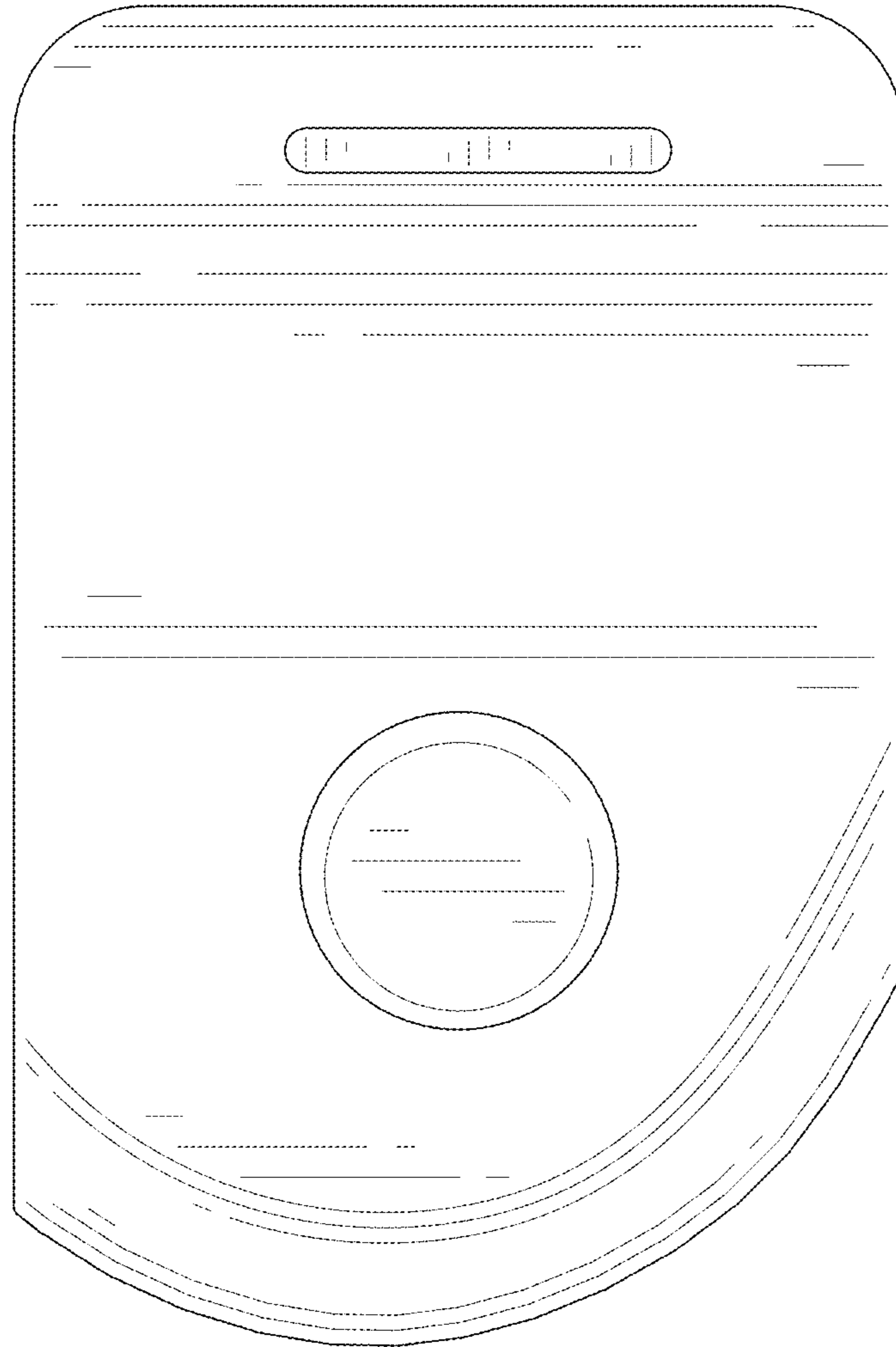


FIG. 7

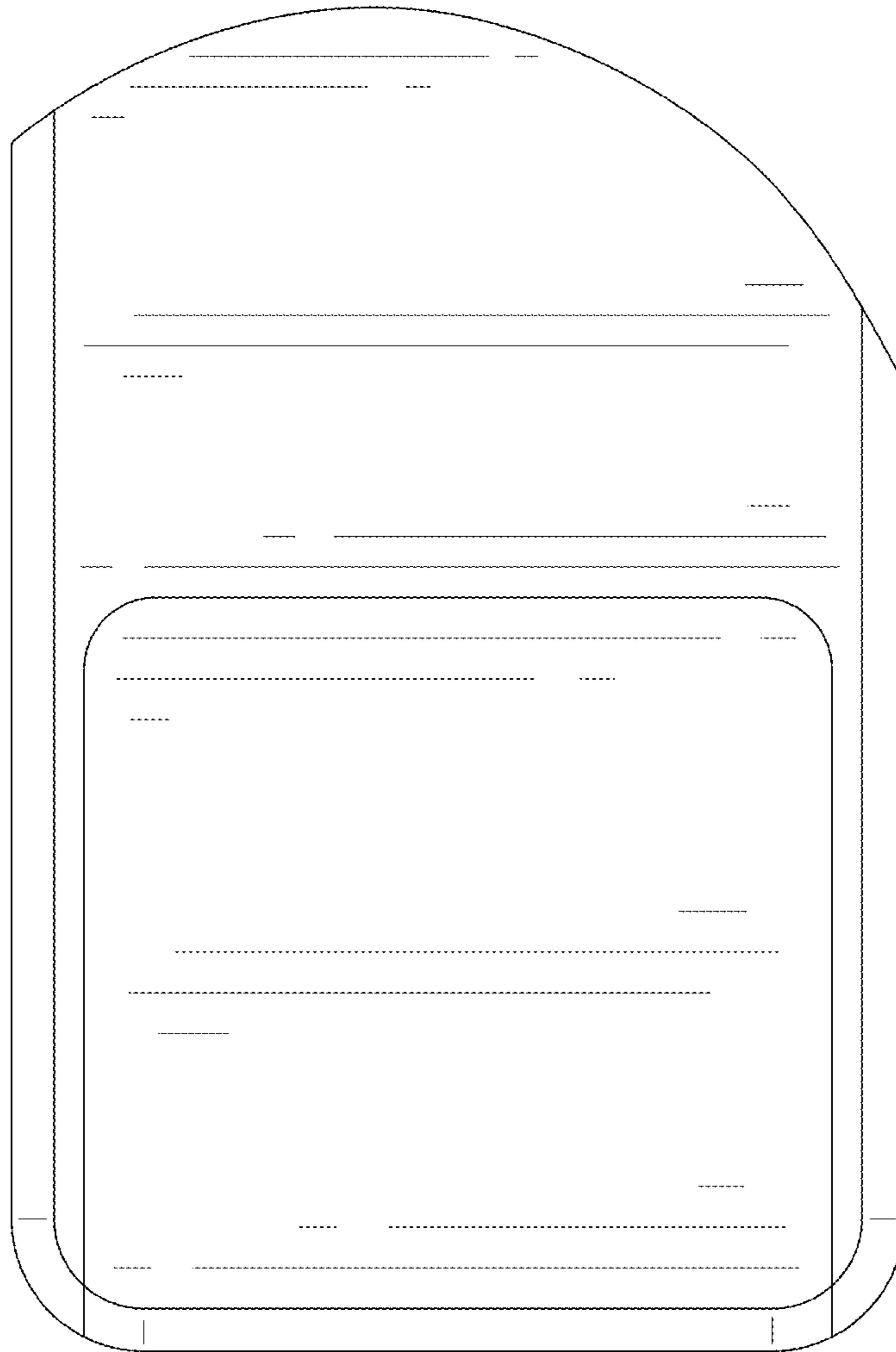


FIG. 8

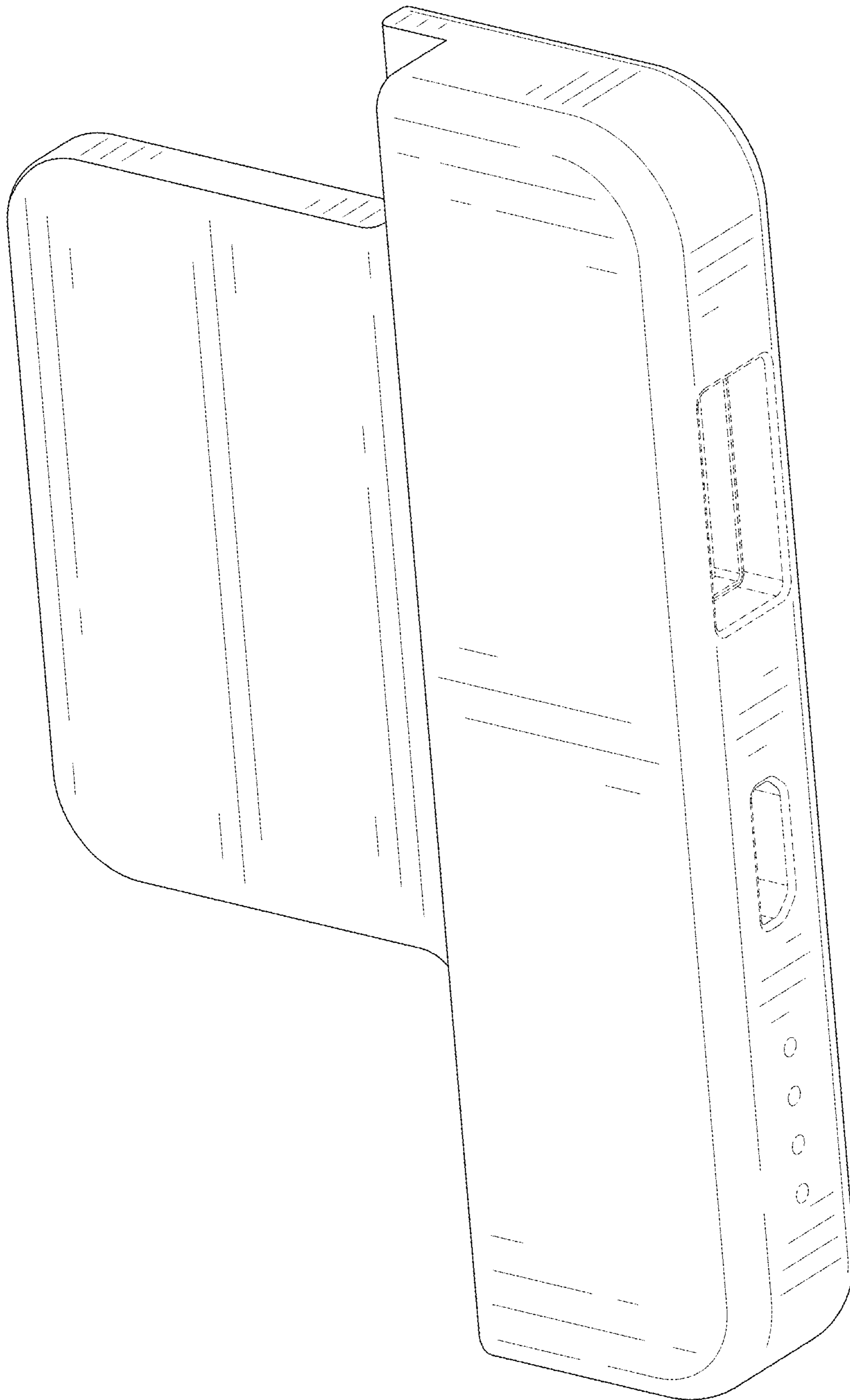


FIG. 9

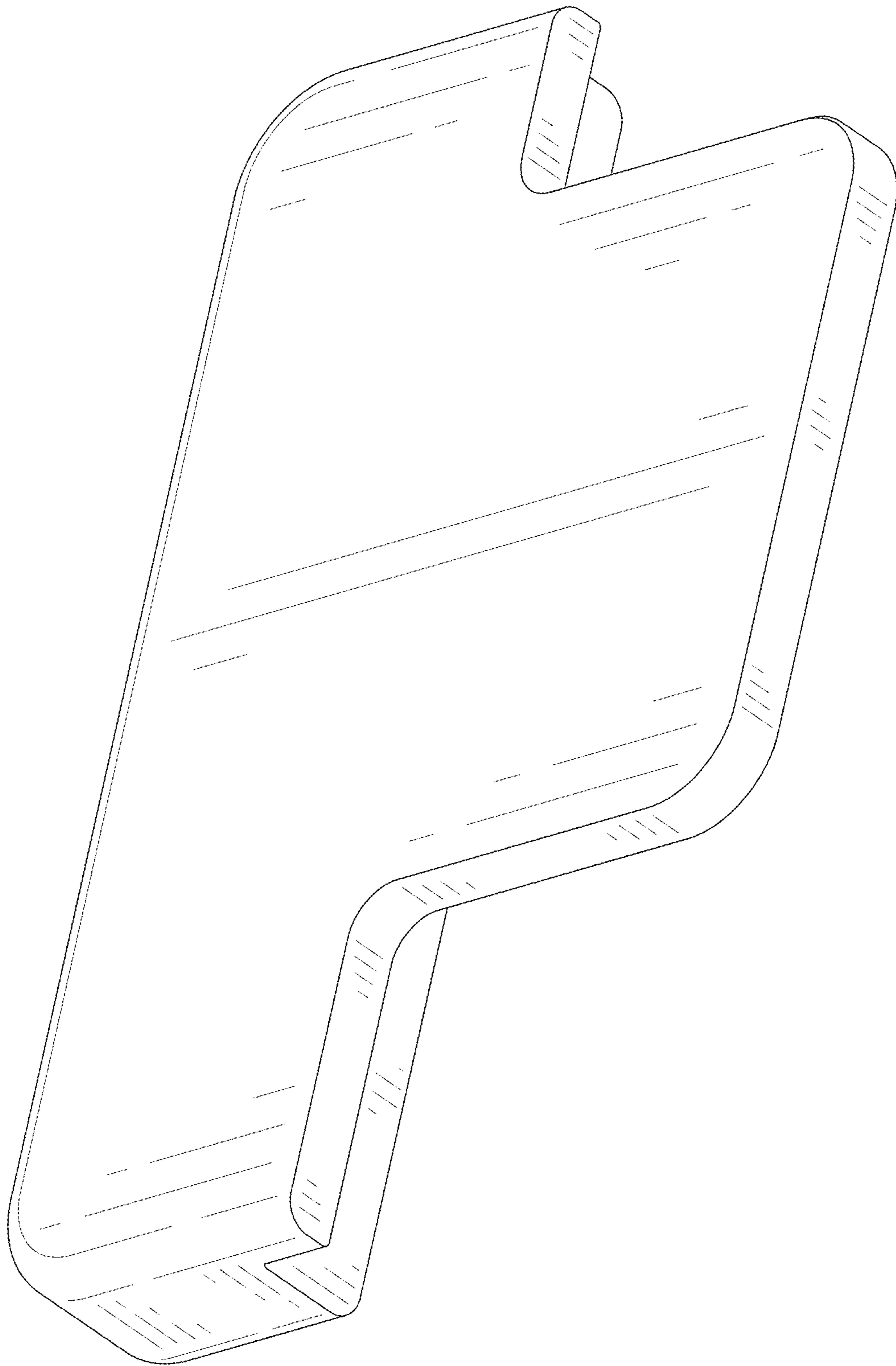


FIG. 10

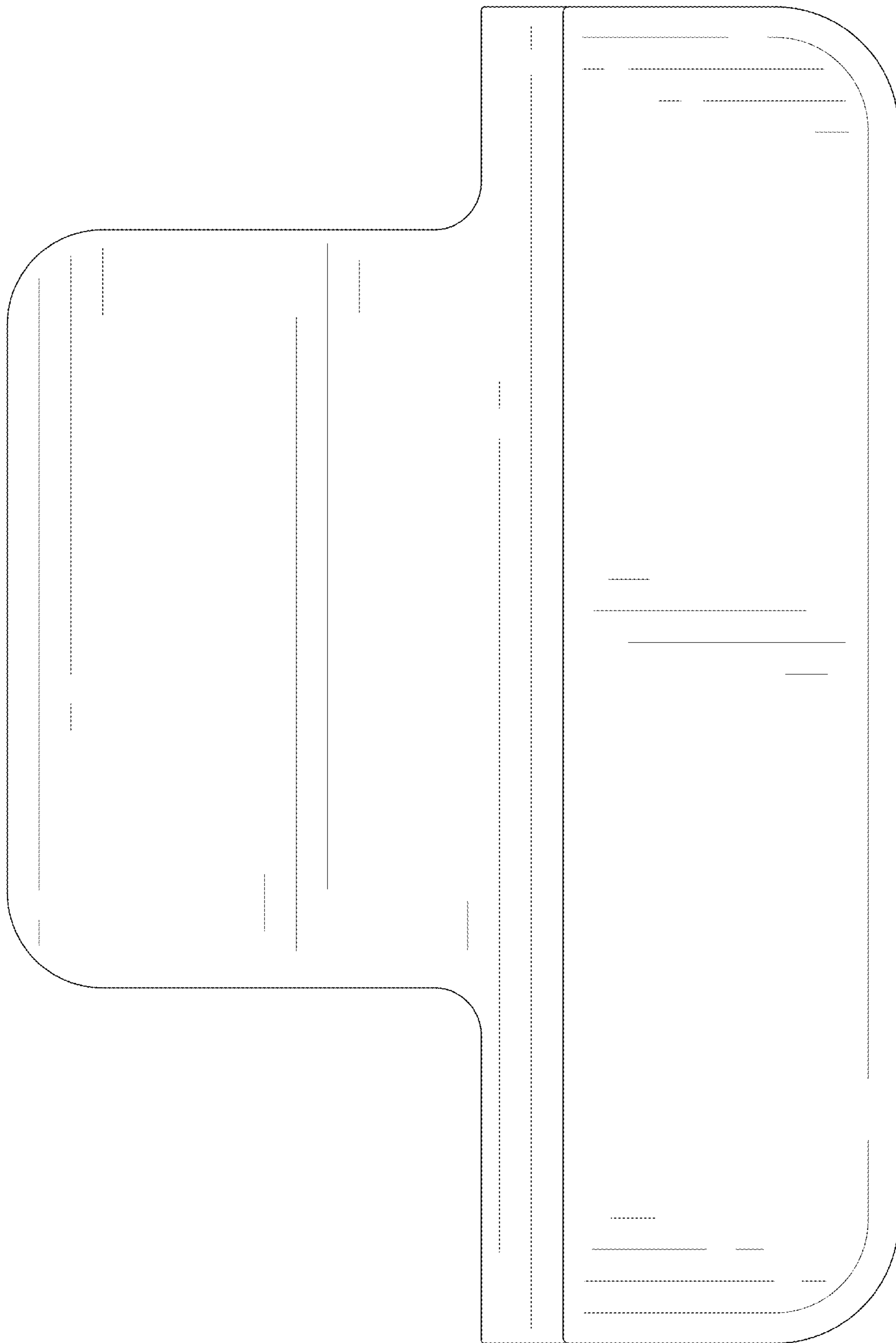


FIG. 11

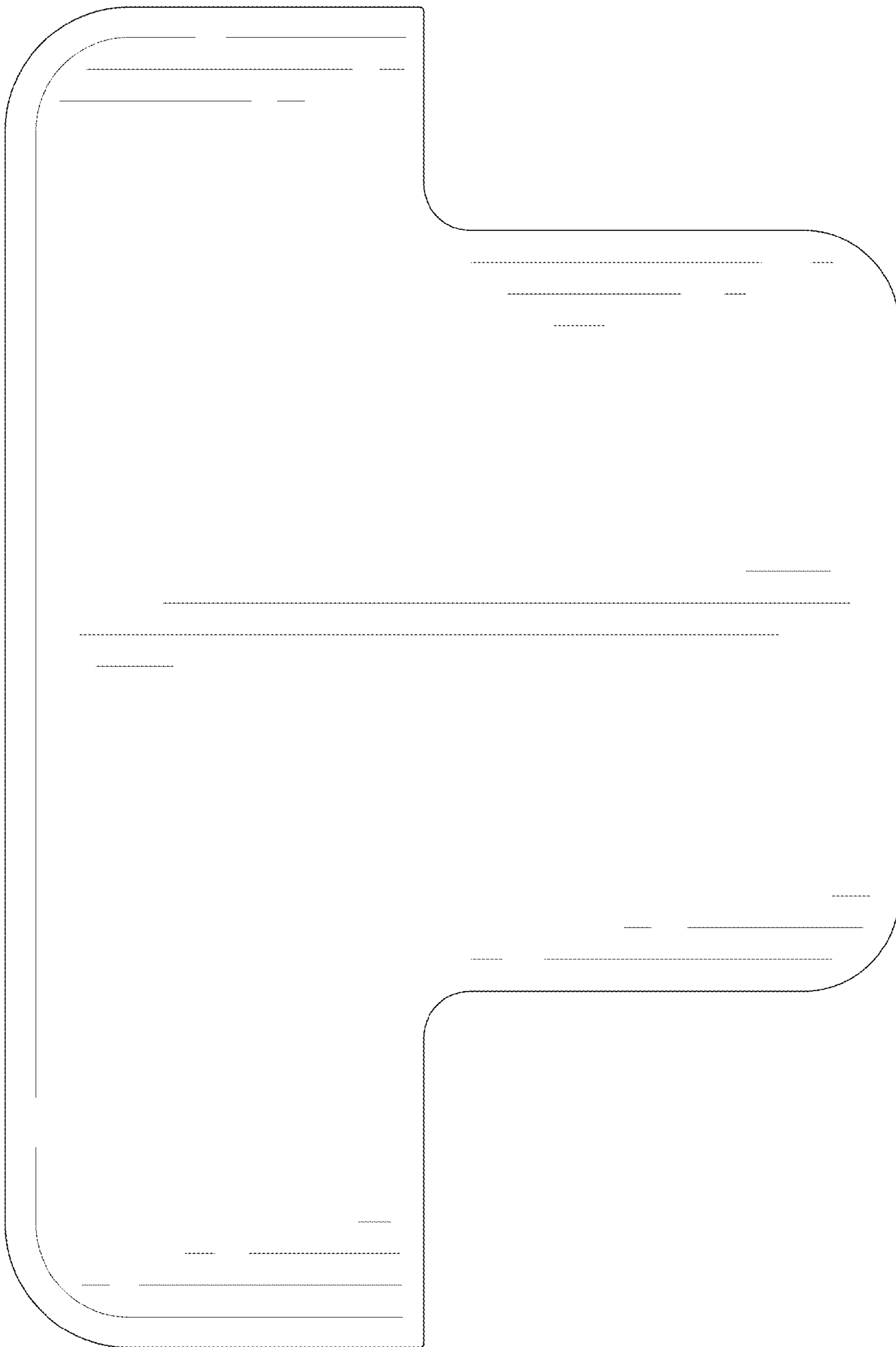


FIG. 12

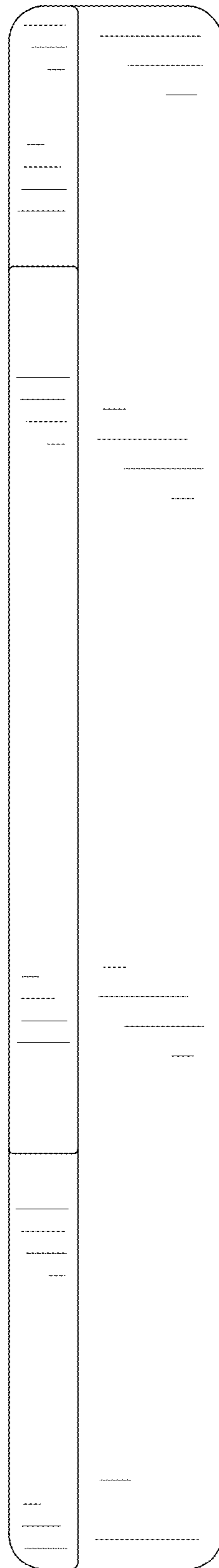


FIG. 13

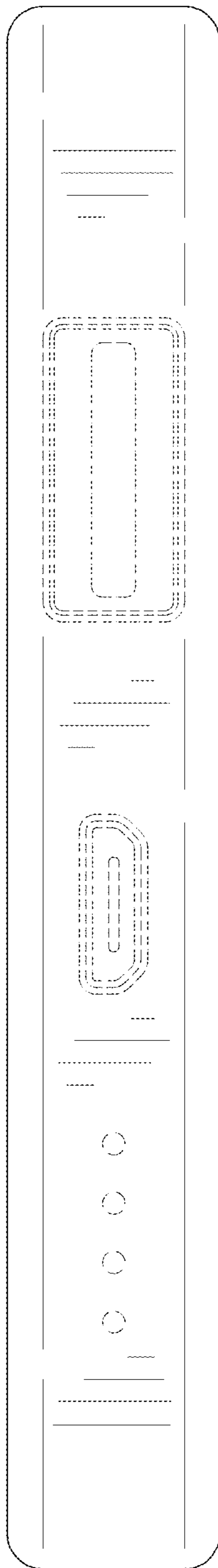


FIG. 14

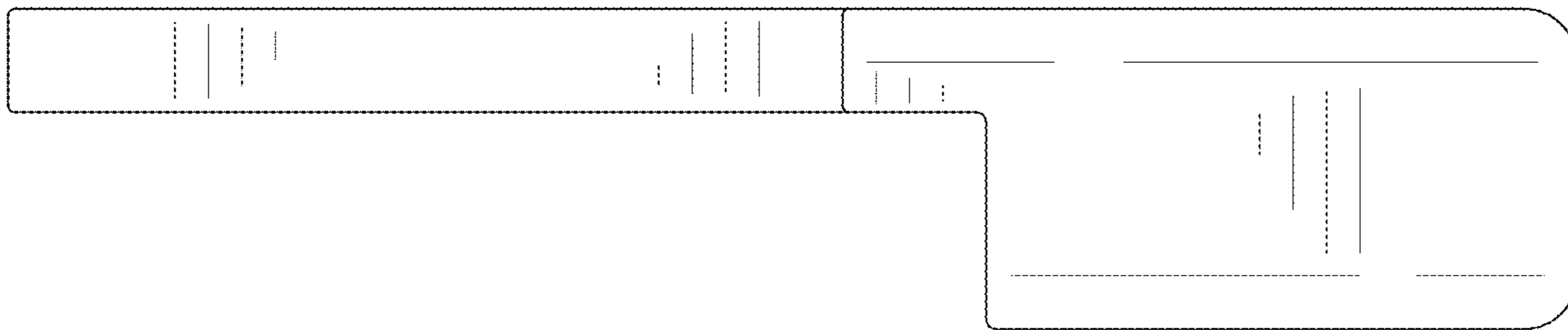


FIG. 15

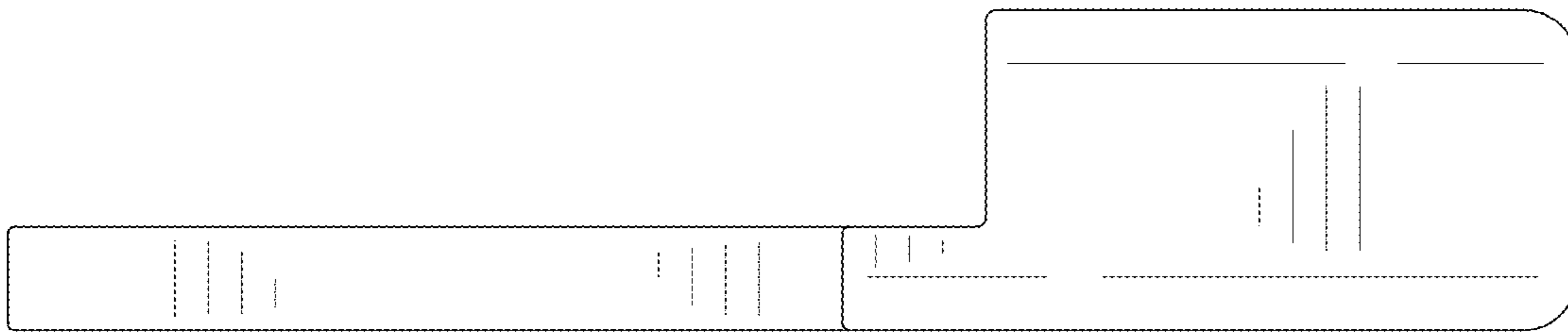


FIG. 16

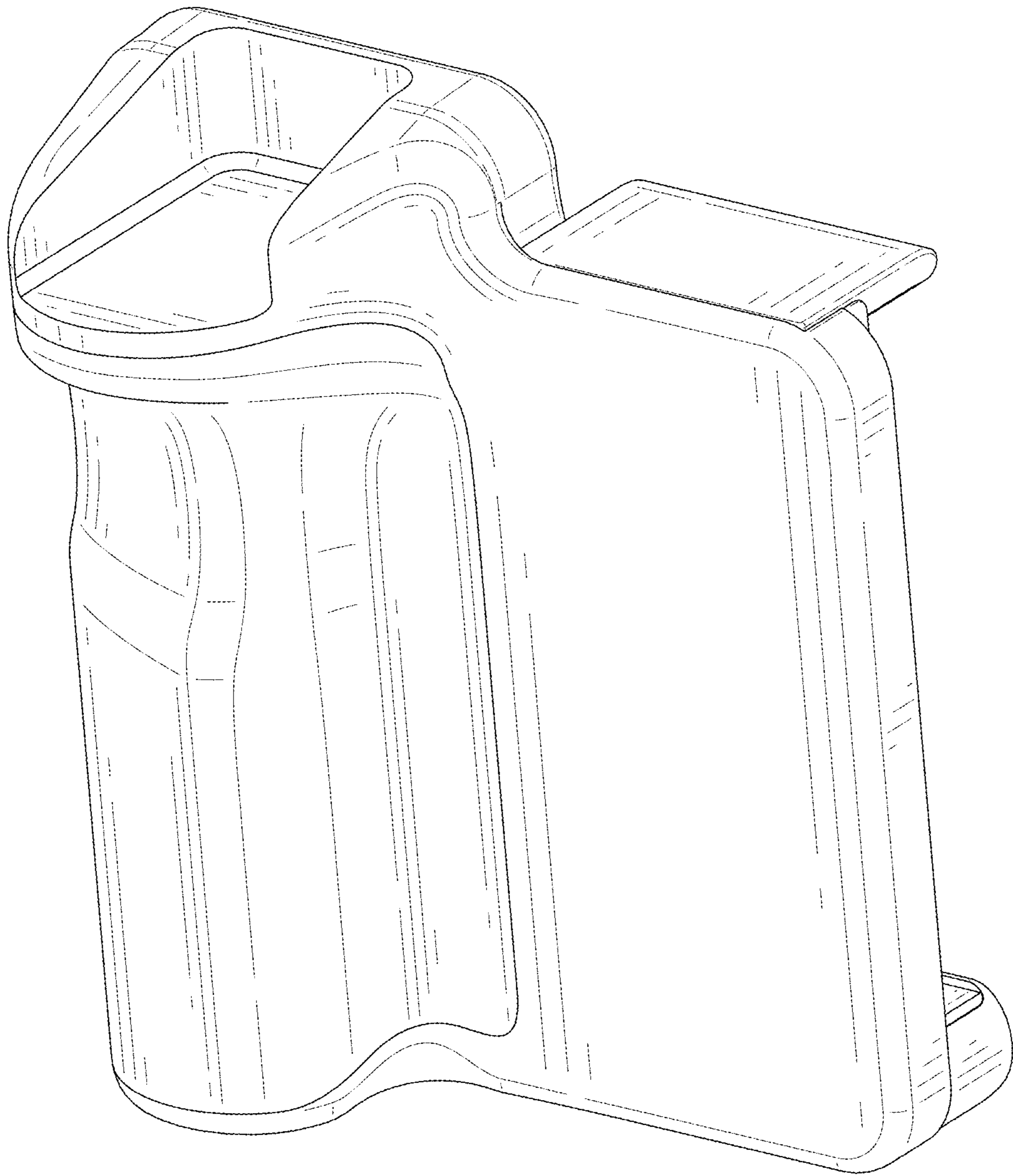


FIG. 17

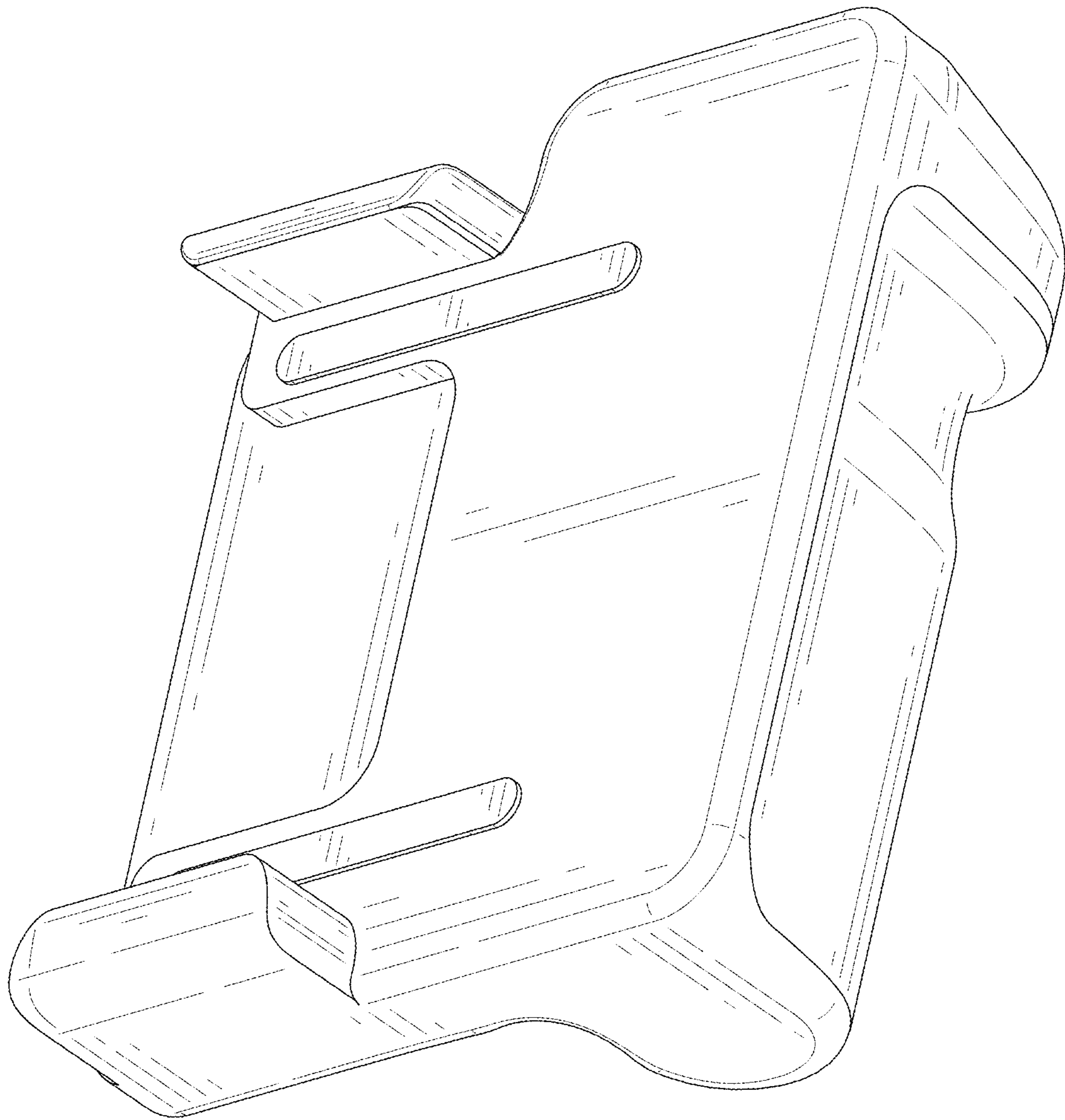


FIG. 18

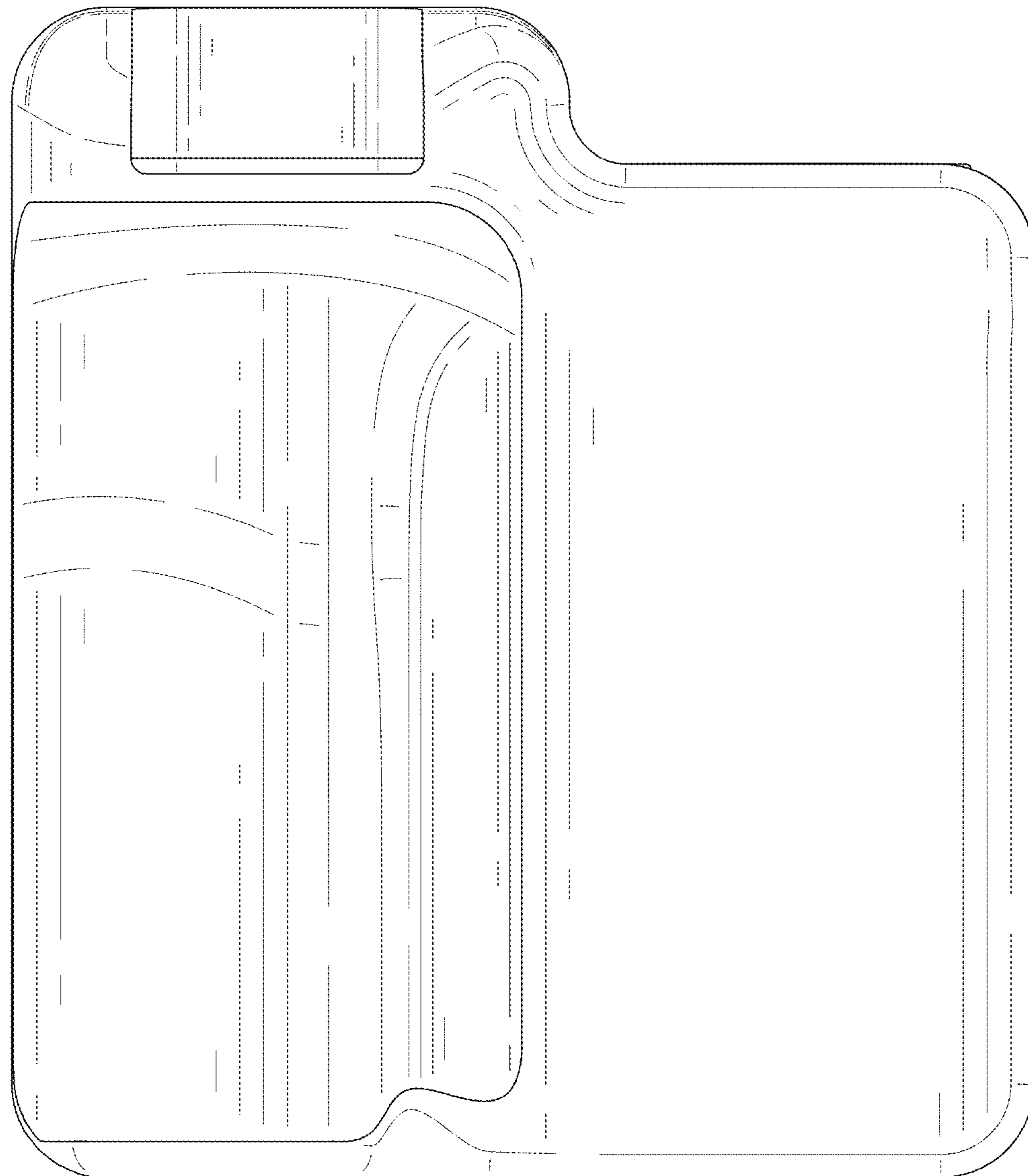


FIG. 19

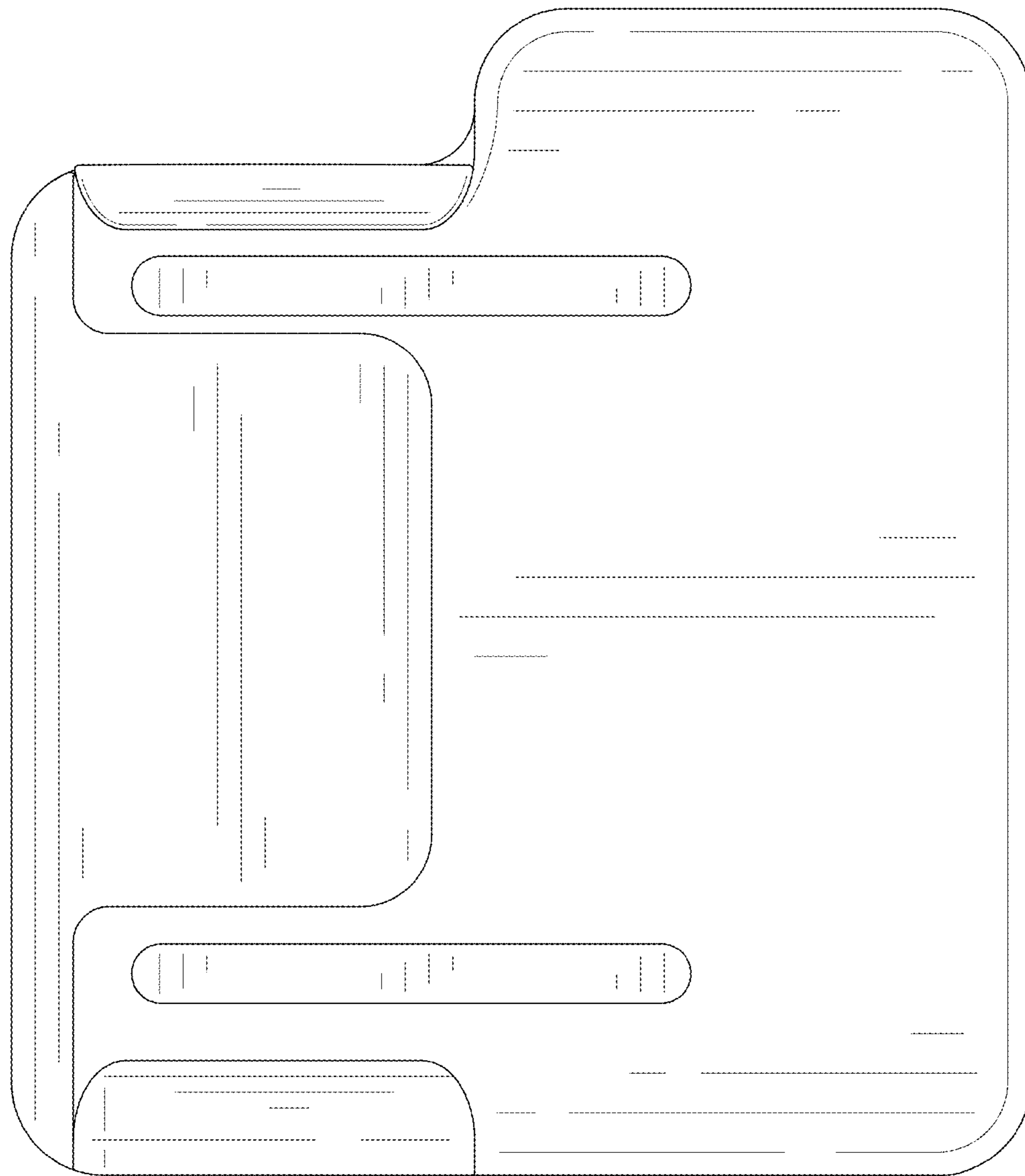


FIG. 20

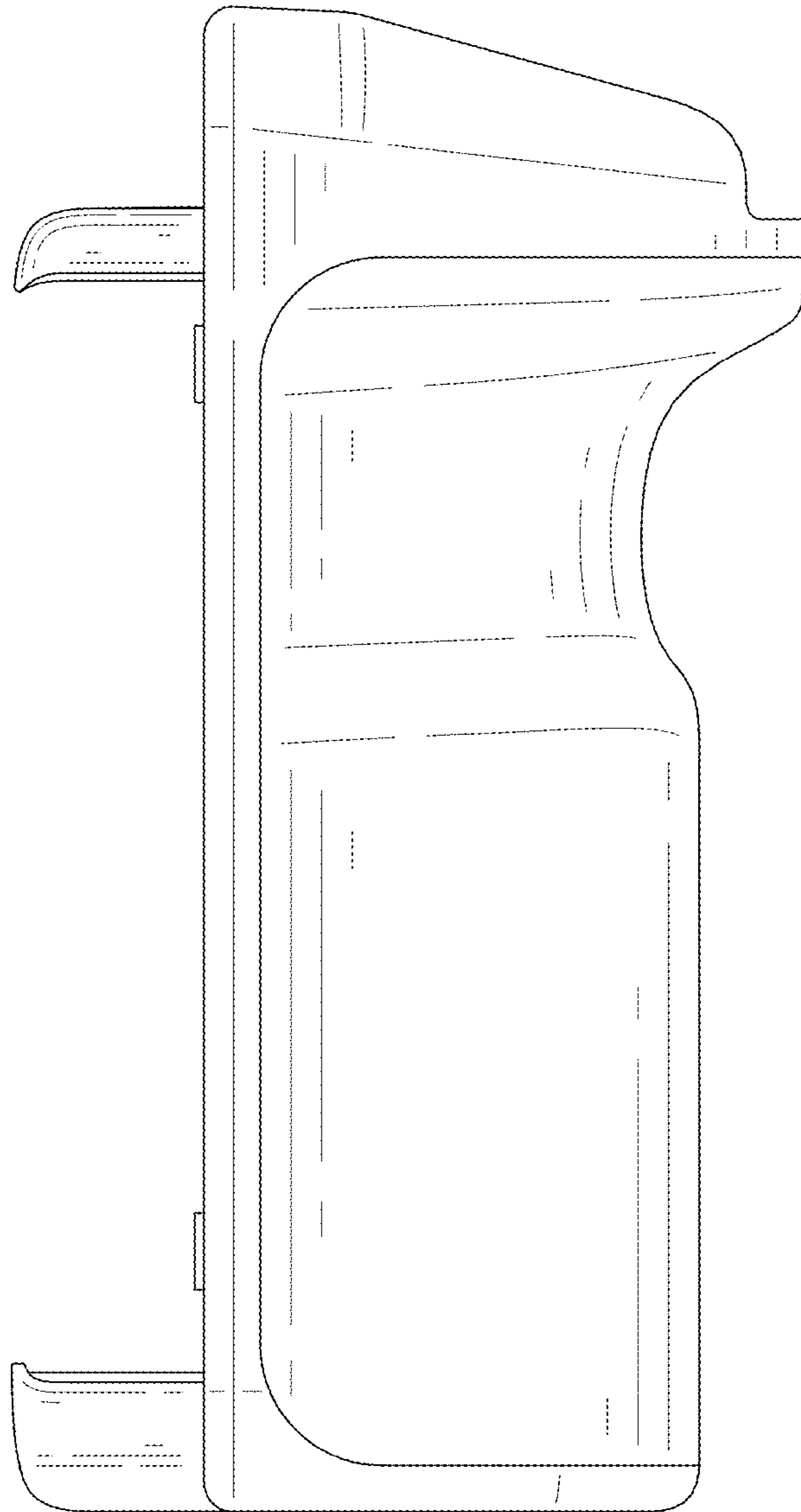


FIG. 21

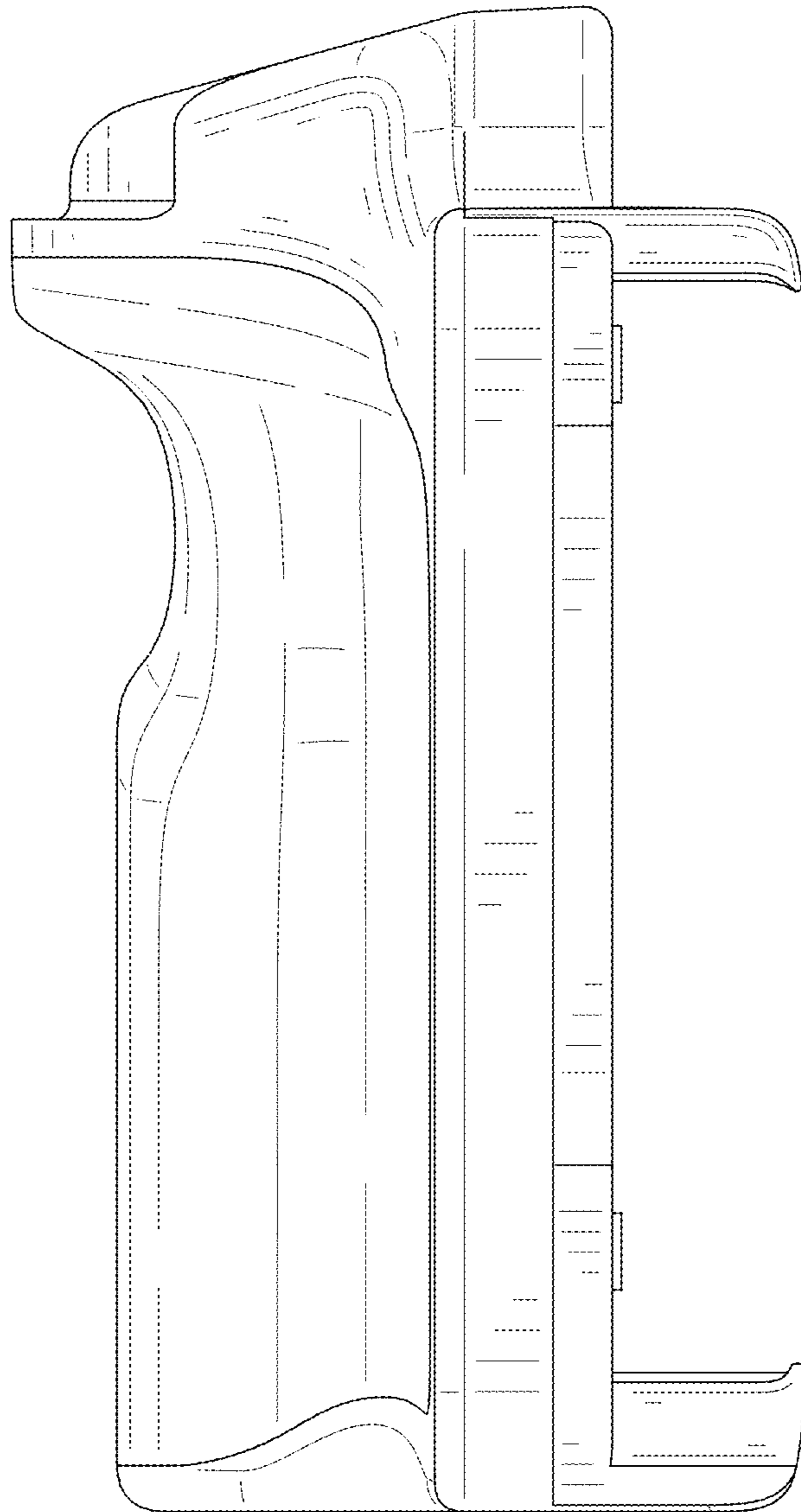


FIG. 22

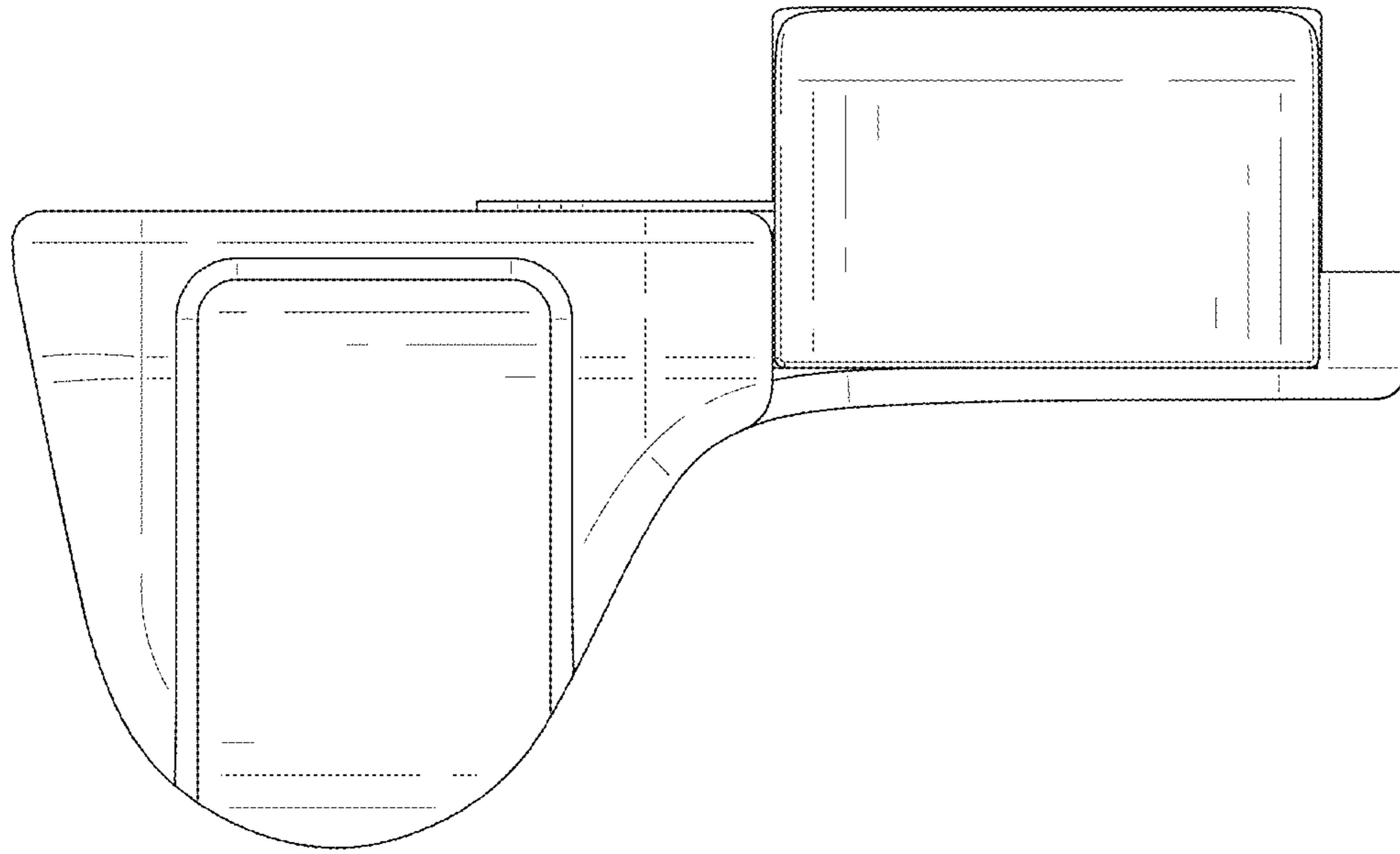


FIG. 23

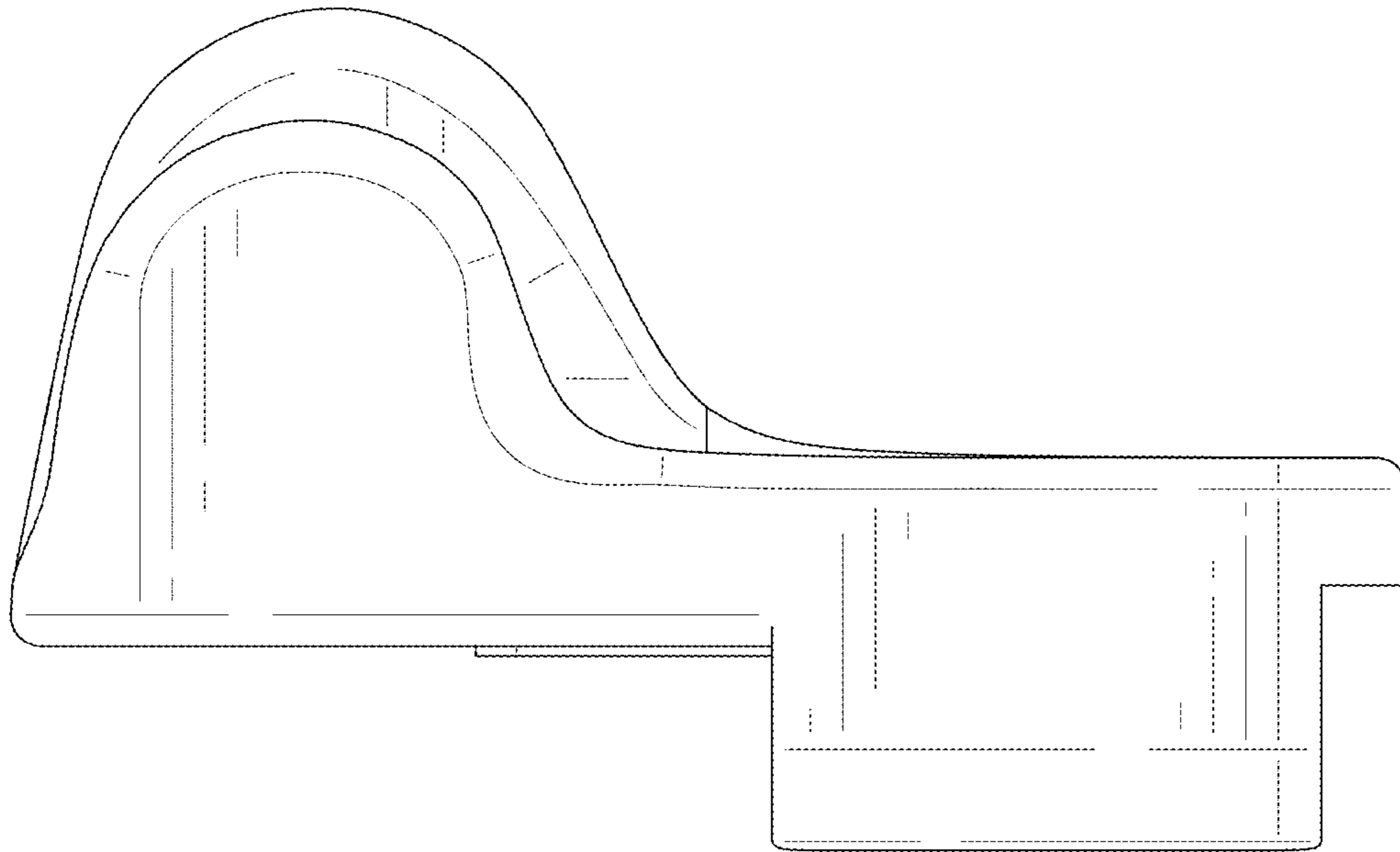


FIG. 24



FIG. 25

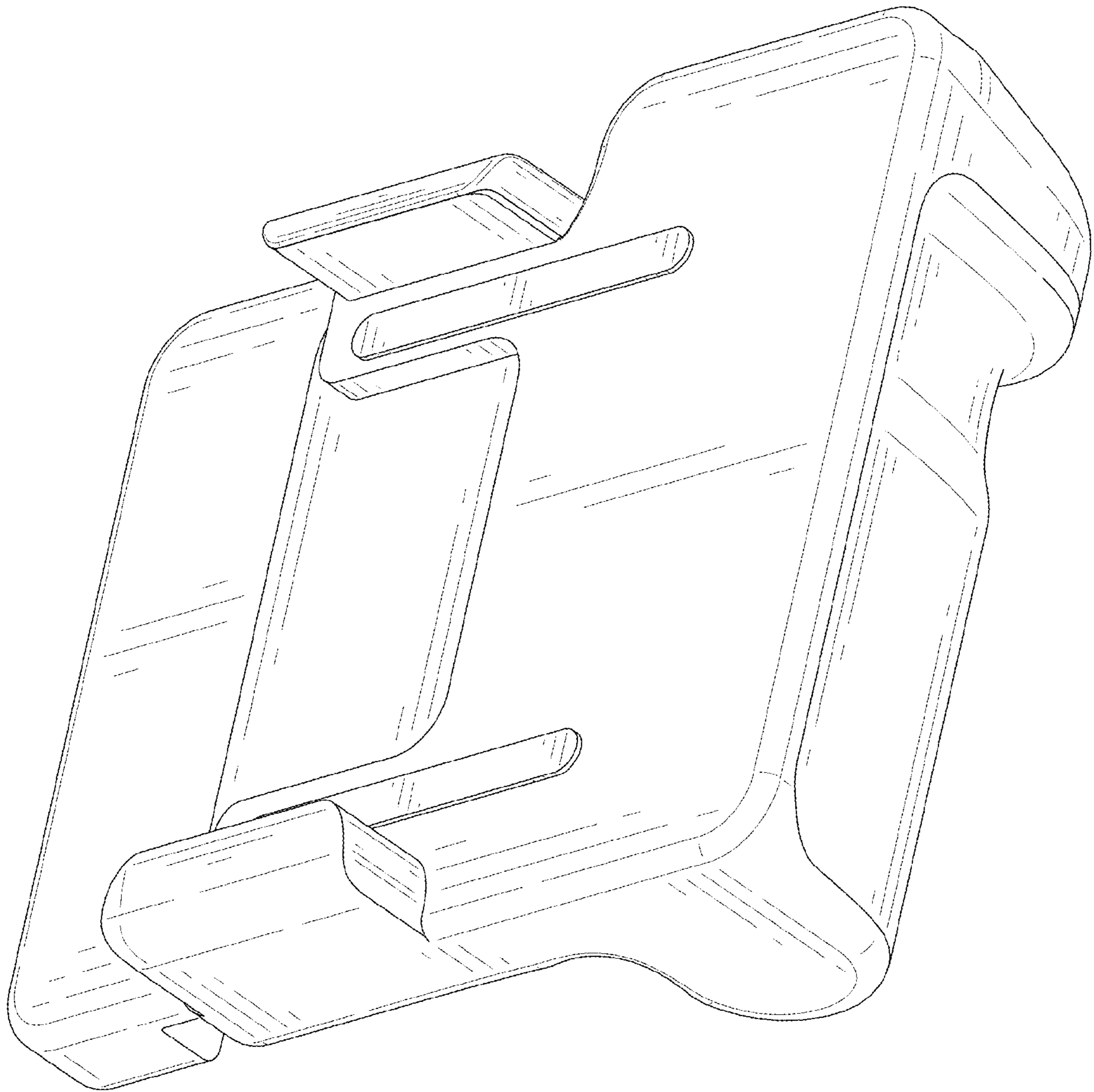


FIG. 26