



US00D953282S

(12) **United States Design Patent**  
**Song et al.**

(10) **Patent No.:** **US D953,282 S**  
(45) **Date of Patent:** **\*\* May 31, 2022**

(54) **ELECTRONIC DEVICE**

- (71) Applicant: **Samsung Electronics Co., Ltd.**, Suwon-si (KR)
- (72) Inventors: **Jun-Yong Song**, Suwon-si (KR);  
**Byoung-Jin Kim**, Suwon-si (KR);  
**Jung-Hyun Choi**, Suwon-si (KR);  
**Woo-Hyeok Jeong**, Suwon-si (KR);  
**Eun-Soo Kim**, Suwon-si (KR)
- (73) Assignee: **SAMSUNG ELECTRONICS CO., LTD.**, Suwon-si (KR)

(\*\*) Term: **15 Years**

(21) Appl. No.: **29/730,435**

(22) Filed: **Apr. 3, 2020**

(30) **Foreign Application Priority Data**

Nov. 20, 2019 (KR) ..... 30-2019-0055425

(51) **LOC (13) Cl.** ..... **14-03**

(52) **U.S. Cl.**  
USPC ..... **D14/138 AB**

(58) **Field of Classification Search**  
USPC ..... D14/341, 342, 345, 348, 426, 138 R,  
D14/138 AA, 138 AB, 138 AC, 138 AD,  
D14/138 C, 203.3, 203.4, 203.7, 247, 248,  
D14/496; D10/50; D21/330; D8/323,  
D8/325; D25/199

(Continued)

(56) **References Cited**

**U.S. PATENT DOCUMENTS**

D814,455 S \* 4/2018 Kwon ..... D14/341  
D859,347 S \* 9/2019 Kwon ..... D14/138 AB

(Continued)

**OTHER PUBLICATIONS**

Samsung Galaxy Z Flip, www.gsmarena.com, Feb. 14, 2020. [https://www.gsmarena.com/samsung\\_galaxy\\_z\\_flip-10054.php](https://www.gsmarena.com/samsung_galaxy_z_flip-10054.php) (Year: 2020).\*  
(Continued)

*Primary Examiner* — Llorellys Martinez  
*Assistant Examiner* — Kwabena A. Ankobiah  
(74) *Attorney, Agent, or Firm* — McAndrews Held & Malloy, Ltd.

(57) **CLAIM**

The ornamental design for an electronic device, as shown and described.

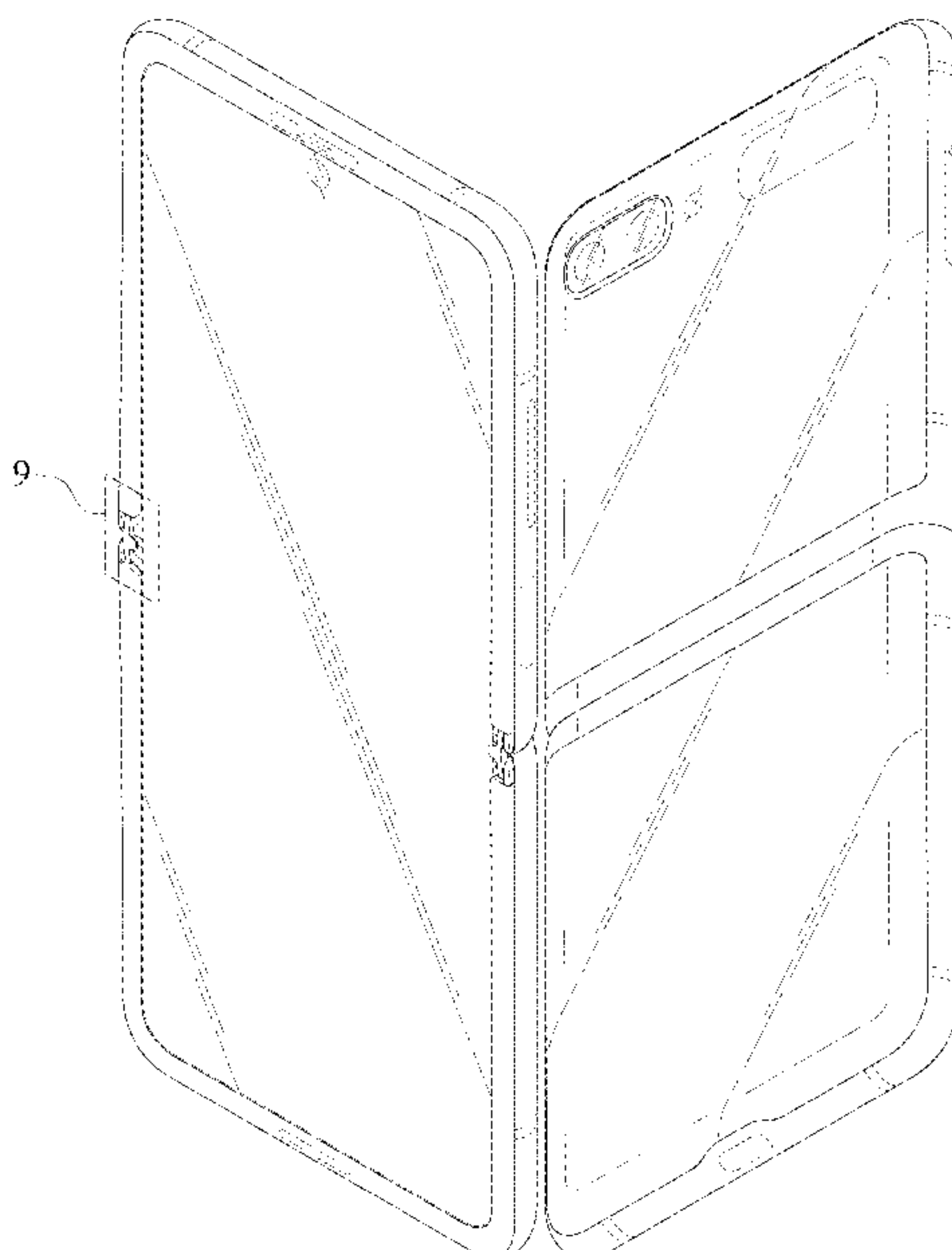
**DESCRIPTION**

FIG. 1 is a front perspective view of an electronic device showing our new design;  
FIG. 2 is a front elevation view thereof;  
FIG. 3 is a rear elevation view thereof;  
FIG. 4 is a left side elevation view thereof;  
FIG. 5 is a right side elevation view thereof;  
FIG. 6 is a top plan view thereof;  
FIG. 7 is a bottom plan view thereof;  
FIG. 8 is a rear perspective view thereof;  
FIG. 9 is an enlarged view thereof, taken from the encircled portion 9 in FIG. 1; and,  
FIG. 10 is an enlarged view thereof, taken from the encircled portion 10 in FIG. 2.

The dashed broken lines in the figures illustrate portions of the electronic device that form no part of the claimed design. The dot-dash broken lines in the figures delineating portions of the claimed design that are illustrated in enlargements form no part of the claimed design.

The dot-dash broken lines encircling a portion of the electronic device in FIGS. 1, 2, 9, and 10 are included to show a partially enlarged view only and form no part of the claimed design.

**1 Claim, 10 Drawing Sheets**



(58) **Field of Classification Search**

CPC ..... G06F 3/041; G06F 3/0412; G06F 3/0488;  
G06F 3/04883; G06F 1/1613; G06F  
1/1686; G06F 1/1626; G06F 1/1692;  
G06F 2200/1633; H04M 1/0283; H04M  
1/0279; H04M 1/0202; H04M 1/0266;  
H04M 1/027

See application file for complete search history.

(56) **References Cited**

U.S. PATENT DOCUMENTS

D901,419 S \* 11/2020 Lee ..... D14/138 AB  
D902,167 S \* 11/2020 Lee ..... D14/138 AB  
D904,380 S \* 12/2020 Seo ..... D14/248  
D905,670 S \* 12/2020 Seo ..... D14/248  
D920,313 S \* 5/2021 Seo ..... D14/248  
D920,316 S \* 5/2021 Seo ..... D14/248  
D926,150 S \* 7/2021 Xie ..... D14/138 AB  
D926,183 S \* 7/2021 Lim ..... D14/341

OTHER PUBLICATIONS

Samsung Galaxy Z Flip Review, [www.theverge.com](http://www.theverge.com), Feb. 21, 2020.  
<https://www.theverge.com/2020/2/21/21146465/samsung-galaxy-z-flip-review-folding-glass-flip-phone-screen-camera-price> (Year: 2020).\*

Galaxy Z Flip Design & Specs Rumors, [www.samma3a.com](http://www.samma3a.com), Feb. 9, 2020. <https://www.samma3a.com/tech/en/galaxy-z-flip-rumors/> (Year: 2020).\*

Motorola Razr (2020) REVIEW, [www.theverge.com](http://www.theverge.com), Oct. 28, 2020.  
<https://www.theverge.com/21536546/motorola-razr-2020-review-5g-folding-flip> (Year: 2020).\*

\* cited by examiner

FIG. 1

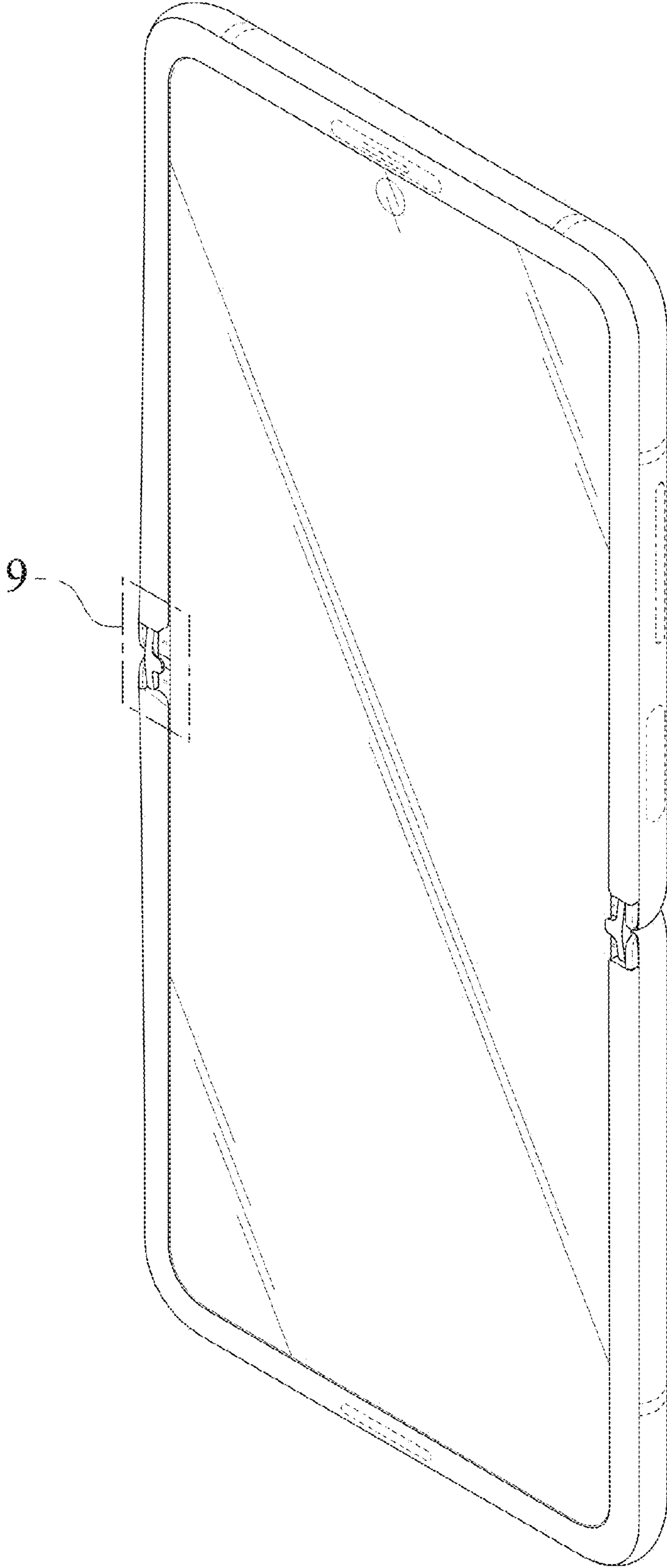


FIG. 2

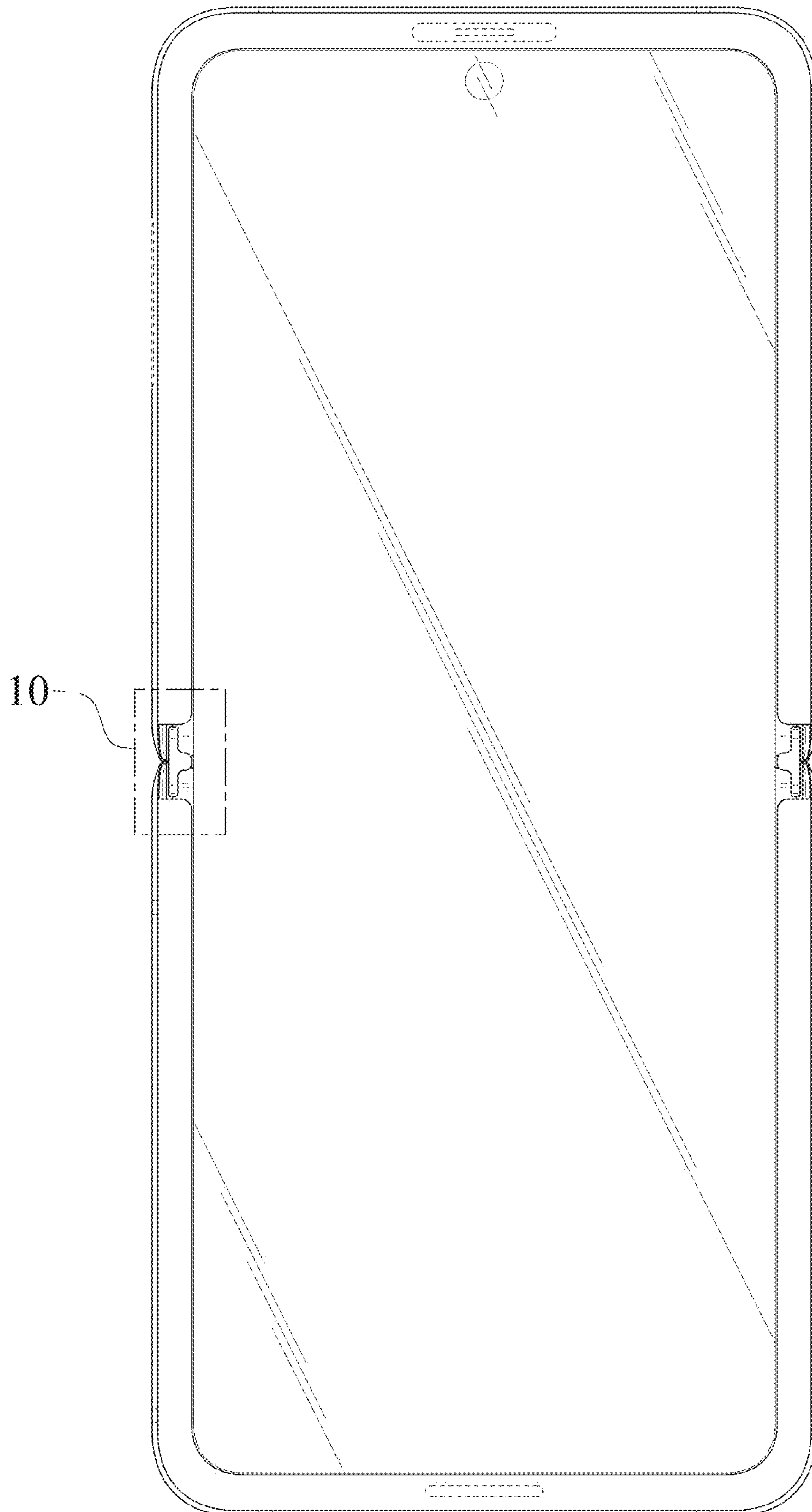


FIG. 3

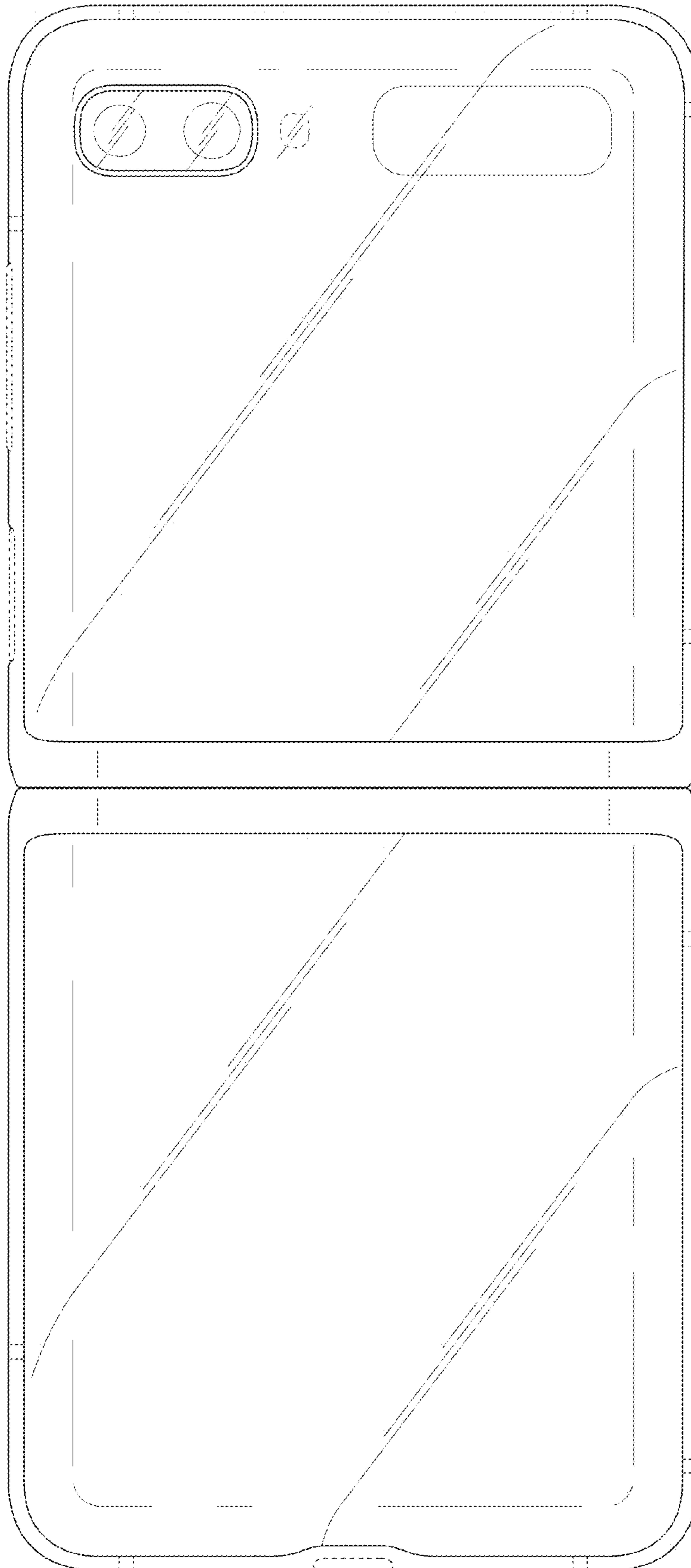




FIG. 4

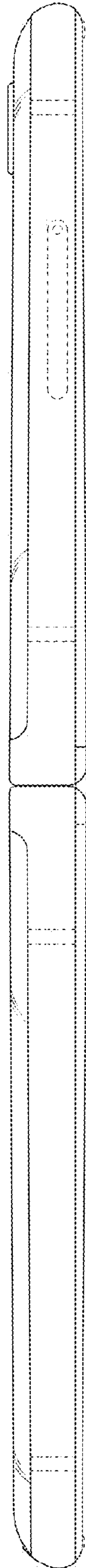


FIG. 5

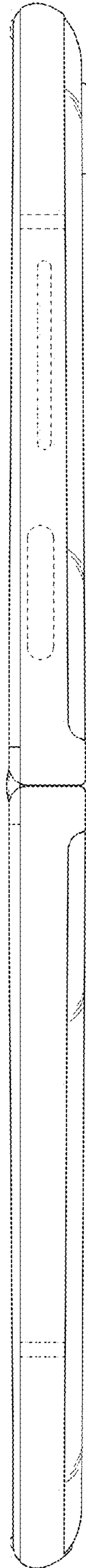


FIG. 6

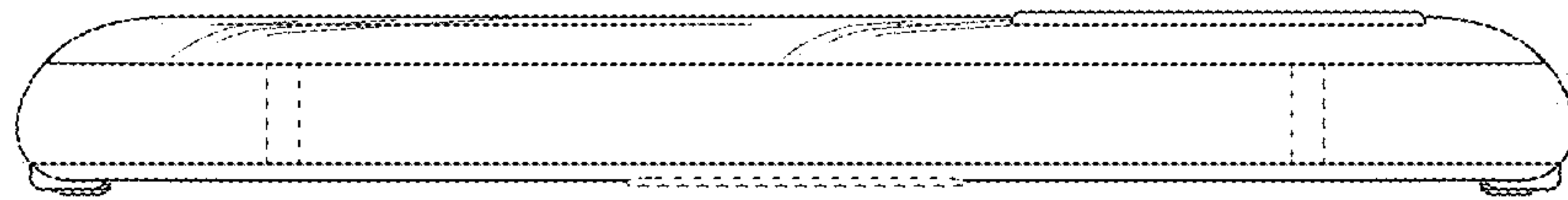




FIG. 7

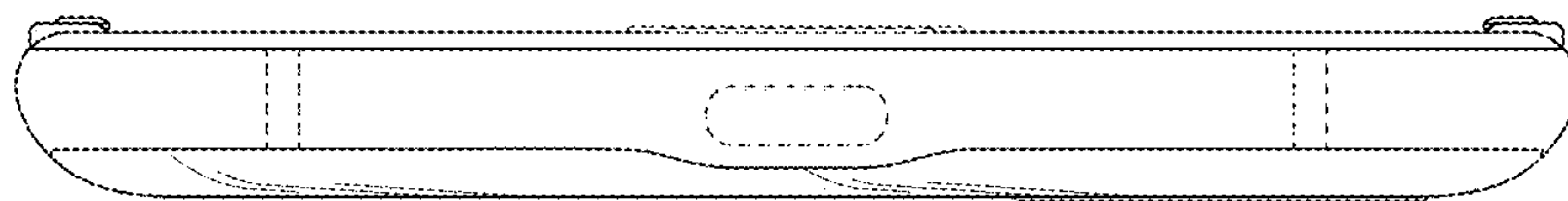


FIG. 8

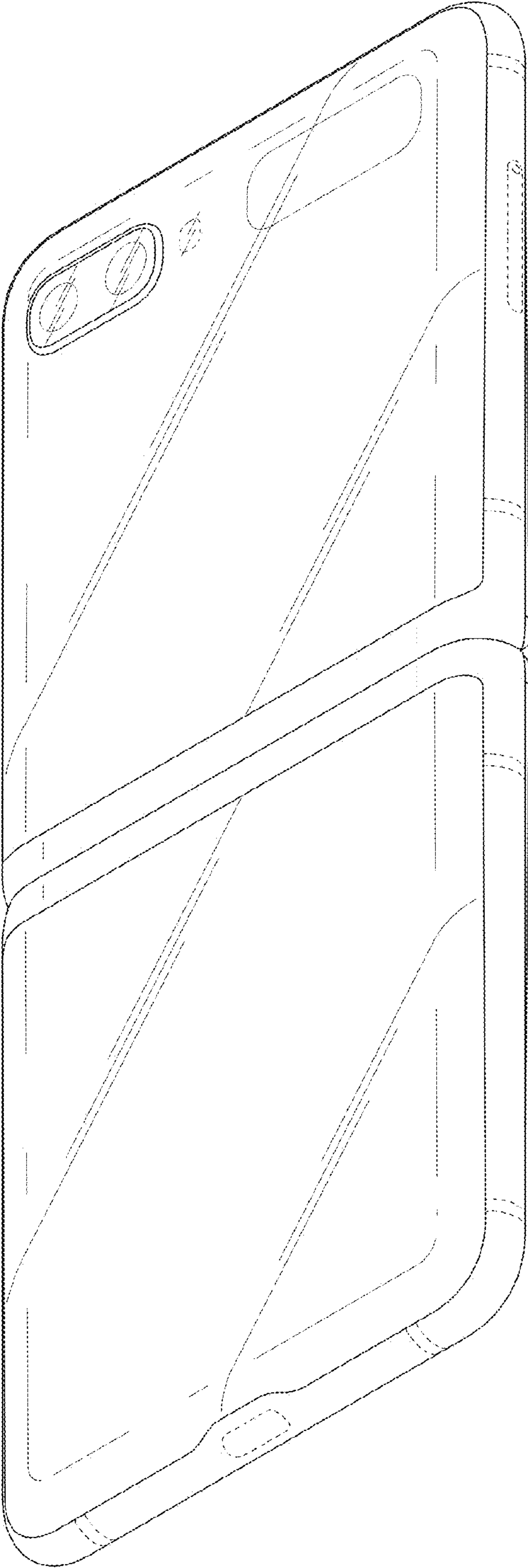


FIG. 9

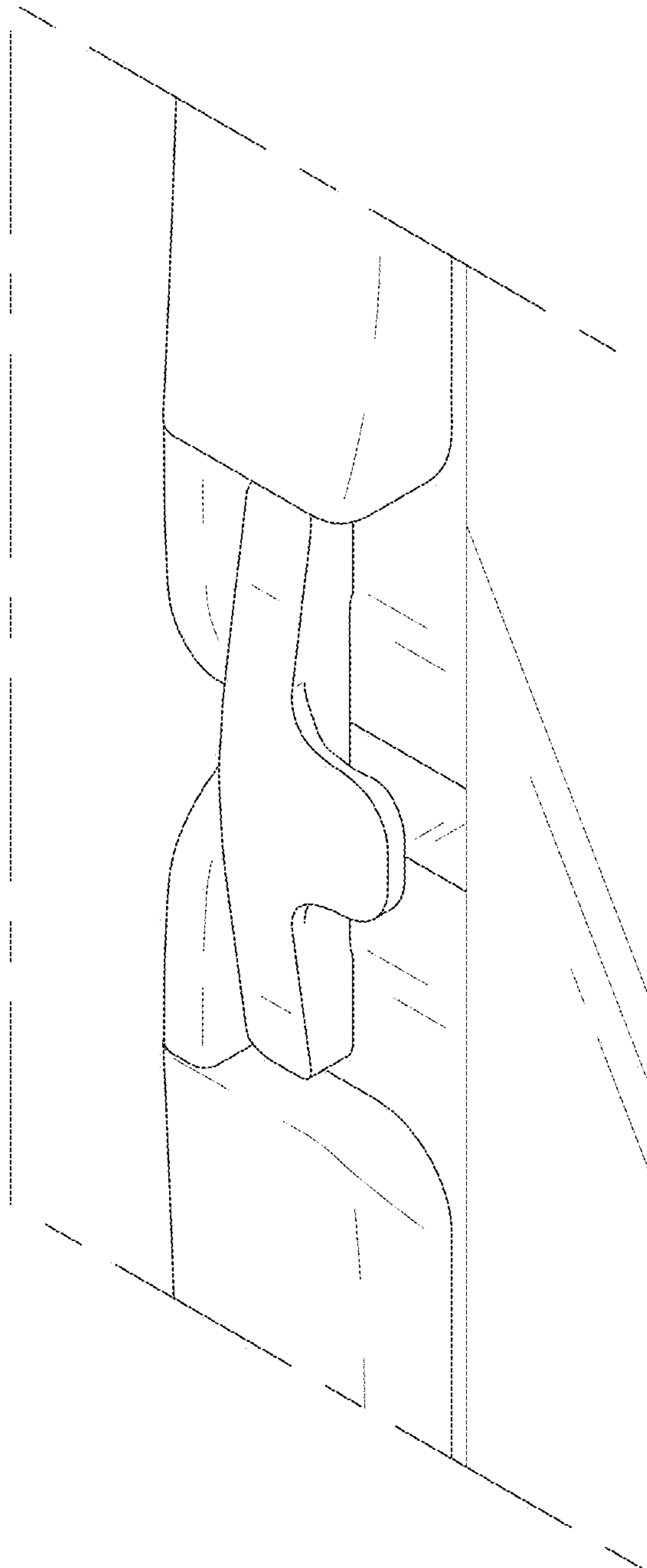


FIG. 10

