



US00D953281S

(12) **United States Design Patent**
VanDuyn et al.

(10) **Patent No.:** **US D953,281 S**

(45) **Date of Patent:** **** May 31, 2022**

(54) **TELEVISION TUNER DEVICE**
(71) Applicant: **Sling TV L.L.C.**, Englewood, CO (US)
(72) Inventors: **Luke VanDuyn**, Conifer, CO (US);
Neil T. Marten, Lakewood, CO (US)
(73) Assignee: **Sling TV L.L.C.**, Englewood, CO (US)
(**) Term: **15 Years**

(21) Appl. No.: **29/752,172**
(22) Filed: **Sep. 25, 2020**
(51) **LOC (13) Cl.** **14-03**
(52) **U.S. Cl.**
USPC **D14/125**
(58) **Field of Classification Search**
USPC D14/240, 242, 357, 358, 140-140.9, 155,
D14/137, 139, 243, 433, 125-134, 239,
D14/371, 374-377, 440, 450, 448, 336,
D14/342, 159, 314-316, 322, 326,
D14/334-335, 339, 340, 341, 356,
D14/215-218; D21/329, 515, 333, 331,
D21/505; D10/15, 26; D6/300
CPC H04L 12/00; H03K 17/00; H04W 88/00;
H04W 88/005; H04W 88/02; H04W
88/08; H04W 88/085; H04W 88/10;
H04W 88/12; H04W 88/14; G06F
1/1601; G06F 1/1643; H05K 5/0004;
H05K 5/0017; H05K 5/02; H05K 5/0217
See application file for complete search history.

(56) **References Cited**
U.S. PATENT DOCUMENTS

D568,268 S *	5/2008	Lee	D14/126
D621,391 S *	8/2010	Douglas	D14/240
D667,007 S *	9/2012	Huang	D14/358
D669,073 S *	10/2012	Wu	D14/358
D675,596 S *	2/2013	Kusuki	D14/210
D697,901 S *	1/2014	Gao	D14/240
D724,050 S *	3/2015	Sogabe	D14/188
D743,943 S *	11/2015	Kim	D14/218

D817,312 S *	5/2018	Lee	D14/240
D819,632 S *	6/2018	Lin	D14/358
D835,360 S *	12/2018	Lown	D30/153
D848,976 S *	5/2019	Yoon	D14/216
D853,998 S *	7/2019	Hasegawa	D14/242
D856,318 S *	8/2019	Ramones	D14/242
D862,436 S *	10/2019	Ramones	D14/242
D880,444 S *	4/2020	Bembridge	D14/140.6

(Continued)

OTHER PUBLICATIONS

Sling TV Introduces AirTV Anywhere, Featuring Whole-Home DVR Solution and Quad Tuner for Viewing Over-The-Air Channels, first available Sep. 10, 2020, sling.com, [online], [site visited Jan. 11, 2022], Available from internet URL: <https://news.sling.com/2020-09-10-SLING-TV-introduces-AirTV-Anywhere-featuring-whole-home-DVR-solution-and-quad-tuner-for-viewing-over-the-air-channels> (Year: 2020).*

Primary Examiner — Samantha Q Lawrence
Assistant Examiner — Holly M Rodriguez
(74) *Attorney, Agent, or Firm* — Kilpatrick Townsend & Stockton LLP

(57) **CLAIM**

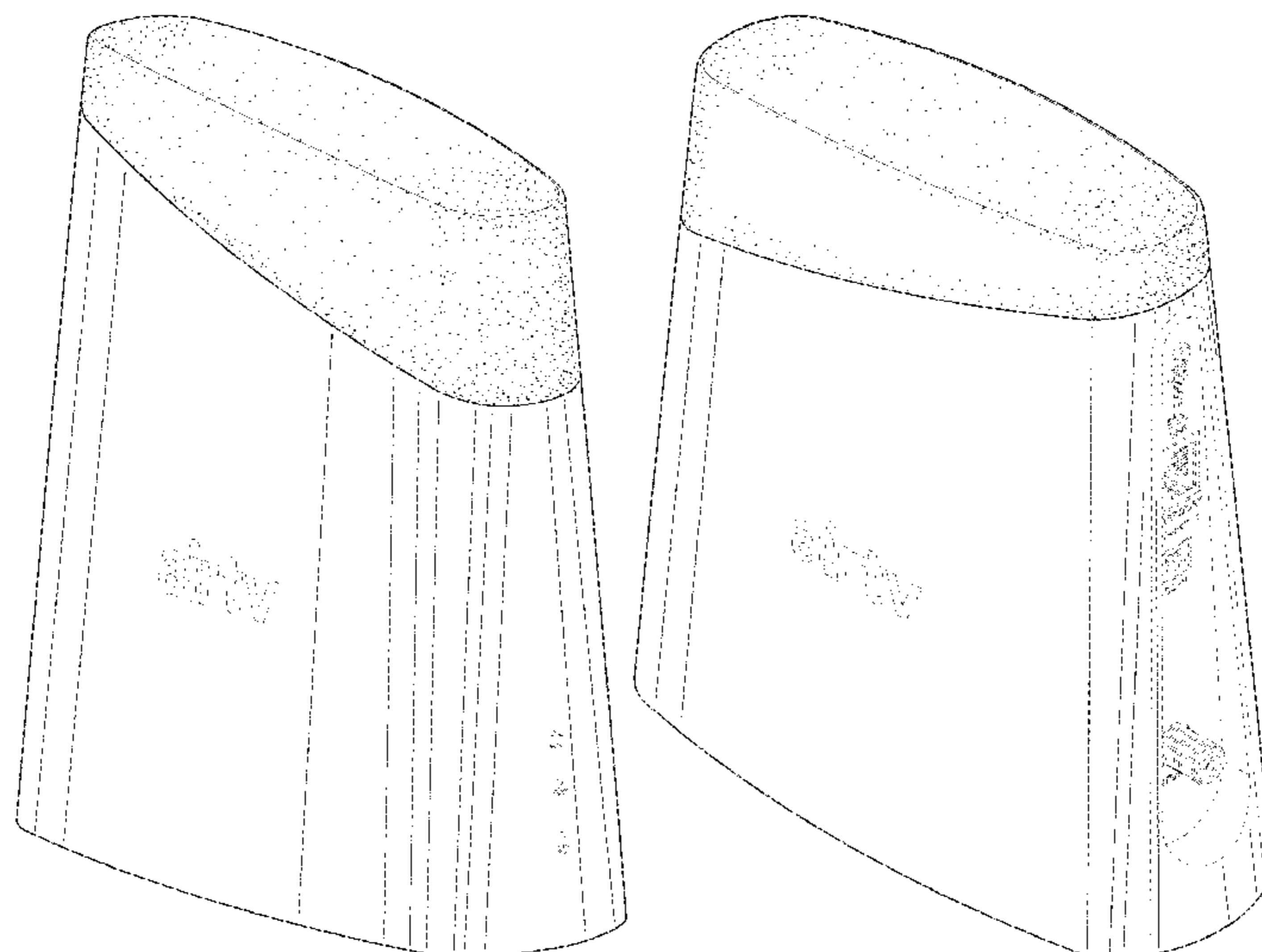
The ornamental design for a television tuner device, as shown and described.

DESCRIPTION

FIG. 1 is a front left perspective view of a television tuner device, showing our new design;
FIG. 2 is a rear right perspective view thereof;
FIG. 3 is a front elevation view thereof;
FIG. 4 is a rear elevation view thereof;
FIG. 5 is a left elevation view thereof;
FIG. 6 is a right elevation view thereof;
FIG. 7 is a top plan view thereof; and,
FIG. 8 is a bottom plan view thereof.

The broken lines illustrate portions of the television tuner device that forms no part of the claimed design.

1 Claim, 8 Drawing Sheets



(56)

References Cited

U.S. PATENT DOCUMENTS

D886,054 S	*	6/2020	Liao	D13/108
D919,794 S	*	5/2021	Lee	D23/366
D922,889 S	*	6/2021	Kentley-Klay	D10/70
D938,946 S	*	12/2021	Harley	D14/242
D940,709 S	*	1/2022	Da Silva	D14/371

* cited by examiner

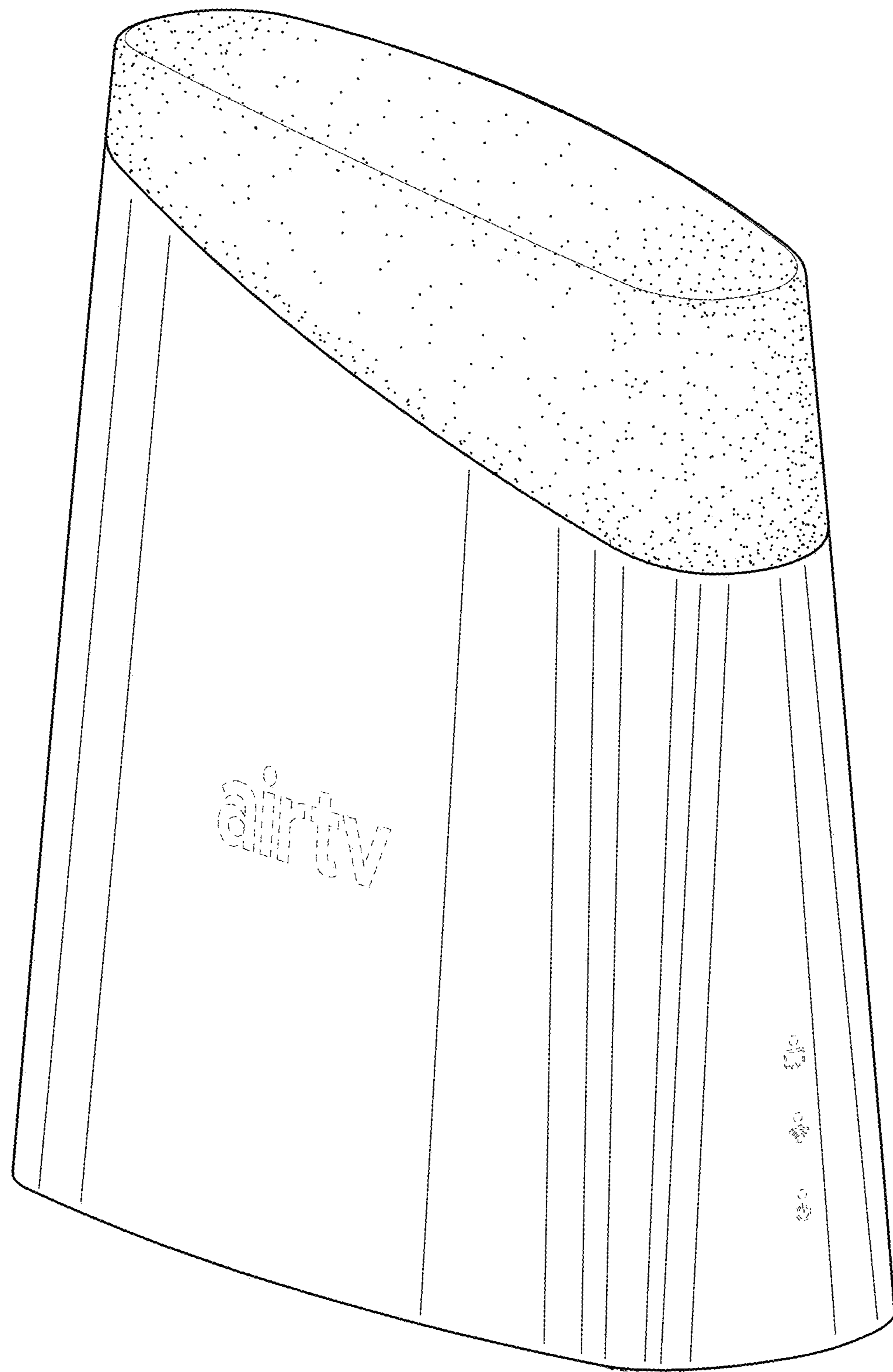


FIG. 1

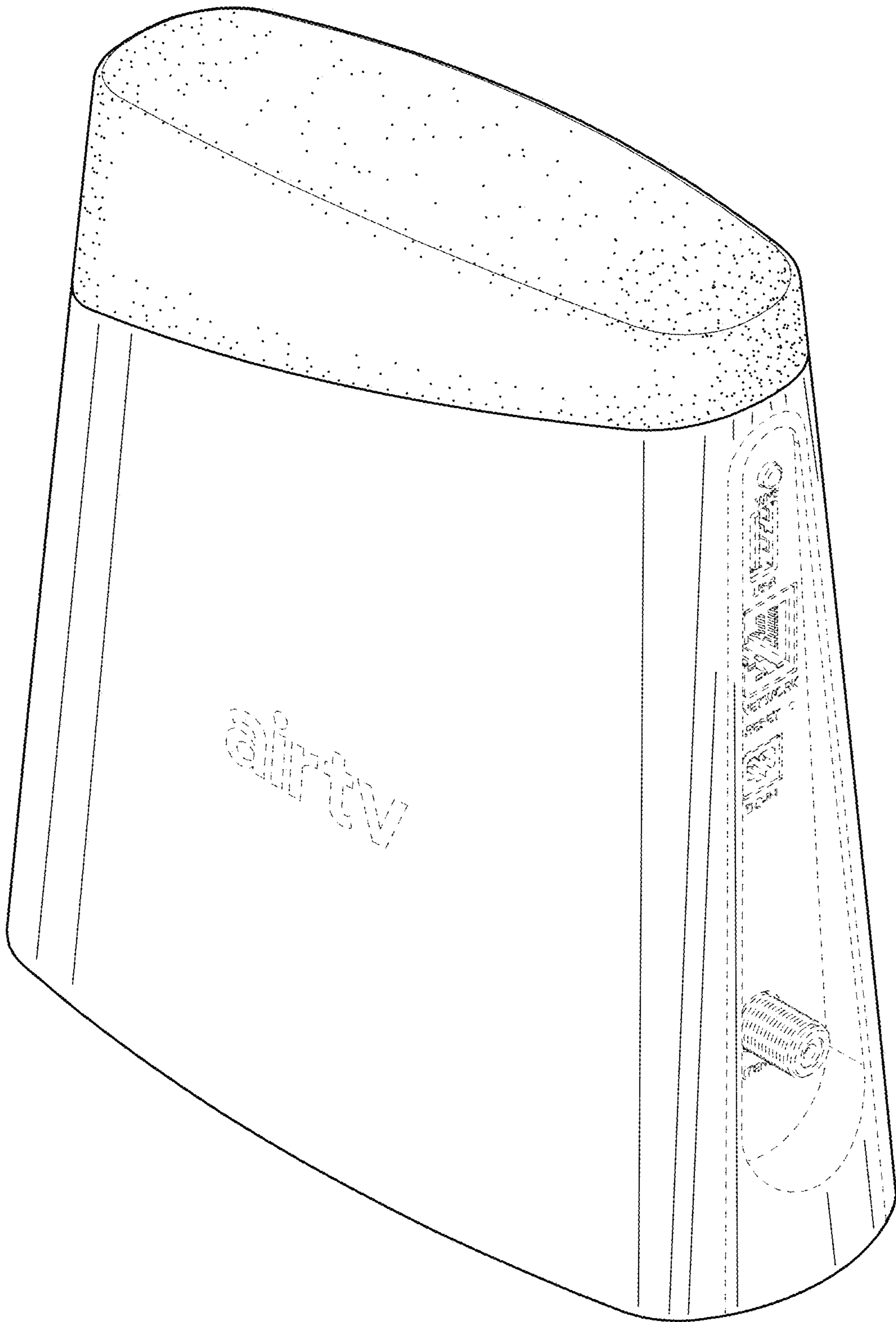


FIG. 2

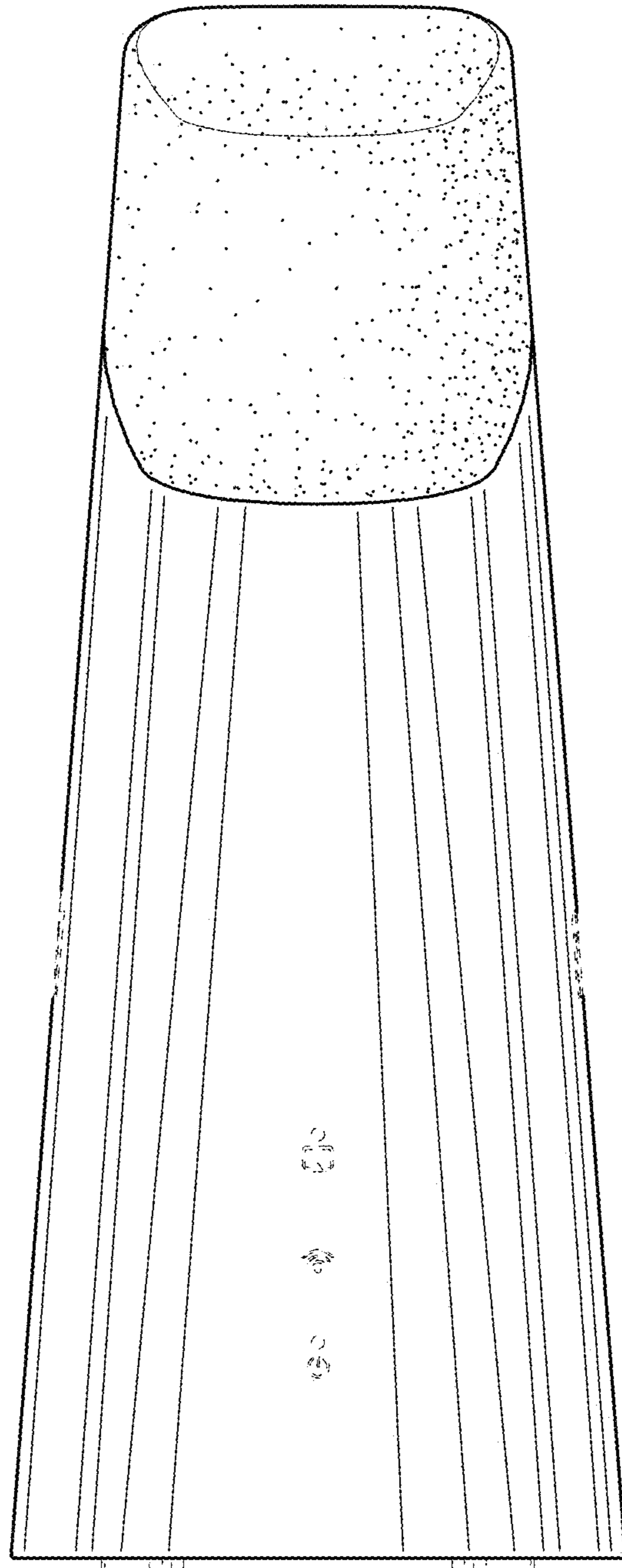


FIG. 3

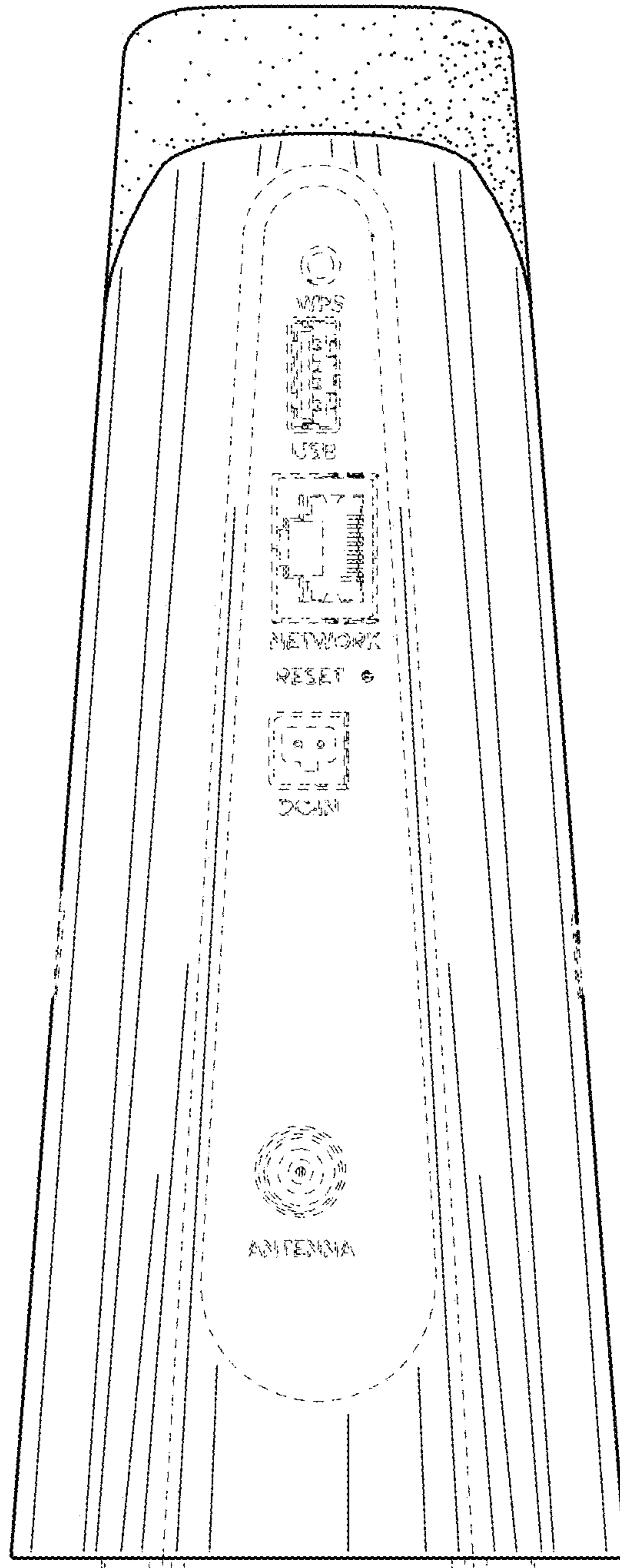


FIG. 4

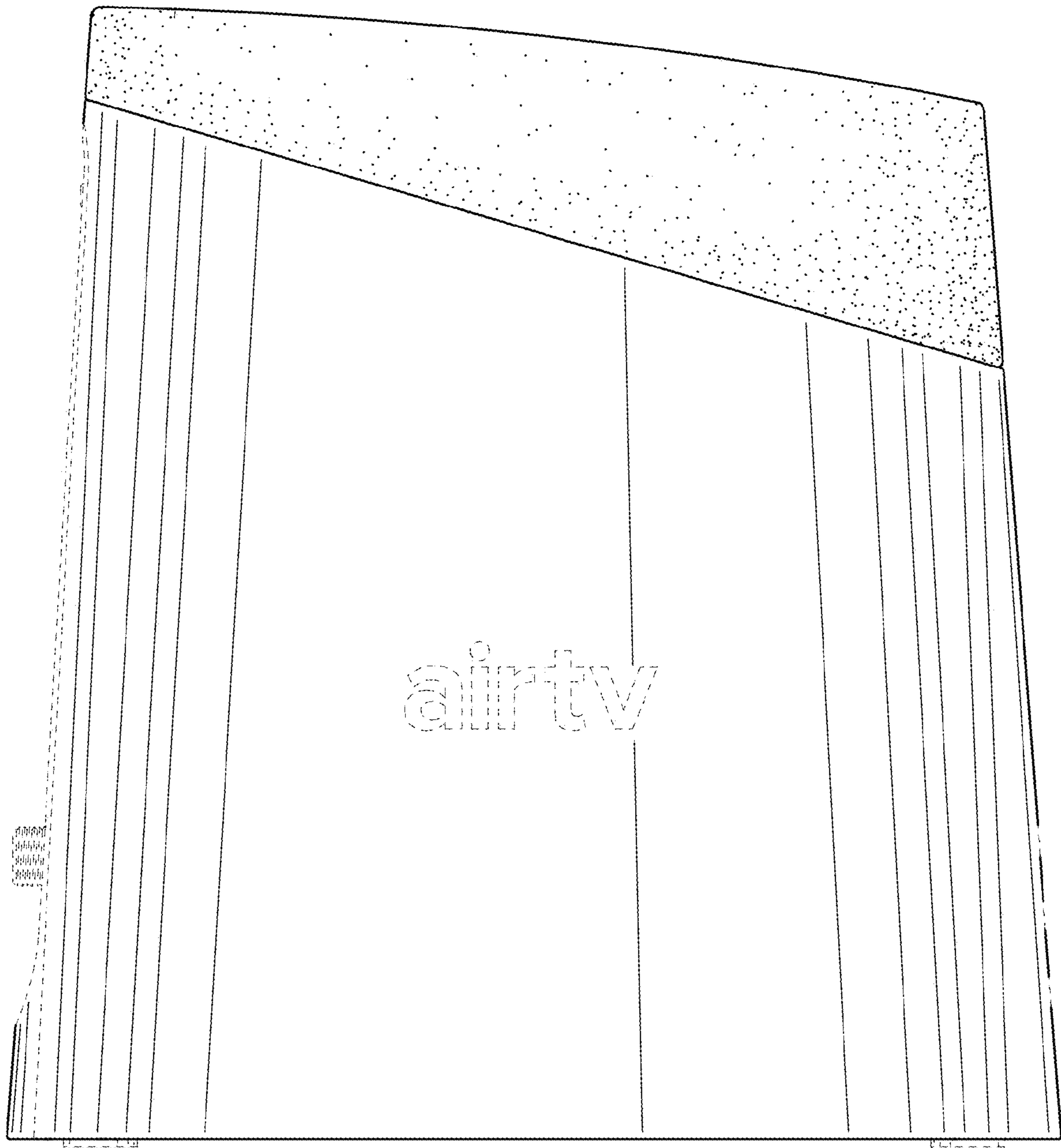


FIG. 5

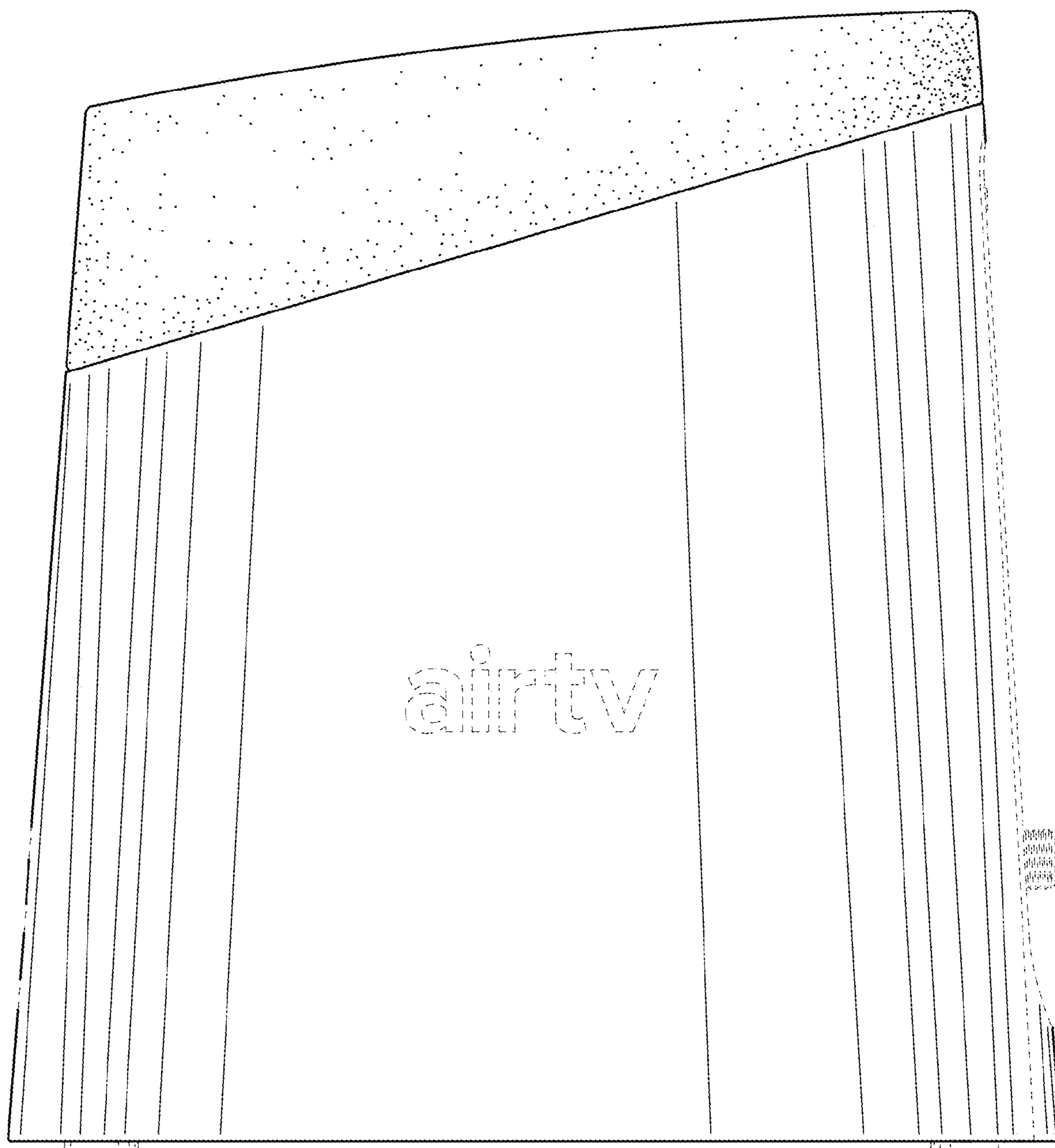


FIG. 6

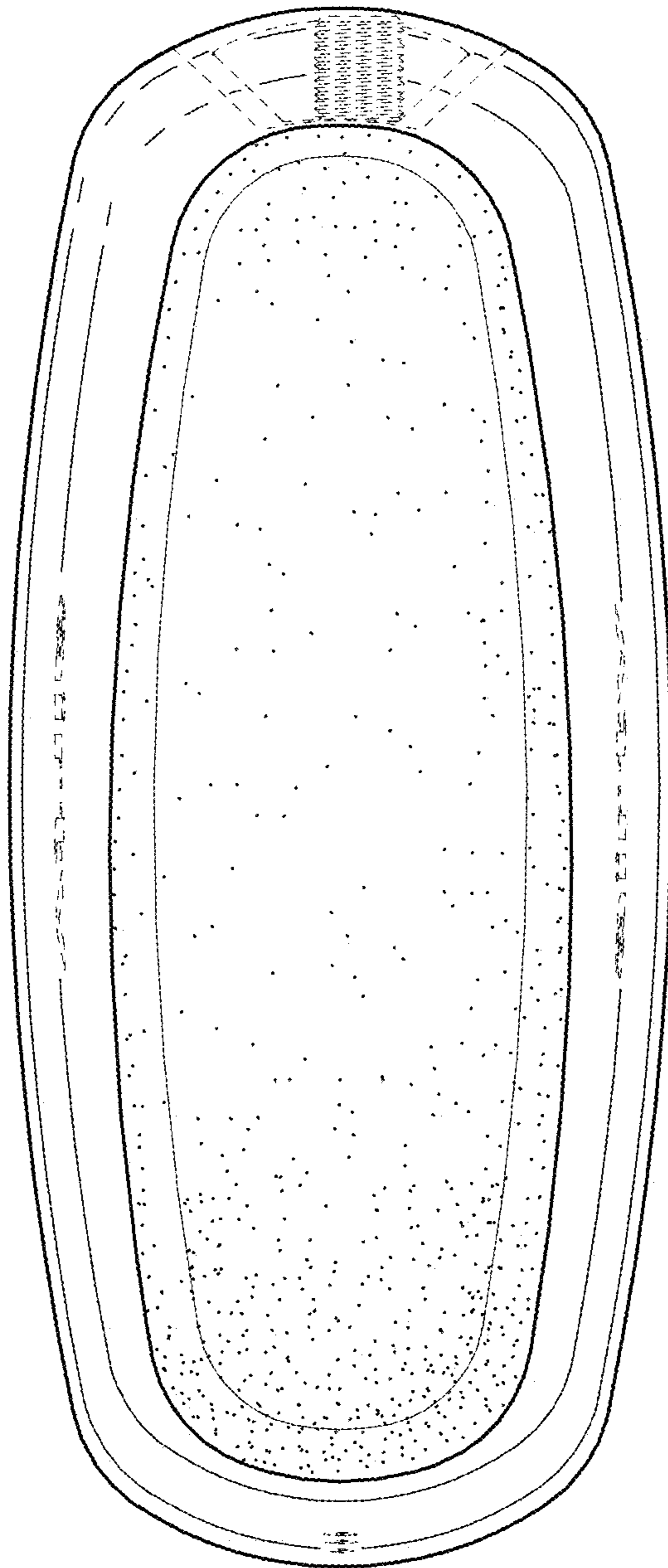


FIG. 7

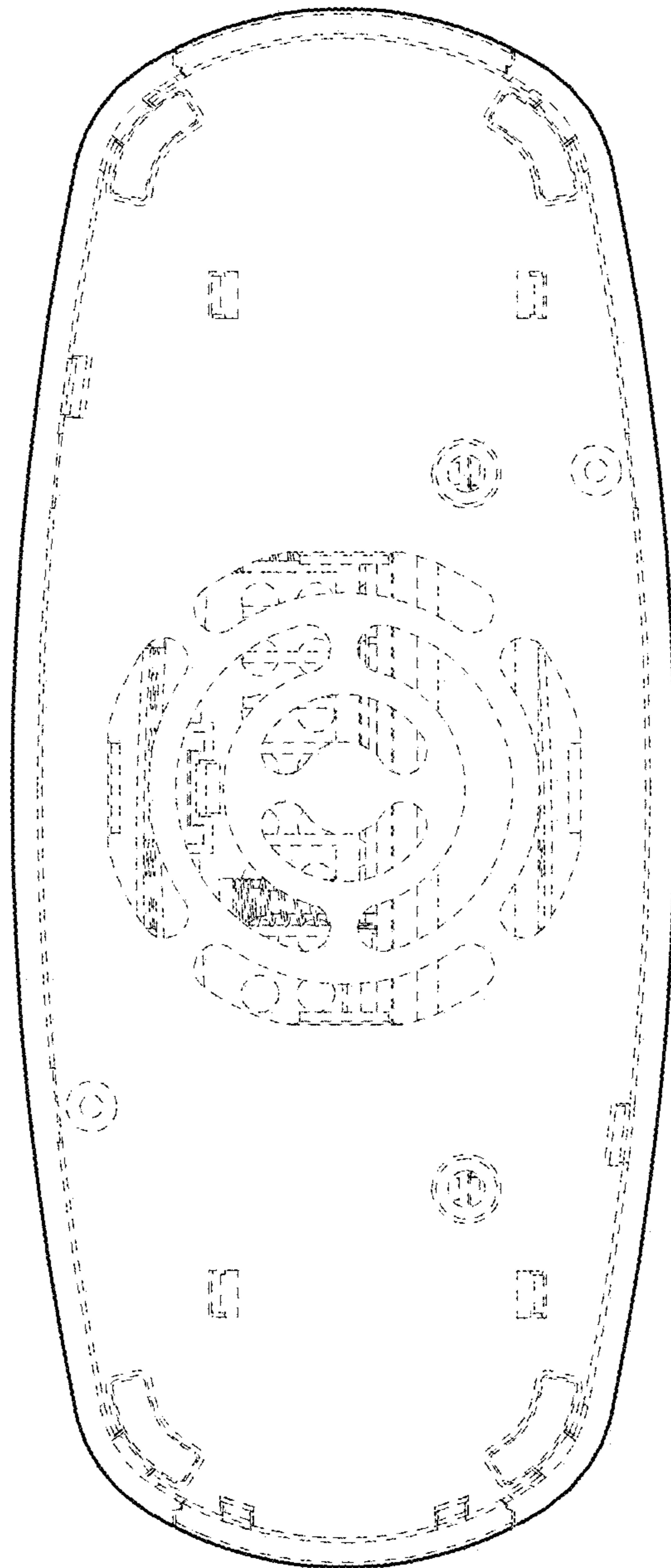


FIG. 8