



US00D953279S

(12) **United States Design Patent** (10) **Patent No.:** **US D953,279 S**
Rehak et al. (45) **Date of Patent:** **** May 31, 2022**

(54) **WALL MOUNTED BUTTON PANEL** 6,535,202 B1 * 3/2003 Amari H01H 13/705
341/23
(71) Applicant: **Crestron Electronics, Inc.**, Rockleigh, NJ (US) D633,874 S * 3/2011 Feldstein D13/164
8,098,029 B2 1/2012 Newman, Jr. et al.
8,102,375 B1 * 1/2012 Feldstein G06F 3/02
341/23
(72) Inventors: **William Rehak**, Oradell, NJ (US); **Sae Jhun**, Bayside, NY (US); **Wendy Feldstein**, Old Tappan, NJ (US) D714,736 S * 10/2014 O'Donnell D13/164
9,389,769 B1 * 7/2016 O'Keeffe G02B 6/0078
D792,358 S * 7/2017 Poulheim D13/164
D797,685 S * 9/2017 Mosolygo D13/164
9,965,047 B2 * 5/2018 Kirkpatrick H05B 45/20
D831,588 S * 10/2018 Fiedler D13/164
(73) Assignee: **Crestron Electronics, Inc.**, Rockleigh, NJ (US) 10,102,742 B2 10/2018 Dimberg et al.
10,109,181 B2 10/2018 Dimberg et al.
10,211,013 B2 2/2019 Dimberg
D859,326 S * 9/2019 Cox D13/164
(**) Term: **15 Years** 10,446,019 B2 10/2019 Dimberg et al.
10,475,333 B2 11/2019 Dimberg et al.
(21) Appl. No.: **29/764,022**
(22) Filed: **Dec. 28, 2020**
(51) **LOC (13) Cl.** **13-03**
(52) **U.S. Cl.**
USPC **D13/164**
(58) **Field of Classification Search**
USPC D13/162, 164, 171
CPC .. H01H 3/12; H01H 9/02; H01H 9/16; H01H 9/18; H01H 9/181; H01H 9/182; H01H 13/04; H01H 13/06; H01H 13/14; H01H 2009/187; H05B 39/02; H05B 39/04; H05B 39/085; H05B 39/086; H05B 39/088; G08C 17/02; H03K 17/96; H03K 17/962
See application file for complete search history.

(56) **References Cited**
U.S. PATENT DOCUMENTS
4,246,494 A 1/1981 Foreman et al.
4,939,428 A 7/1990 DePauli
4,963,793 A 10/1990 DePauli
5,196,782 A 3/1993 D'Aleo et al.
5,336,979 A 8/1994 Watson et al.
5,485,058 A 1/1996 Watson et al.
5,999,083 A * 12/1999 Kordecki H01C 10/103
338/113
D450,043 S * 11/2001 Mosebrook D13/164

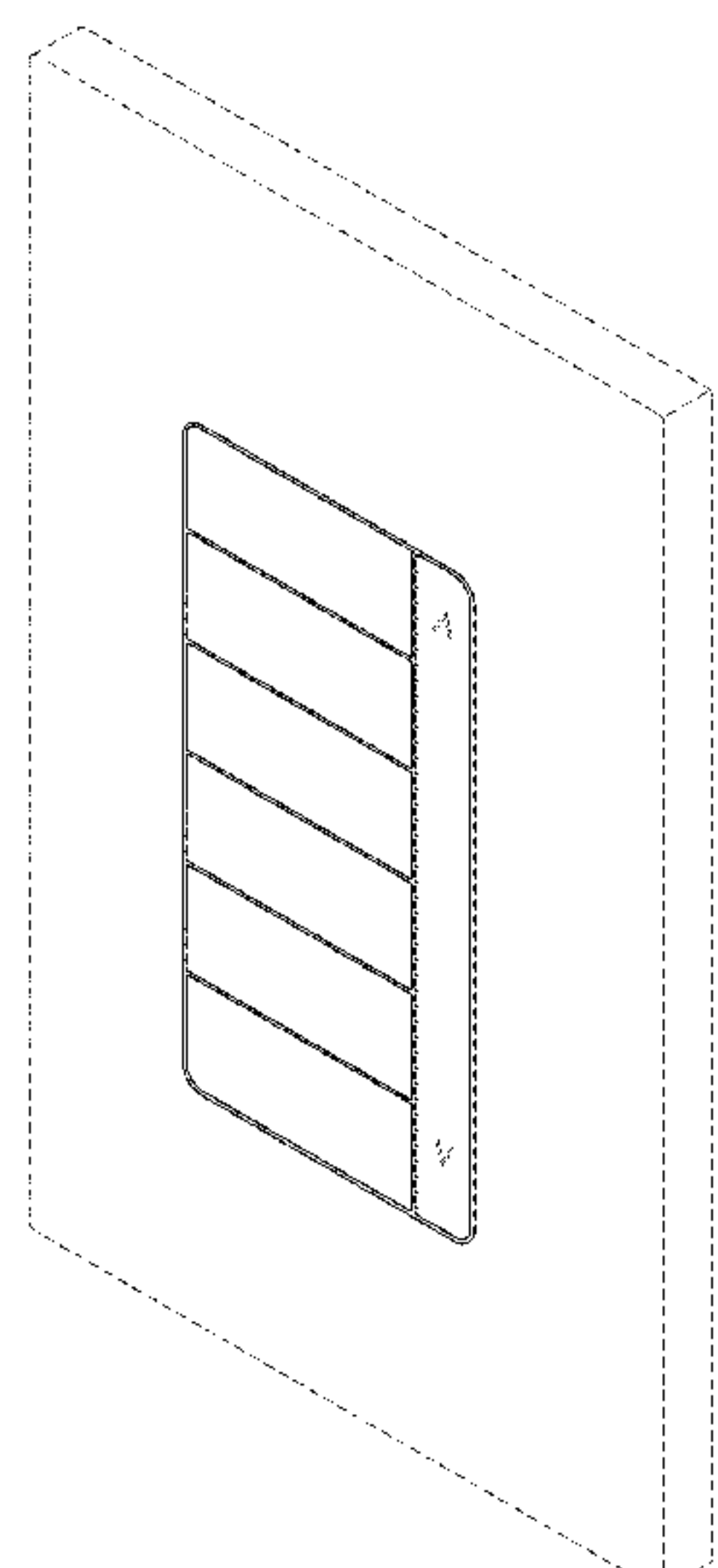
OTHER PUBLICATIONS
WS-TS-C Wall Station Color Touchscreen; Jan. 1, 2022; 2 pgs.; <https://www.touchecontrols.com/products/touchscreen-color-wall-station-4/>.
(Continued)

Primary Examiner — Selina Sikder
(74) *Attorney, Agent, or Firm* — Crestron Electronics, Inc.

(57) **CLAIM**
The ornamental design for a wall mounted button panel, as shown and described.

DESCRIPTION
FIG. 1 shows a front perspective view of a wall mounted button panel; and, FIG. 2 shows a front elevation view of the wall mounted button panel. The broken line portion of the figure drawings is included to show unclaimed subject matter only and forms no part of the claimed design.

1 Claim, 2 Drawing Sheets



(56)

References Cited

U.S. PATENT DOCUMENTS

10,586,667 B2 3/2020 Dimberg
10,645,777 B2 5/2020 Casey et al.
10,672,261 B2 6/2020 Dimberg et al.
D892,065 S 8/2020 Dimberg et al.
10,741,339 B2 8/2020 Dimberg et al.
10,827,581 B2 11/2020 Casey et al.
10,832,880 B2 11/2020 Dimberg
10,849,209 B2 11/2020 Shivell
10,943,749 B2* 3/2021 Wisniewski H01H 23/143
2007/0291010 A1* 12/2007 Altonen H05B 39/085
345/173
2016/0073467 A1* 3/2016 McDonald H05B 47/11
315/153
2018/0011561 A1* 1/2018 Kawaguchi G06F 1/1626
2018/0160502 A1* 6/2018 Casey H05B 45/20
2018/0191517 A1* 7/2018 Emigh G06F 3/03547
2019/0042000 A1* 2/2019 Kasmieh G06F 3/04886
2019/0235684 A1* 8/2019 Zhang G06F 3/03547
2020/0258377 A1 8/2020 Dimberg et al.
2020/0382120 A1 12/2020 Brogan et al.
2021/0194483 A1* 6/2021 Cannon H03K 17/945

OTHER PUBLICATIONS

Halo Home brochure; 2021; 5 pgs.;https://ideadigitalasset.com/DAMRoot/Original/11452/11143_QHRCXAIG4V9Z7EJ3.pdf.*

* cited by examiner

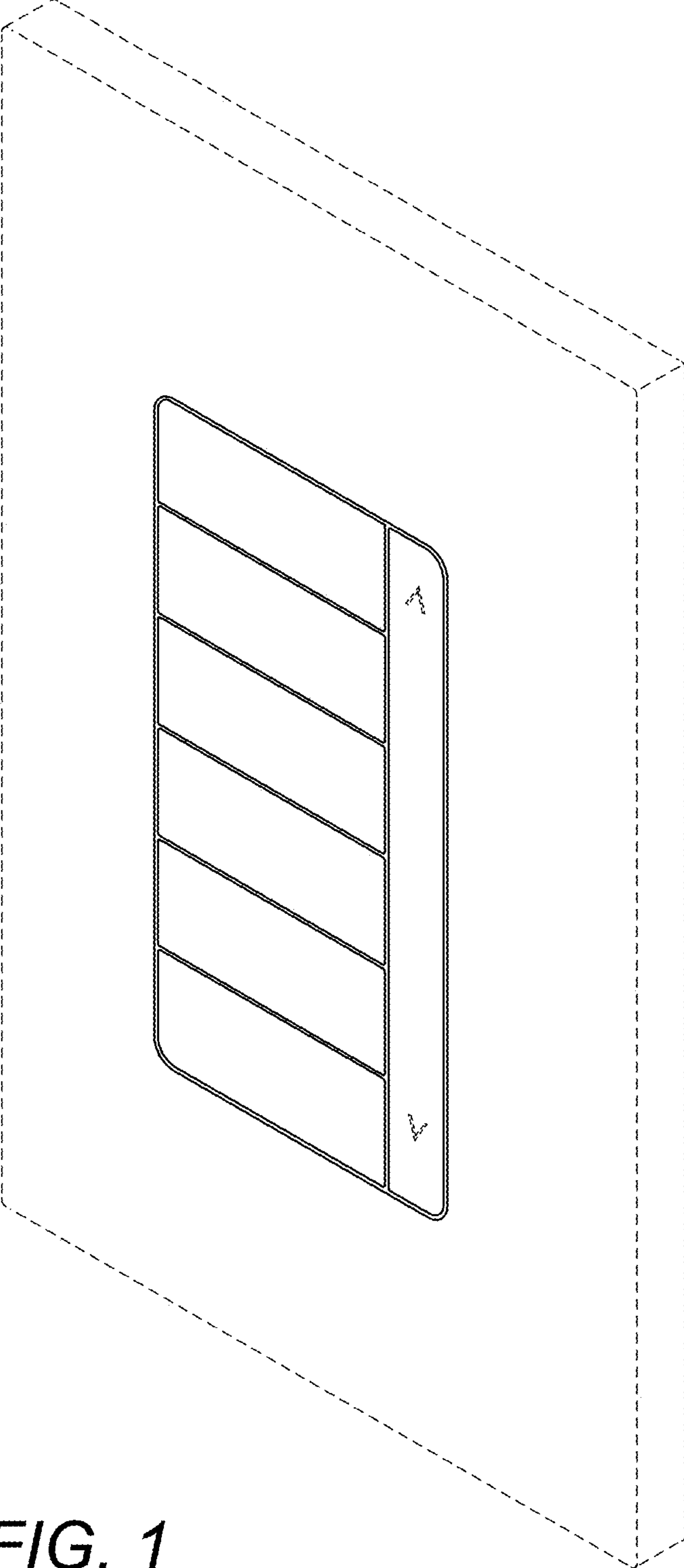


FIG. 1

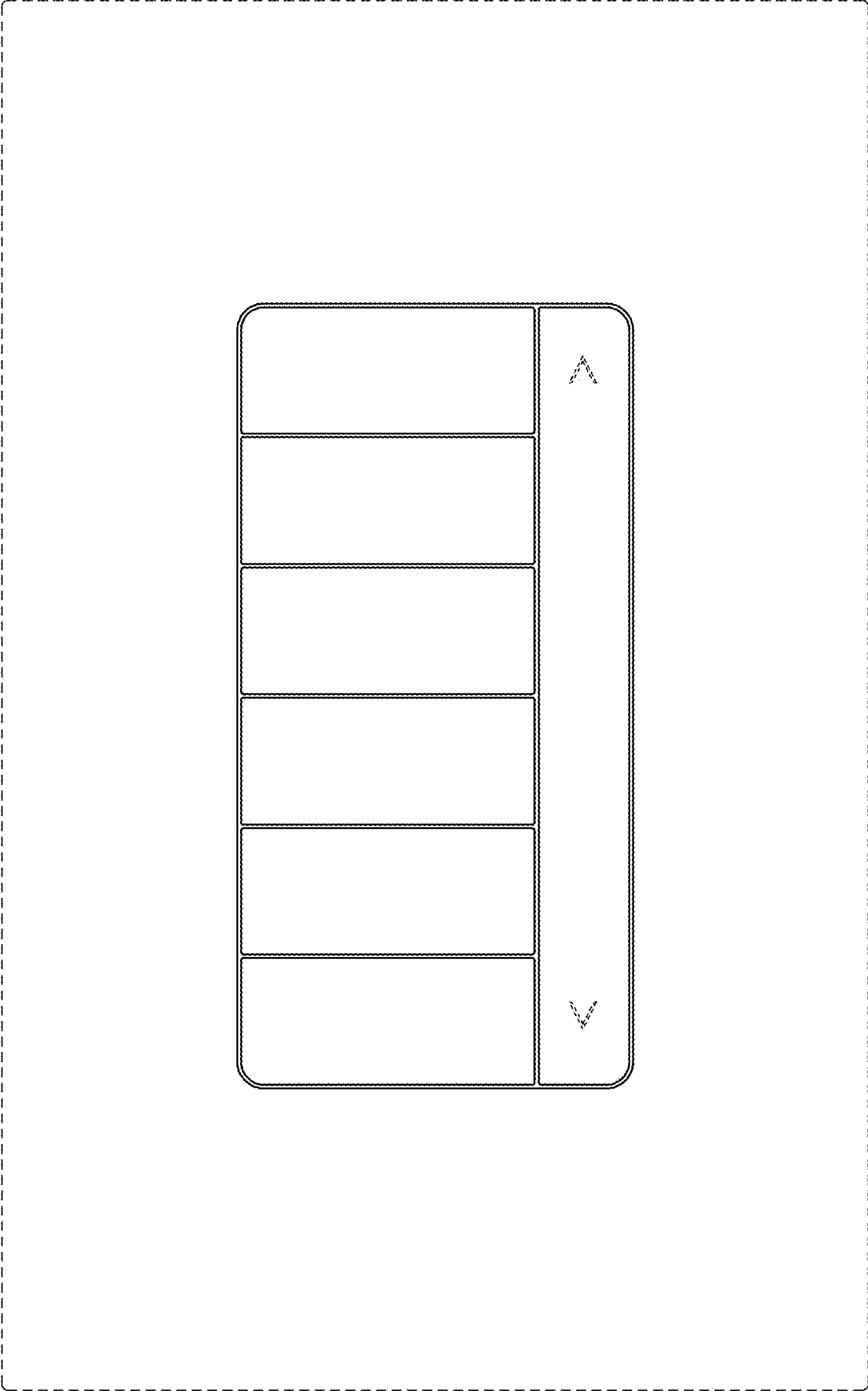


FIG. 2