



US00D953277S

(12) **United States Design Patent**
Oosaka

(10) **Patent No.:** **US D953,277 S**

(45) **Date of Patent:** **** *May 31, 2022**

(54) **CAP FOR CONNECTOR**

(71) Applicant: **Japan Aviation Electronics Industry, Limited**, Tokyo (JP)

(72) Inventor: **Junji Oosaka**, Tokyo (JP)

(73) Assignee: **JAPAN AVIATION ELECTRONICS INDUSTRY, LIMITED**, Tokyo (JP)

(*) Notice: This patent is subject to a terminal disclaimer.

(**) Term: **15 Years**

(21) Appl. No.: **29/745,305**

(22) Filed: **Aug. 5, 2020**

(30) **Foreign Application Priority Data**

Feb. 14, 2020 (JP) 2020-002871 D

(51) **LOC (13) Cl.** **13-03**

(52) **U.S. Cl.**
USPC **D13/156; D13/133; D13/177**

(58) **Field of Classification Search**
USPC D13/133, 154, 156, 158, 177, 184;
D14/436
CPC .. H05K 7/1053; H05K 7/1007; H01R 43/205;
H01R 13/5213; H01R 13/514; H01R
13/453; H01R 12/7076; H01R 12/7058
See application file for complete search history.

(56) **References Cited**

U.S. PATENT DOCUMENTS

D434,771 S * 12/2000 Ohtani D14/436
D439,455 S * 3/2001 Foster D13/184
6,533,592 B1 * 3/2003 Chen H05K 7/1007
439/135
6,875,022 B2 * 4/2005 Ma H01R 12/7058
439/41
7,534,114 B2 * 5/2009 Liao H01R 13/5213
439/135

7,575,449 B1 * 8/2009 Cai H05K 7/1053
439/135
10,236,617 B2 * 3/2019 Hsu H01R 13/514
D931,229 S * 9/2021 Saeki D13/154
11,152,742 B2 * 10/2021 Aoki H01R 13/5213
2005/0112922 A1 * 5/2005 Ma H01R 13/453
439/135

(Continued)

OTHER PUBLICATIONS

Octopart, Date: Jun. 2006, [online], [site visited Nov. 1, 2021]. Available from internet, URL: <https://datasheet.octopart.com/ST1W008S4ER1500-JAE-Electronics-datasheet-5405342.pdf> (Year: 2006).*

Primary Examiner — Shawn T Gingrich
Assistant Examiner — Bryan Nolan Melvin
(74) *Attorney, Agent, or Firm* — Manabu Kanesaka

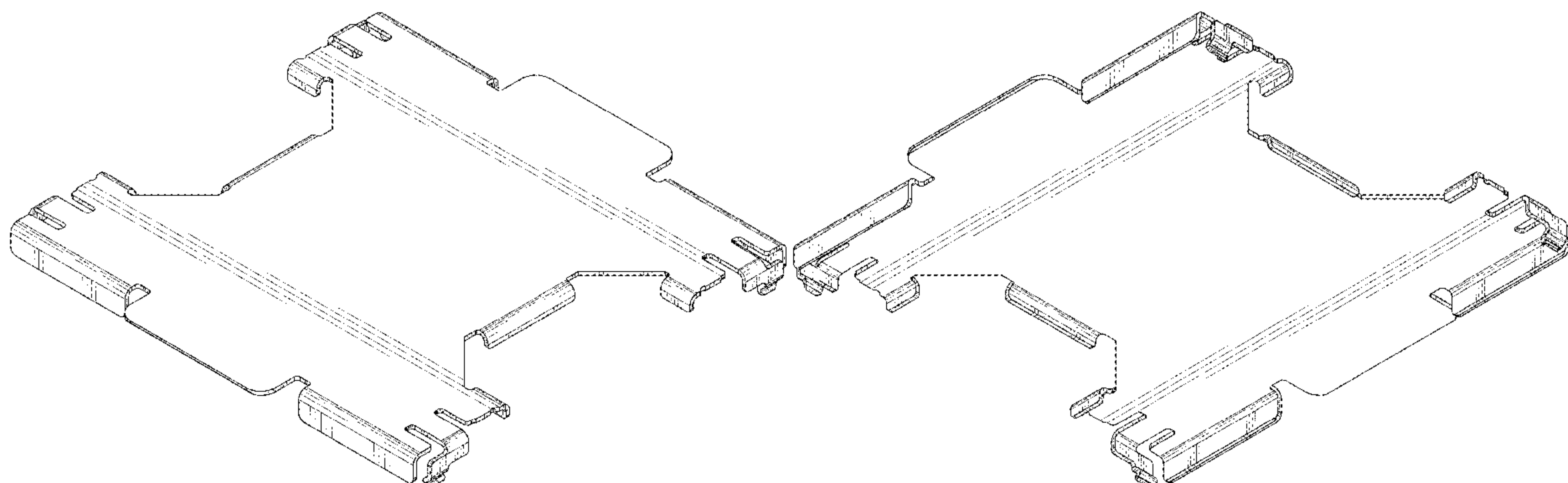
(57) **CLAIM**

The ornamental design for a cap for connector, as shown and described.

DESCRIPTION

FIG. 1 is a front elevational view of a cap for connector showing my new design;
FIG. 2 is a rear elevational view thereof;
FIG. 3 is a right side elevational view thereof;
FIG. 4 is a left side elevational view thereof;
FIG. 5 is a top plan view thereof;
FIG. 6 is a bottom plan view thereof;
FIG. 7 is a perspective view showing a front, top and right side thereof;
FIG. 8 is a perspective view showing a rear, bottom and left side thereof;
FIG. 9 is a perspective view showing a front, right and bottom side thereof; and,
FIG. 10 is a perspective view showing a rear, left and top side thereof.

1 Claim, 5 Drawing Sheets



(56)

References Cited

U.S. PATENT DOCUMENTS

2005/0130472 A1* 6/2005 Hou H01R 43/205
439/135
2007/0184690 A1* 8/2007 Ma H01R 12/7076
439/135
2008/0119082 A1* 5/2008 Cheng H01R 43/205
439/345

* cited by examiner



FIG. 1



FIG. 2

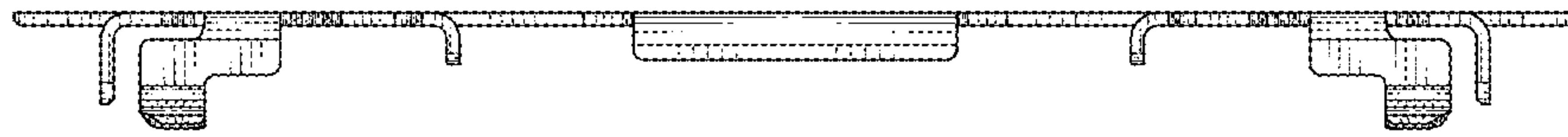


FIG. 3

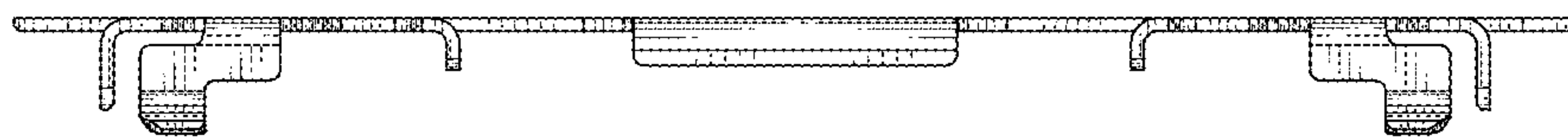


FIG. 4

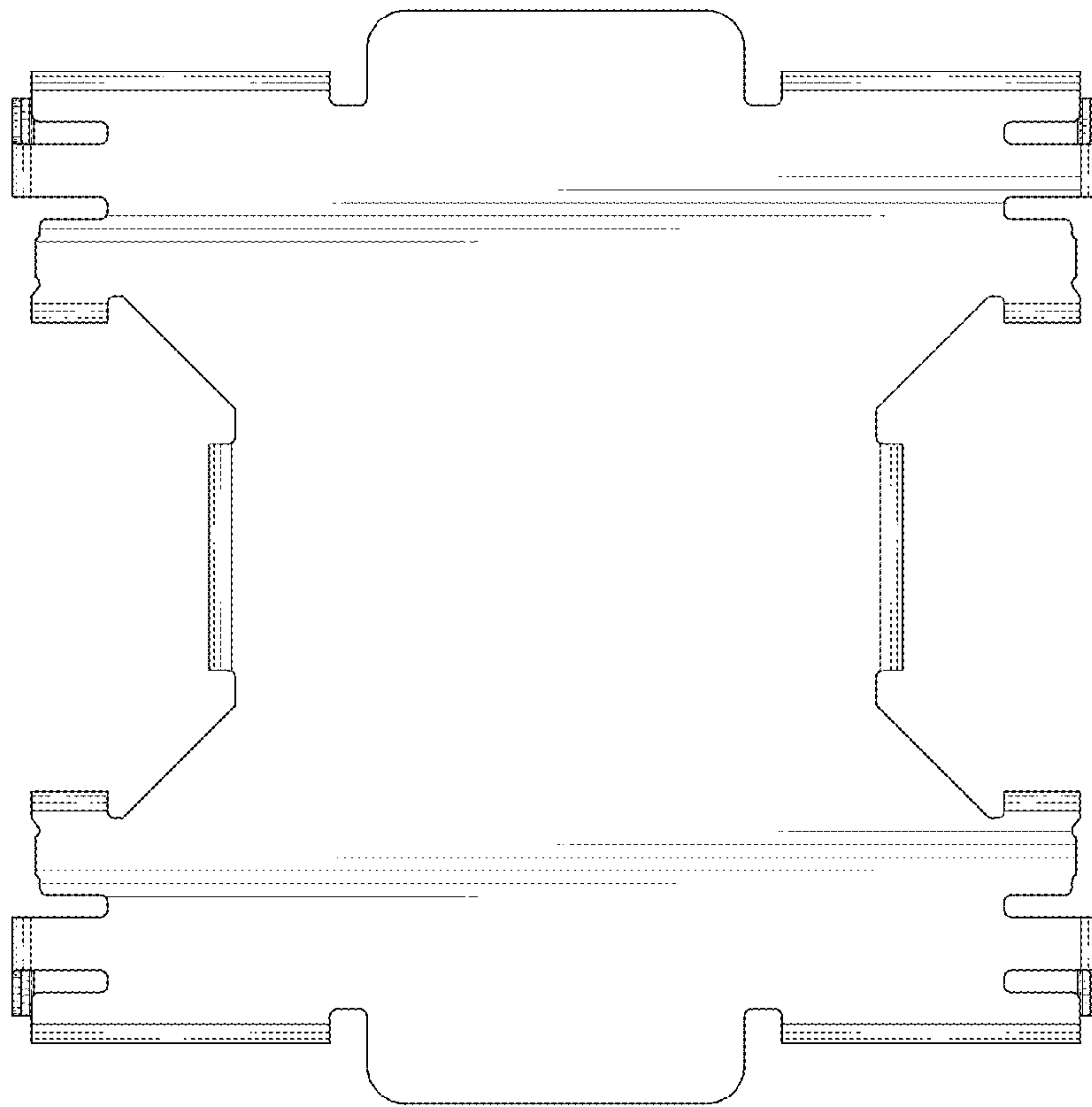


FIG. 5

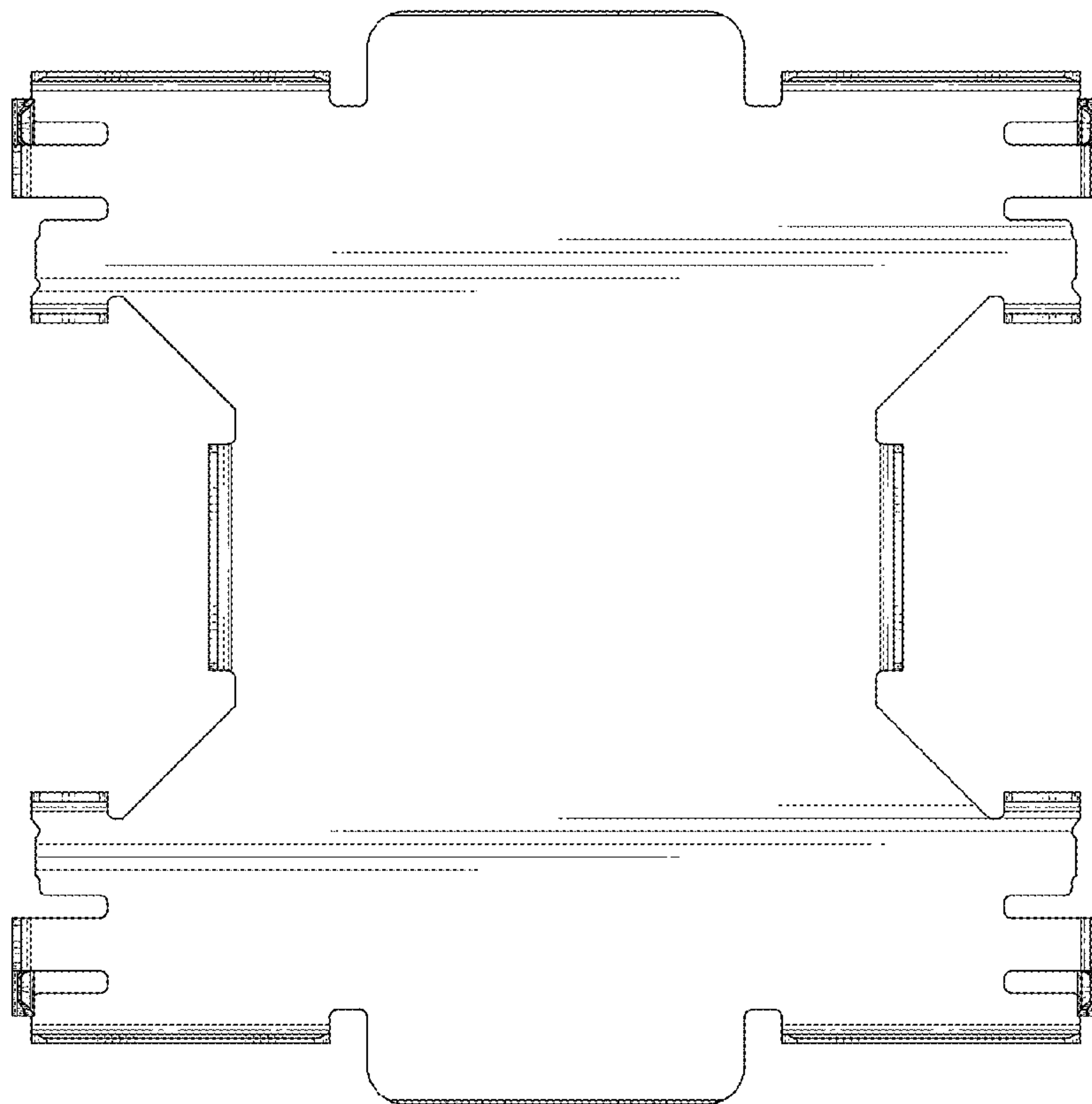


FIG. 6

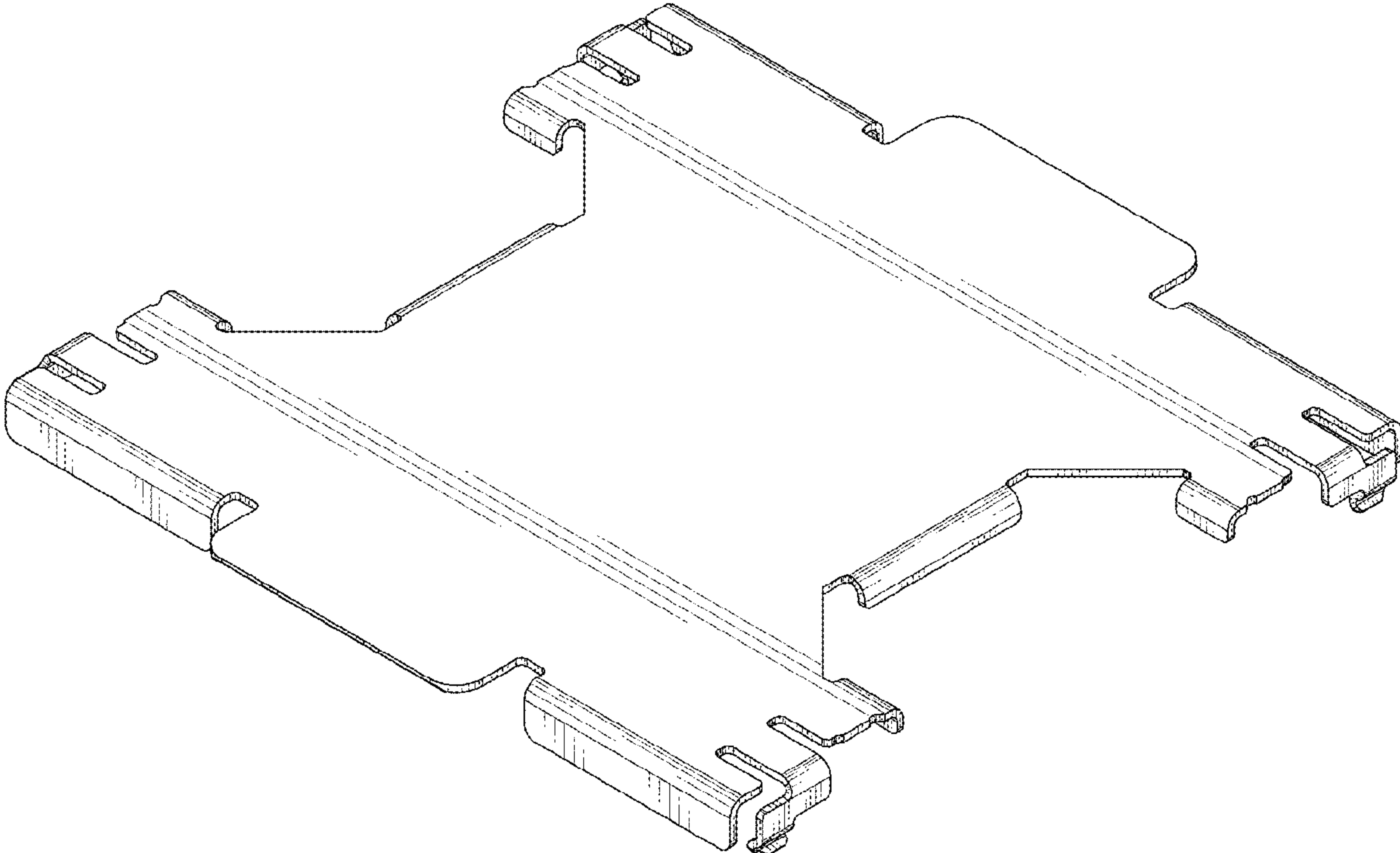


FIG. 7

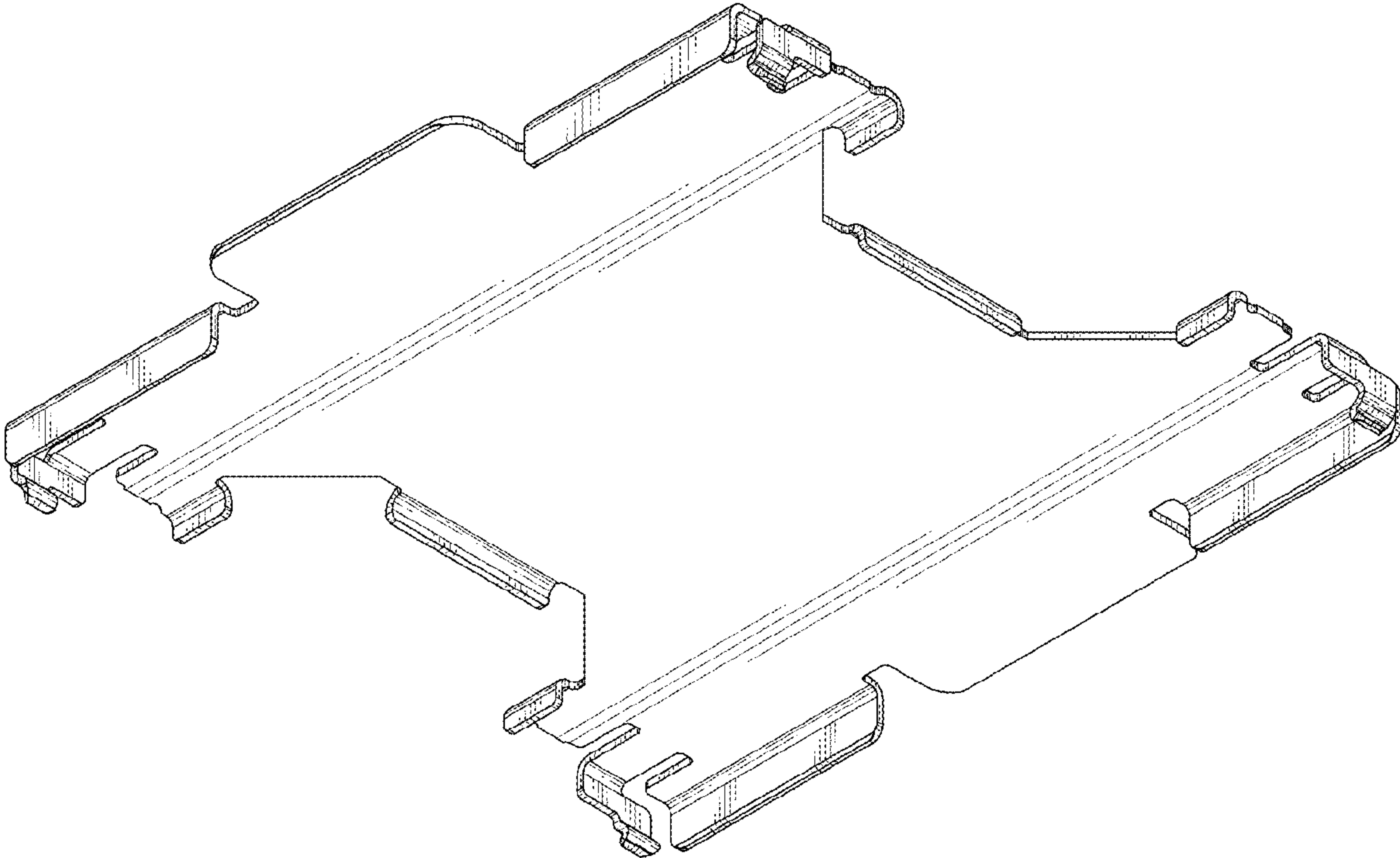


FIG. 8

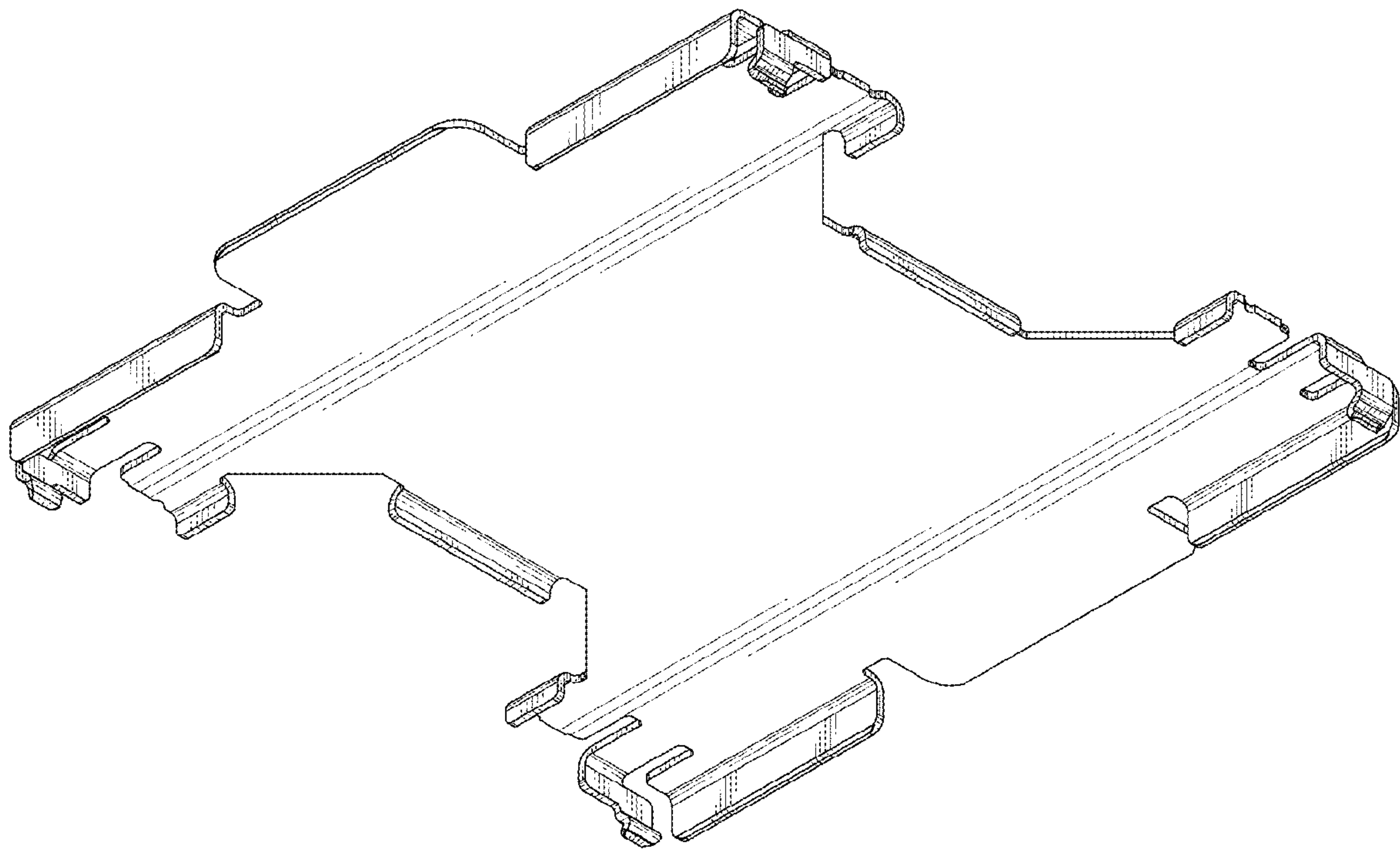


FIG. 9

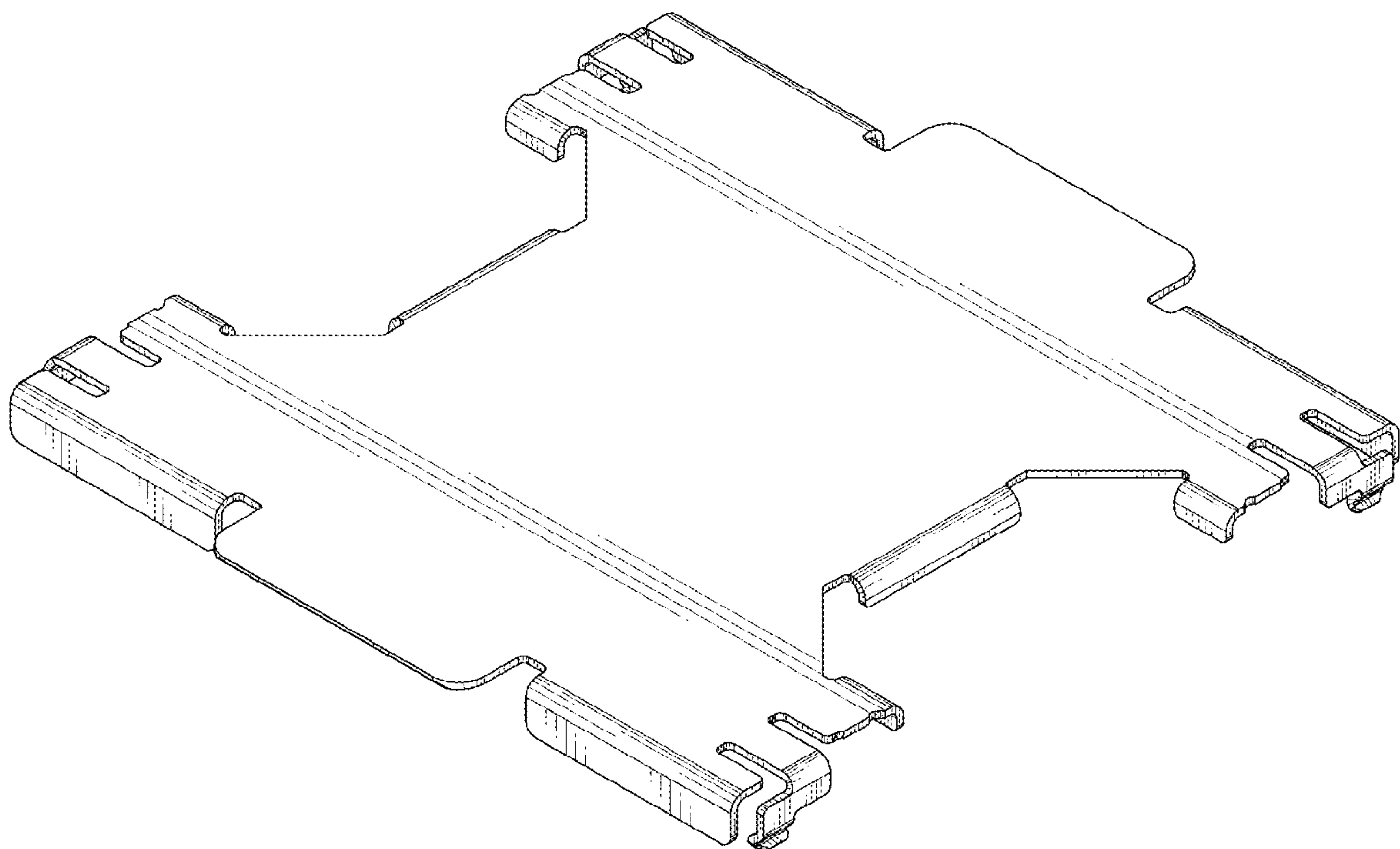


FIG. 10