



US00D953276S

(12) **United States Design Patent** (10) **Patent No.:** **US D953,276 S**
Chen (45) **Date of Patent:** **** May 31, 2022**

(54) **CABLE**

FOREIGN PATENT DOCUMENTS

(71) Applicant: **KORDZ GROUP LIMITED**, Hong Kong (HK)

CN 305265528 * 7/2019
JP D1598892 * 3/2018

(72) Inventor: **James Tze May Chen**, Hong Kong (HK)

OTHER PUBLICATIONS

(73) Assignee: **KORDZ GROUP LIMITED**, Hong Kong (HK)

“Bravo 8K Performance HDMI Cables”, first accessed May 6, 2021. Kordz.com [https://www.kordz.com/bravo] (Year: 2021).*

(Continued)

(**) Term: **15 Years**

Primary Examiner — Rosemary K Tarcza

(21) Appl. No.: **29/695,884**

Assistant Examiner — Seth David Kumpf

(22) Filed: **Jun. 24, 2019**

(74) *Attorney, Agent, or Firm* — Schmeiser, Olsen & Watts, LLP

(51) **LOC (13) Cl.** **13-03**

(52) **U.S. Cl.**
USPC **D13/153**; D13/147

(58) **Field of Classification Search**
USPC D13/153, 199, 133, 154, 146, 147, 107, D13/108, 110

CPC H01R 25/006; H01R 27/02; H01R 31/005; H01R 13/7036; H01R 13/5812; H01R 13/642; H01R 13/5816; H01R 13/659; H01R 13/66; H01R 13/703; H01R 13/72; G06F 13/4022; G06F 13/382; G06F 1/1632; G06F 1/1684; G06F 1/20; G06F 1/1607; H02G 3/14; H02G 11/02; F21S 4/001; F21V 27/00; F21V 33/00

See application file for complete search history.

(57) **CLAIM**

The ornamental design for a cable, as shown and described.

DESCRIPTION

FIG. 1 is a perspective view of a cable showing my new design;
FIG. 2 is a front elevation view thereof;
FIG. 3 is a rear elevation view thereof;
FIG. 4 is a left side elevation view thereof;
FIG. 5 is an enlarged view of a portion of FIG. 4;
FIG. 6 is a right side elevation view thereof;
FIG. 7 is an enlarged view of a portion of FIG. 6;
FIG. 8 is a top plan view thereof;
FIG. 9 is a bottom plan view thereof;
FIG. 10 is an enlarged view of a first end of FIG. 9; and,
FIG. 11 is an enlarged view of a second end of FIG. 9.
The cable is shown with a symbolic break in its length. The appearance of any portion of the article between the break lines forms no part of the claimed design. The broken lines shown in the drawings are for the purpose of illustrating boundaries of the enlarged views of FIGS. 5, 7, and 10-11, and form no part of the claimed design.

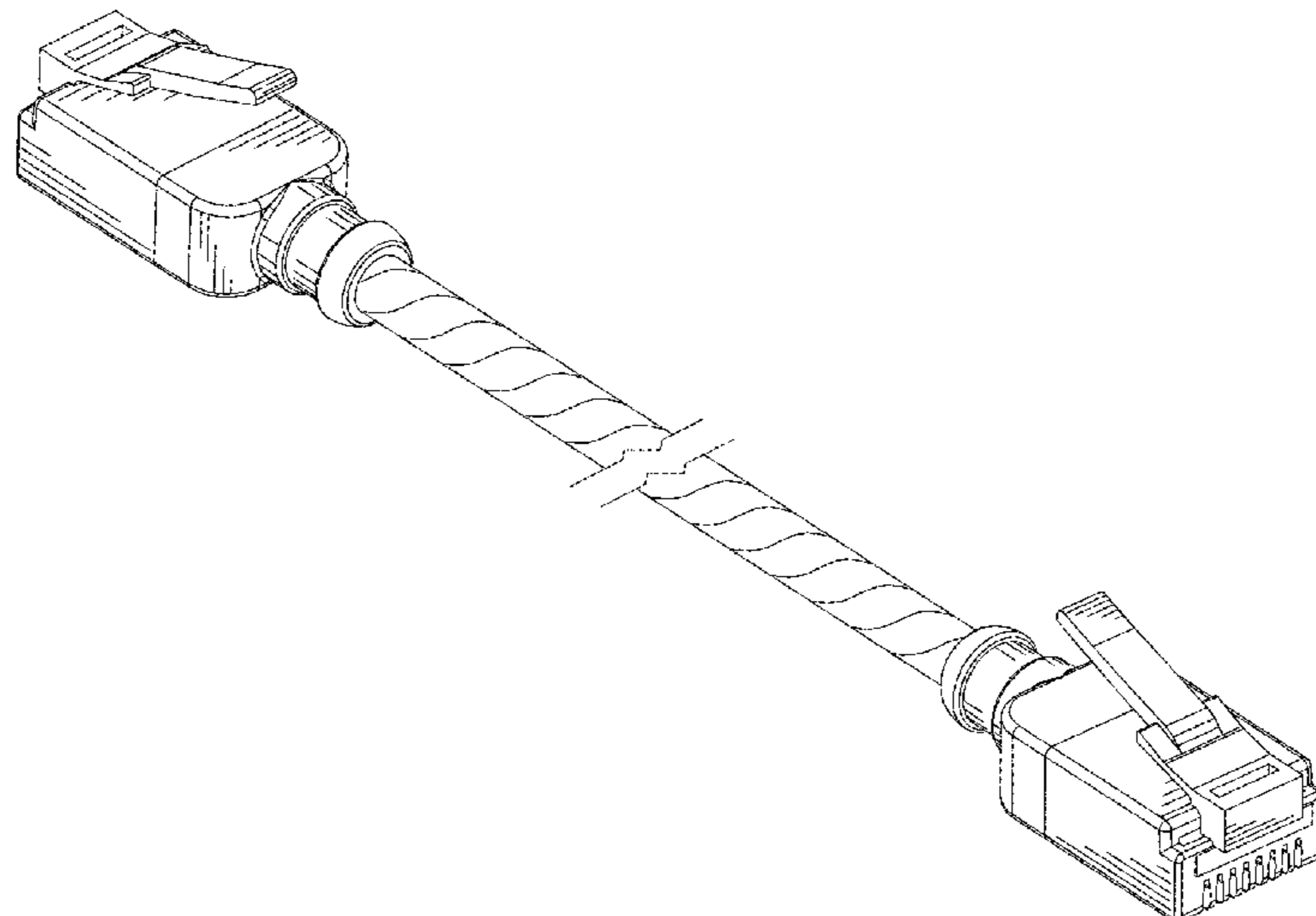
(56) **References Cited**

U.S. PATENT DOCUMENTS

6,017,237 A * 1/2000 Sullivan H01R 43/01 439/392
6,409,544 B1 * 6/2002 Wu H01R 13/6463 439/418
D600,644 S * 9/2009 Leung D13/147
D631,444 S * 1/2011 Garay D13/153
D680,077 S * 4/2013 Richards D13/147
D800,731 S * 10/2017 He D14/433

(Continued)

1 Claim, 5 Drawing Sheets



(56)

References Cited

U.S. PATENT DOCUMENTS

D824,388 S *	7/2018	Fawcett	D14/433
D829,178 S *	9/2018	Sutter	D13/147
D829,666 S *	10/2018	Sutter	D13/147
D829,667 S *	10/2018	Sutter	D13/147
D832,263 S *	10/2018	Chen	H01R 13/5829 D14/433
D832,791 S *	11/2018	Xie	D13/147
D843,375 S *	3/2019	Claudepierre	D14/433
D843,951 S *	3/2019	Lim	D13/154
D850,449 S *	6/2019	Nauroy	D14/433
D851,047 S *	6/2019	Zhang	D13/153
D854,017 S *	7/2019	Claudepierre	D14/433
2014/0295695 A1 *	10/2014	Mueller	H01R 13/5829 439/459
2014/0315420 A1 *	10/2014	Sticker	H01R 13/506 439/374

OTHER PUBLICATIONS

“Dynex—100' Cat-6 Ethernet Cable—Dark Blue”, first accessed May 6, 2021. BestBuy.com [<https://www.bestbuy.com/site/dynex-100-cat-6-ethernet-cable-dark-blue/6356670.p?skuId=6356670>] (Year: 2021).*

“Ethernet Cable, BENFEI Cat6 Gigabit Ethernet Cable, LAN RJ45 Cable 1000Mbps Compatible for PS4, Xbox One, Smart TV, Switch, Router, Patch Panel (6.6FT)”, first available Sep. 20, 2020. Amazon.com [https://www.amazon.com/Ethernet-BENFEI-Gigabit-1000Mbps-Compatible/dp/B08JKNY2V5/ref=sr_1_17_sspa?dchild=1&keywords=Cat6%2Bcable&qid%E2%80%A6=undefined&th=1] (Year: 2020).*

“One Seires HDMI Cable”, first accessed May 6, 2021. Kordz.com [<https://www.kordz.com/one-hdmi-cable>] (Year: 2021).*

“Pro CAT6 Slim Profile Network Patch Cord”, first published Sep. 2, 2019. Kordz. [https://www.youtube.com/watch?v=Fmy_QAnKJgl] (Year: 2019).*

* cited by examiner

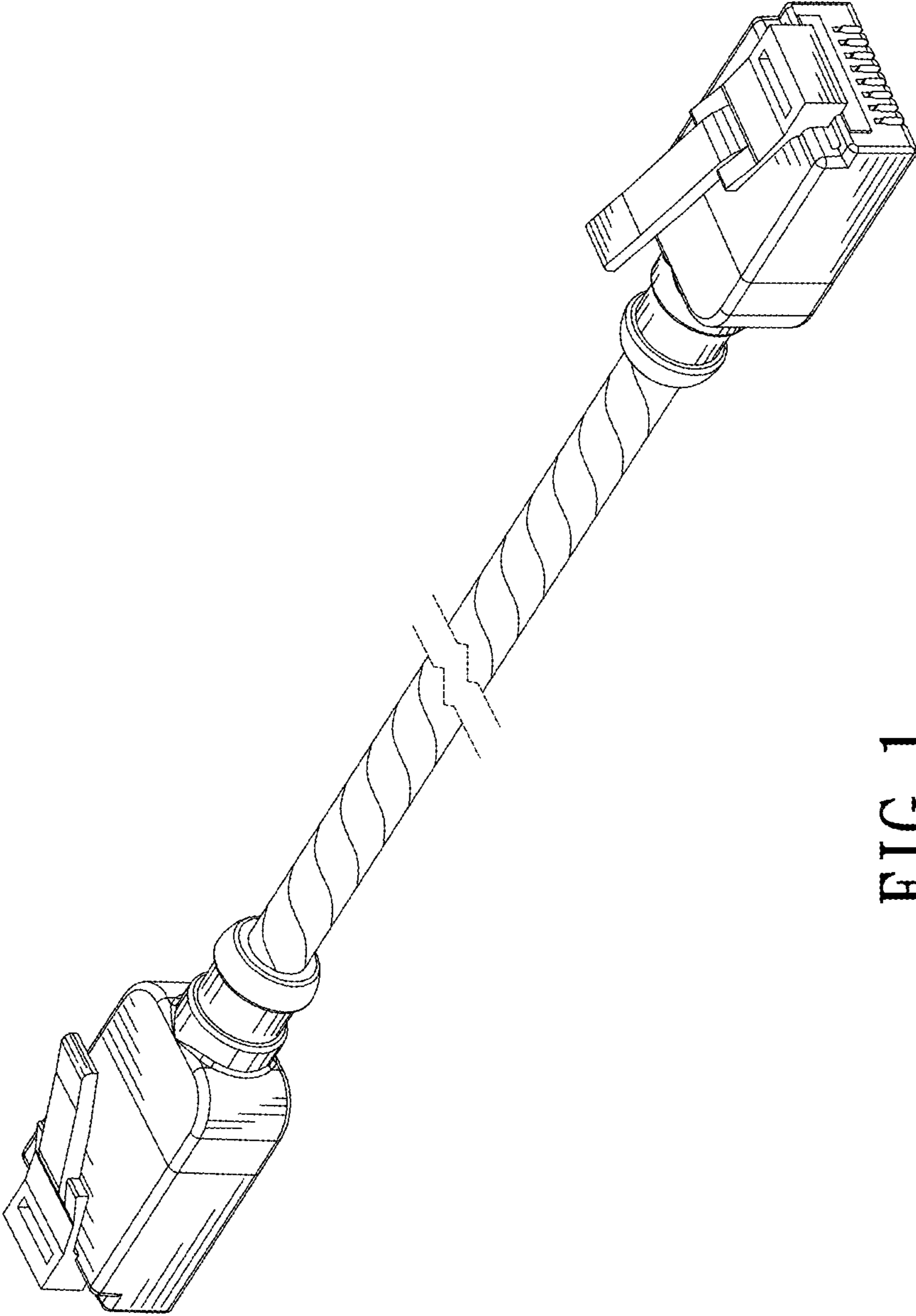


FIG. 1

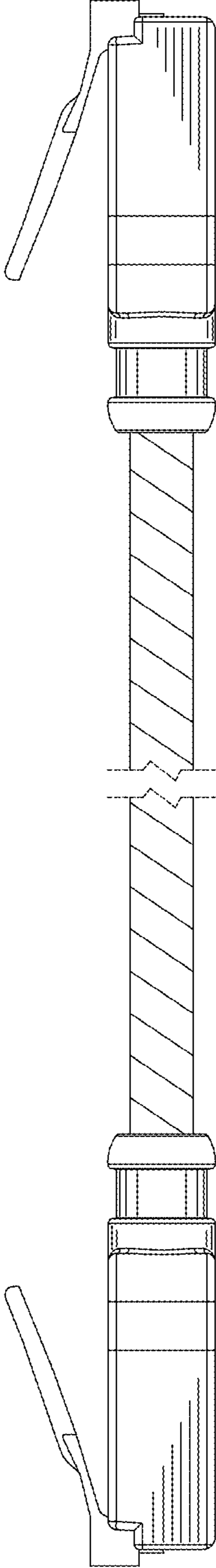


FIG. 2

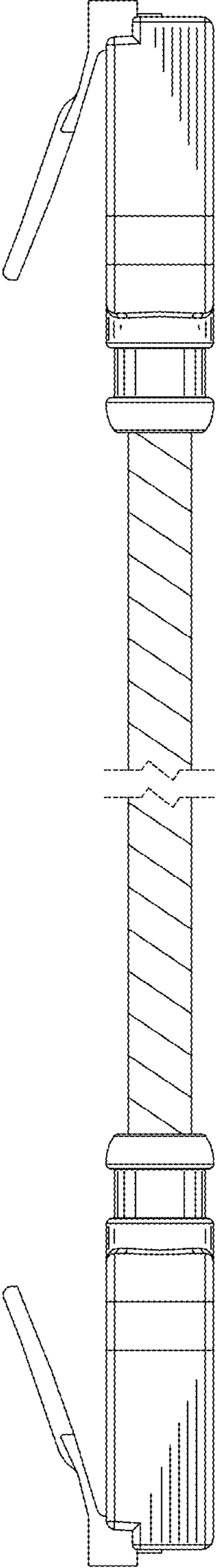


FIG. 3

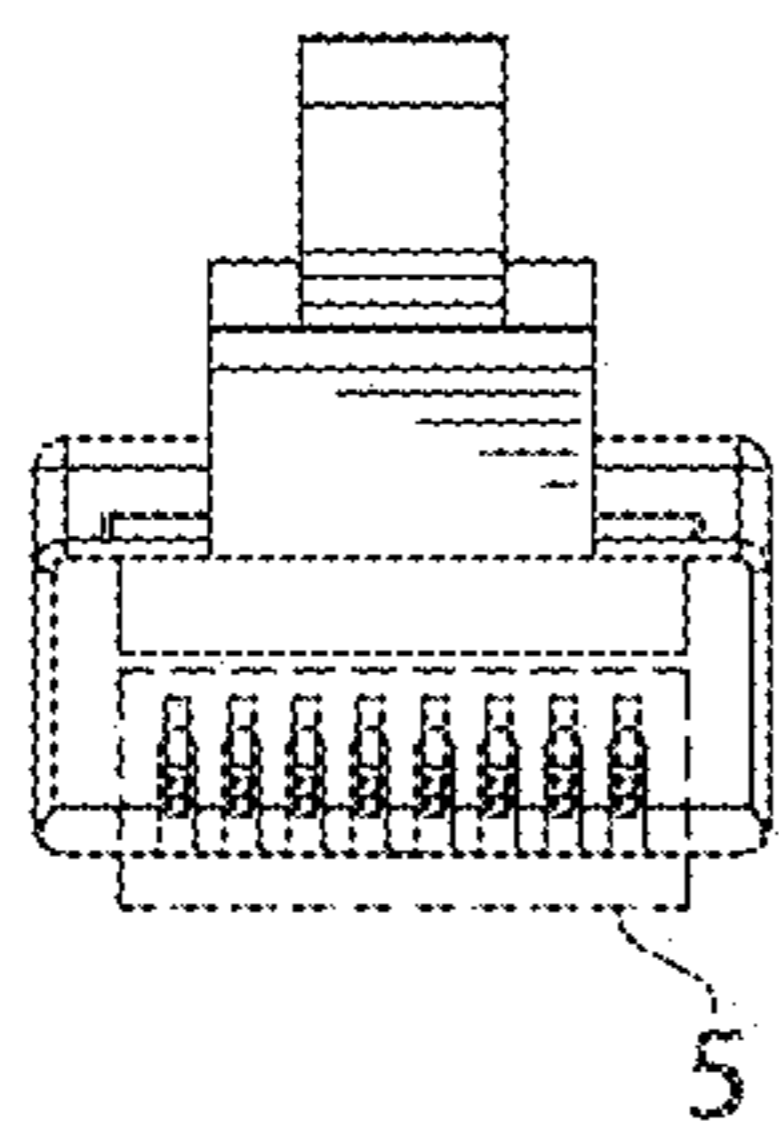


FIG. 4

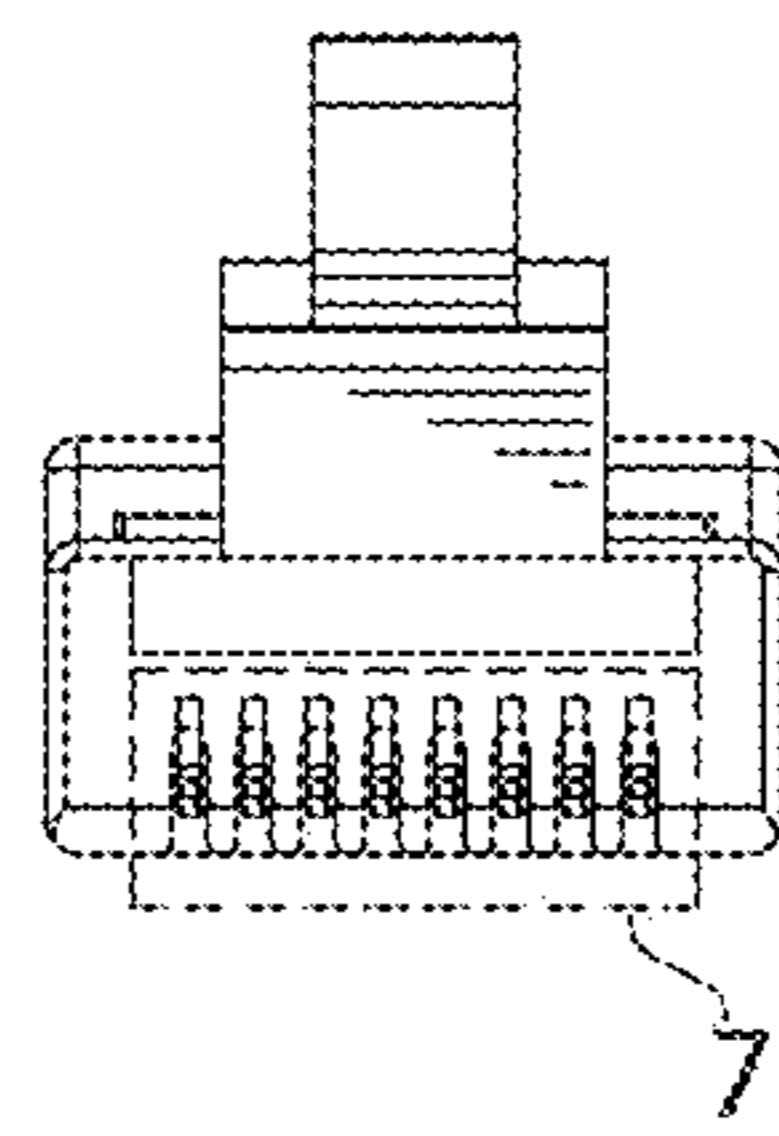


FIG. 6

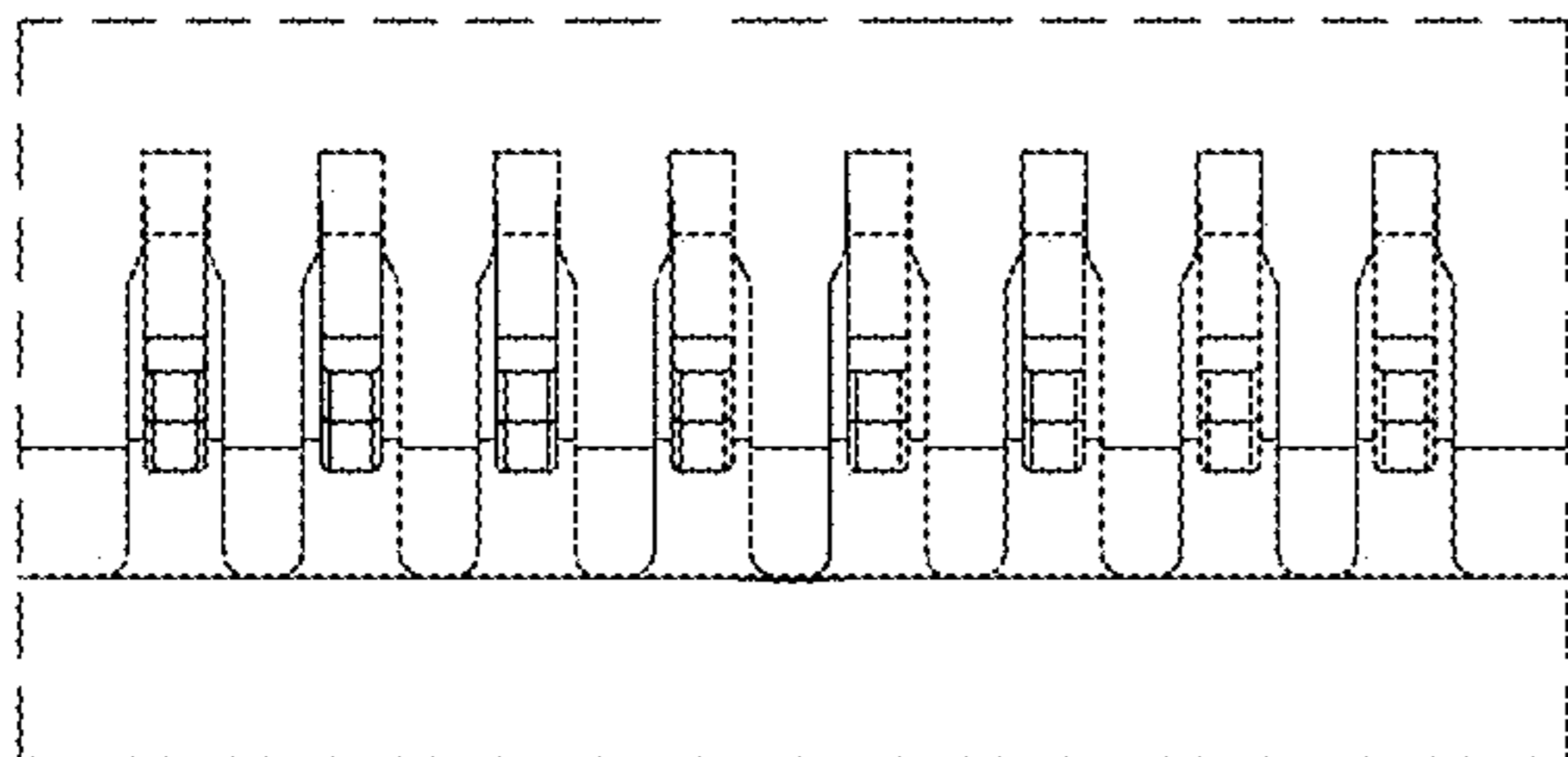


FIG. 5

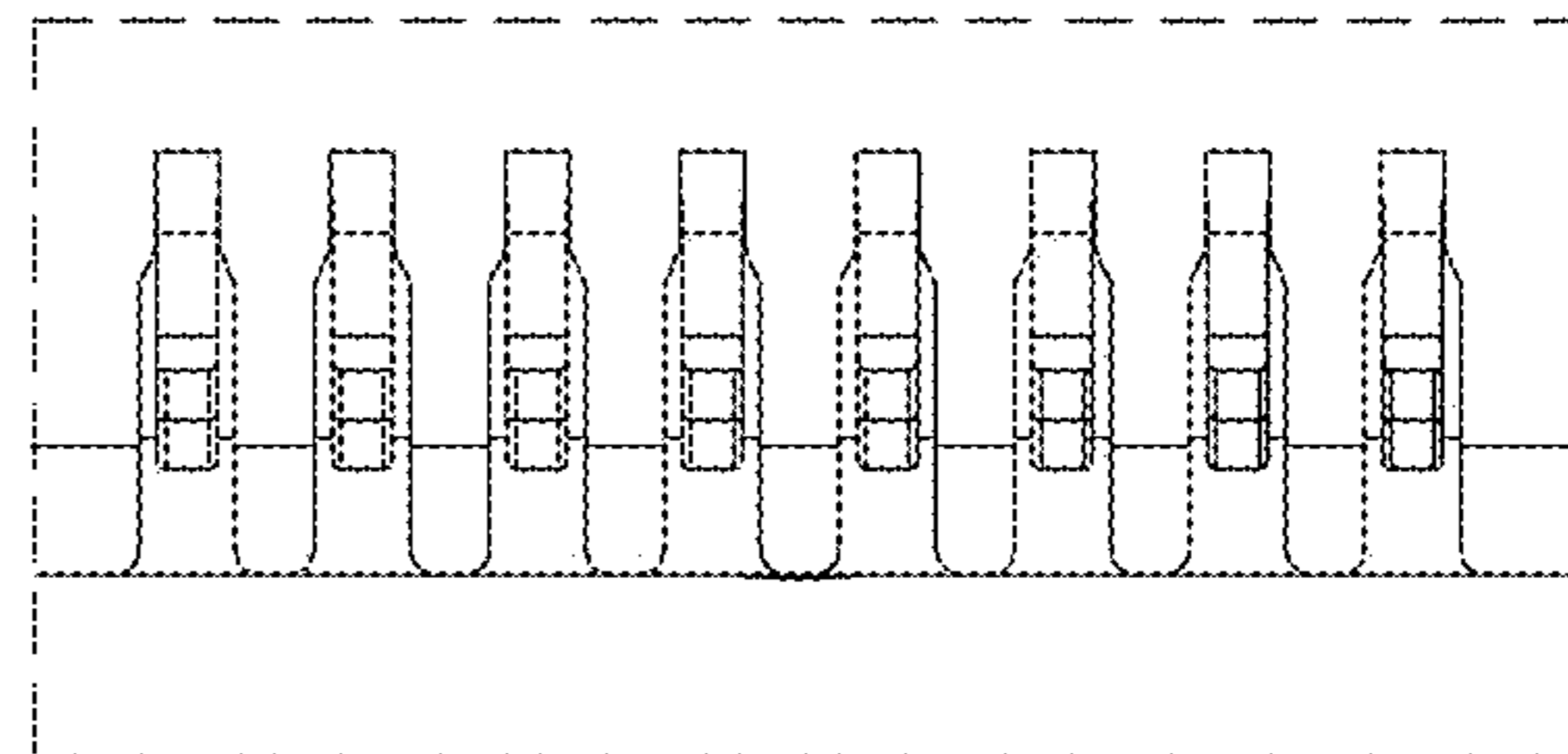


FIG. 7

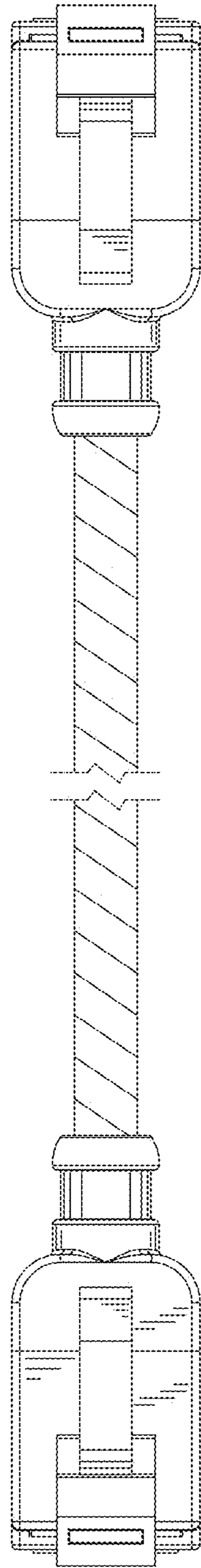


FIG. 8

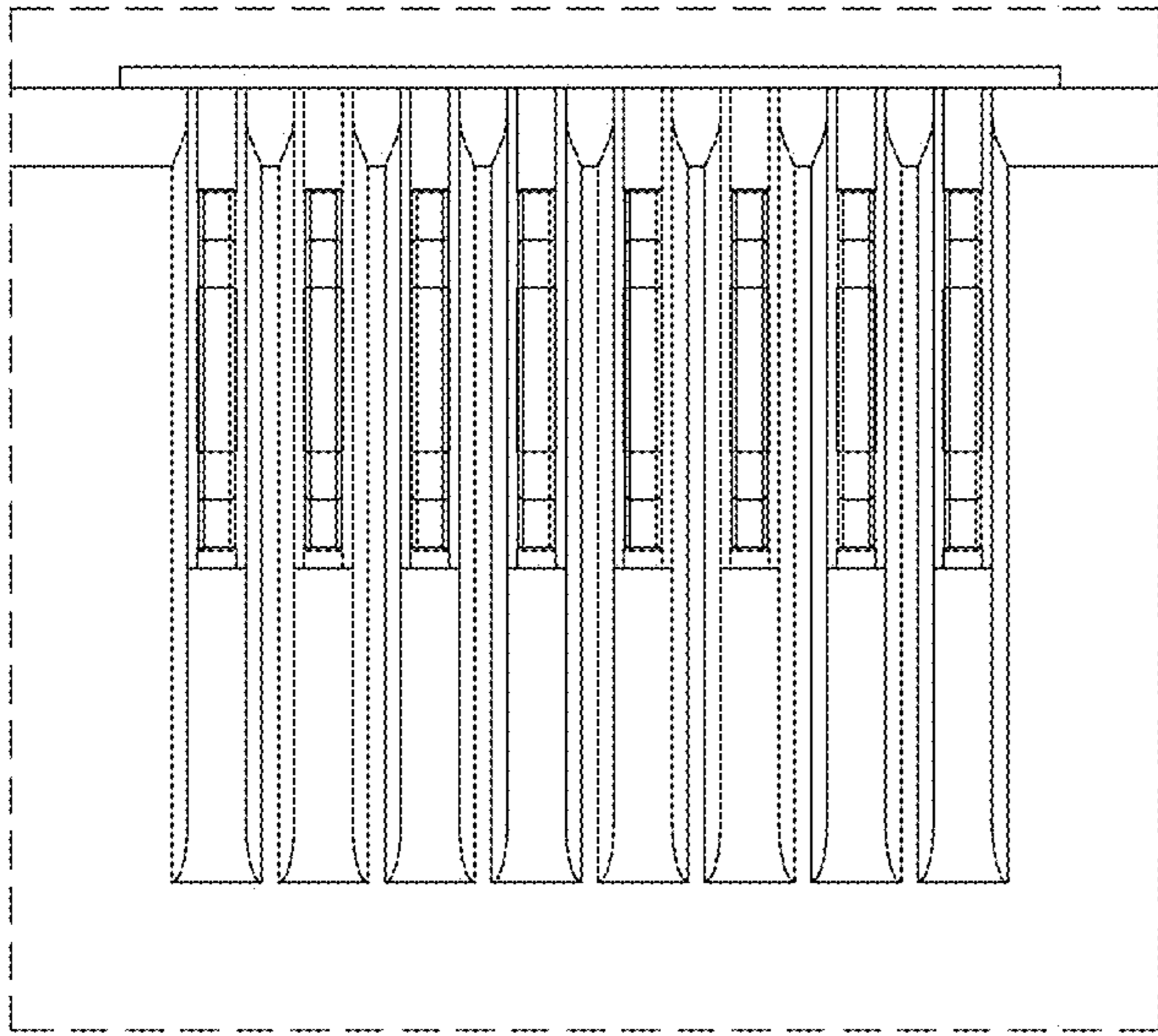


FIG. 10

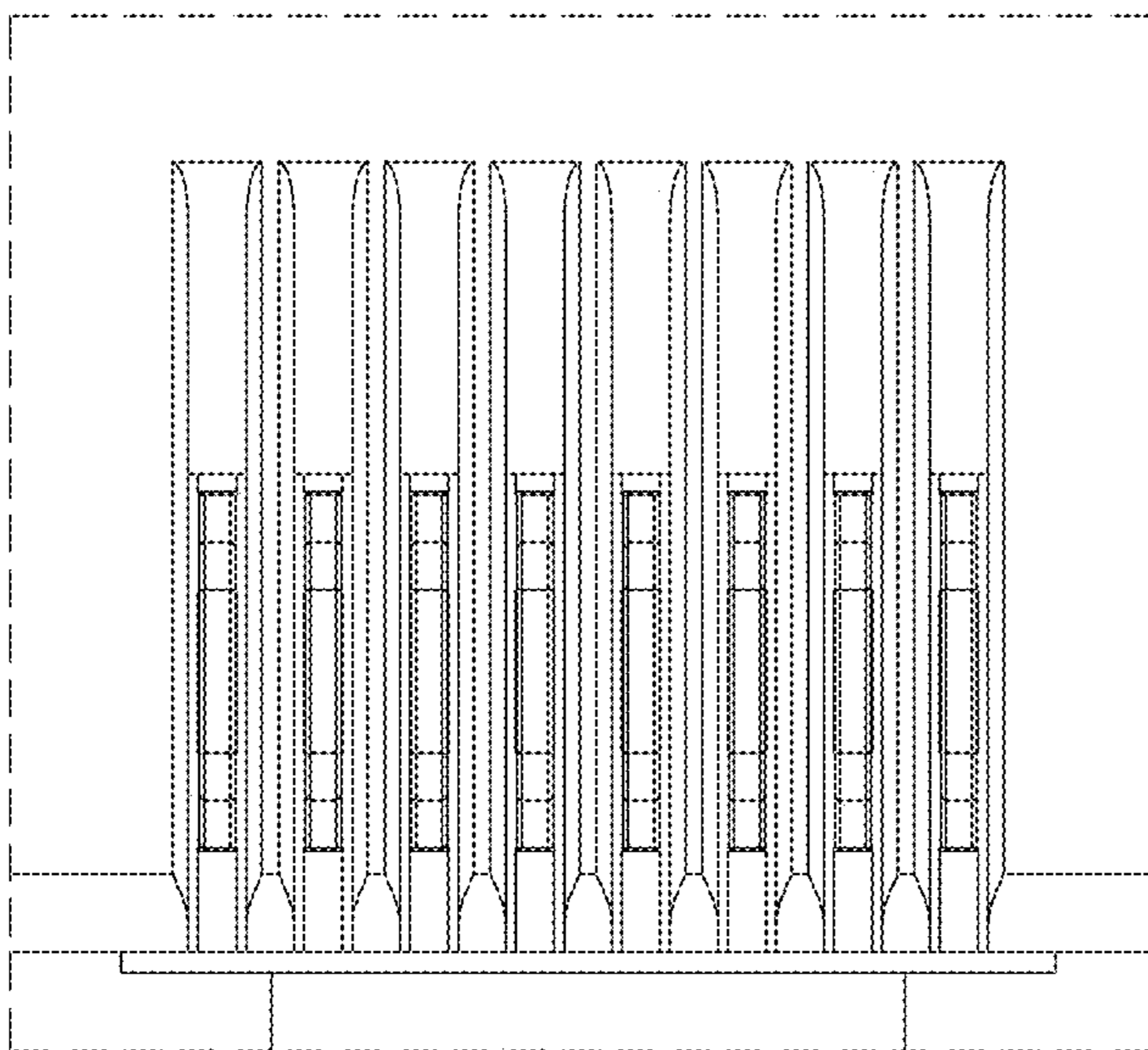


FIG. 11

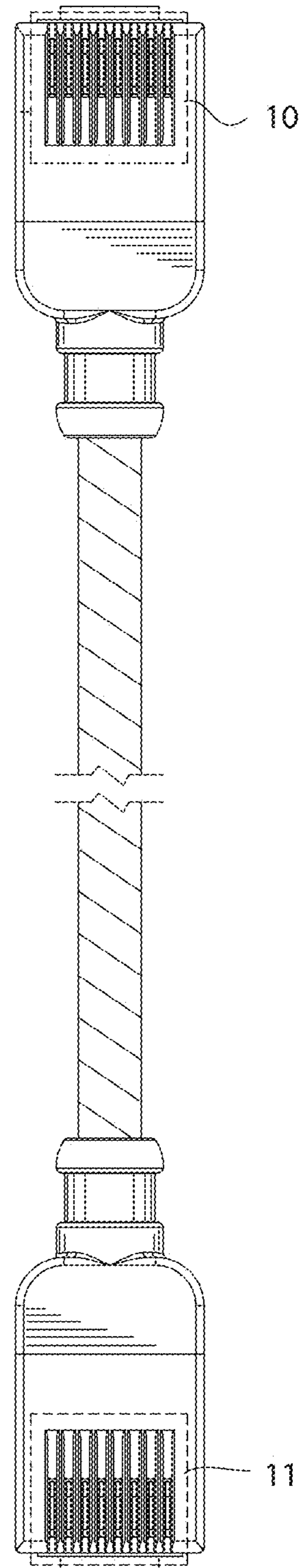


FIG. 9