



US00D953273S

(12) **United States Design Patent**
Chen

(10) **Patent No.:** **US D953,273 S**

(45) **Date of Patent:** **** May 31, 2022**

(54) **SOCKET**

(71) Applicant: **Rongjie Chen**, Hunan (CN)

(72) Inventor: **Rongjie Chen**, Hunan (CN)

(**) Term: **15 Years**

(21) Appl. No.: **29/732,784**

(22) Filed: **Apr. 28, 2020**

(51) **LOC (13) Cl.** **13-03**

(52) **U.S. Cl.**
USPC **D13/139.8**

(58) **Field of Classification Search**
USPC D13/137.1, 137.2, 137.3, 137.4, 138.1,
D13/138.2, 139.1, 139.2, 139.7, 139.8,
D13/184, 103, 107, 199, 108, 110, 119,
D13/123, 133, 139.3, 139.5, 139.6, 152,
D13/145, 153, 154, 156, 158, 160, 162,
D13/177; D14/433, 434
CPC H01R 13/00; H01R 13/04; H01R 13/10;
H01R 13/665; H01R 13/6666; H01R
13/6676; H01R 13/7135; H01R 25/00;
H01R 25/006; H01R 9/00; H01R 11/00;
H02H 3/33; H02H 3/162; H01H 2207/00;
H01H 2207/022; H01H 2203/00; H05K
5/00; H05K 5/03

See application file for complete search history.

(56) **References Cited**

U.S. PATENT DOCUMENTS

D443,589 S * 6/2001 Tong D13/137.2
D773,991 S * 12/2016 Liu D13/107
D871,344 S * 12/2019 Lyu D13/139.8
D878,299 S * 3/2020 Lyu D13/139.8
D878,300 S * 3/2020 Lyu D13/139.8
D881,821 S * 4/2020 Lyu D13/139.8
D883,934 S * 5/2020 Yu D13/139.8

D885,345 S * 5/2020 Chen D13/139.8
D899,364 S * 10/2020 Zhang D13/110
D900,749 S * 11/2020 Bao D13/137.2
D903,600 S * 12/2020 Tseng D13/137.2

FOREIGN PATENT DOCUMENTS

GB 6090783 * 5/2020
GB 6097887 * 8/2020
GB 6115167 * 1/2021

OTHER PUBLICATIONS

“Power Strip with 3 USB Ports, TESSAN 5 ft Extension Cord Flat Plug with 4 Outlets, Overload Protection Indoor Desk Charging Station, Mountable Compact for Travel, Cruise Ship, and Dorm Essentials”, first available Oct. 30, 2019. Amazon.com [https://www.amazon.com/TESSAN-Mountable-Extension-Outlets-Lightweight/dp/B07ZRDGF6Y](Year: 2019).*

(Continued)

Primary Examiner — Rosemary K Tarcza

Assistant Examiner — Seth David Kumpf

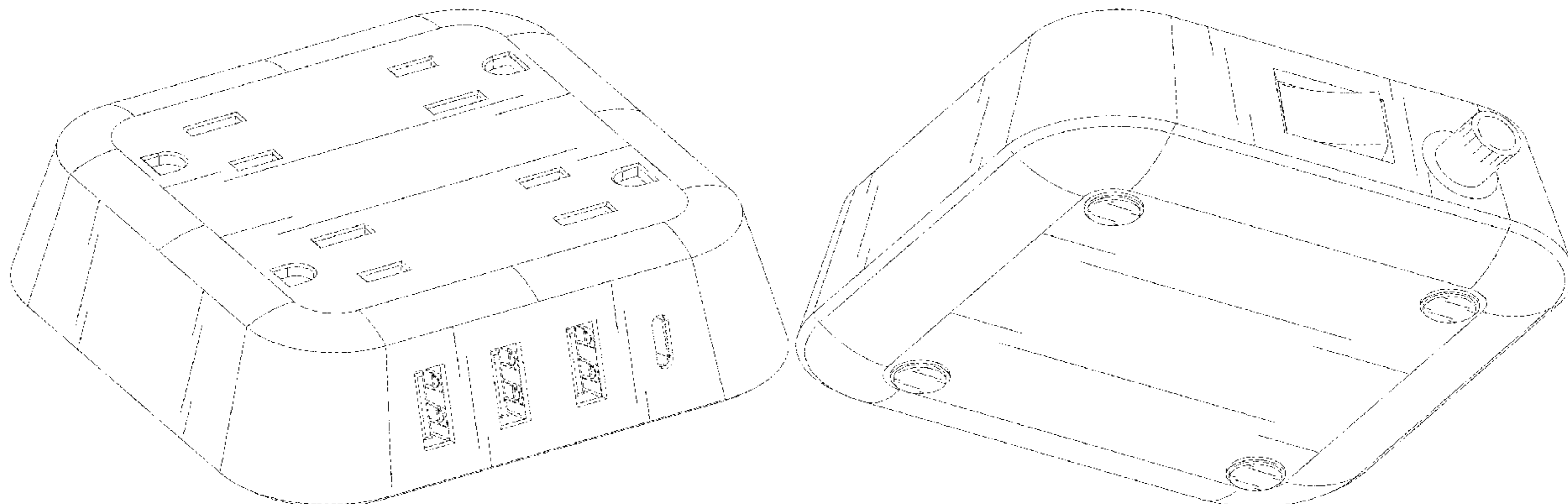
(57) **CLAIM**

The ornamental design for a socket, as shown and described.

DESCRIPTION

FIG. 1 is a front elevational view of a socket showing my new design;
FIG. 2 is a rear elevational view thereof;
FIG. 3 is a left side view thereof;
FIG. 4 is a right side view thereof;
FIG. 5 is a top plan view thereof;
FIG. 6 is a bottom plan view thereof;
FIG. 7 is a perspective view thereof; and,
FIG. 8 is another perspective view thereof.
The broken lines shown in the drawings illustrate portions of the socket that form no part of the claimed design.

1 Claim, 8 Drawing Sheets



(56)

References Cited

OTHER PUBLICATIONS

“2 Pack Lightning Protector Power Belt-4 Large Sockets, 4 USB Charging Ports, 2 Side Outlets to Extend 5 Feet Braided Extension Cord, Flat Plug, Wall Mount, Desk USB Charging Station”, first available Sep. 2, 2021. Amazon.com [<https://www.amazon.com/Lightning-Protector-Sockets-Charging-Extension/dp/B09F9WVFBHG>](Year: 2021).*

* cited by examiner

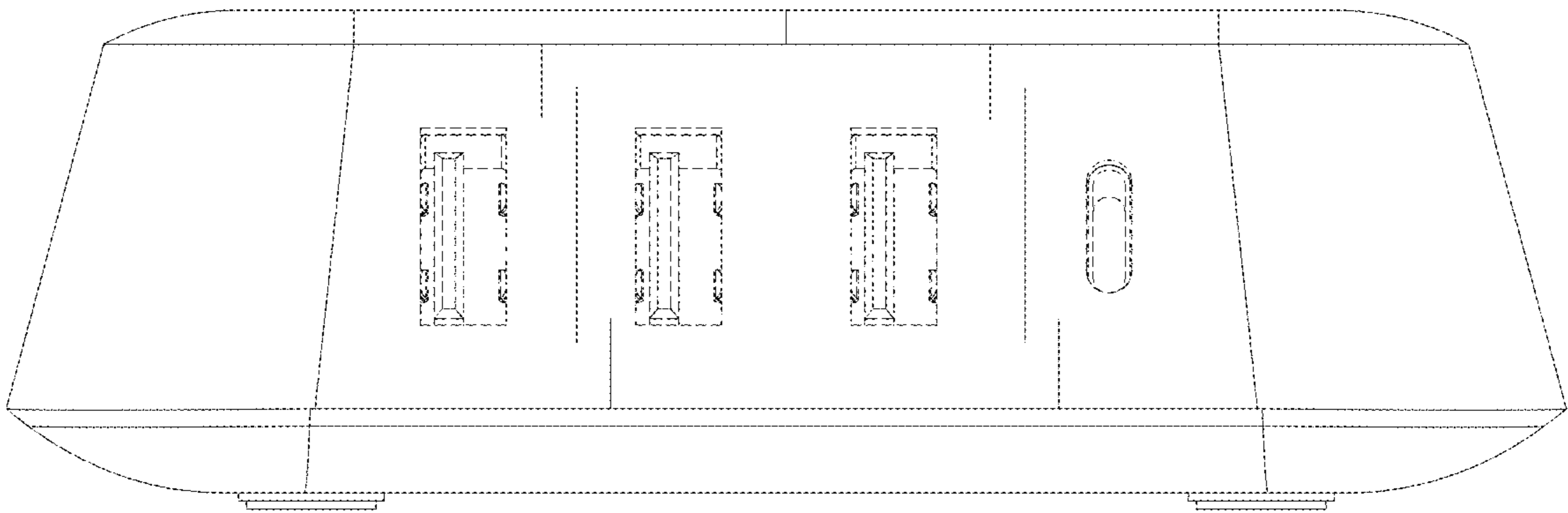


Fig. 1

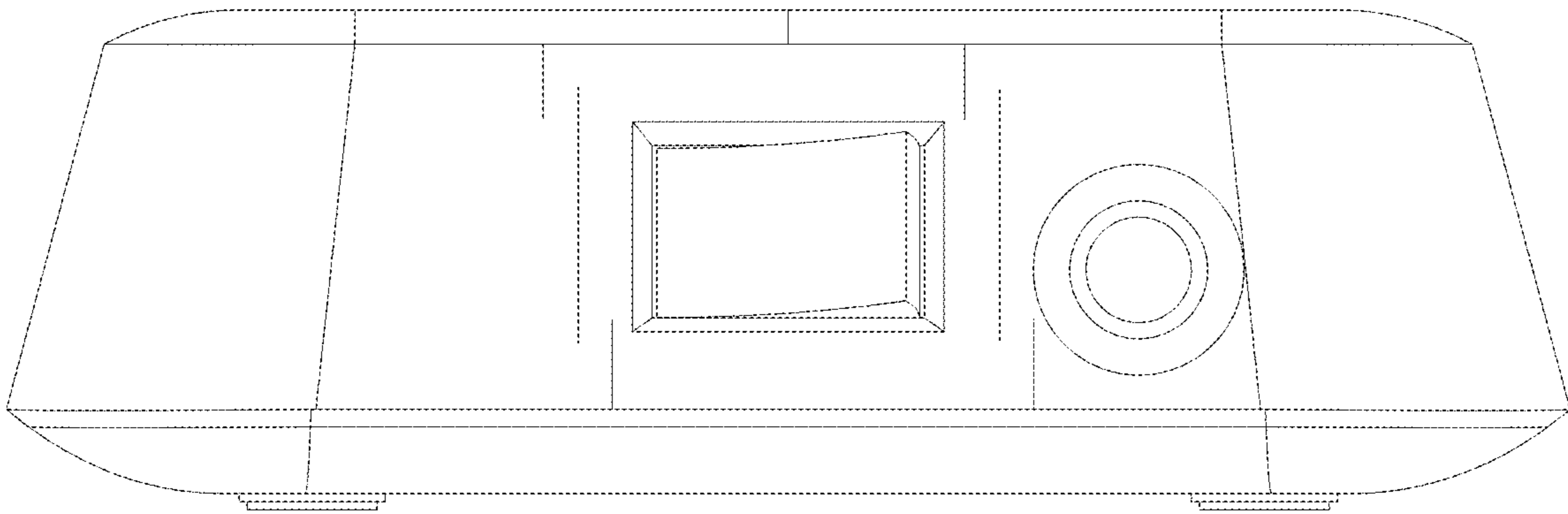


Fig. 2

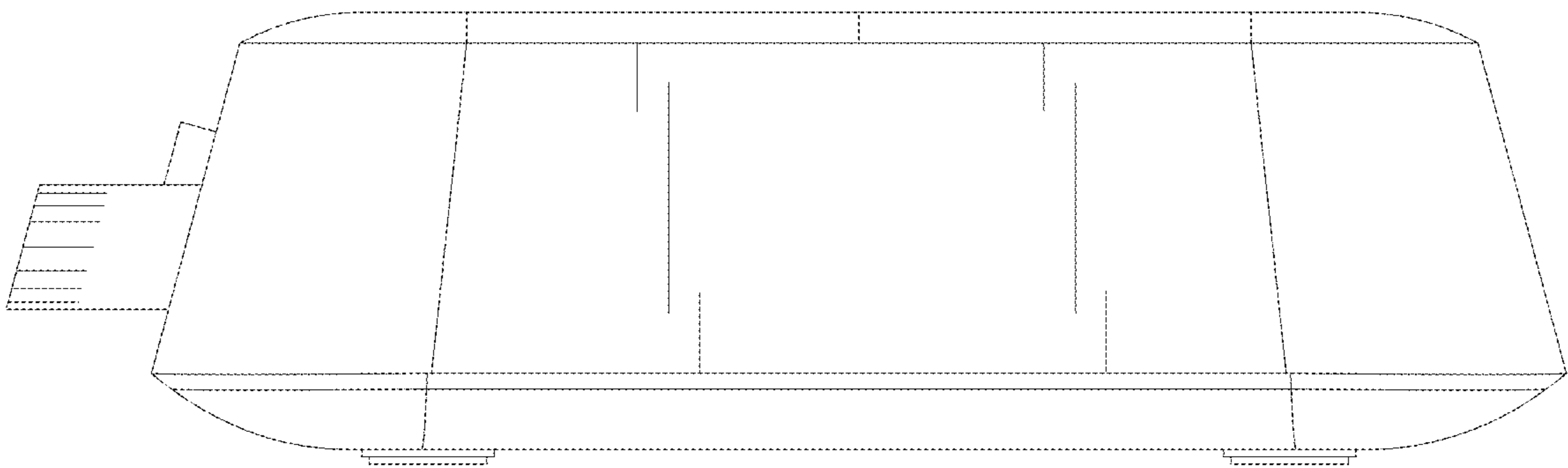


Fig. 3

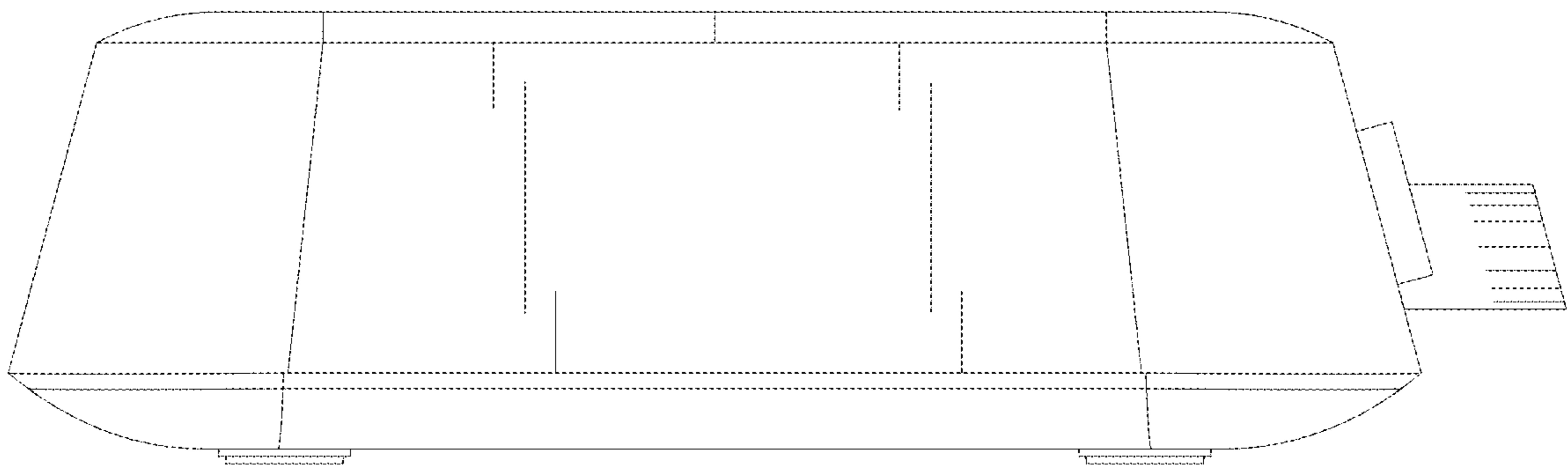


Fig. 4

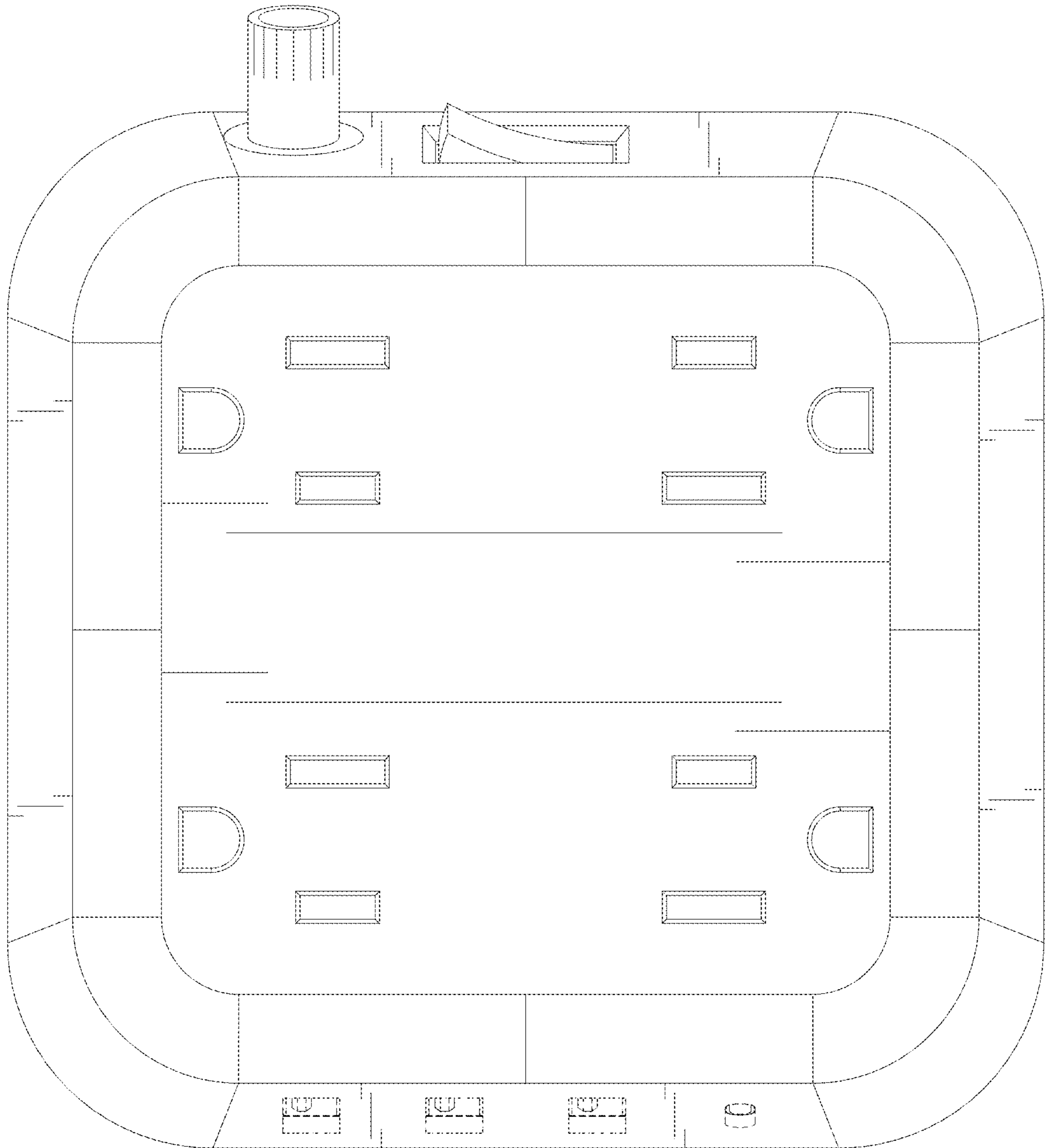


Fig. 5

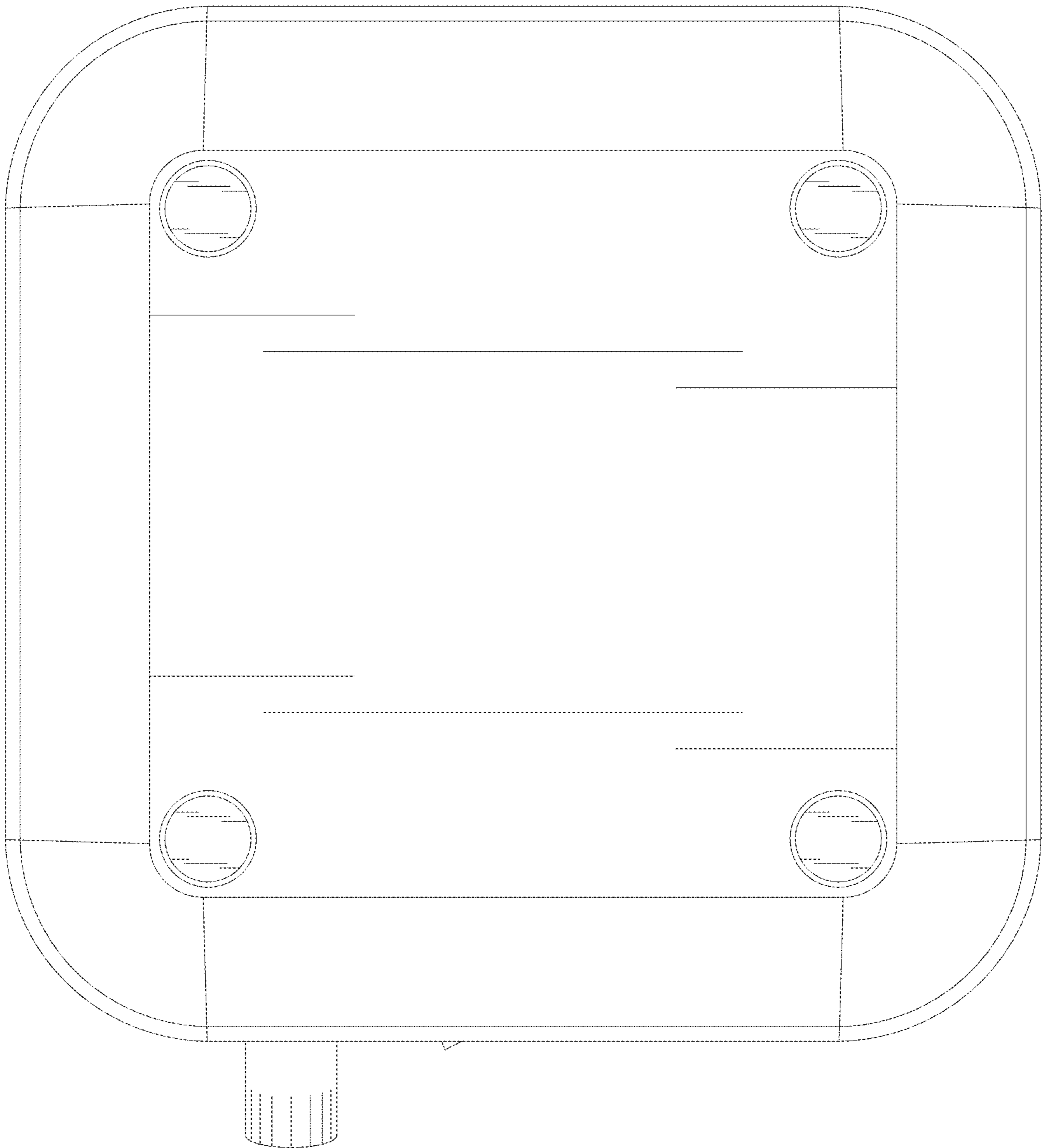


Fig. 6

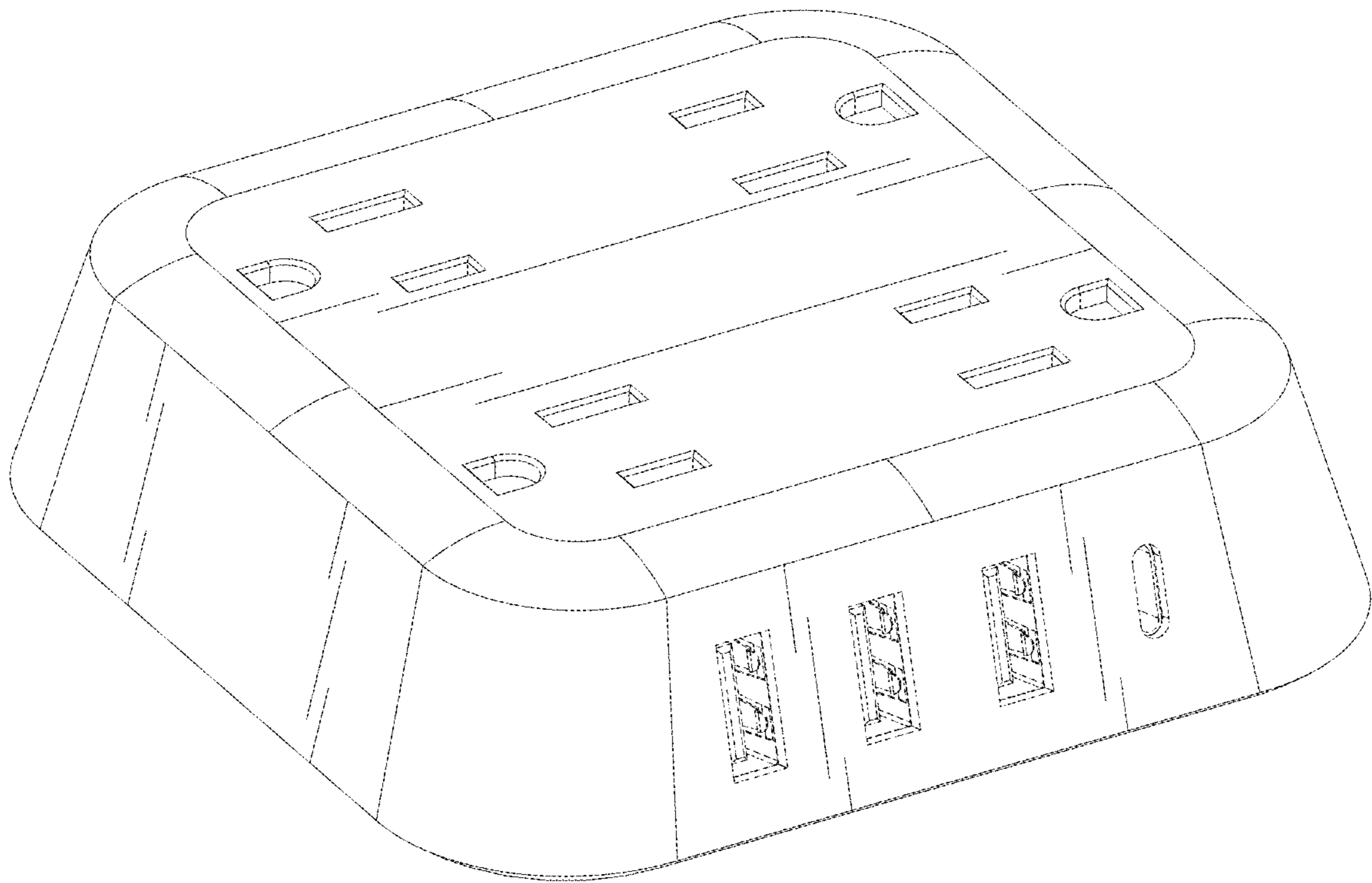


Fig. 7

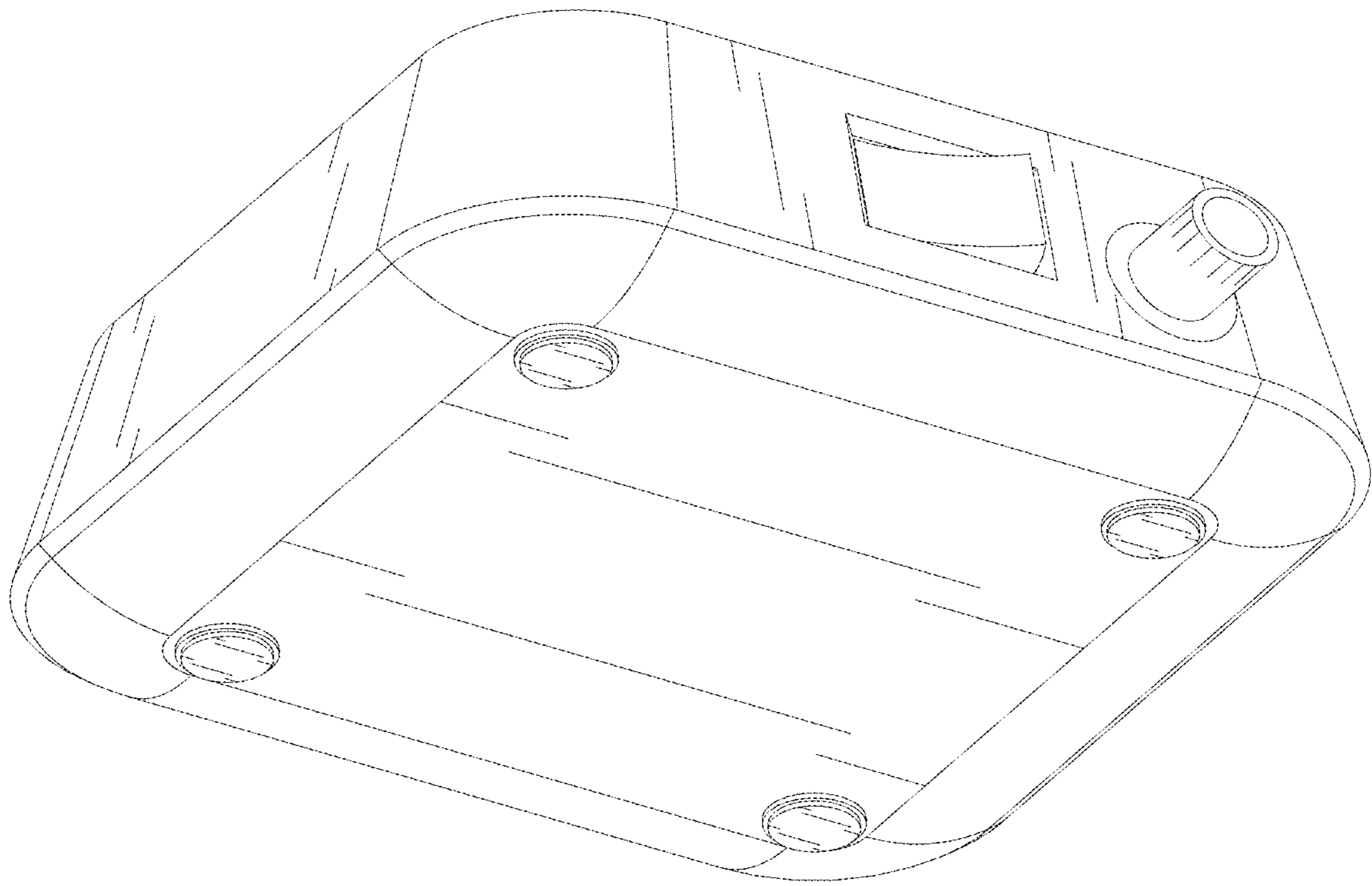


Fig. 8