

US00D953271S

(12) **United States Design Patent** (10) **Patent No.:** **US D953,271 S**
Brower et al. (45) **Date of Patent:** **** May 31, 2022**

(54) **POWER PEDESTAL**

FOREIGN PATENT DOCUMENTS

(71) Applicant: **Hubbell Incorporated**, Shelton, CT
(US)

CA 66875 * 9/1990
CN 306278699 * 1/2021

(Continued)

(72) Inventors: **John Brower**, Fairfield, CT (US);
Matthew Samojeden, Rye, NY (US)

OTHER PUBLICATIONS

(73) Assignee: **Hubbell Incorporated**, Shelton, CT
(US)

“Intelligent Dockside Power Pedestals”, first published 2020, Hubbell Marine Electrical Products, pp. 2-4. (Year: 2021).*

(**) Term: **15 Years**

Primary Examiner — Rosemary K Tarcza

Assistant Examiner — Seth David Kumpf

(21) Appl. No.: **29/719,039**

(74) *Attorney, Agent, or Firm* — Michael Best & Friedrich LLP

(22) Filed: **Dec. 31, 2019**

(51) **LOC (13) Cl.** **13-03**

(57) **CLAIM**

(52) **U.S. Cl.**
USPC **D13/139.5**

We claim the ornamental design for a power pedestal, as shown and described.

(58) **Field of Classification Search**
USPC D13/110, 137.2, 133, 139.8, 153, 103,
D13/199, 107, 139.4, 139.5, 118, 108,
D13/102, 119, 137.1, 137.3, 137.4, 138.1,
D13/138.2, 139.1, 139.2, 139.3, 139.6,
D13/139.7, 152, 162, 164, 184; D14/432,
D14/433, 434, 372
CPC H02J 7/0027; H02J 7/02; H02J 7/0044;
H02J 7/0045; H01R 13/20; H01R 13/26;
H01R 25/00; H01R 25/003; H01R
13/6675; H01M 10/44; H01M 10/46
See application file for complete search history.

DESCRIPTION

FIG. 1 is a perspective view of a power pedestal.
FIG. 2 is a front view of the power pedestal shown in FIG. 1.
FIG. 3 is a rear view of the power pedestal shown in FIG. 1.
FIG. 4 is a first side view of the power pedestal shown in FIG. 1.
FIG. 5 is a second view of the power pedestal shown in FIG. 1.
FIG. 6 is a top view of the power pedestal shown in FIG. 1; and,
FIG. 7 is a bottom view of the power pedestal shown in FIG. 1.

(56) **References Cited**

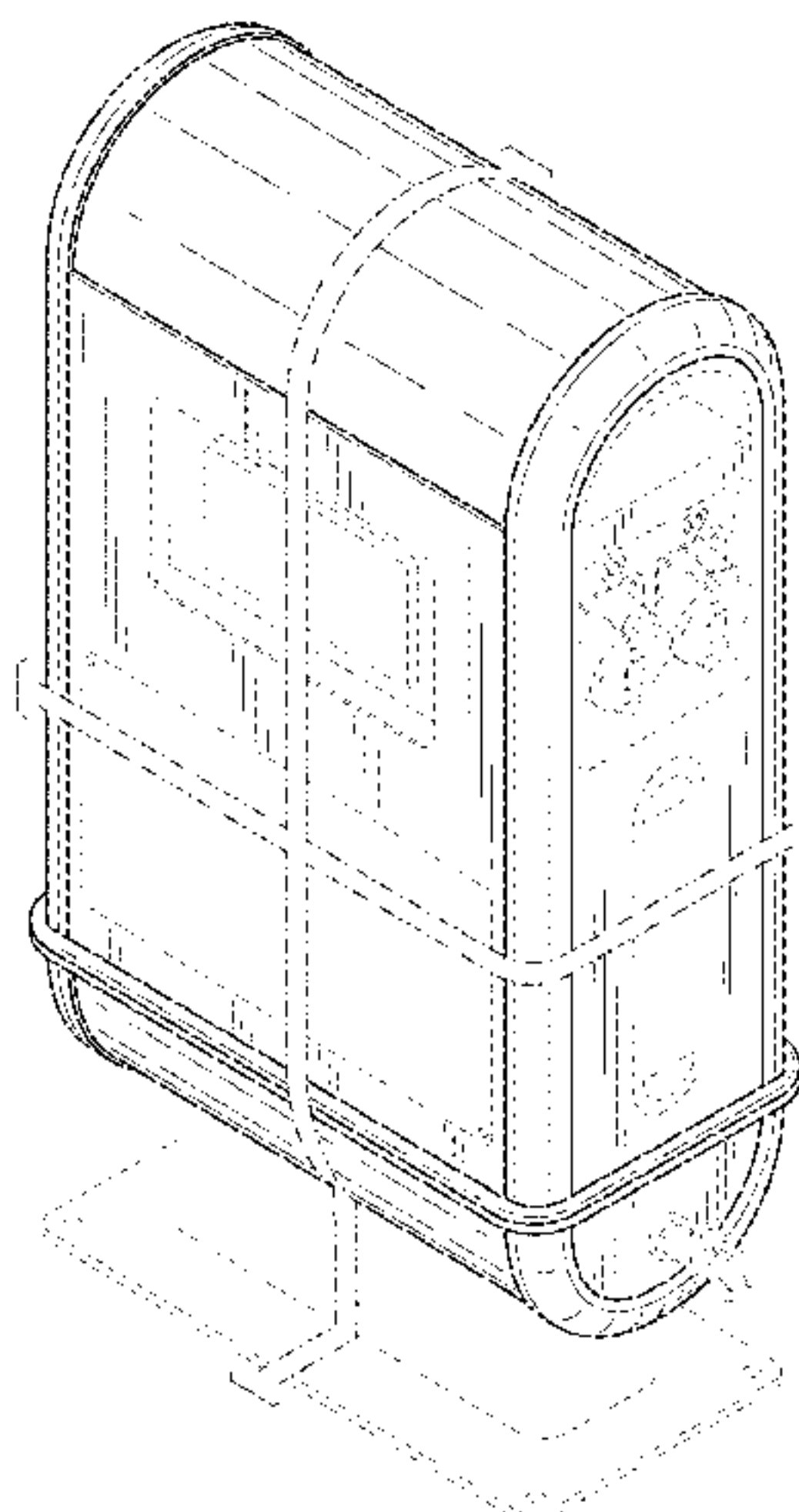
U.S. PATENT DOCUMENTS

D126,590 S * 4/1941 Lewin D13/139.4
D237,718 S * 11/1975 Bozich D13/139.5
D629,747 S * 12/2010 Rajakaruna D13/107
D654,860 S * 2/2012 Holthusen D13/107
D734,249 S * 7/2015 Shimada D13/107

Any broken lines represent portions of the power pedestal that form no part of the claimed design. Any dash-dot broken lines represent the boundaries of the claim. The dash-dot broken lines themselves form no part of the claimed design. The power pedestal is shown with symbolic breaks in its

(Continued)

(Continued)



width and height. The appearance of any portion of the article between the break lines form no part of the claimed design.

1 Claim, 5 Drawing Sheets

(56) **References Cited**

U.S. PATENT DOCUMENTS

D842,242 S * 3/2019 Zhang D13/107
D858,435 S * 9/2019 Helnerus D13/107
D873,768 S * 1/2020 Minkyo D13/107
2006/0042679 A1 * 3/2006 Choi H02S 40/38
136/244
2017/0349057 A1 * 12/2017 Namba B60L 50/60

FOREIGN PATENT DOCUMENTS

KR 300970818.0000 * 8/2018
TR 201575-0002 * 7/2019
TR 201575-0005 * 7/2019
TR 201575-0007 * 7/2019

* cited by examiner

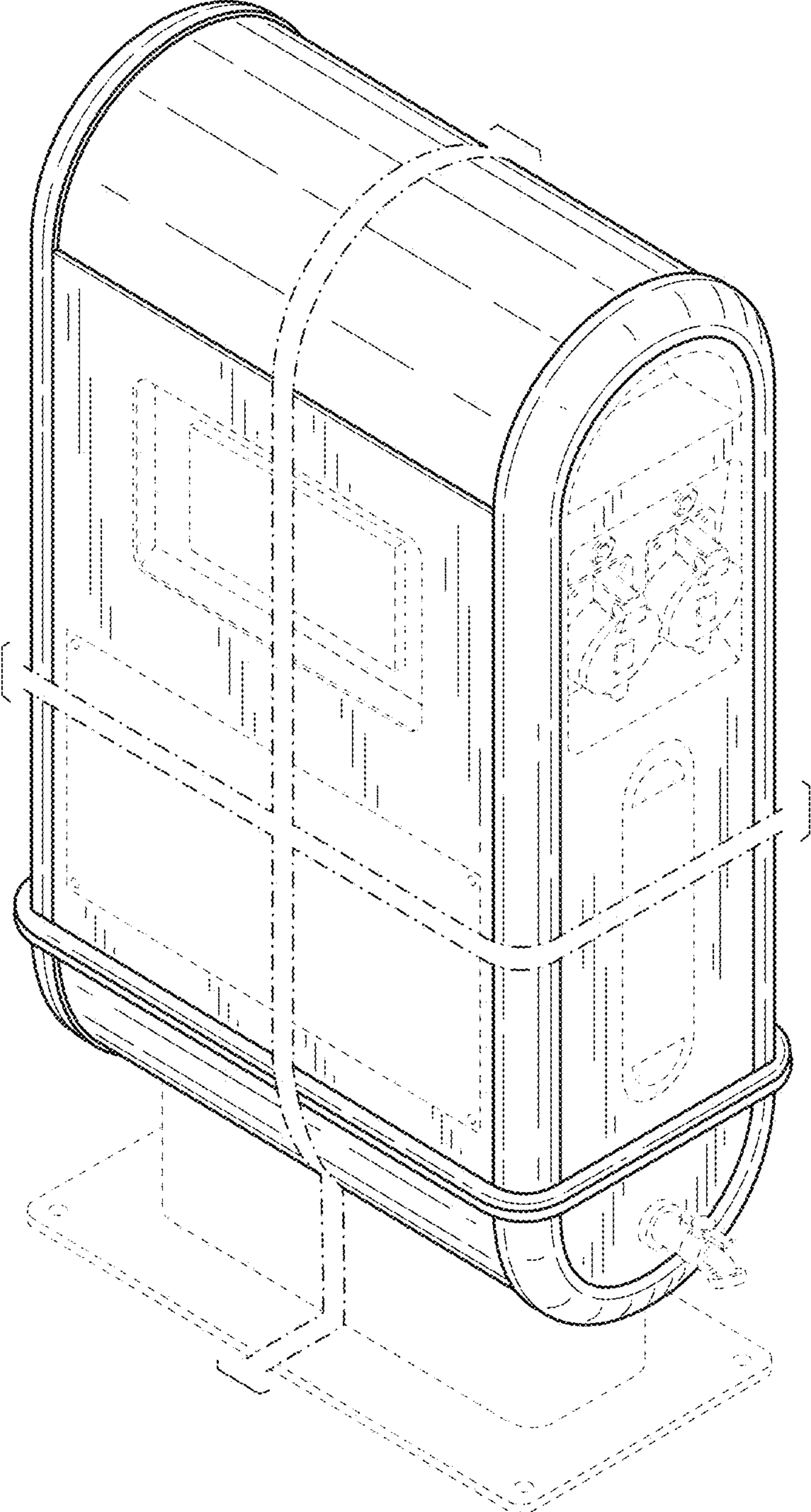


FIG. 1

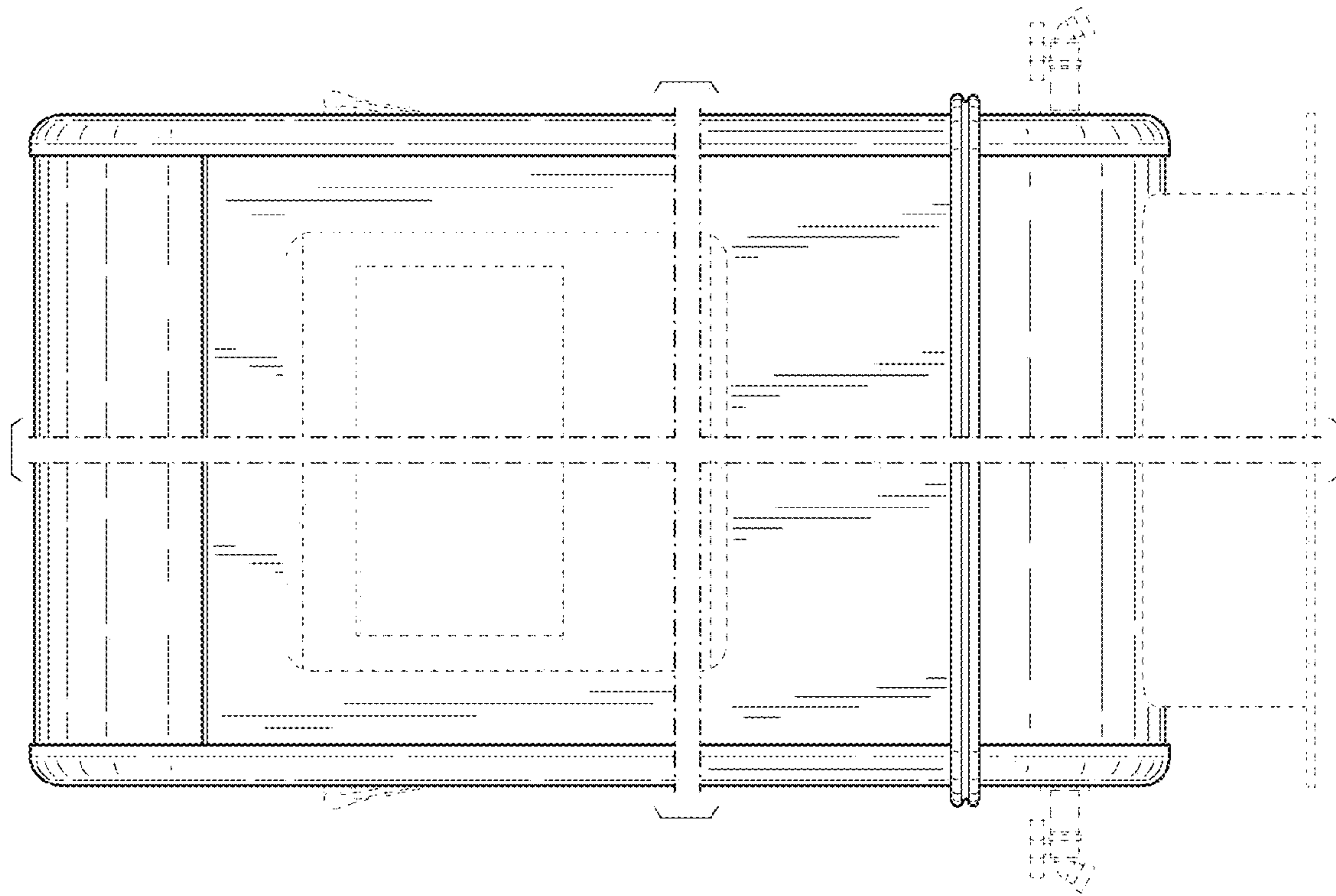


FIG. 2

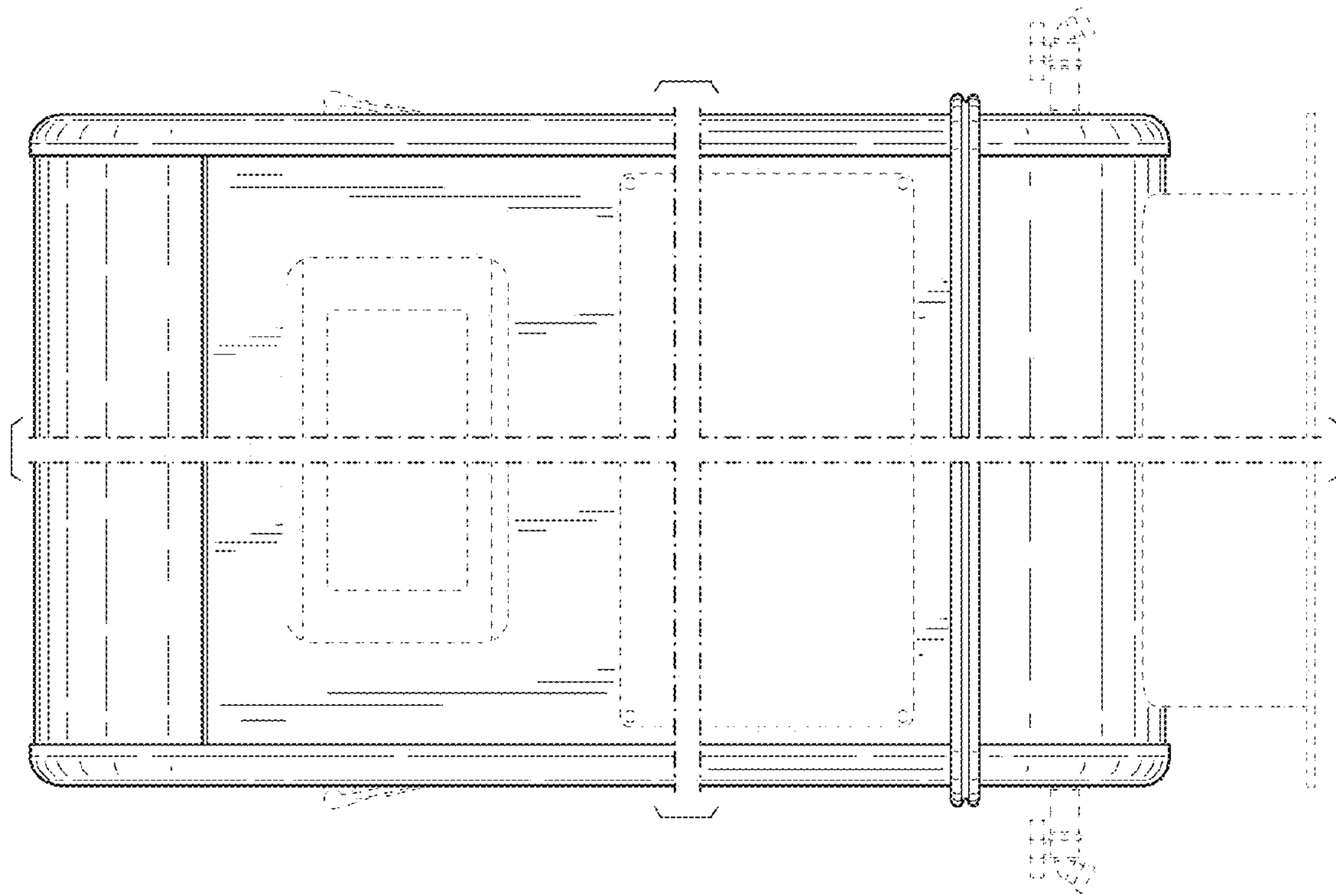


FIG. 3

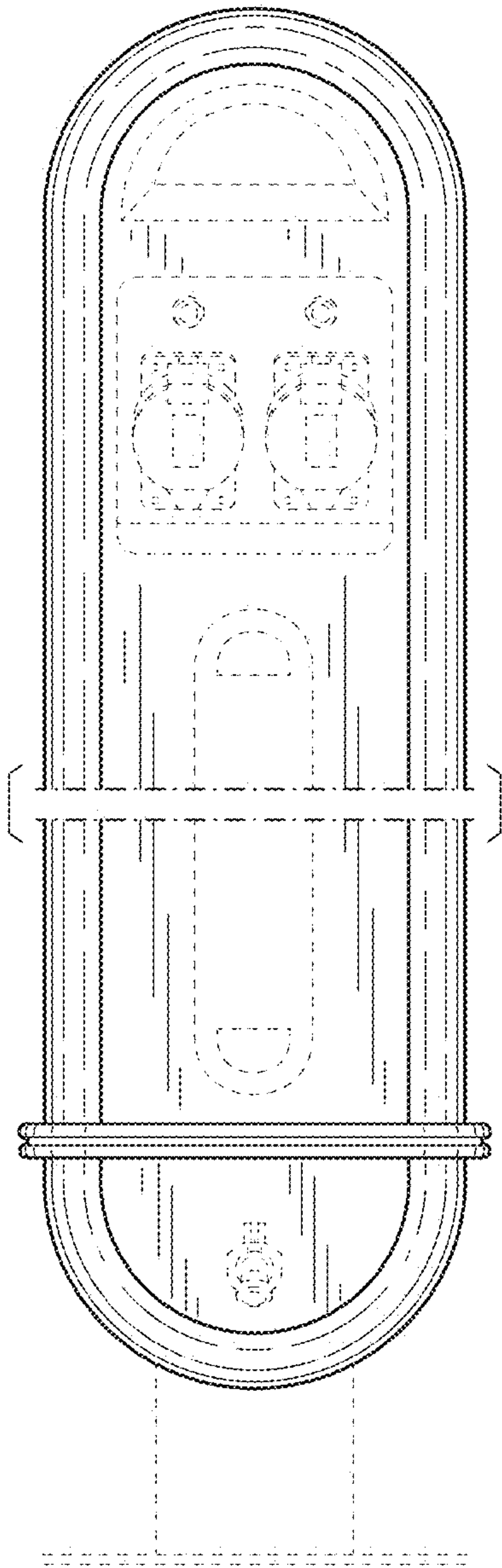


FIG. 4

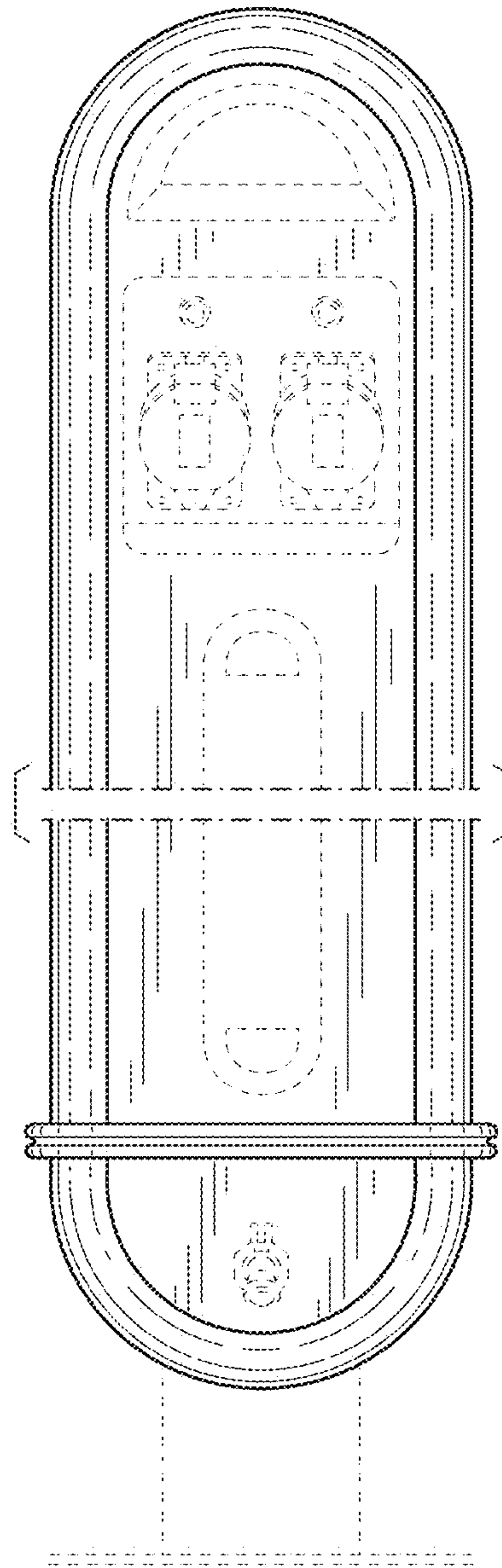


FIG. 5

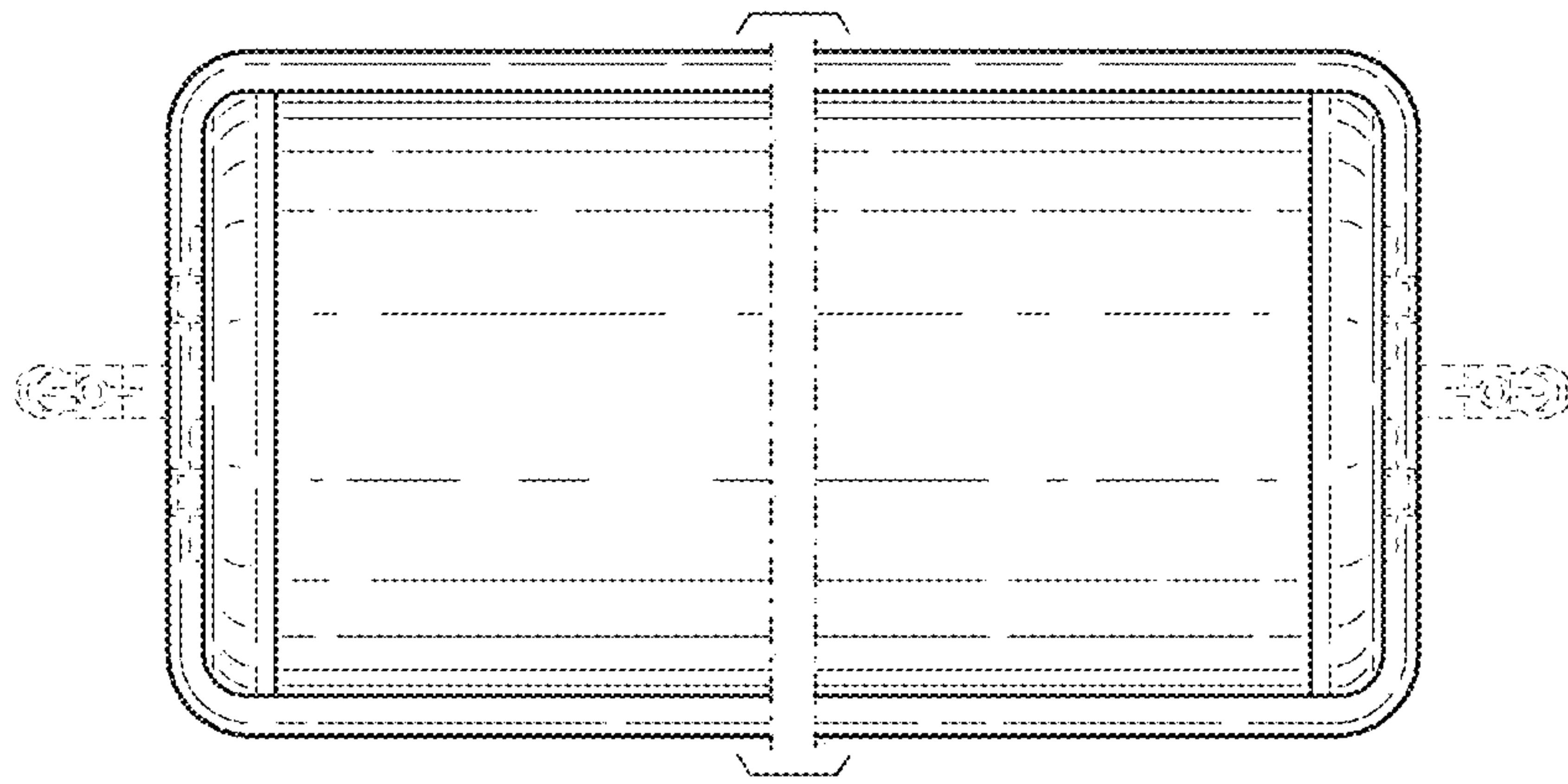


FIG. 6

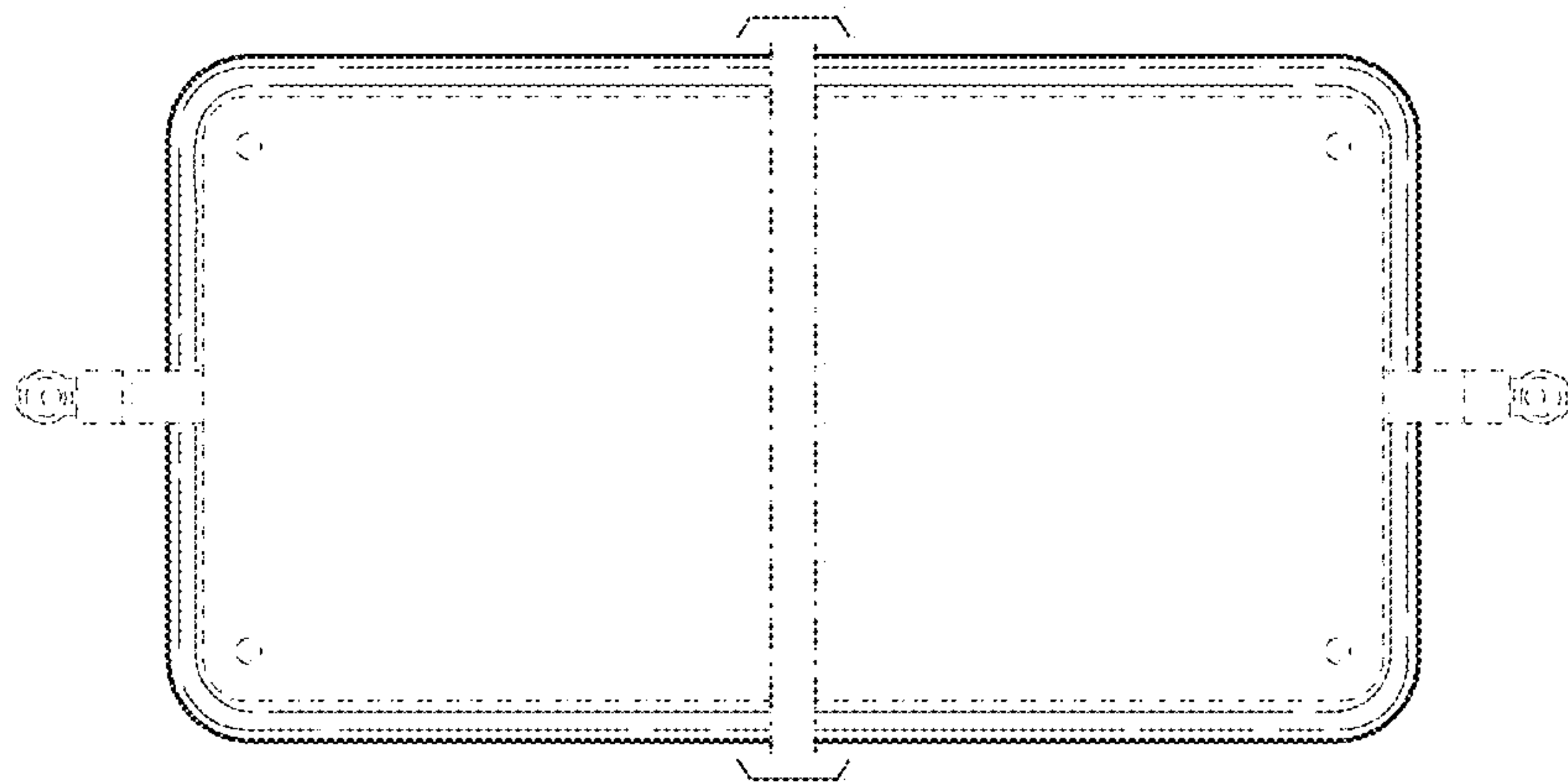


FIG. 7

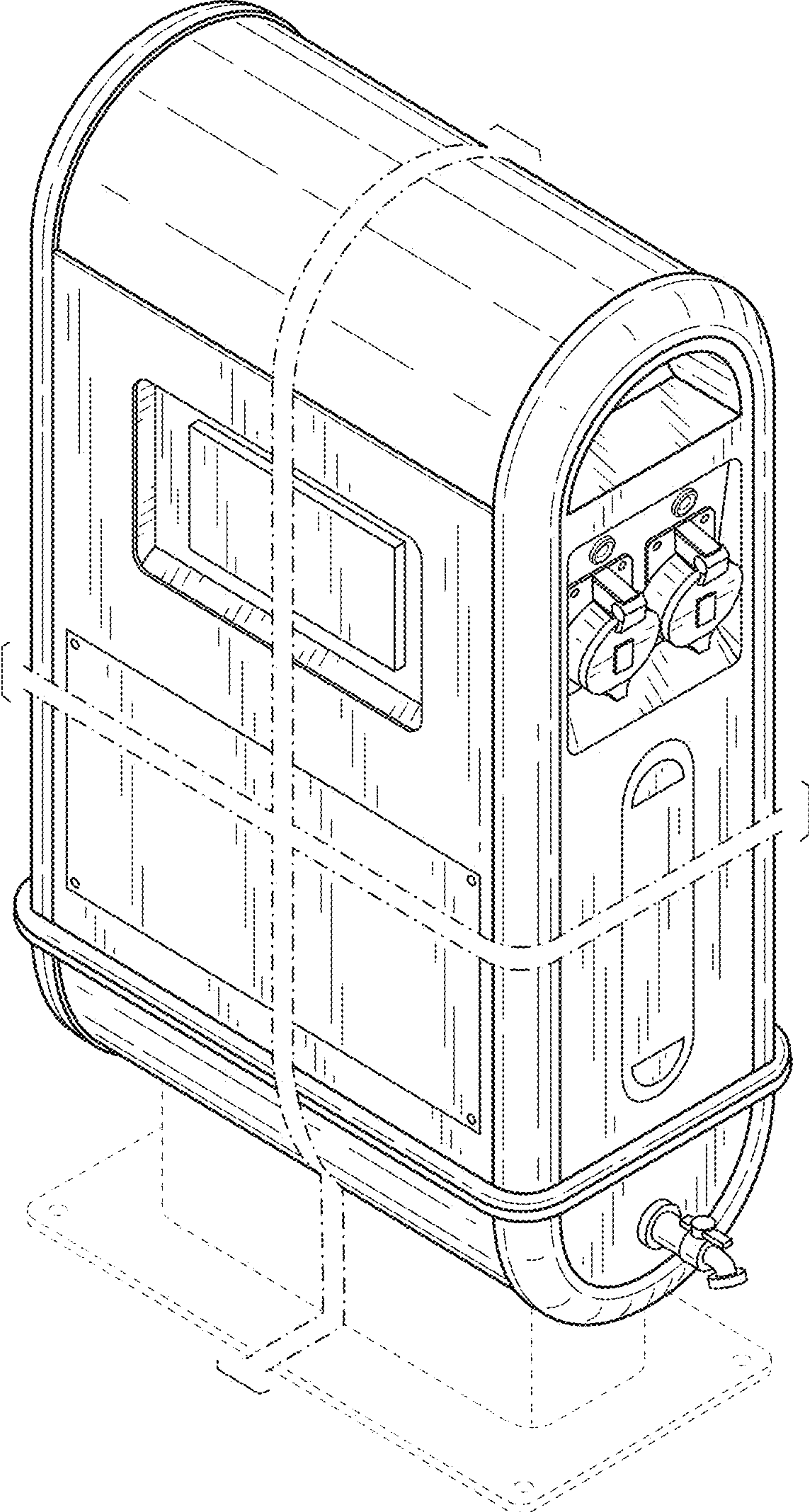


FIG. 8