



US00D953270S

(12) **United States Design Patent** (10) **Patent No.:** **US D953,270 S**
Brandstatter et al. (45) **Date of Patent:** **** May 31, 2022**

(54) **GROMMET ASSEMBLY HAVING ELECTRICAL POWER RECEPTACLES FOR USE WITH A WORK SURFACE**

9,219,341	B1 *	12/2015	O'Keefe	H01R 13/72
10,256,582	B1 *	4/2019	Brandstatter	H02G 3/18
10,367,317	B1 *	7/2019	Rahner	H01R 25/003
10,770,875	B2 *	9/2020	Byrne	H01R 24/64
D905,644	S *	12/2020	Byrne	D13/139.4
11,088,523	B1 *	8/2021	Gretz	H02G 3/088
2002/0068474	A1 *	6/2002	Davidson	H01R 13/6392
					439/346
2008/0200064	A1 *	8/2008	Chong	H02G 3/22
					439/571
2015/0295375	A1 *	10/2015	Byrne	H01R 35/04
					439/131

(71) Applicant: **Premier Manufacturing Group, Inc.**, Shelton, CT (US)

(72) Inventors: **Michael Brandstatter**, Milford, CT (US); **Bernard Bensussan**, Stratford, CT (US); **Michael O'Keefe**, Wethersfield, CT (US)

(73) Assignee: **Premier Manufacturing Group, Inc.**, Shelton, CT (US)

(**) Term: **15 Years**

(21) Appl. No.: **29/751,361**

(22) Filed: **Sep. 21, 2020**

Related U.S. Application Data

(62) Division of application No. 29/635,109, filed on Jan. 28, 2018, now Pat. No. Des. 900,034, which is a division of application No. 15/833,029, filed on Dec. 6, 2017, now Pat. No. 10,256,582.

(51) **LOC (13) Cl.** **13-03**

(52) **U.S. Cl.**
USPC **D13/138.1**

(58) **Field of Classification Search**
USPC D13/137.1-137.3, 138.1-138.2, D13/139.1-139.4; D8/356; D14/433
CPC .. H01R 25/003; H01R 13/72; H01R 13/6392; H01R 35/04; H01R 24/64; H02G 3/22; H02G 3/088; H02G 3/18
See application file for complete search history.

(56) **References Cited**

U.S. PATENT DOCUMENTS

6,875,040	B1 *	4/2005	O'Keefe	H01R 13/6392
					439/369
7,626,120	B1 *	12/2009	Golden	H02G 3/0493
					174/53

* cited by examiner

Primary Examiner — Rhea Shields

(74) *Attorney, Agent, or Firm* — Taylor IP, P.C.

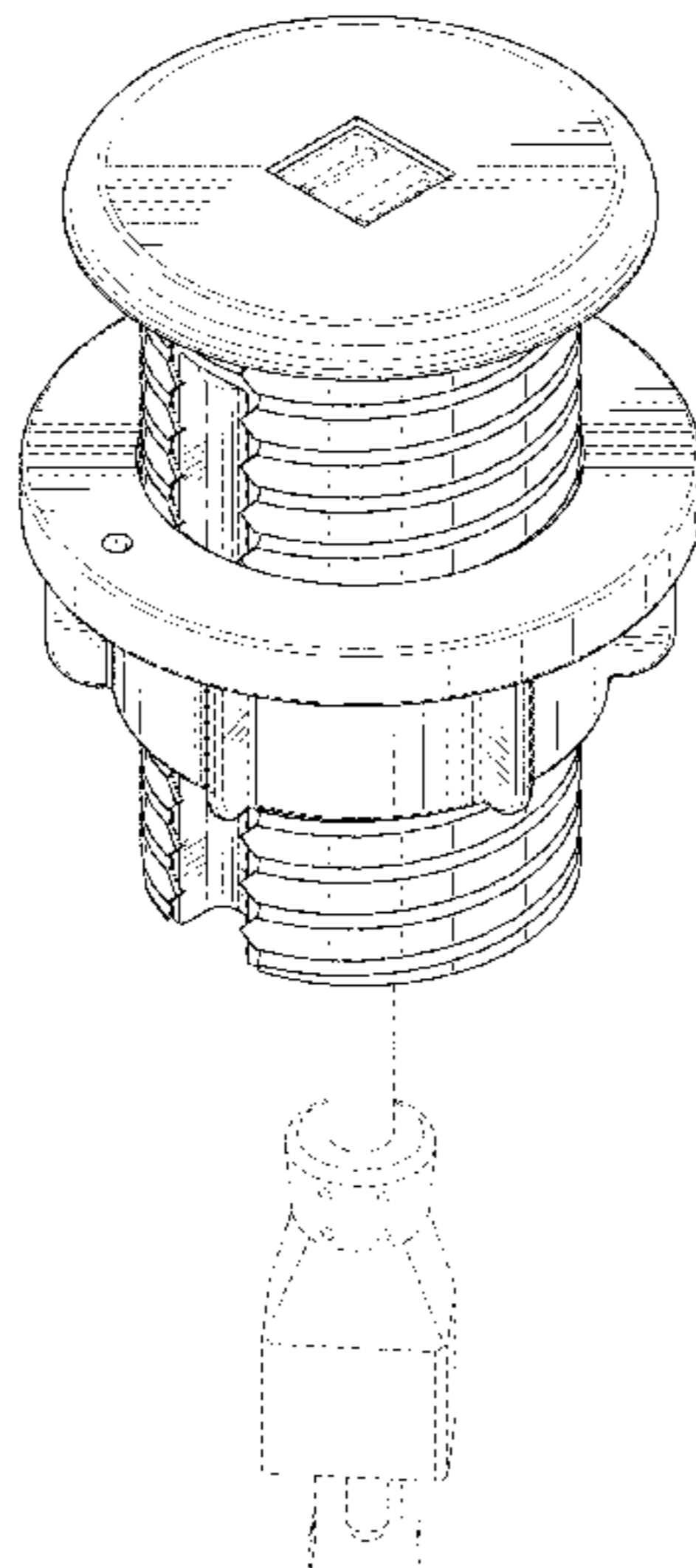
(57) **CLAIM**

The ornamental design for a grommet assembly having electrical power receptacles for use with a work surface, as shown and described.

DESCRIPTION

FIG. 1 is a top perspective view of a grommet assembly having electrical power receptacles for use with a work surface showing our new design; FIG. 2 is a front elevational view of the grommet assembly, the rear elevational view being identical to the front elevational view; FIG. 3 is a left side elevational view of the grommet assembly, the right side elevational view being identical to the left side elevational view; FIG. 4 is a top plan view of the grommet assembly; and, FIG. 5 is a bottom plan view of the grommet assembly. In the drawings, the broken lines are for the purpose of illustrating portions of the grommet assembly having electrical power receptacles for use with a work surface that form no part of the claimed design.

1 Claim, 5 Drawing Sheets



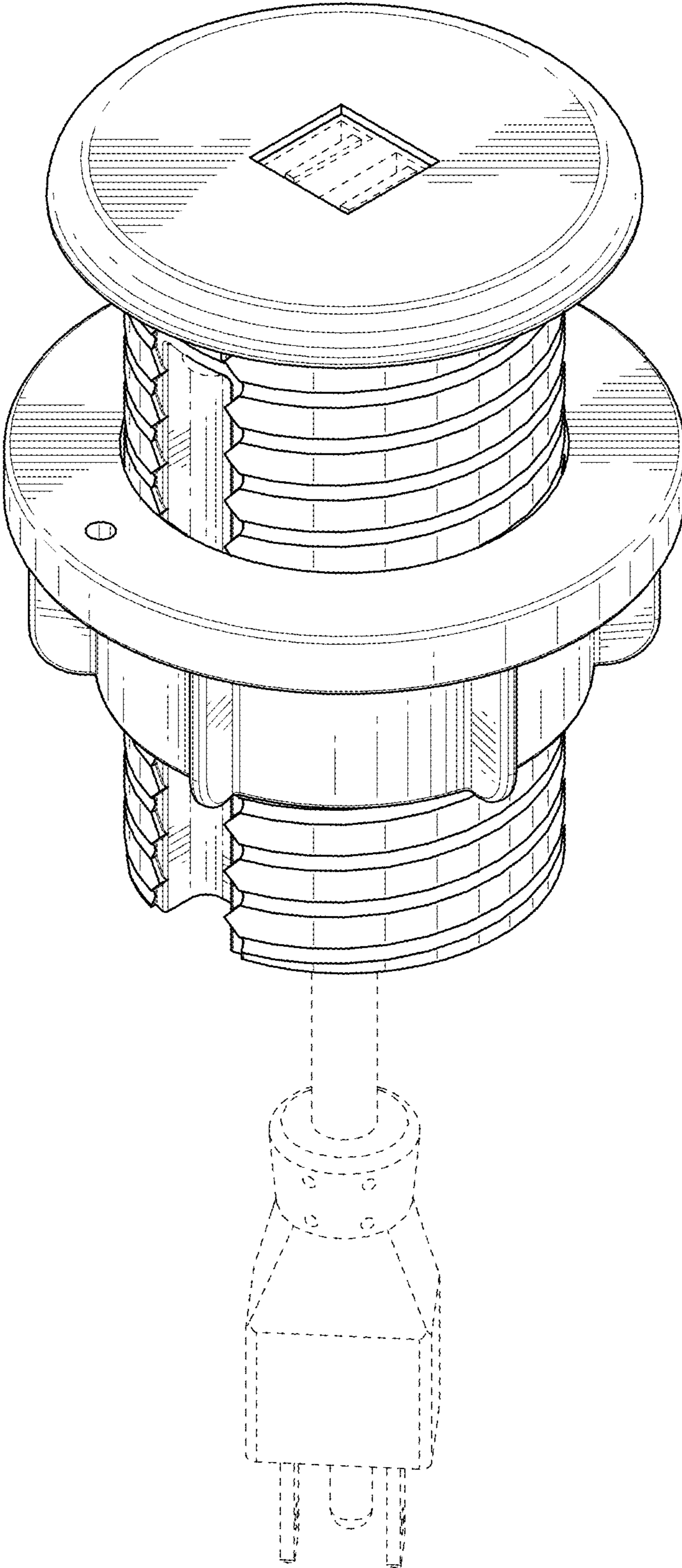


FIG. 1

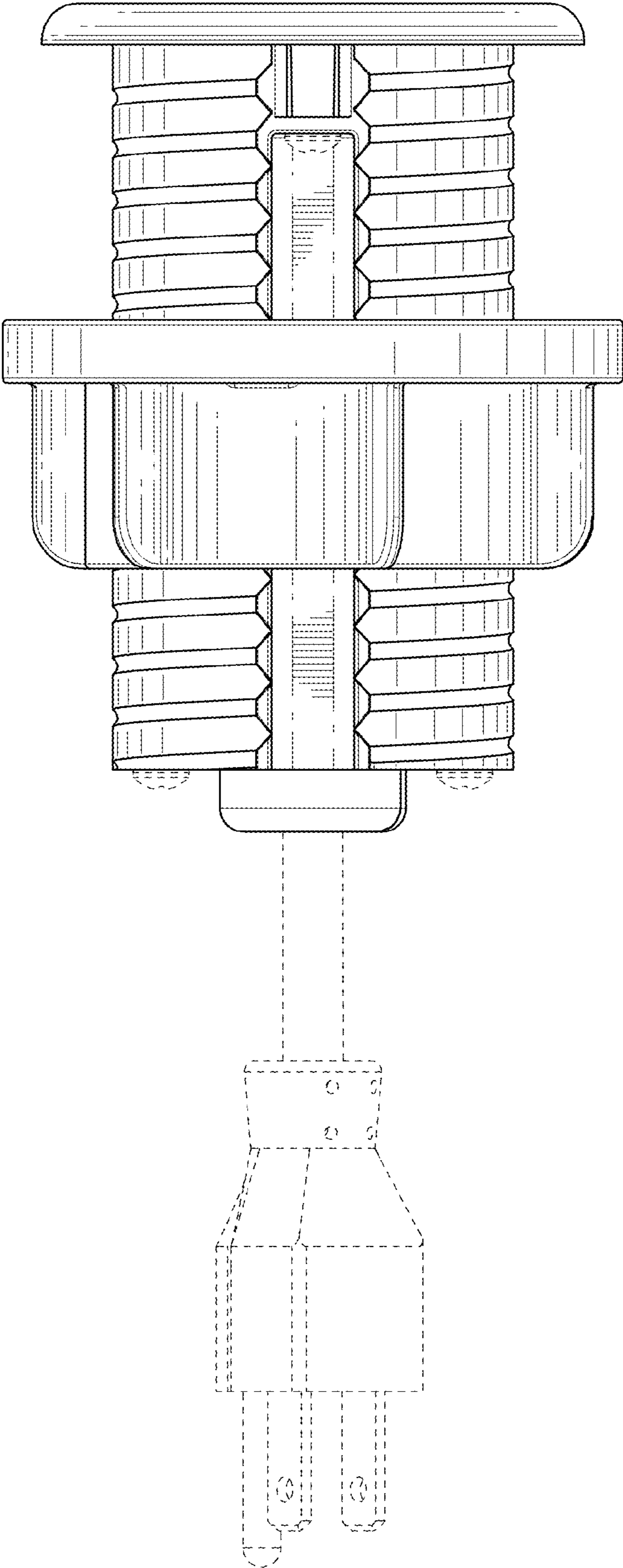


FIG.2

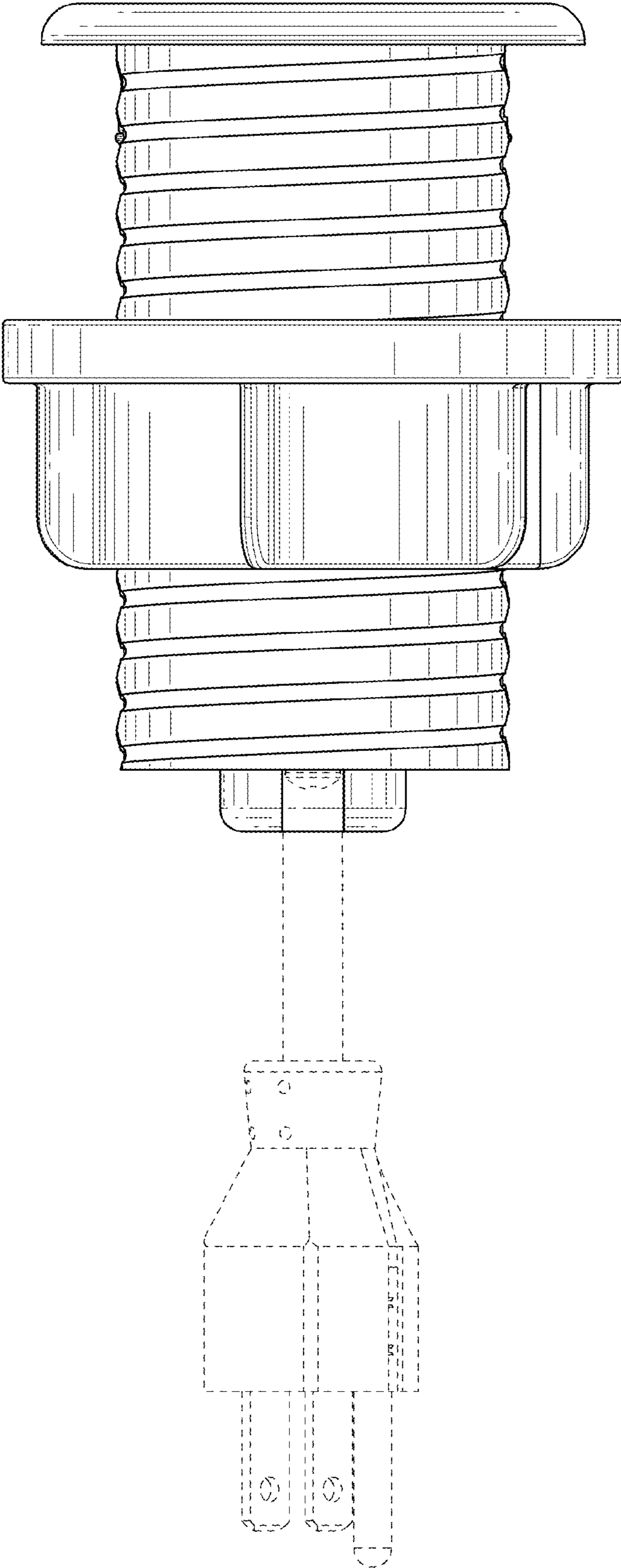


FIG.3

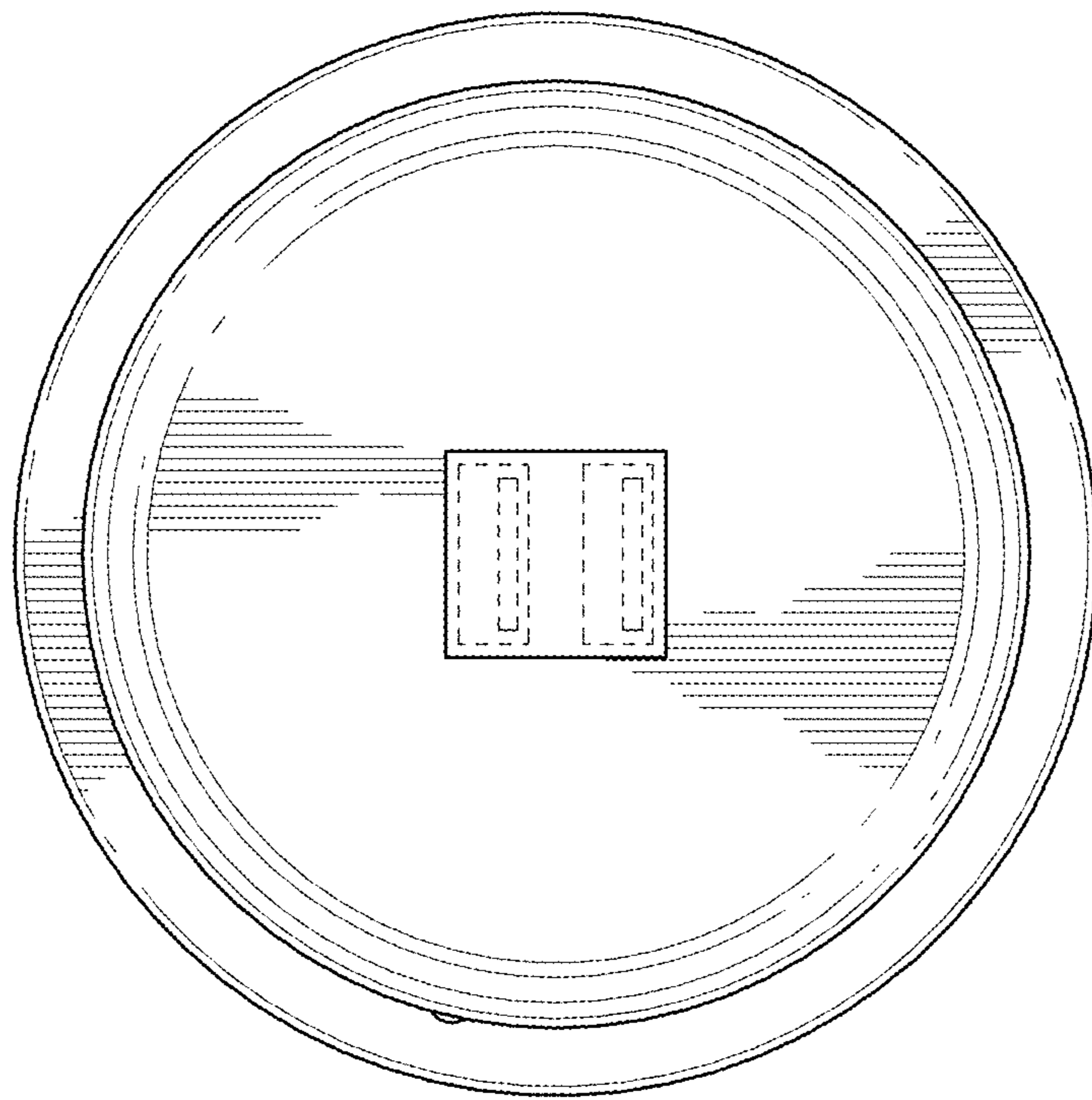


FIG.4

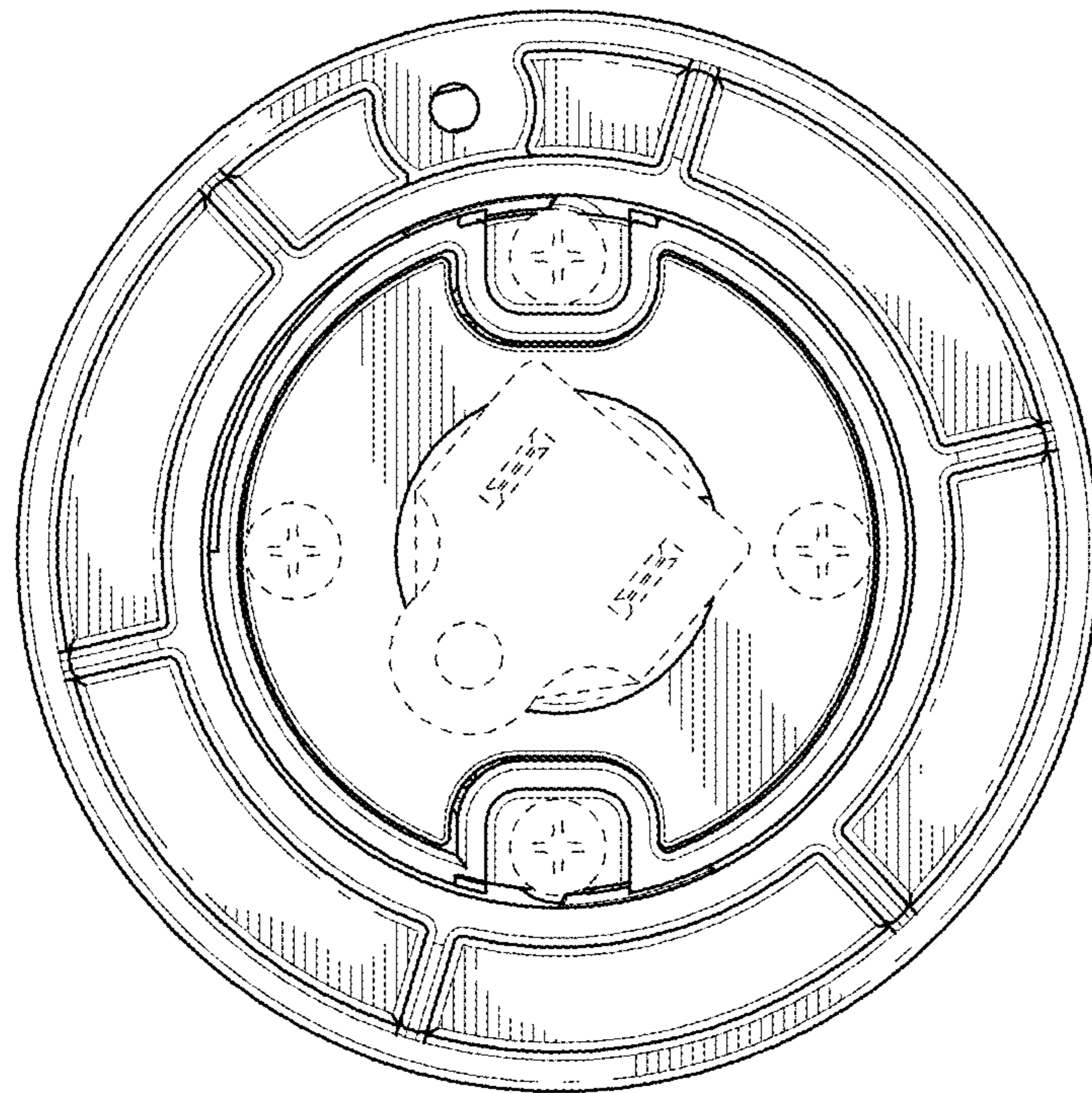


FIG. 5