



US00D953269S

(12) **United States Design Patent** (10) **Patent No.:** **US D953,269 S**
Yuan (45) **Date of Patent:** **** May 31, 2022**

(54) **TRAVEL ADAPTER**
(71) Applicant: **Shenzhen Bison Electronics Co., Ltd.**,
Shenzhen (CN)

D892,055 S * 8/2020 Wang D13/137.2
D895,555 S * 9/2020 Hasan D13/137.2
D900,747 S * 11/2020 Huang D13/137.2
2018/0337501 A1 * 11/2018 Cai H01R 31/06
2019/0341731 A1 * 11/2019 Barnett H01R 31/06

(72) Inventor: **Ruhe Yuan**, Jiujiang (CN)

FOREIGN PATENT DOCUMENTS

(**) Term: **15 Years**

CN 306052638 * 9/2020

(21) Appl. No.: **29/752,121**

OTHER PUBLICATIONS

(22) Filed: **Sep. 25, 2020**

(51) **LOC (13) Cl.** **13-03**

(52) **U.S. Cl.**
USPC **D13/137.1**

“2019 New upgrade 18W PD quick charge universal travel adapter”,
first accessed Oct. 27, 2021. GlobalSources.com [https://www.
globalsources.com/USB-power/Universal-Travel-adaptor-1170138081p.
htm#1170138081] (Year: 2021).*

(Continued)

(58) **Field of Classification Search**

USPC D13/137.1, 137.2, 137.3, 137.4, 138.1,
D13/138.2, 139.1, 139.2, 139.7, 139.8,
D13/184, 103, 107, 199, 108, 110, 119,
D13/123, 133, 139.3, 139.5, 139.6, 152,
D13/145, 153, 154, 156, 158, 160, 162,
D13/177; D14/433, 434
CPC H01R 13/00; H01R 13/04; H01R 13/10;
H01R 13/665; H01R 13/6666; H01R
13/6676; H01R 13/7135; H01R 25/00;
H01R 25/006; H01R 9/00; H01R 11/00;
H02H 3/33; H02H 3/162; H01H 2207/00;
H01H 2207/022; H01H 2203/00; H05K
5/00; H05K 5/03

Primary Examiner — Rosemary K Tarcza

Assistant Examiner — Seth David Kumpf

See application file for complete search history.

(57) **CLAIM**

The ornamental design for a travel adapter, as shown and
described.

DESCRIPTION

FIG. 1 is a perspective view of a travel adapter showing my
new design;
FIG. 2 is a front view thereof;
FIG. 3 is a back view thereof;
FIG. 4 is a left side view thereof;
FIG. 5 is a right side view thereof;
FIG. 6 is a top view thereof; and,
FIG. 7 is a bottom view thereof.

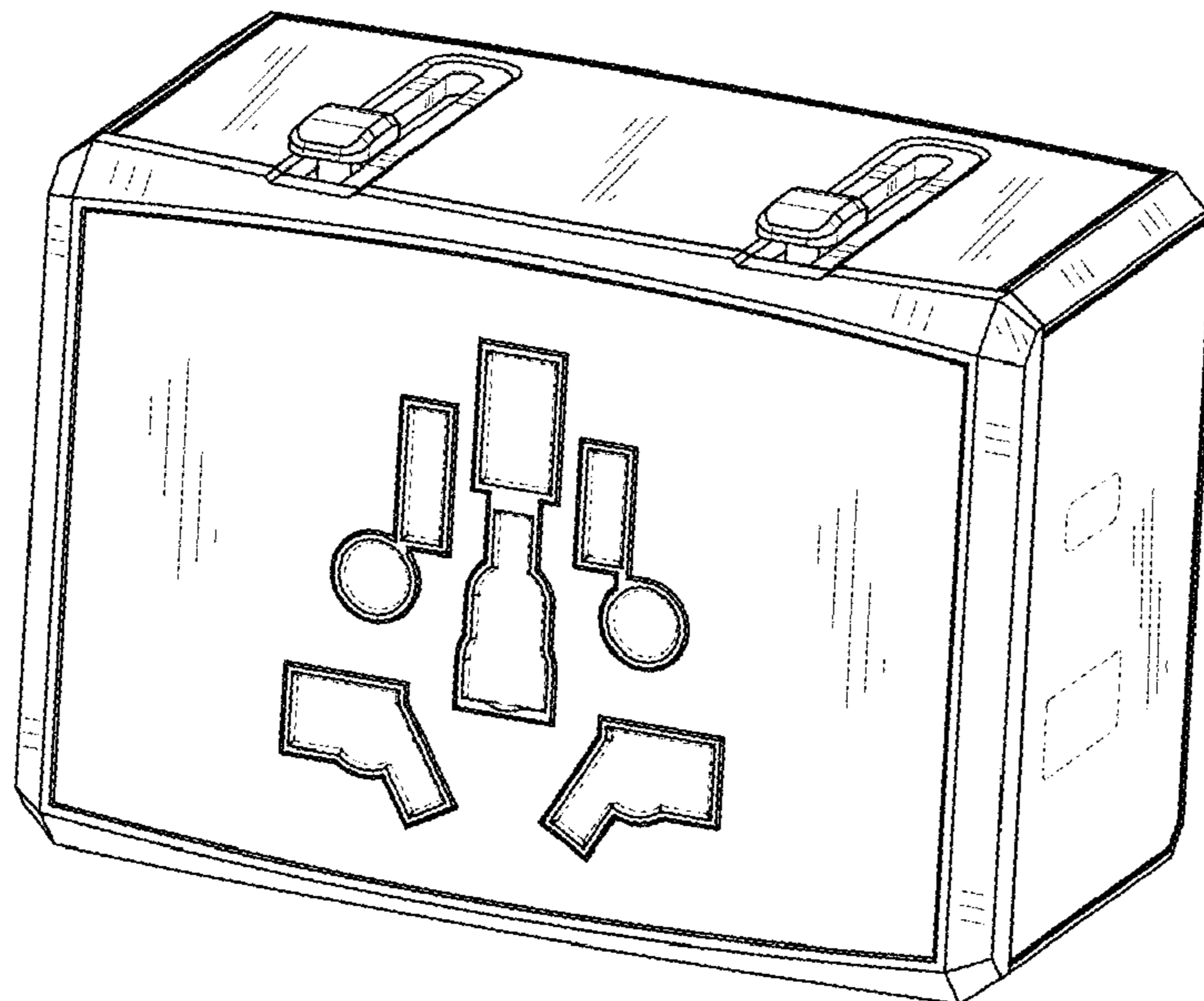
The broken lines shown in the drawings depict portions of
the travel adapter in which the design is embodied that form
no part of the claimed design.

(56) **References Cited**

U.S. PATENT DOCUMENTS

D838,245 S * 1/2019 Lin D13/137.2
D841,653 S * 2/2019 Lin D14/433
D841,654 S * 2/2019 Lin D14/433
D848,947 S * 5/2019 Liu D13/137.2
D855,571 S * 8/2019 Zeng D13/137.2
D856,933 S * 8/2019 Lin D13/137.2
D863,223 S * 10/2019 Zeng D13/137.2

1 Claim, 7 Drawing Sheets



(56)

References Cited

OTHER PUBLICATIONS

“Acouto International Travel Adapter, Universal Travel Plug Power Outlet Socket Adapter Converter for UK EU US JP AU CN”, first accessed Oct. 26, 2021. Amazon.com [<https://www.amazon.com/Acouto-International-Adapter-Universal-Converter/dp/B09JKMMCRJ>] (Year: 2021).*

“LENCENT Universal Travel Adapter, International Charger with 4 USB Ports and Type-C PD Fast Charging Adaptor for iPhone, Samsung, Tablet, Gopro. for Over 200 Countries Type A/C/G/ I (USA, UK, EU AUS)”, first available Sep. 17, 2020. Amazon.com [<https://www.amazon.com/Webcam-Microphone-1082P-Streaming-Computer/dp/B07W4GJLGY>] (Year: 2020).*

* cited by examiner

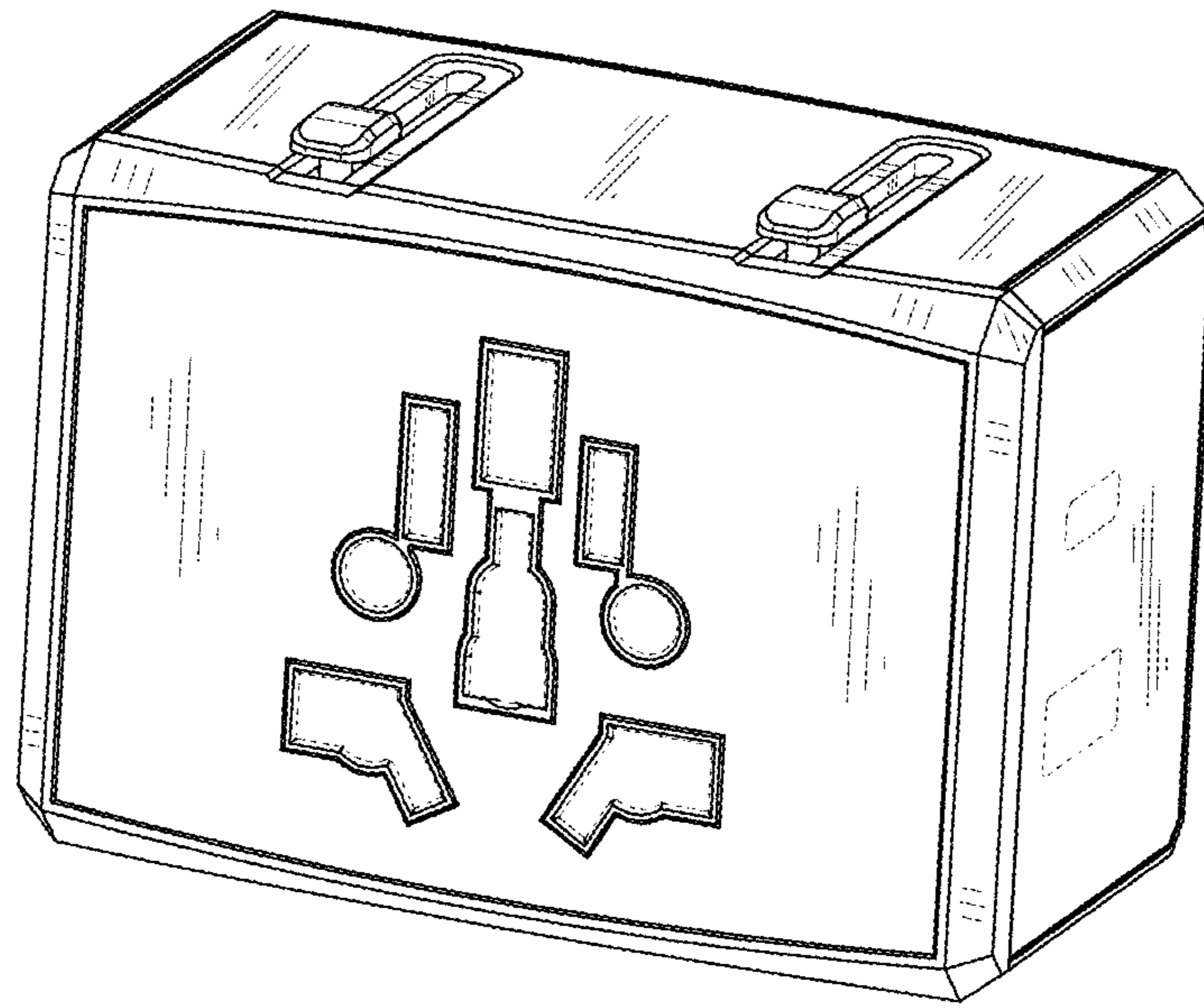


FIG. 1

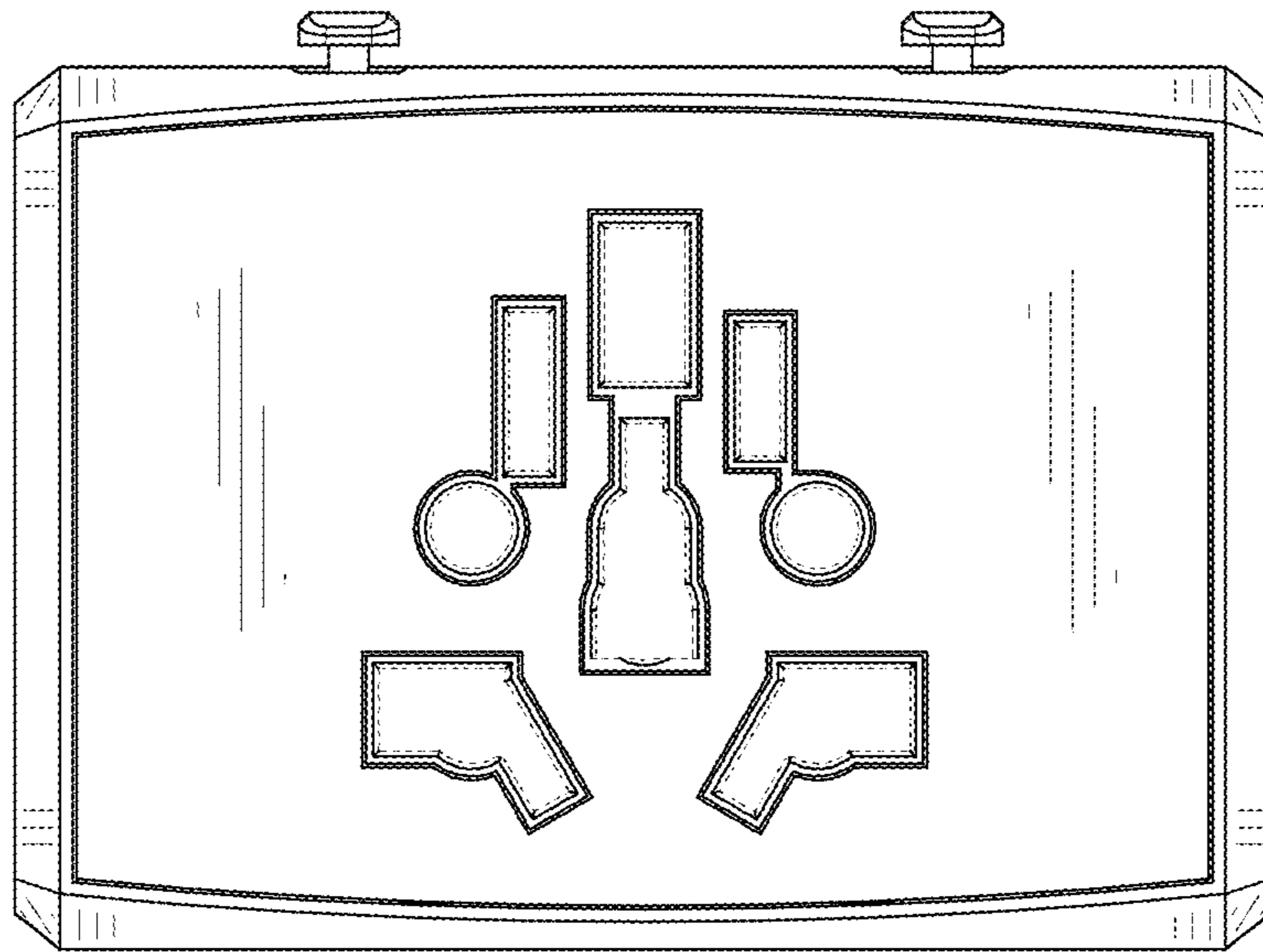


FIG. 2

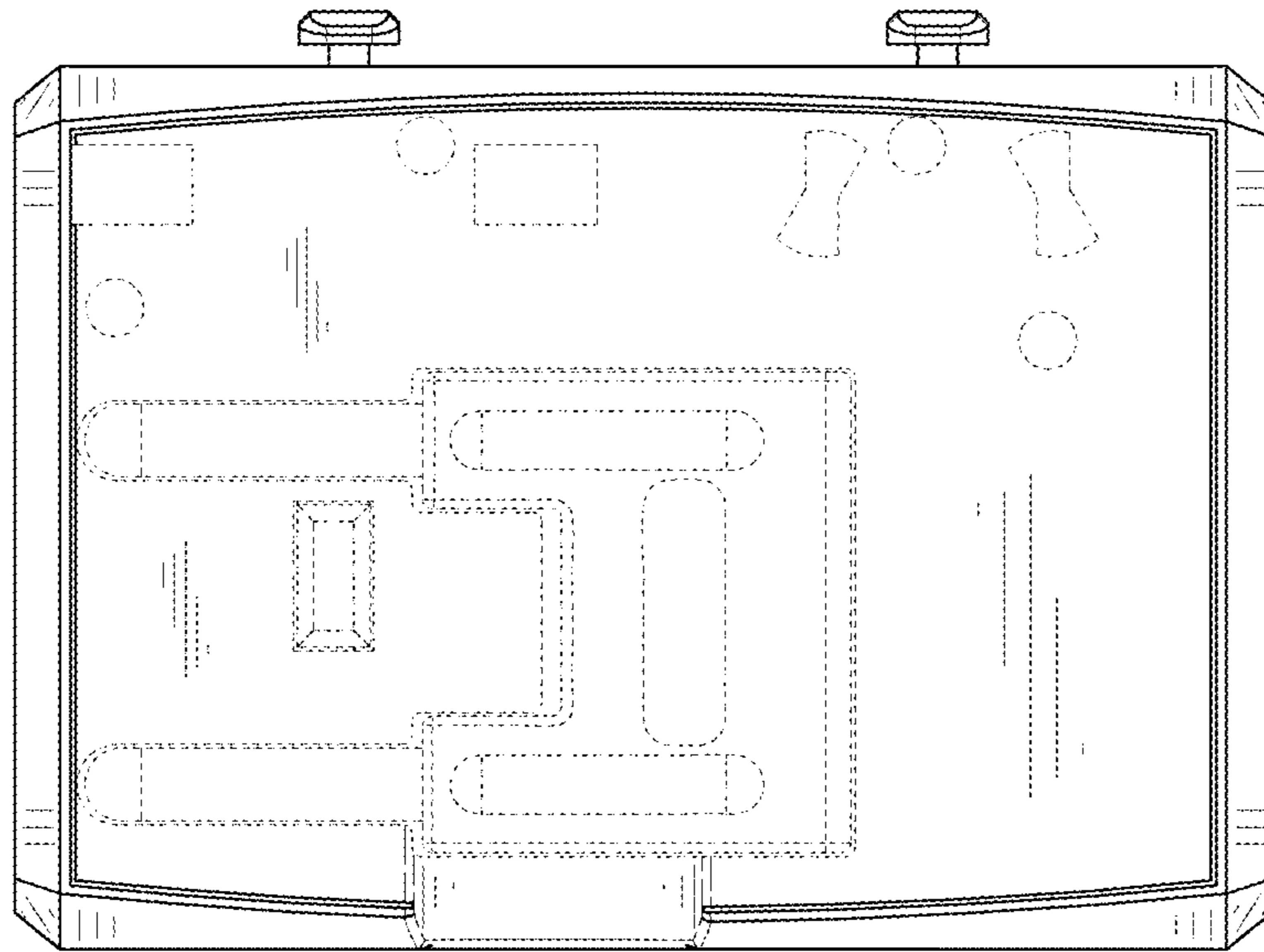


FIG. 3

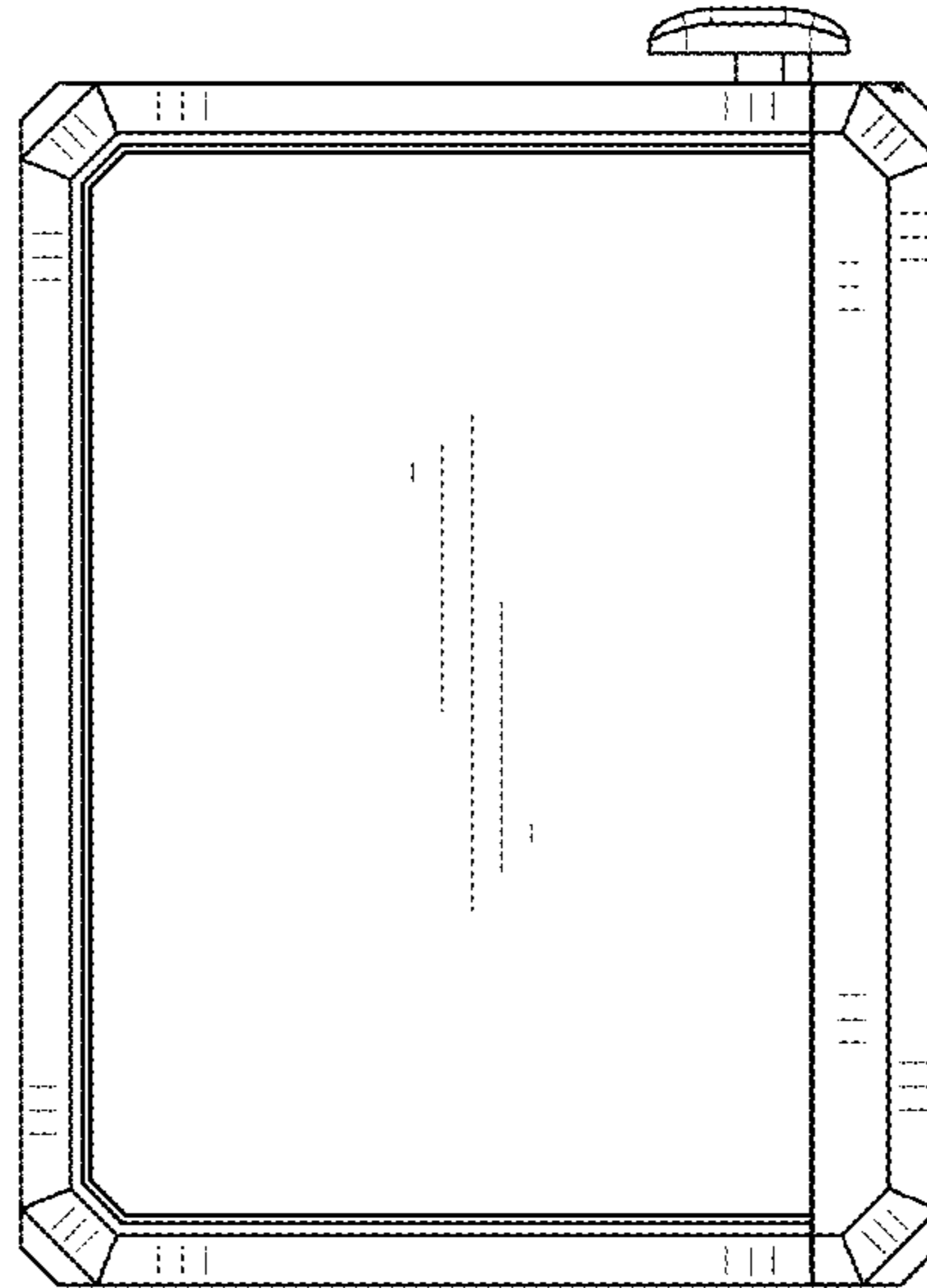


FIG. 4

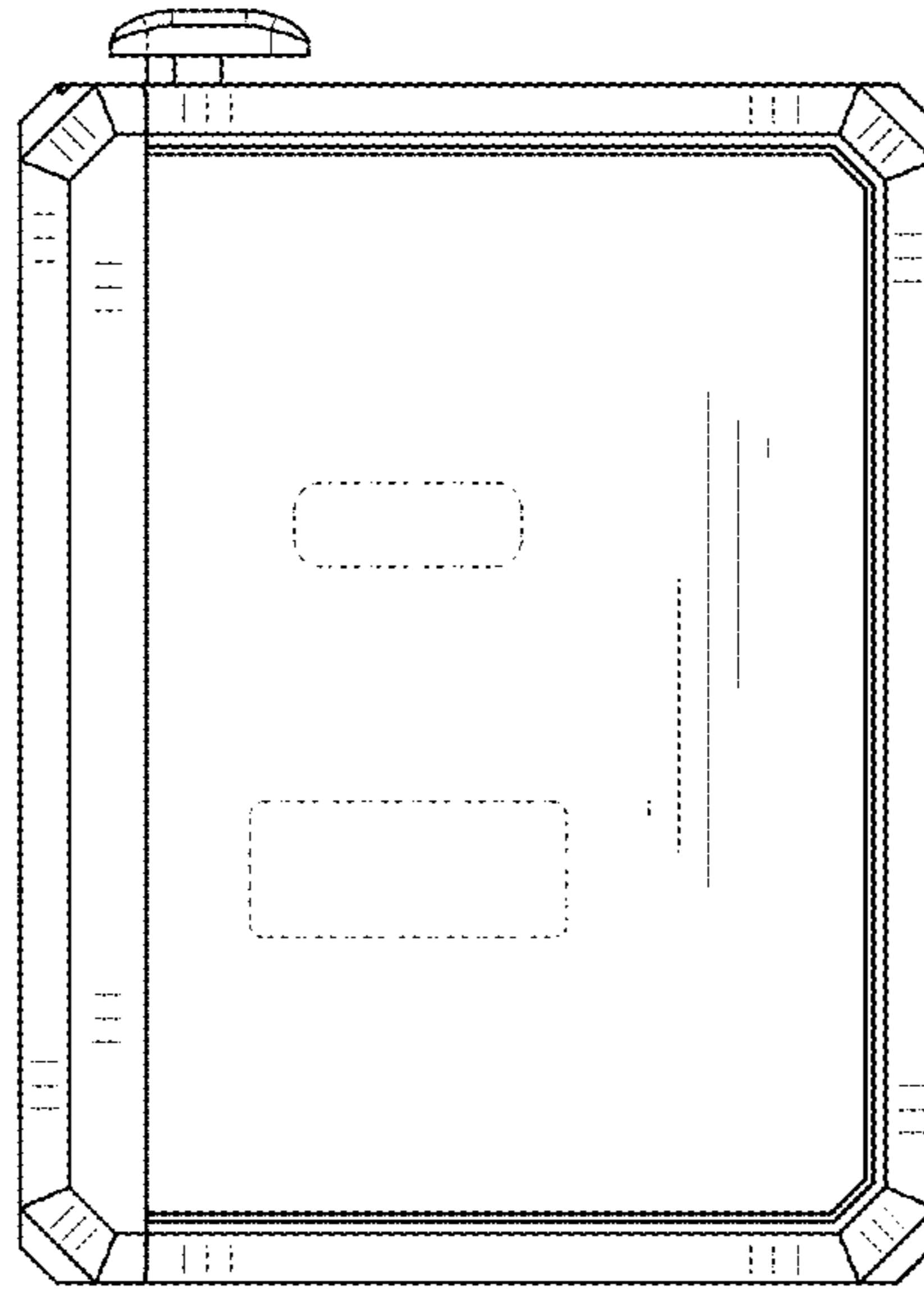


FIG. 5

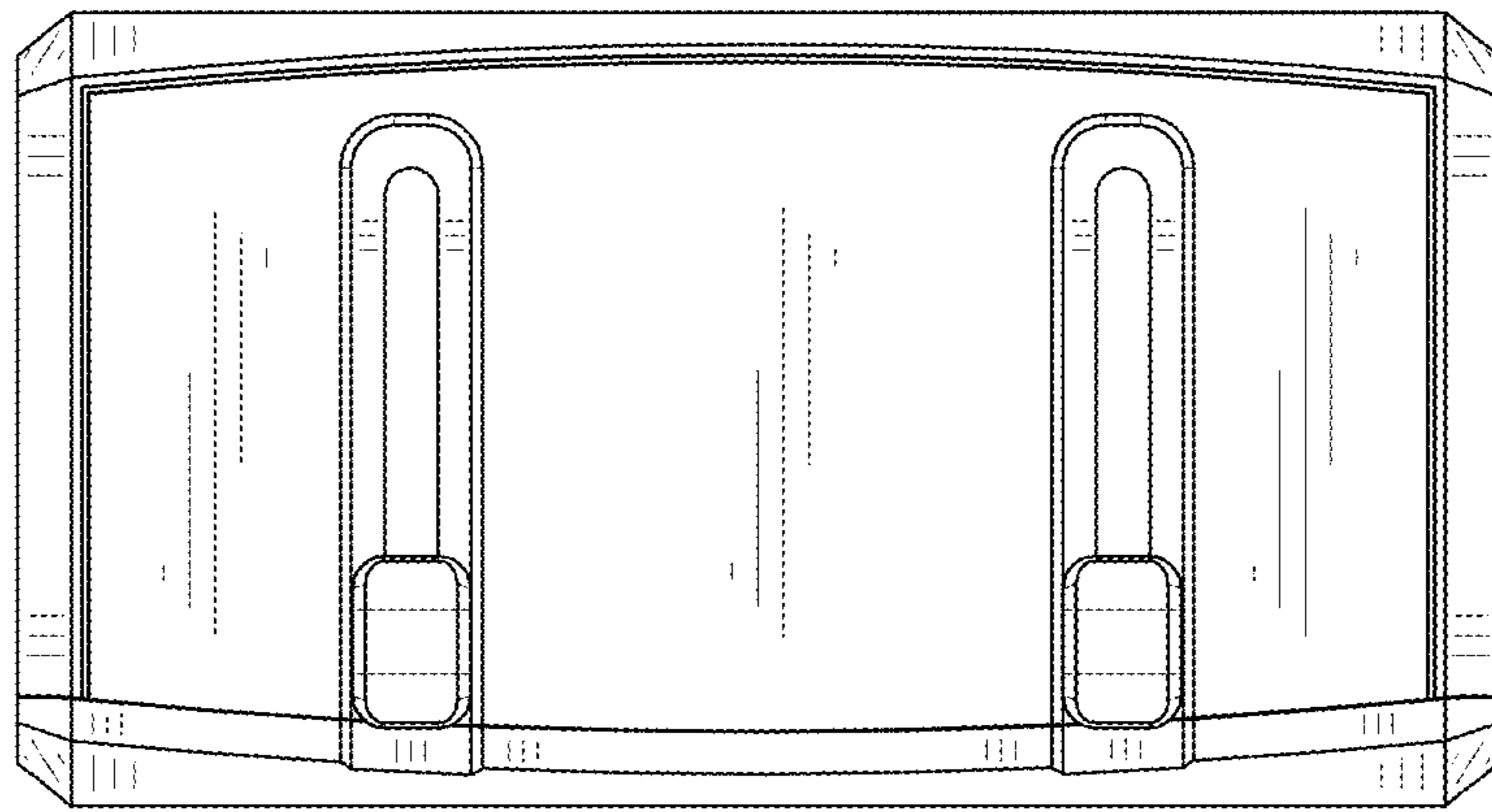


FIG. 6

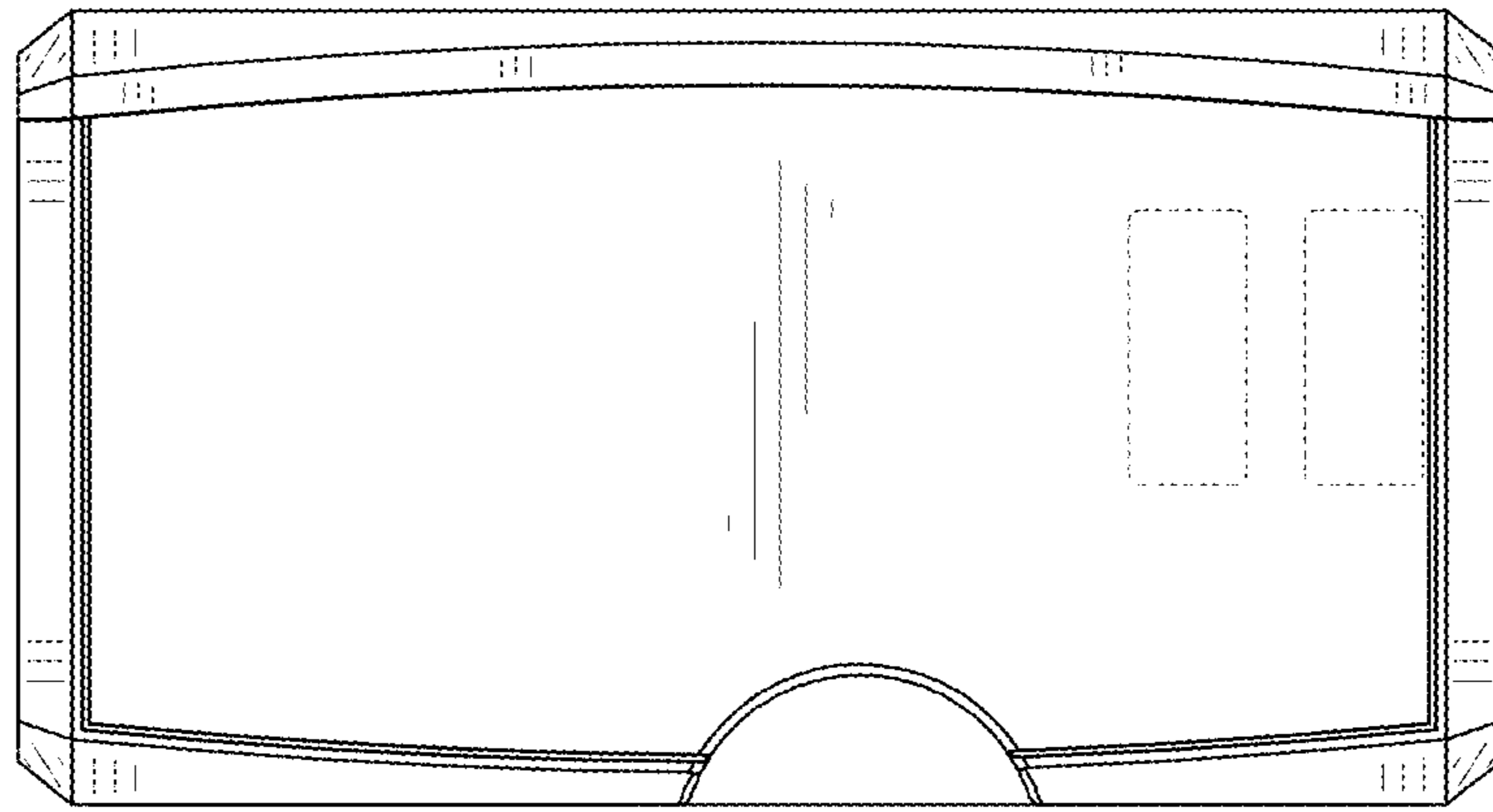


FIG. 7