



(12) **United States Design Patent** (10) **Patent No.:** **US D953,264 S**  
**Qi** (45) **Date of Patent:** **\*\* May 31, 2022**

(54) **WIRELESS CHARGER**

(71) Applicant: **Shenzhen Ruijing Industrial Co., Ltd,**  
 Shenzhen (CN)  
 (72) Inventor: **RuiBin Qi,** Shenzhen (CN)  
 (\*\*) Term: **15 Years**  
 (21) Appl. No.: **29/746,289**  
 (22) Filed: **Aug. 13, 2020**

(30) **Foreign Application Priority Data**

Aug. 7, 2020 (CN) ..... 202030446207.8

(51) **LOC (13) Cl.** ..... **13-02**

(52) **U.S. Cl.**  
 USPC ..... **D13/108; D14/447**

(58) **Field of Classification Search**  
 USPC ..... D13/103, 107, 108, 118, 119; D14/140,  
 D14/142, 149, 240, 251, 252, 253, 432,  
 D14/433, 434, 439, 447  
 CPC ..... H04M 1/06; H02J 7/342; H02J 7/0044;  
 H02J 7/0045

See application file for complete search history.

(56) **References Cited**

**U.S. PATENT DOCUMENTS**

D638,019 S *	5/2011	Weissaupt	.....	D14/434
D639,810 S *	6/2011	Hwang	.....	D14/434
D690,647 S *	10/2013	Huang	.....	D13/108
D693,826 S *	11/2013	Ashida	.....	D14/447
D754,118 S *	4/2016	Leung	.....	D14/253
9,677,704 B1 *	6/2017	Thelen	.....	F16M 11/22
D830,363 S *	10/2018	Helms	.....	D14/432
D898,590 S *	10/2020	Long	.....	D10/2
D900,736 S *	11/2020	Oyler	.....	D13/108
D924,131 S *	7/2021	Kuo	.....	D13/108
2020/0089085 A1 *	3/2020	Solomon	.....	G03B 17/565
2020/0374380 A1 *	11/2020	Wang	.....	H04M 1/04
2021/0059403 A1 *	3/2021	Zavala	.....	A47B 23/06

**OTHER PUBLICATIONS**

“Angreat Wireless Charging Dock”. Found online Sep. 8, 2021 at amazon.com. Reference dated Jun. 13, 2020. Retrieved from <https://www.amazon.com/Made-Amazon-Wireless-Charging-compatible/dp/B085RVS6FV>. (Year: 2020).\*

“Amazon Wireless Charging Dock”. Found online Sep. 8, 2021 at pocket-lint.com. Reference dated Jun. 16, 2020. Retrieved from <https://www.pocket-lint.com/tablets/news/amazon/152558-amazon-wireless-charging-dock-angreat-fire-hd-8-review>. (Year: 2020).\*

“Dock for Amazon Fire HD 8 & HD 10 Tablets”. Found online Oct. 20, 2021 at aftvnews.com. Reference dated Jul. 13, 2018. Retrieved from <https://www.aftvnews.com/review-of-the-show-mode-dock-for-amazon-fire-hd-8-hd-10-tablets/>. (Year: 2018).\*

\* cited by examiner

*Primary Examiner* — Kendra Leslie Hamilton  
*Assistant Examiner* — Amanda Christensen

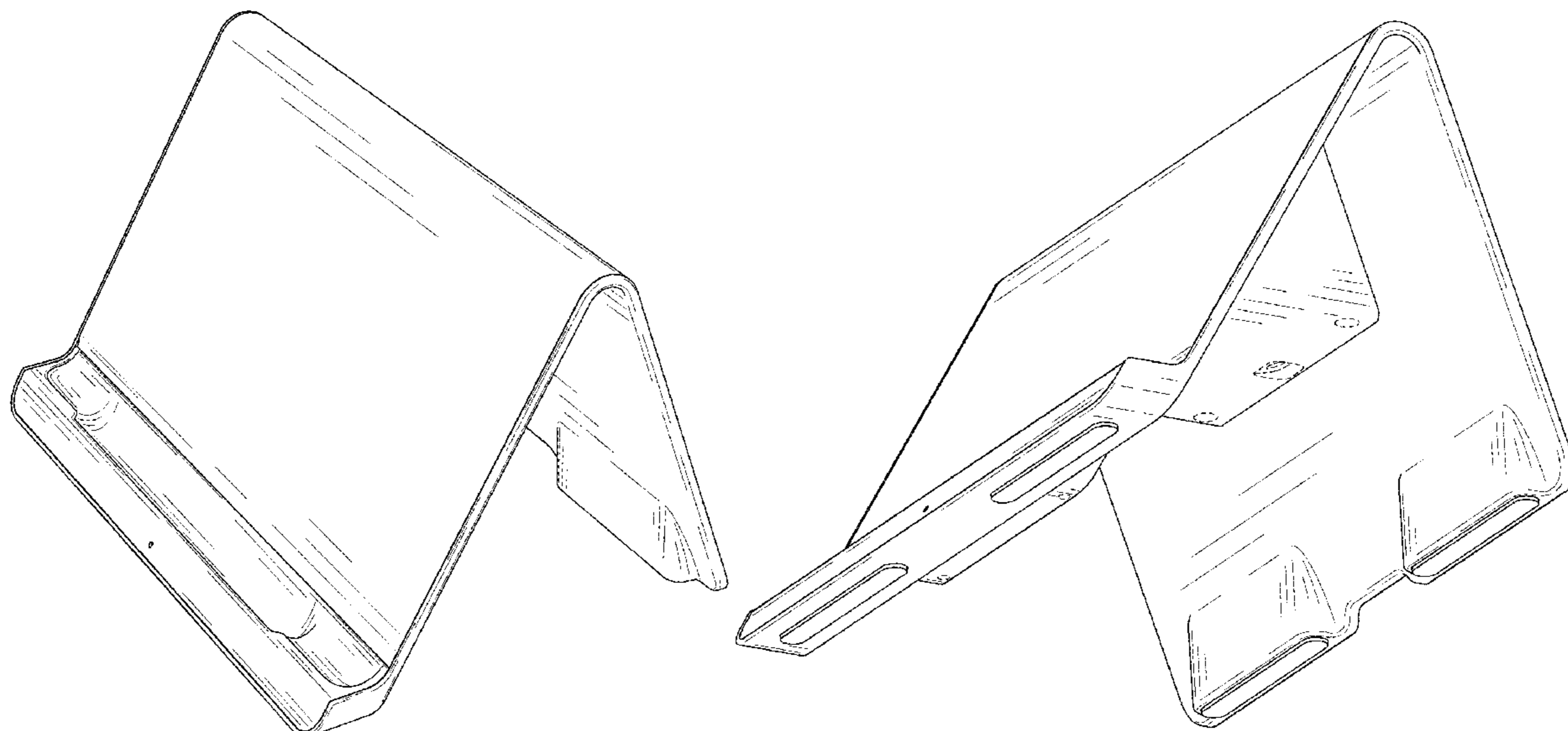
(57) **CLAIM**

The ornamental design for a wireless charger, as shown and described.

**DESCRIPTION**

FIG. 1 is a top, front, right side perspective view of a wireless charger, showing my new design;  
 FIG. 2 is a top, back, left side perspective view thereof;  
 FIG. 3 is a bottom, front, right side perspective view thereof;  
 FIG. 4 is a bottom, back, right side perspective view thereof;  
 FIG. 5 is a front view thereof;  
 FIG. 6 is a back view thereof;  
 FIG. 7 is a left side view thereof;  
 FIG. 8 is a right side view thereof;  
 FIG. 9 is a top view thereof; and,  
 FIG. 10 is a bottom view thereof.  
 The broken lines in the drawings depict portions of the wireless charger that form no part of the claimed design.

**1 Claim, 7 Drawing Sheets**



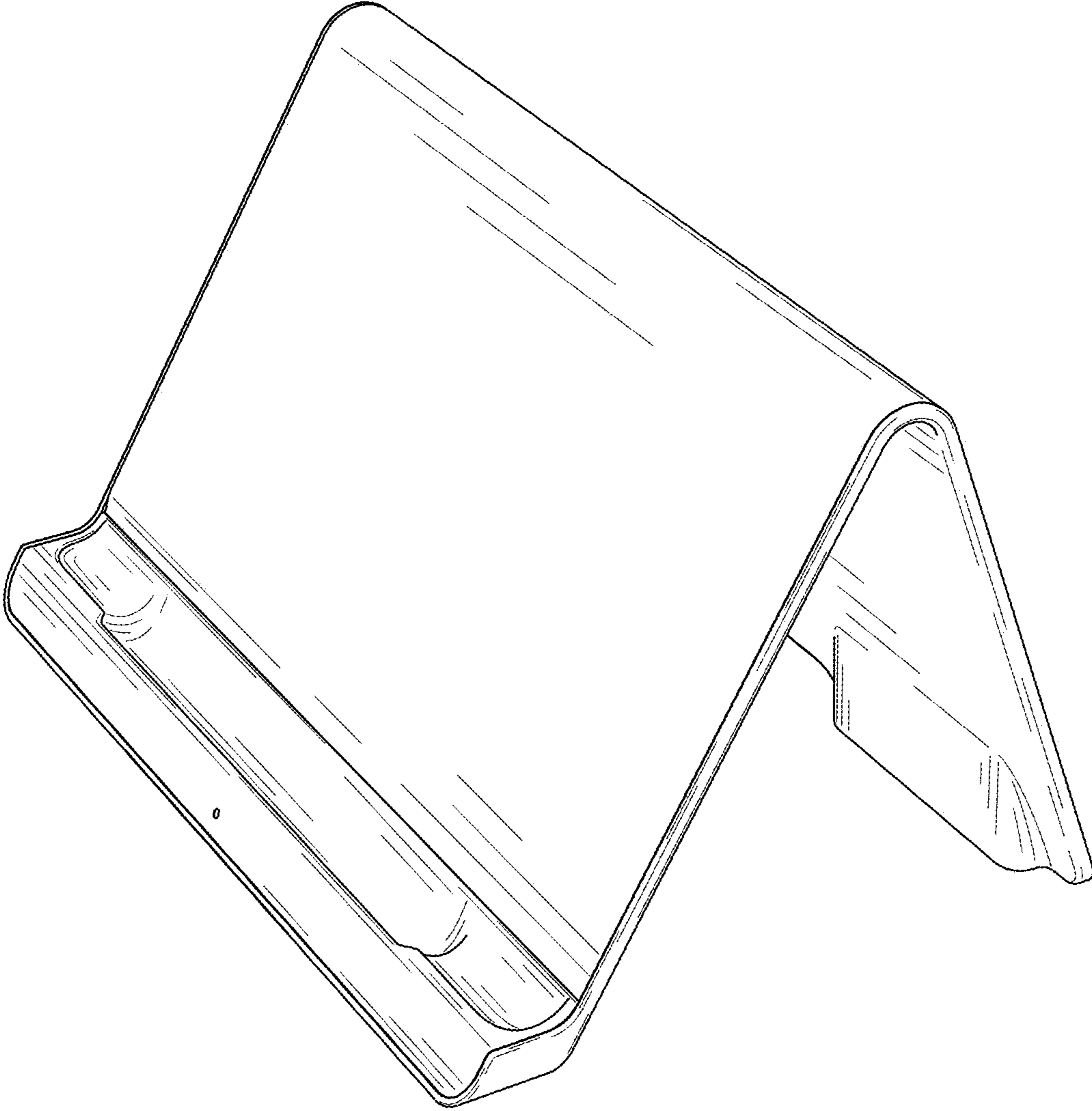


FIG. 1

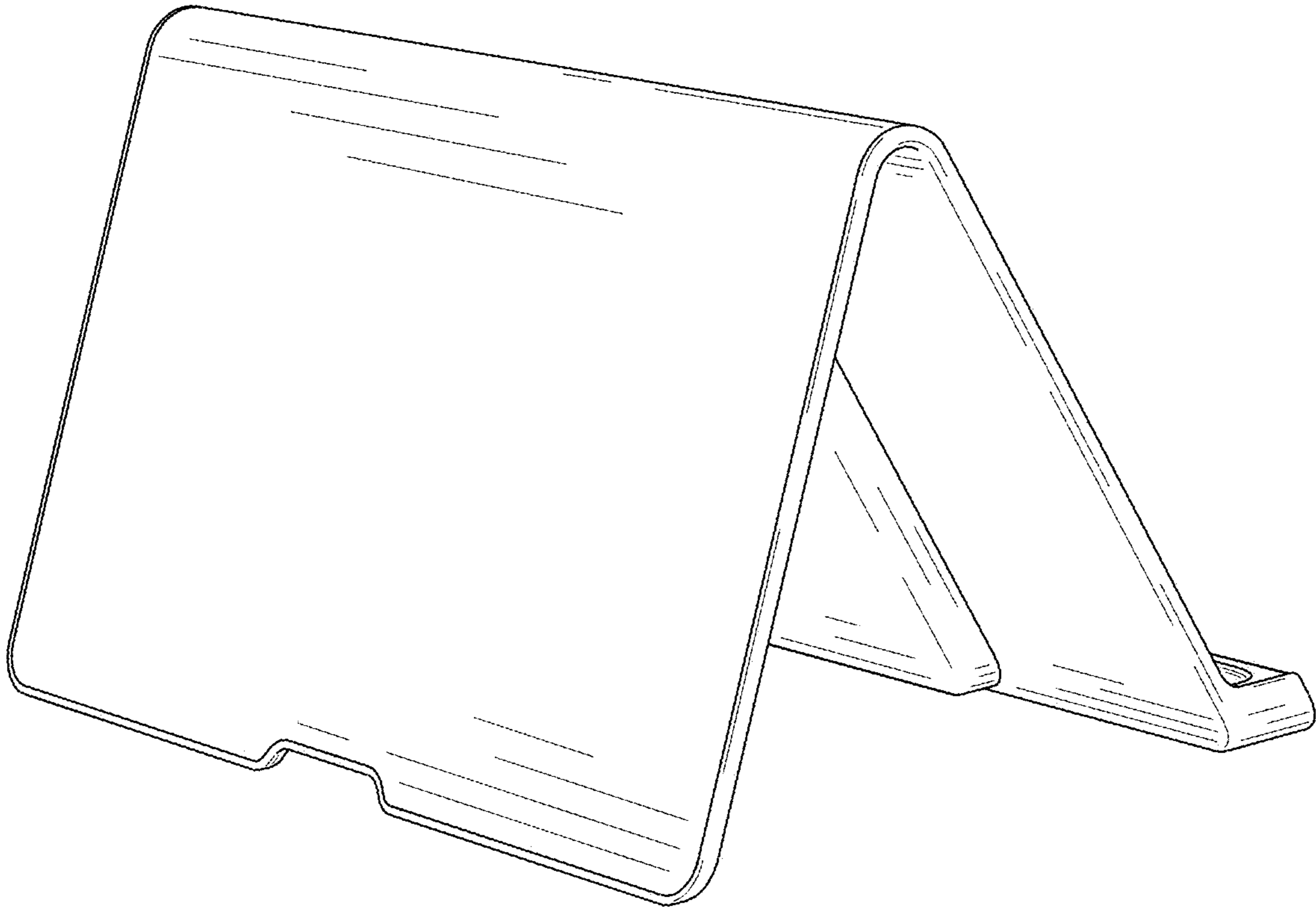


FIG. 2

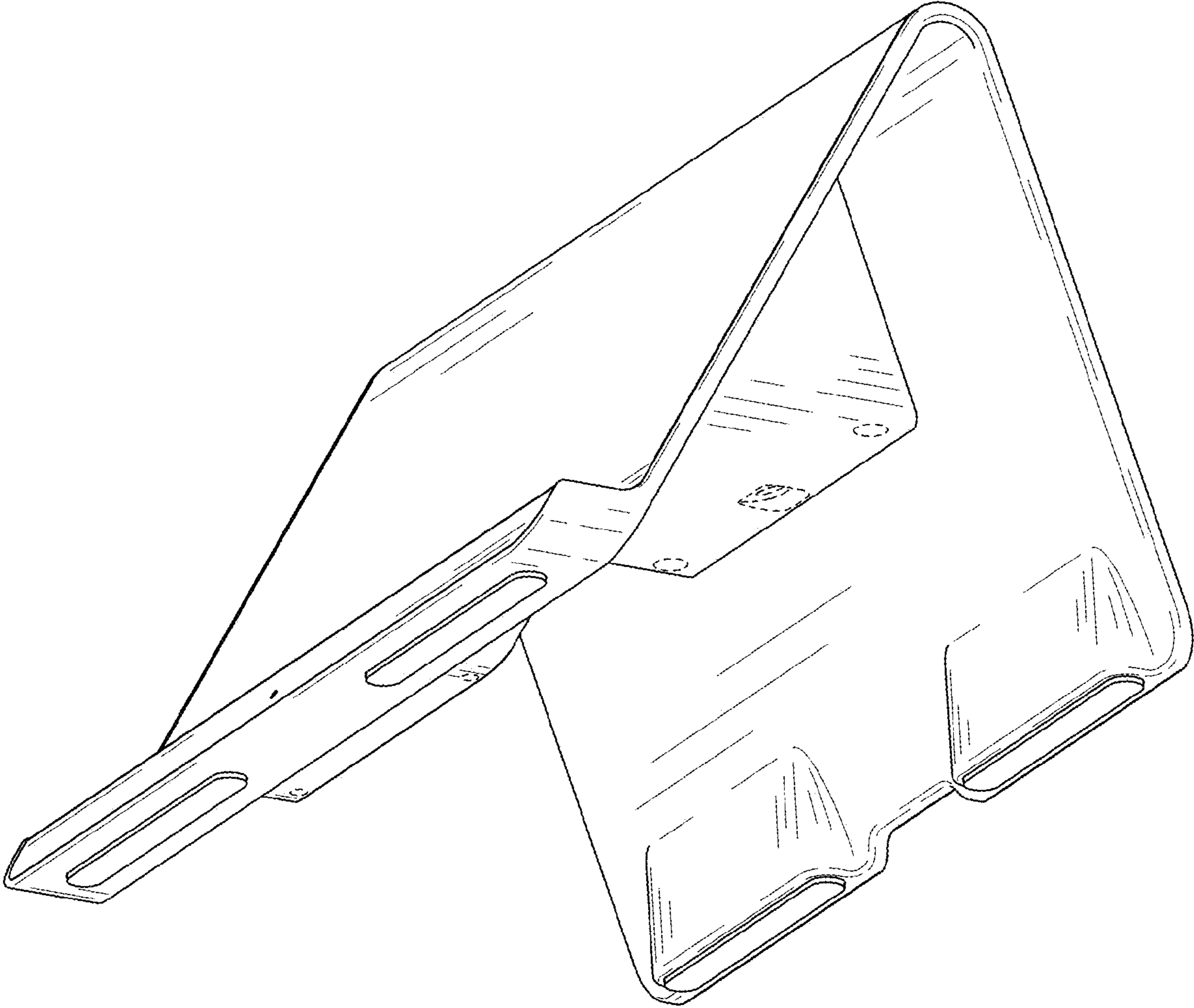


FIG. 3

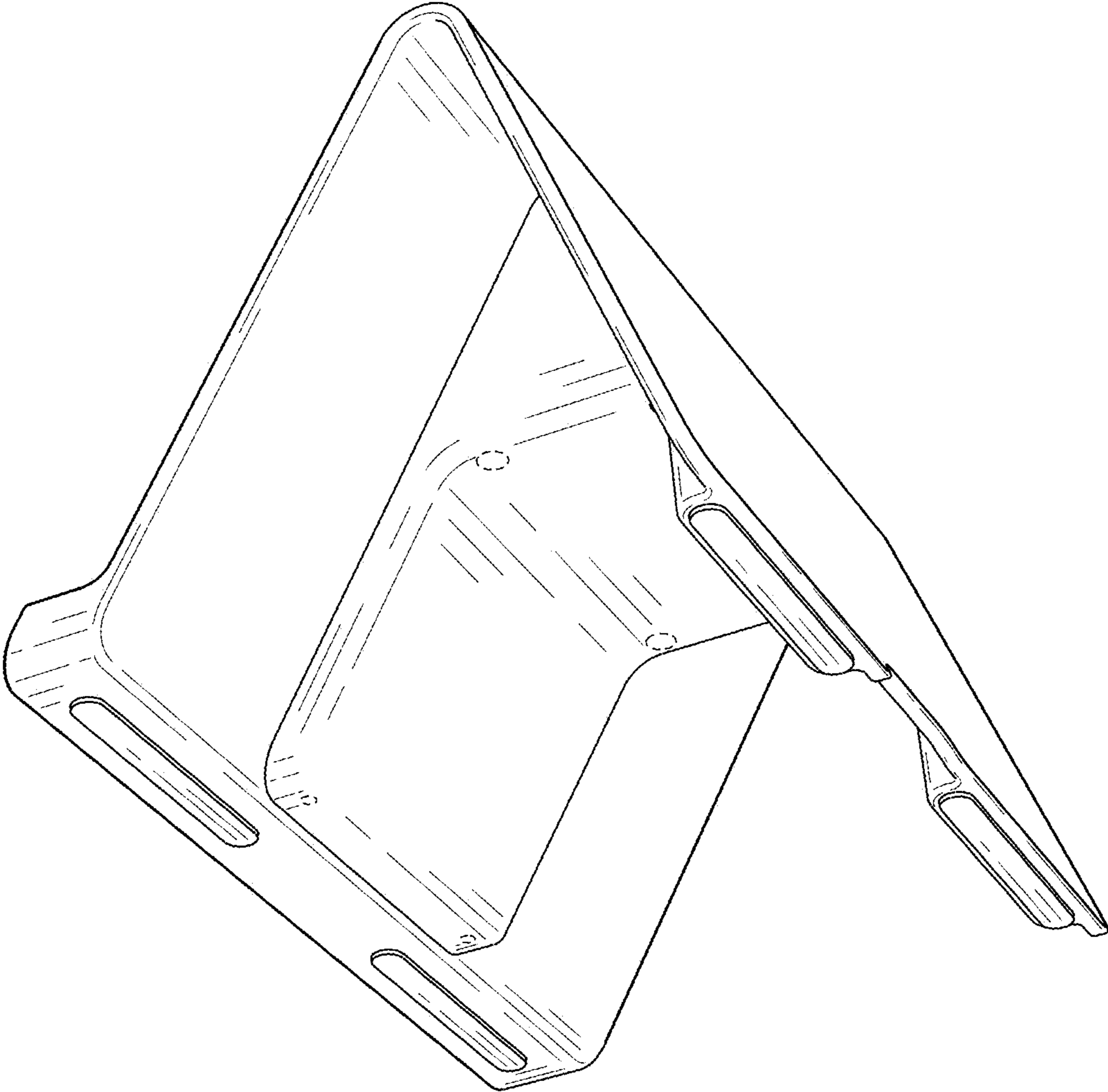


FIG. 4

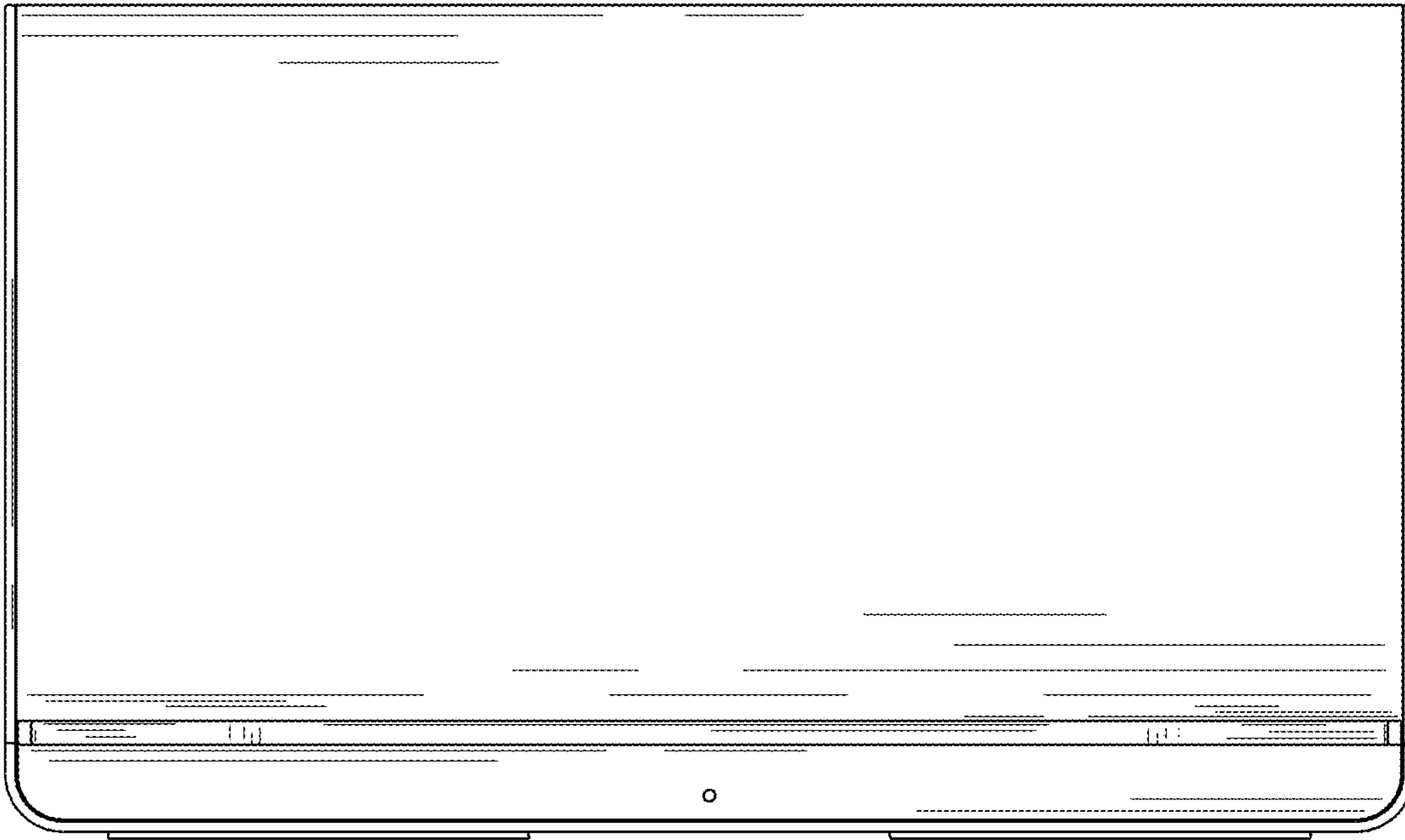


FIG. 5

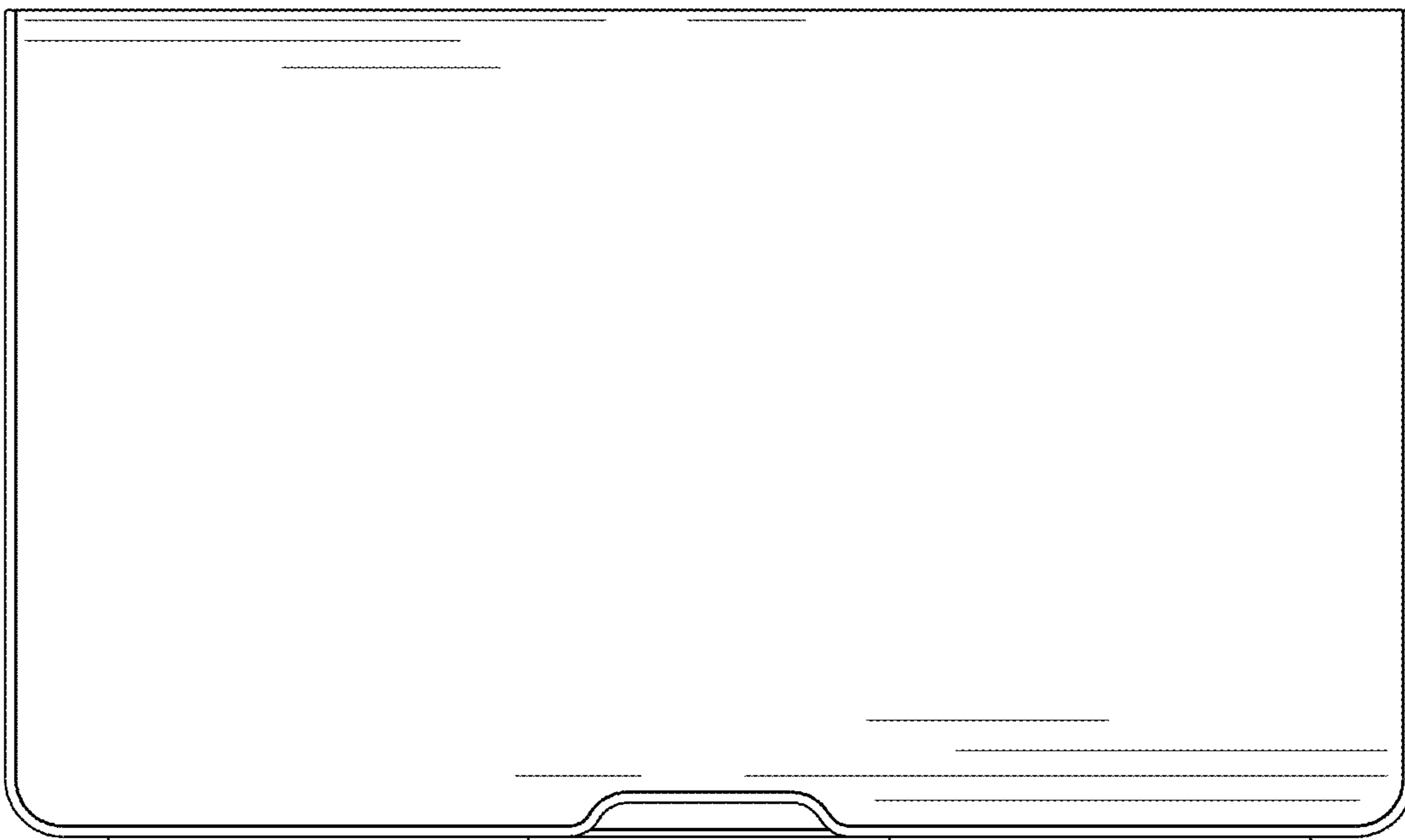


FIG. 6

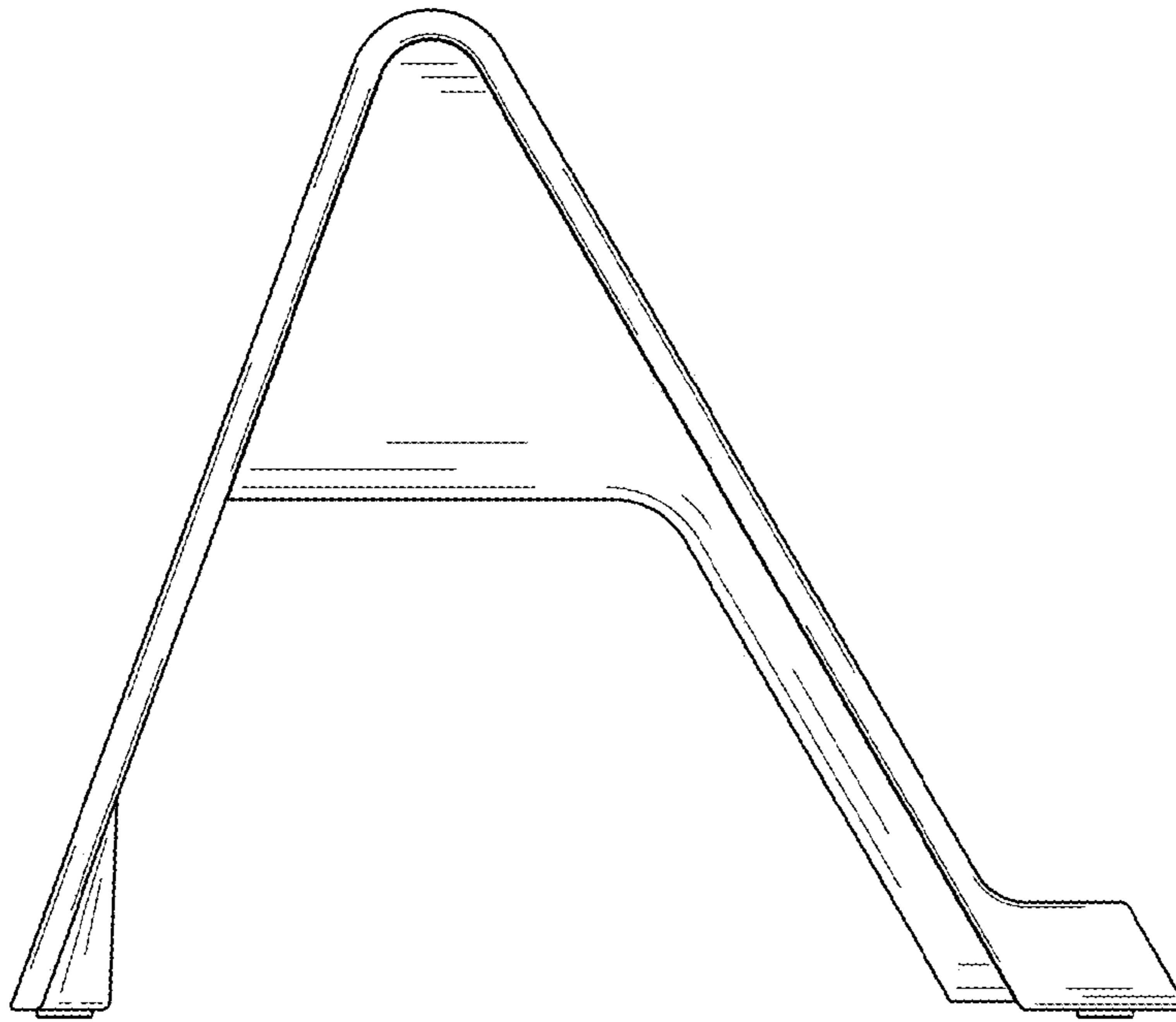


FIG. 7

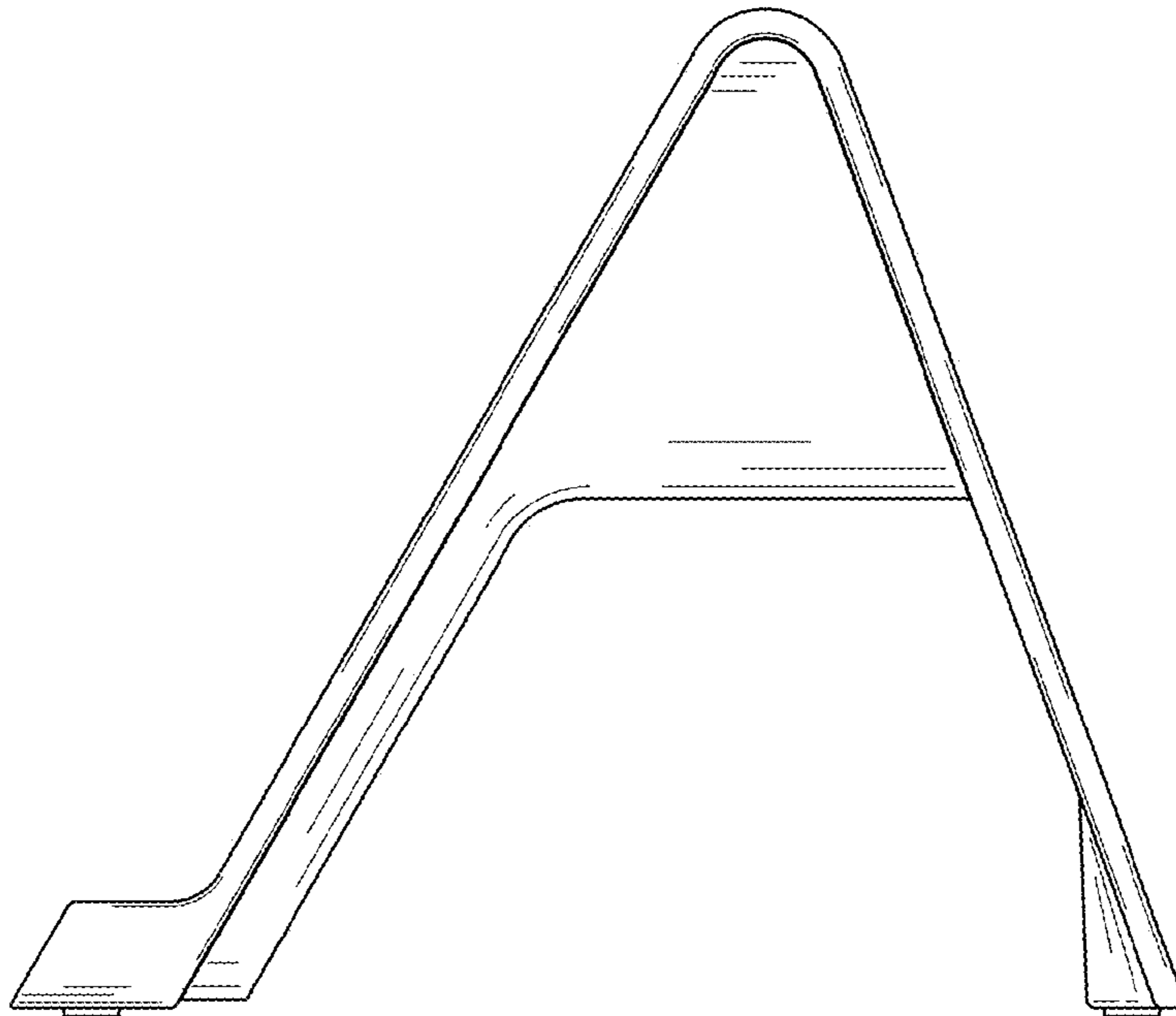


FIG. 8

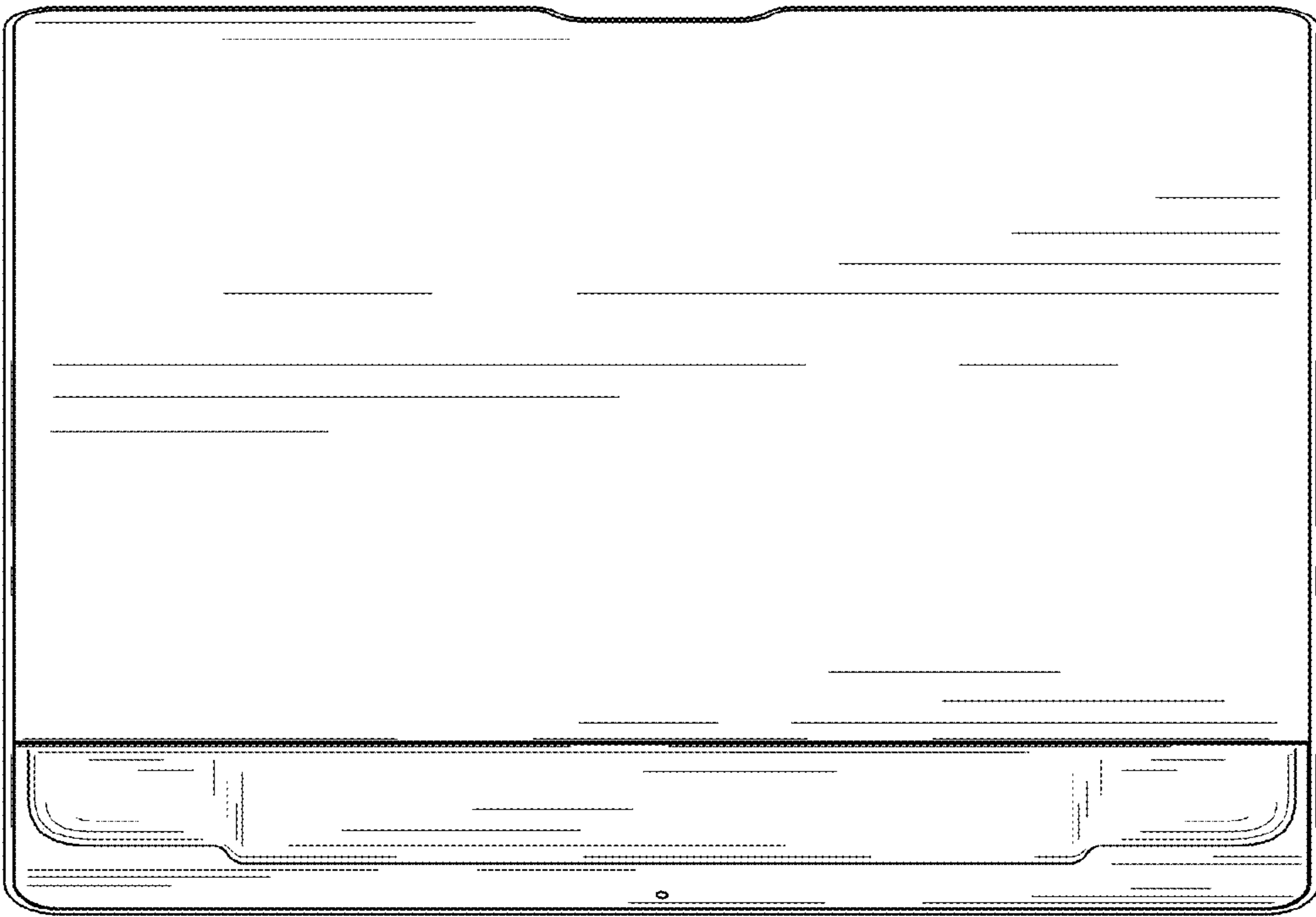


FIG. 9

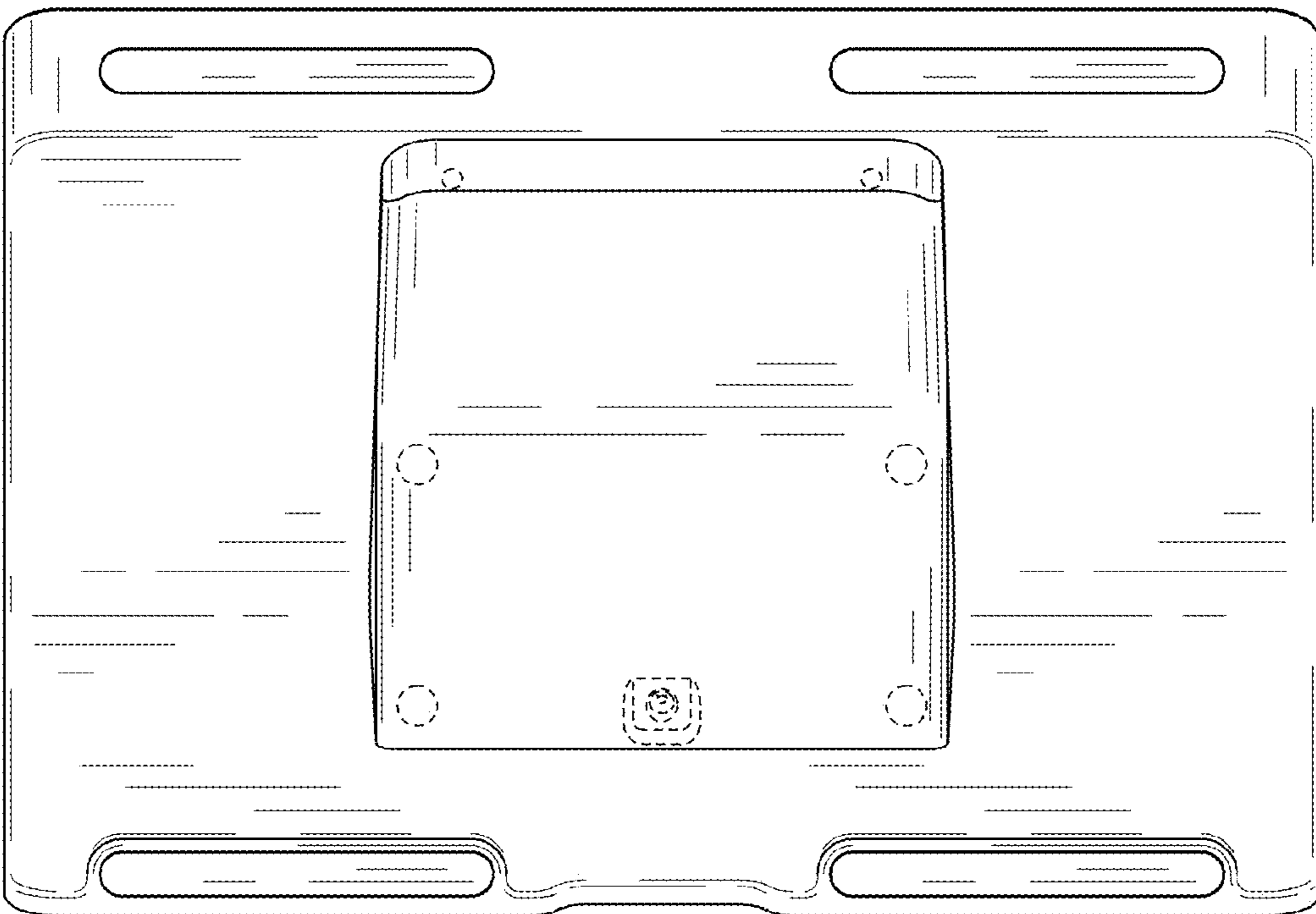


FIG. 10