



US00D953258S

(12) **United States Design Patent**  
**Ye et al.**

(10) **Patent No.:** **US D953,258 S**

(45) **Date of Patent:** **\*\* May 31, 2022**

- (54) **EMERGENCY POWER SUPPLY**
- (71) Applicant: **Aukey Technology Co., Ltd**, Shenzhen (CN)
- (72) Inventors: **Shisuo Ye**, Shenzhen (CN); **Bo Du**, Shenzhen (CN)
- (73) Assignee: **Aukey Technology Co., Ltd**, Shenzhen (CN)

D803,151 S	*	11/2017	Zhou	.....	D13/107
D851,586 S	*	6/2019	Liu	.....	D13/103
D856,956 S	*	8/2019	Liu	.....	D14/250
D861,597 S	*	10/2019	Gan	.....	D13/103
D872,011 S	*	1/2020	Rao	.....	D13/107
D885,330 S	*	5/2020	Gan	.....	D13/103
D902,851 S	*	11/2020	Wu	.....	D13/107
D926,123 S	*	7/2021	Zhu	.....	D13/107
D930,578 S	*	9/2021	Zheng	.....	D13/110
D937,763 S	*	12/2021	Wang	.....	D13/107
D944,725 S	*	3/2022	Zeng	.....	D13/103

(\*\*) Term: **15 Years**

(21) Appl. No.: **29/760,519**

(22) Filed: **Dec. 2, 2020**

(51) **LOC (13) Cl.** ..... **13-02**

(52) **U.S. Cl.**  
USPC ..... **D13/107; D13/103**

(58) **Field of Classification Search**  
USPC ..... D13/107-110, 118-119, 184; D14/251, D14/253, 432, 434  
CPC ..... Y02T 90/14; H02J 7/025; H02J 7/0042; H02J 7/0044; H02J 7/0045; H02J 7/0003; H01F 38/14; H01R 13/6675; H01M 10/44; H01M 10/46; H01M 10/425  
See application file for complete search history.

(56) **References Cited**

**U.S. PATENT DOCUMENTS**

D742,822 S	*	11/2015	Ju	.....	D13/103
D786,192 S	*	5/2017	Liu	.....	D13/107

\* cited by examiner

*Primary Examiner* — Nathaniel D. Buckner

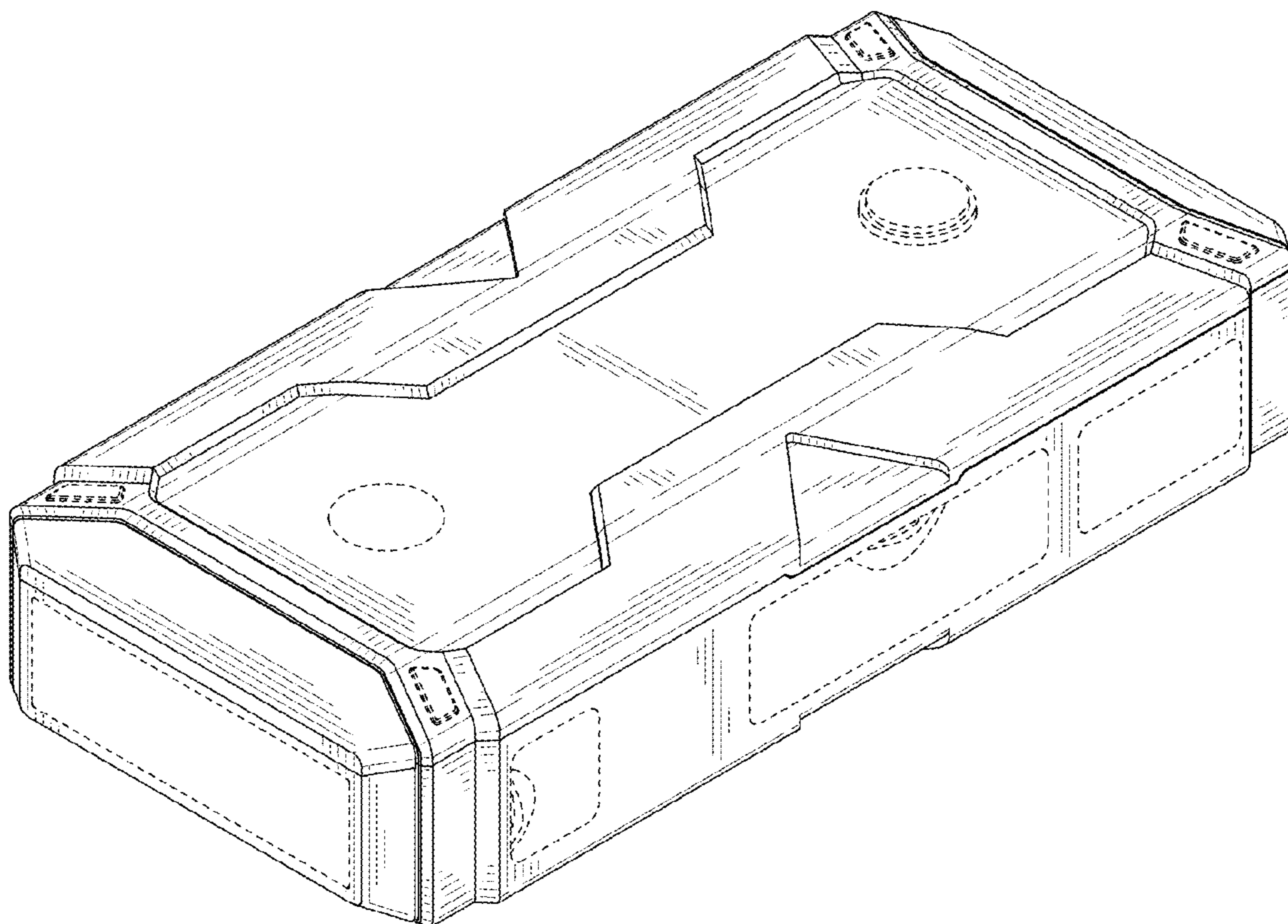
(57) **CLAIM**

The ornamental design for an emergency power supply, as shown and described.

**DESCRIPTION**

FIG. 1 is a perspective view of an emergency power supply showing our new design;  
 FIG. 2 is a perspective view viewed from another angle thereof;  
 FIG. 3 is a front elevation view thereof;  
 FIG. 4 is a rear elevation view thereof;  
 FIG. 5 is a left side elevation view thereof;  
 FIG. 6 is a right side elevation view thereof;  
 FIG. 7 is a top plan view thereof; and,  
 FIG. 8 is a bottom plan view thereof.  
 The broken lines depict portions of the emergency power supply that form no part of the claimed design.

**1 Claim, 8 Drawing Sheets**



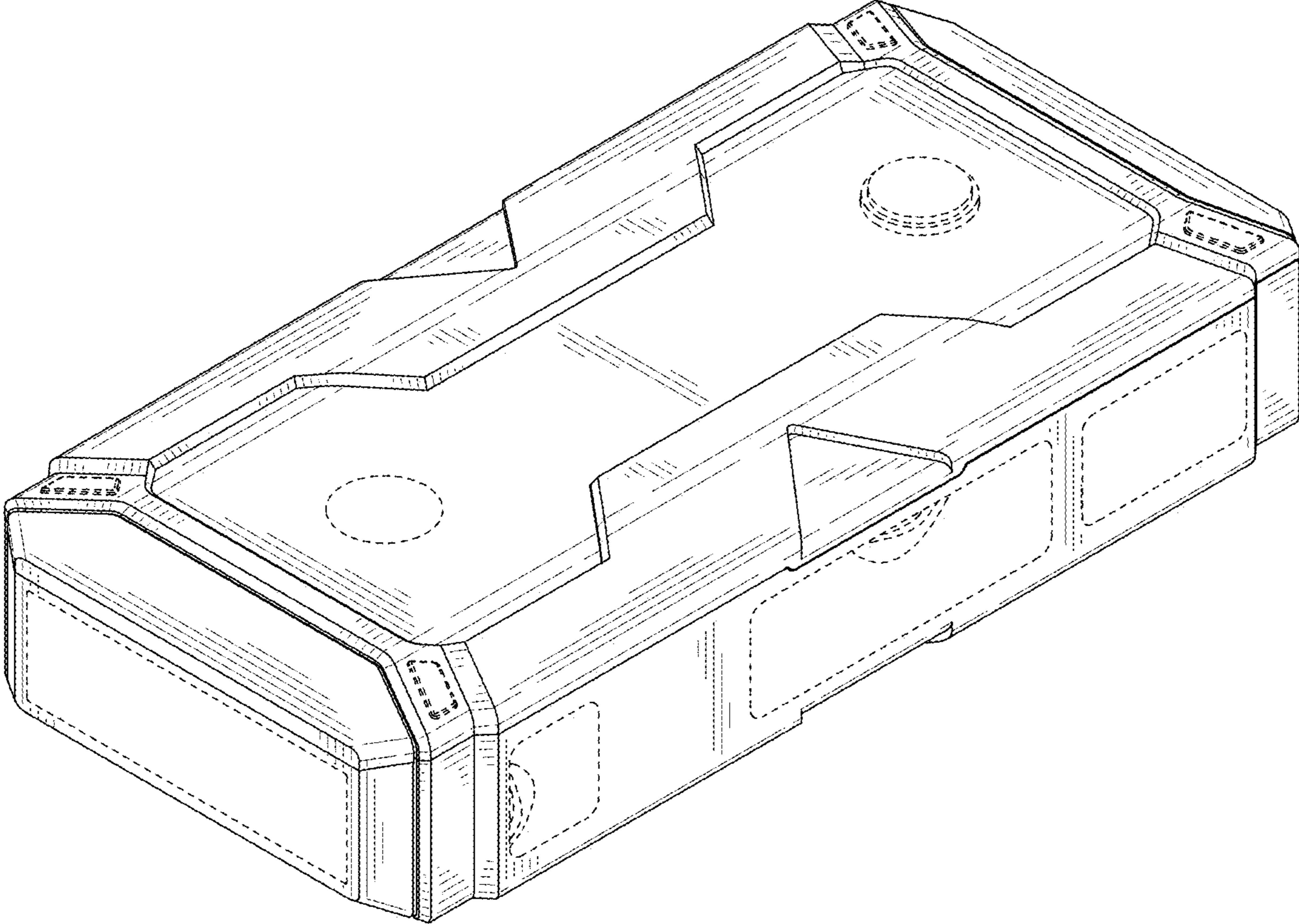


FIG. 1

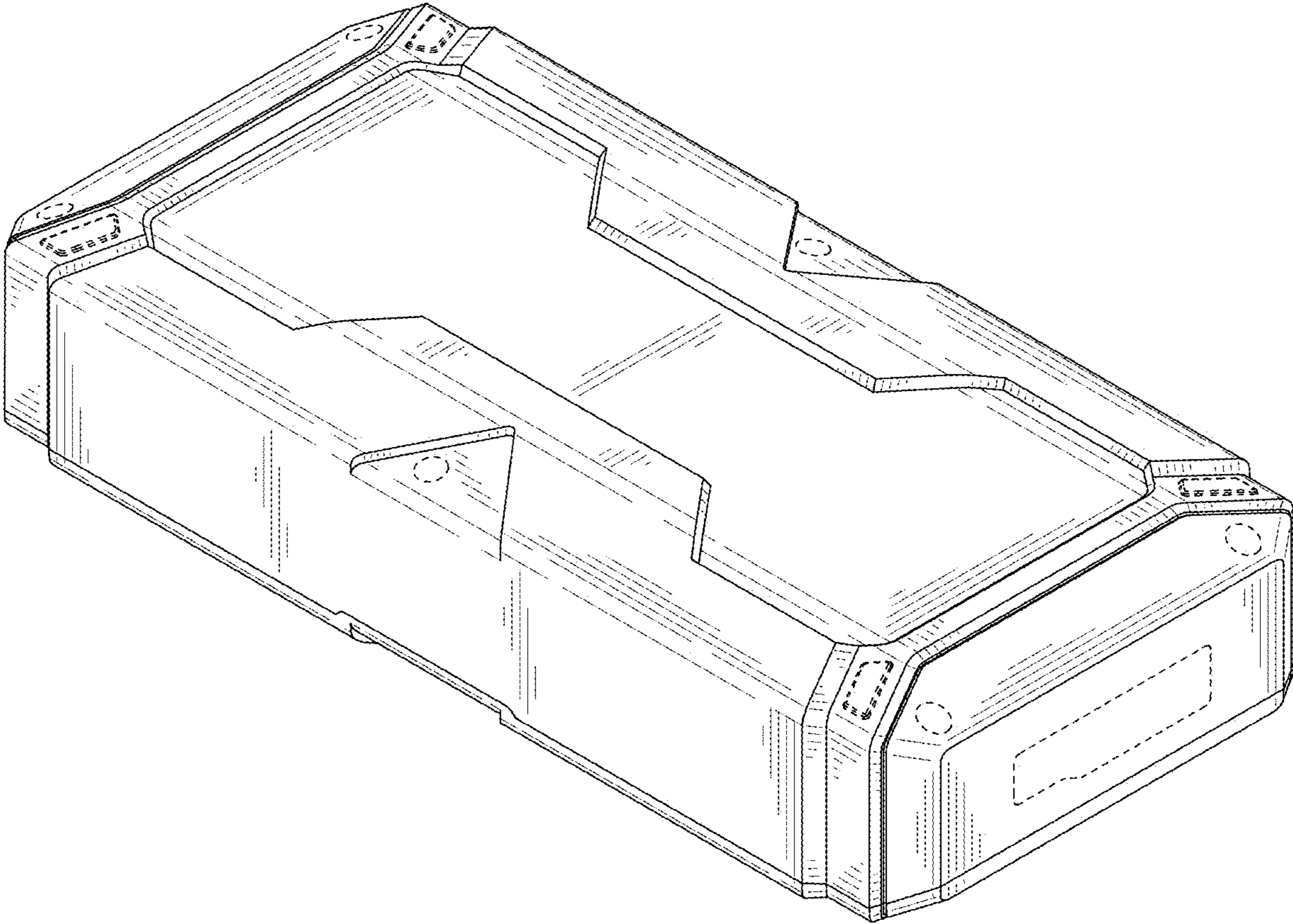


FIG. 2



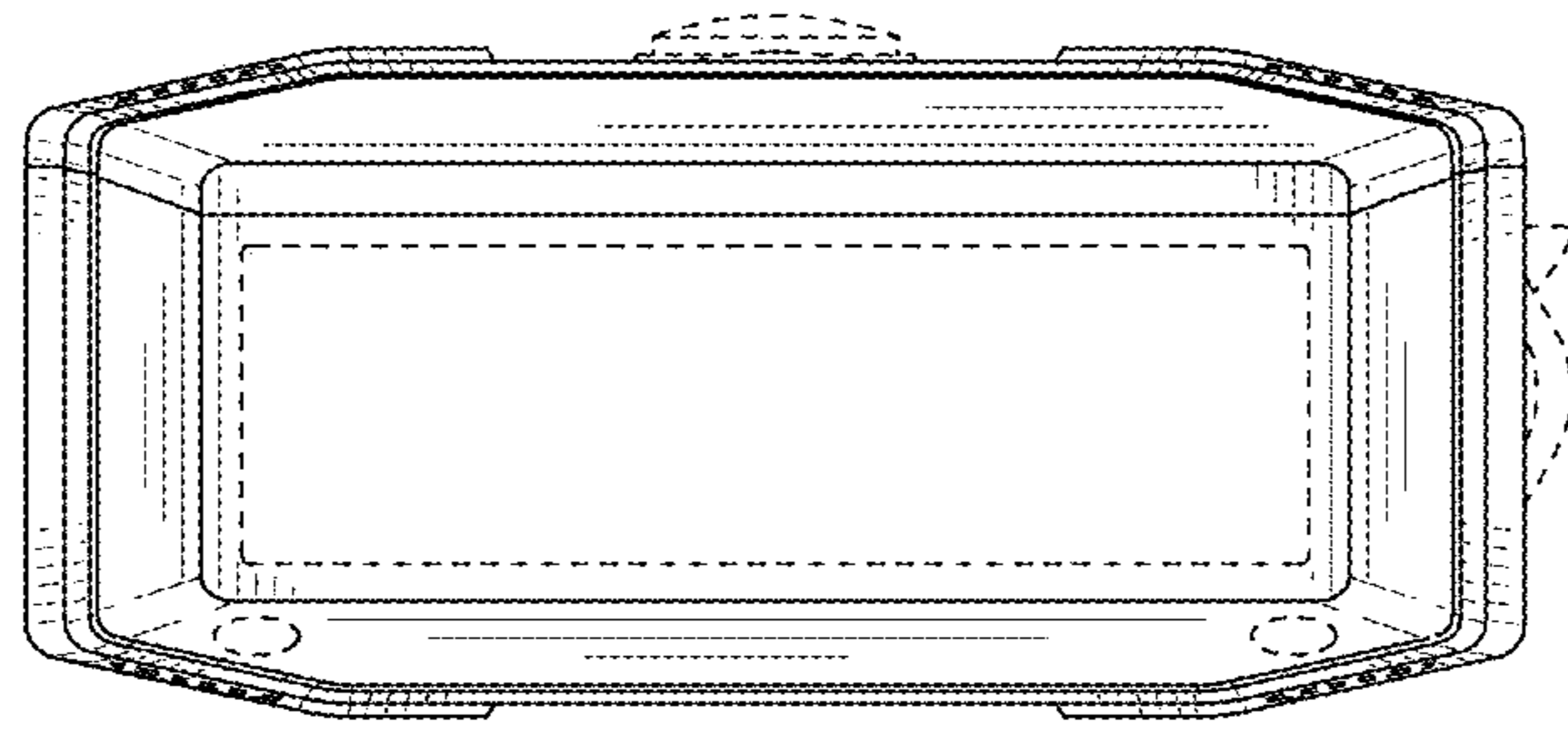


FIG. 3

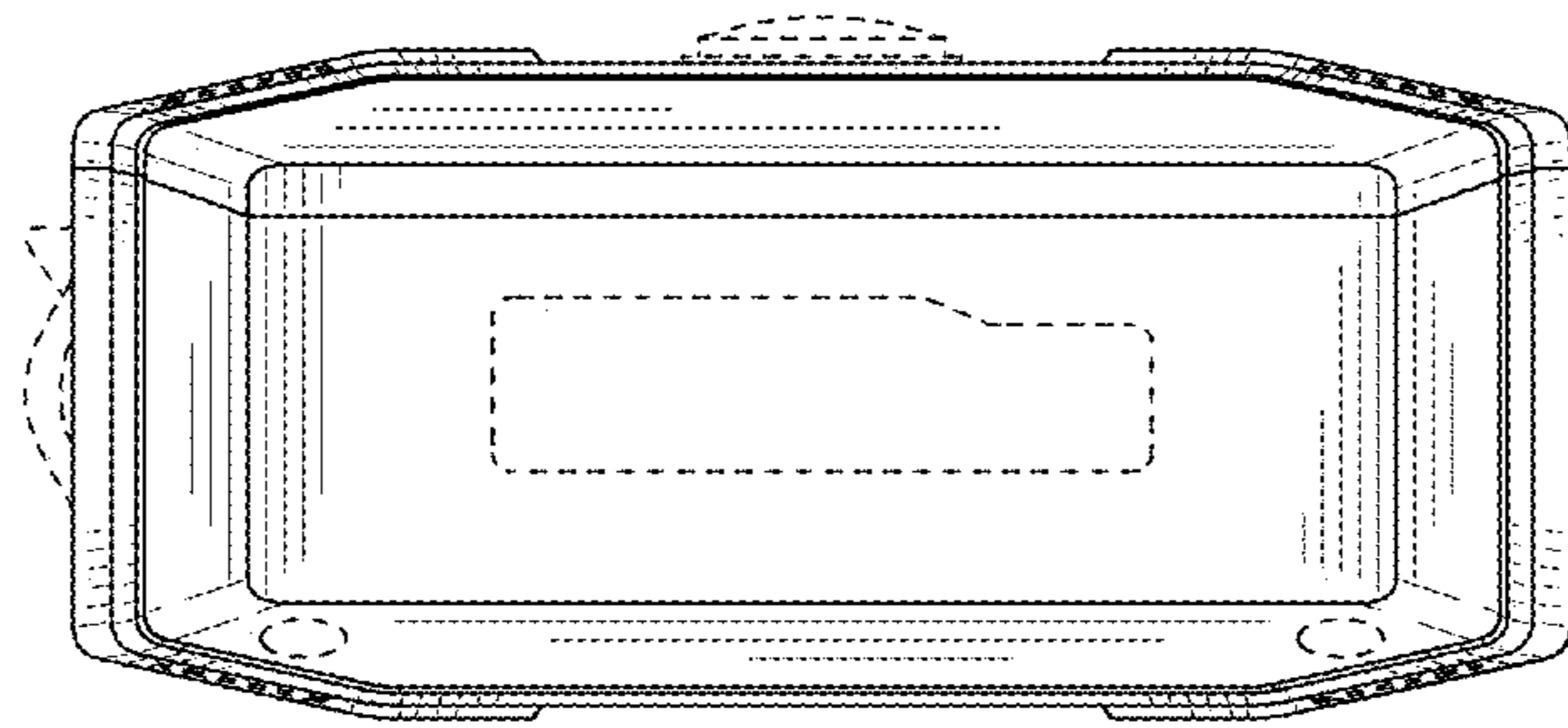


FIG. 4

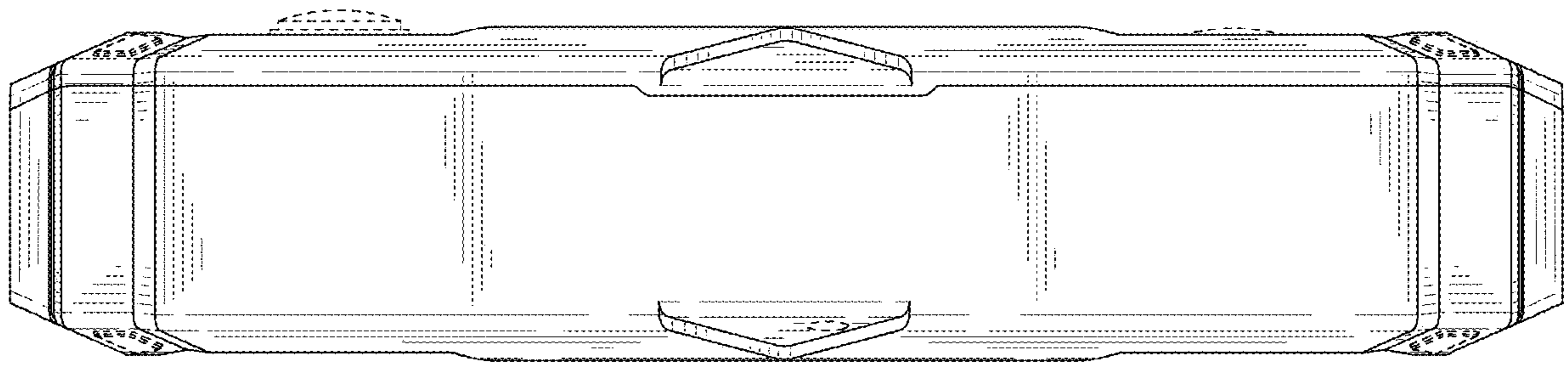


FIG. 5

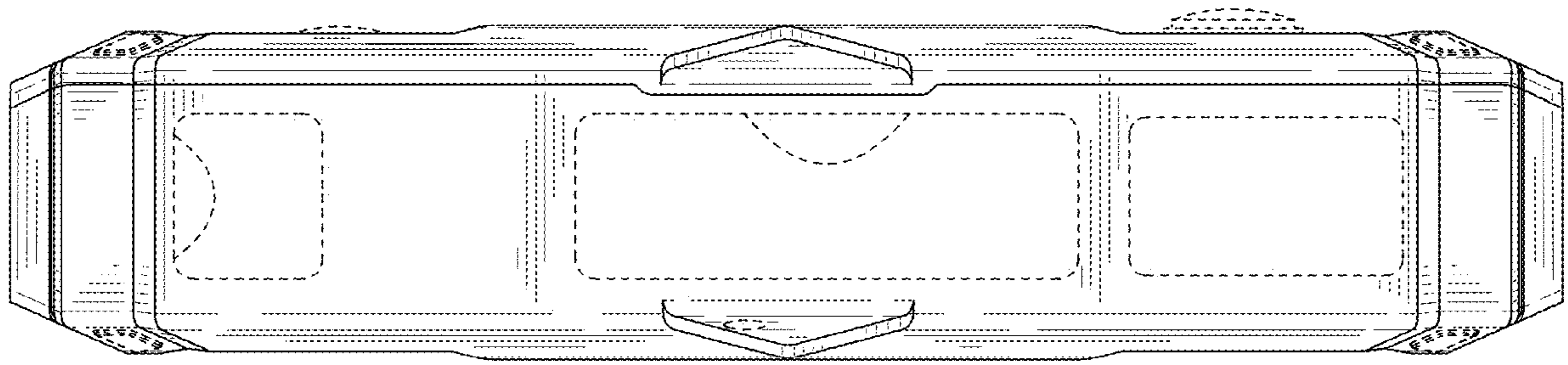


FIG. 6

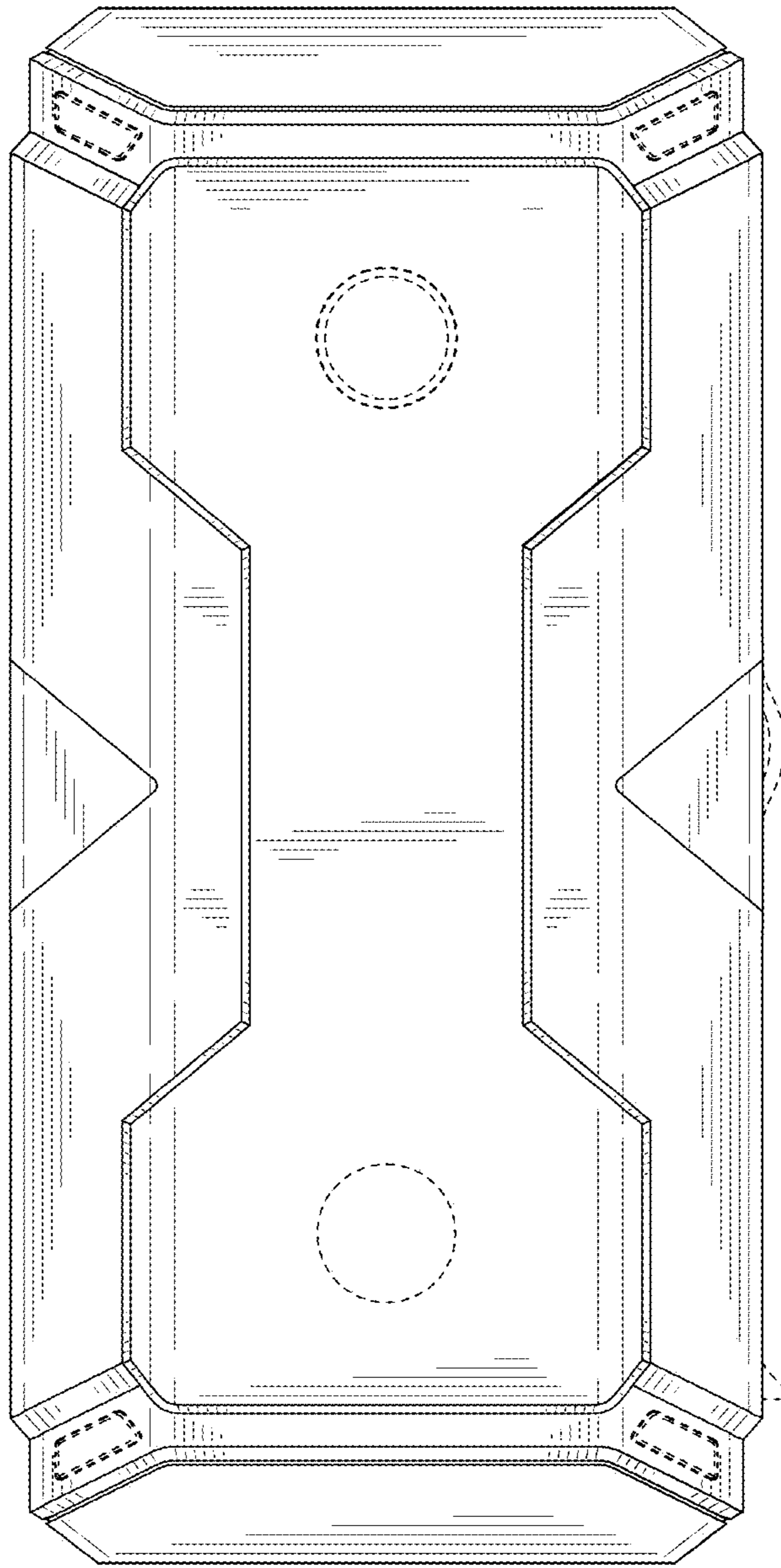


FIG. 7



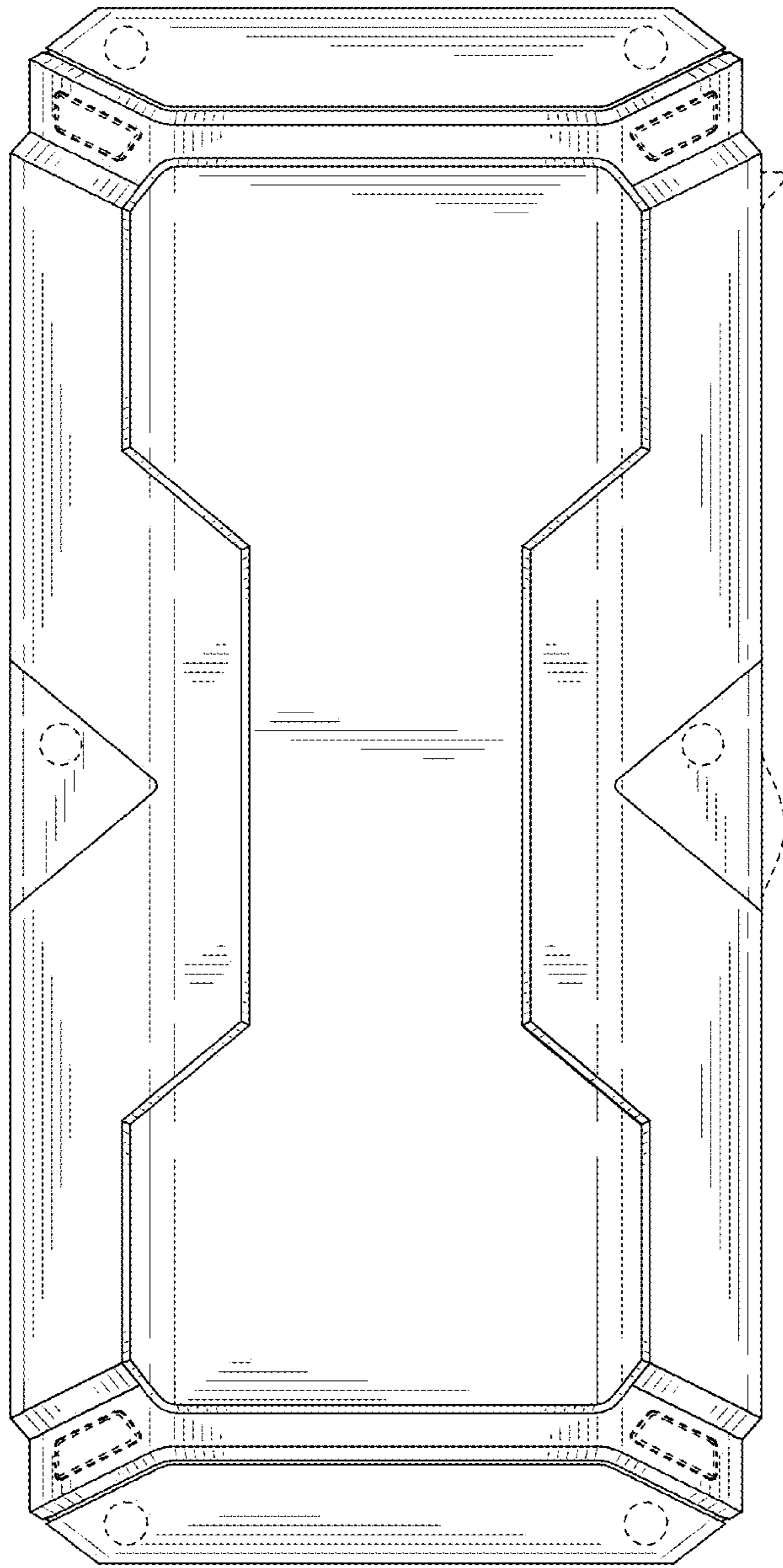


FIG. 8