



US00D953257S

(12) **United States Design Patent**
Feng

(10) **Patent No.:** **US D953,257 S**

(45) **Date of Patent:** **** May 31, 2022**

(54) **COMBINED UVC STERILIZER AND USB CHARGER**

(71) Applicant: **Shenzhen Great Power Innovation and Technology Enterprise Co., Ltd.**, Shenzhen (CN)

(72) Inventor: **Winston Feng**, Shenzhen (CN)

(73) Assignee: **Shenzhen Great Power Innovation and Technology Enterprise Co., Ltd**

(**) Term: **15 Years**

(21) Appl. No.: **29/756,138**

(22) Filed: **Oct. 26, 2020**

(51) **LOC (13) Cl.** **13-02**

(52) **U.S. Cl.**
USPC **D13/107; D24/217**

(58) **Field of Classification Search**
USPC D13/102-110, 118, 119, 153, 154, 184, D13/199; D26/51; D24/217
CPC Y02E 60/10; Y02E 60/12; Y02E 60/122; Y02E 60/124; Y02E 60/50; H01M 2/02; H01M 2/022; H01M 2/0202; H01M 2/0207; H01M 2/0212; H01M 2/1061; H01M 2/1022; H01M 2/1055; H01M 2/1066; H01M 2/105; H01M 2/20; H01M 2/202; H01M 2/204; H01M 2/206; H01M 2200/30; H01M 2250/30; H01M 2250/40; H01M 10/44; H01M 10/46; H01M 10/465; H01M 10/482; H01M 10/4257; H01M 10/0436; H01M 10/48; H02J 7/0034; H02J 7/0054; H02J 7/1423; H02J 7/00; H02J 7/0003; H02J 7/0011; H02J 7/0013; H02J 7/0055; H02J 7/0057; Y02T 10/7005; Y02T 10/705; Y02T 10/7088; A61L 2/26; A61L 2/10

See application file for complete search history.

(56) **References Cited**

U.S. PATENT DOCUMENTS

D806,023 S *	12/2017	Xu	D13/108
D850,030 S *	5/2019	Tian	D32/1
D854,705 S *	7/2019	Ouyang	D24/217
D875,677 S *	2/2020	Shi	D13/103
D883,923 S *	5/2020	Keferstein	D13/108
D885,603 S *	5/2020	Zhang	D24/217
D889,405 S *	7/2020	McCool	D13/110
D892,045 S *	8/2020	Zhang	D26/51
D893,740 S *	8/2020	Lv	D24/217
D896,816 S *	9/2020	Qiu	D14/434
D897,953 S *	10/2020	Chen	D13/108
D902,855 S *	11/2020	Liu	D13/108
D909,291 S *	2/2021	Lucas	D13/103
D911,266 S *	2/2021	Kim	D13/103
D911,949 S *	3/2021	Sun	D13/103
D914,233 S *	3/2021	Yi	D24/217
D914,234 S *	3/2021	Yi	D24/217
D915,276 S *	4/2021	Peng	D13/108
D917,389 S *	4/2021	Ye	D13/108
D917,391 S *	4/2021	Su	D13/103
D919,610 S *	5/2021	Li	D14/252

(Continued)

Primary Examiner — Christy Nemeth

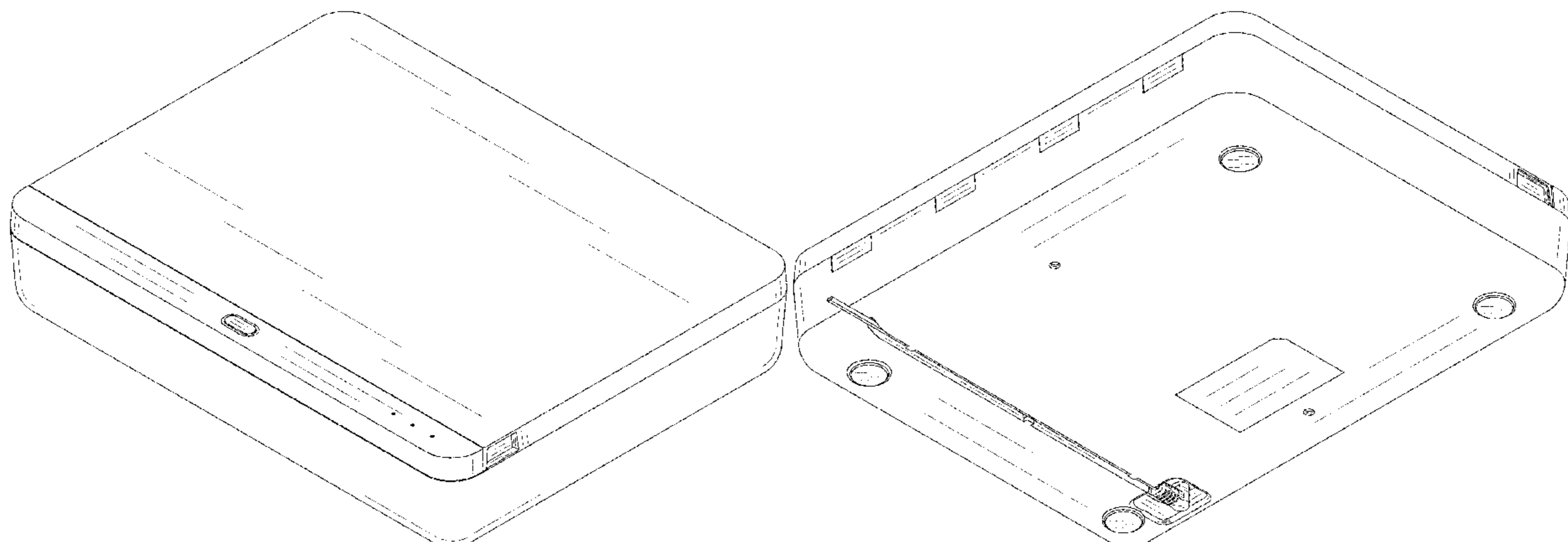
(57) **CLAIM**

The ornamental design for a combined UVC sterilizer and USB charger, as shown and described.

DESCRIPTION

FIG. 1 is a front view of the combined UVC sterilizer and USB charger showing my new design;
FIG. 2 is a back view thereof;
FIG. 3 is a left side view thereof;
FIG. 4 is a right side view thereof;
FIG. 5 is a top view thereof;
FIG. 6 is a bottom view thereof;
FIG. 7 is a perspective view thereof; and,
FIG. 8 is another perspective view thereof.

1 Claim, 8 Drawing Sheets



(56)

References Cited

U.S. PATENT DOCUMENTS

D925,762 S * 7/2021 LaPorte D24/217
D925,763 S * 7/2021 LaPorte D24/217
D931,212 S * 9/2021 Briggs D3/294
D931,806 S * 9/2021 Chen D13/103
D933,599 S * 10/2021 Lee D24/217
D933,600 S * 10/2021 Wang D24/217
D934,796 S * 11/2021 Liao D13/108
D941,489 S * 1/2022 Lu D24/217
D941,756 S * 1/2022 Choi D13/110
2009/0256085 A1 * 10/2009 Thirupathi A61L 2/10
250/492.1
2019/0099509 A1 * 4/2019 Martz A61L 2/24

* cited by examiner

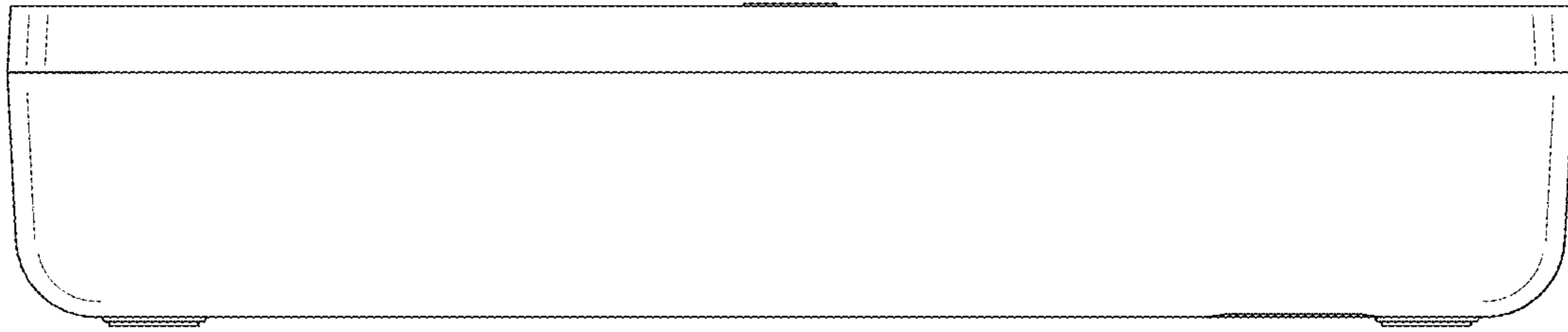


FIG. 1

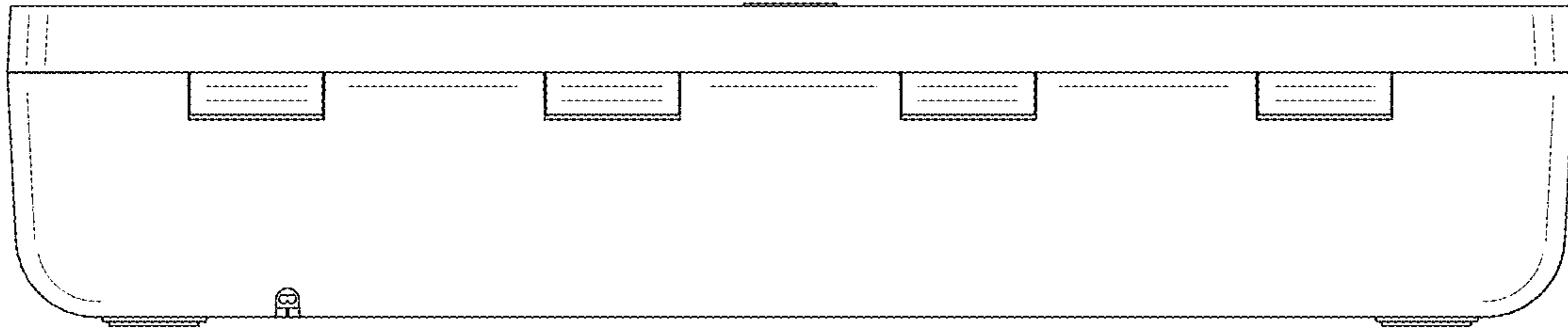


FIG. 2

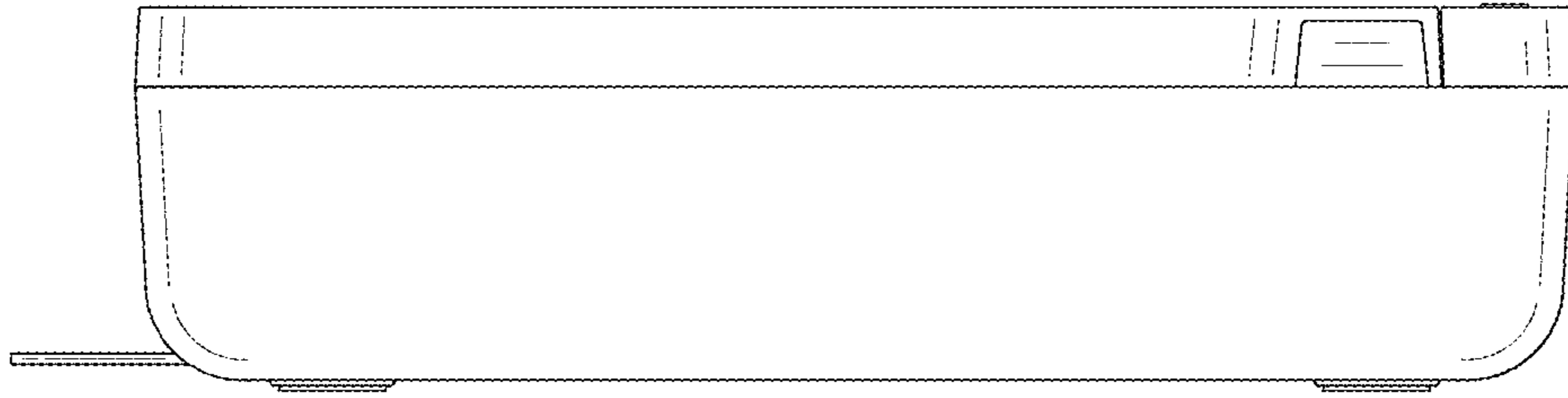


FIG. 3

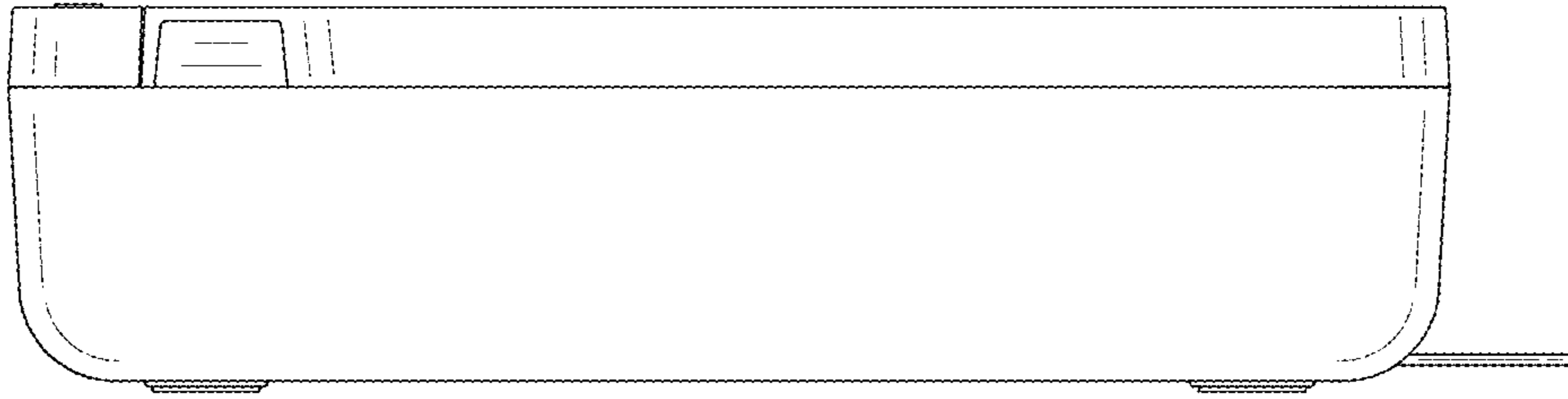


FIG. 4

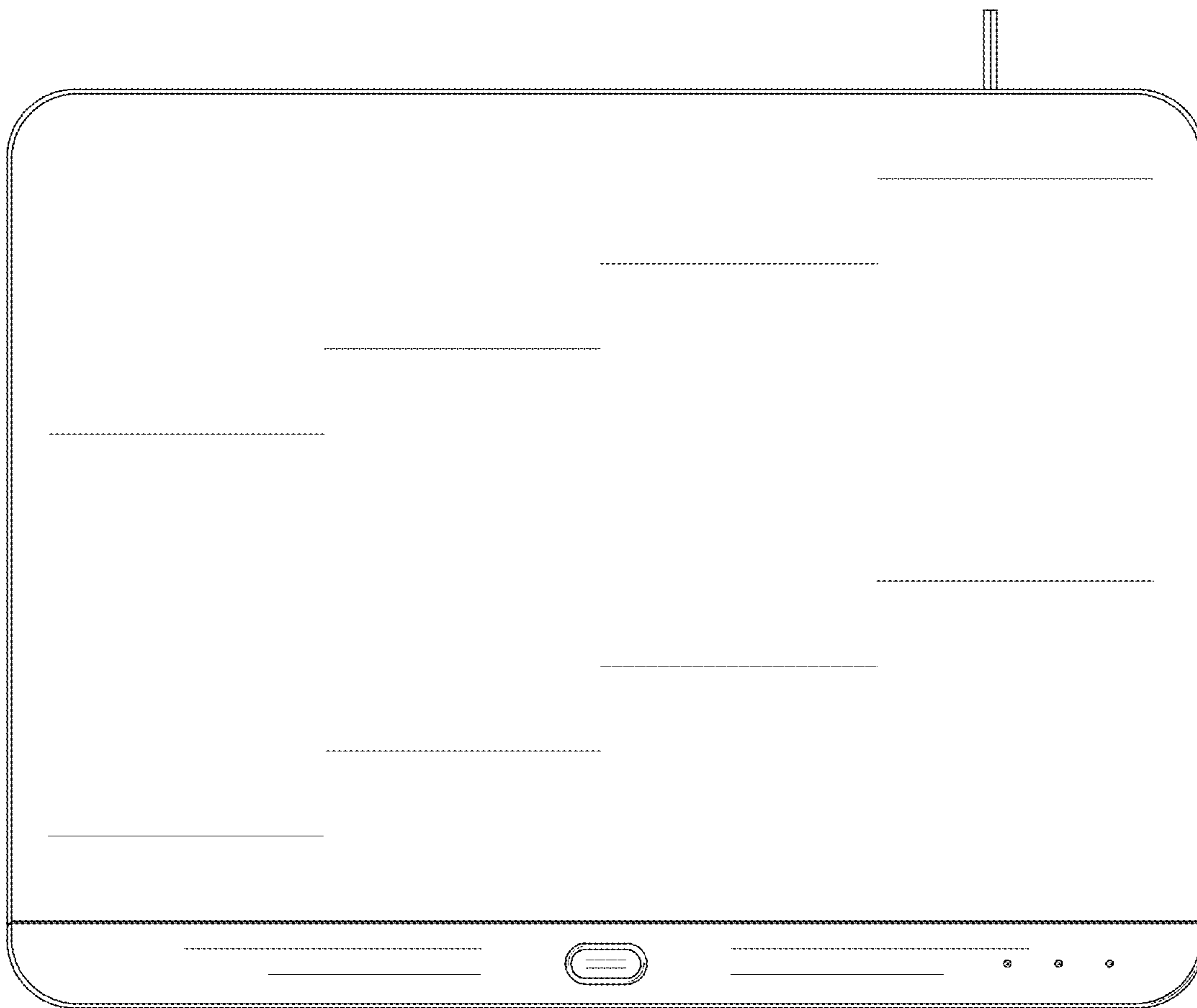


FIG. 5

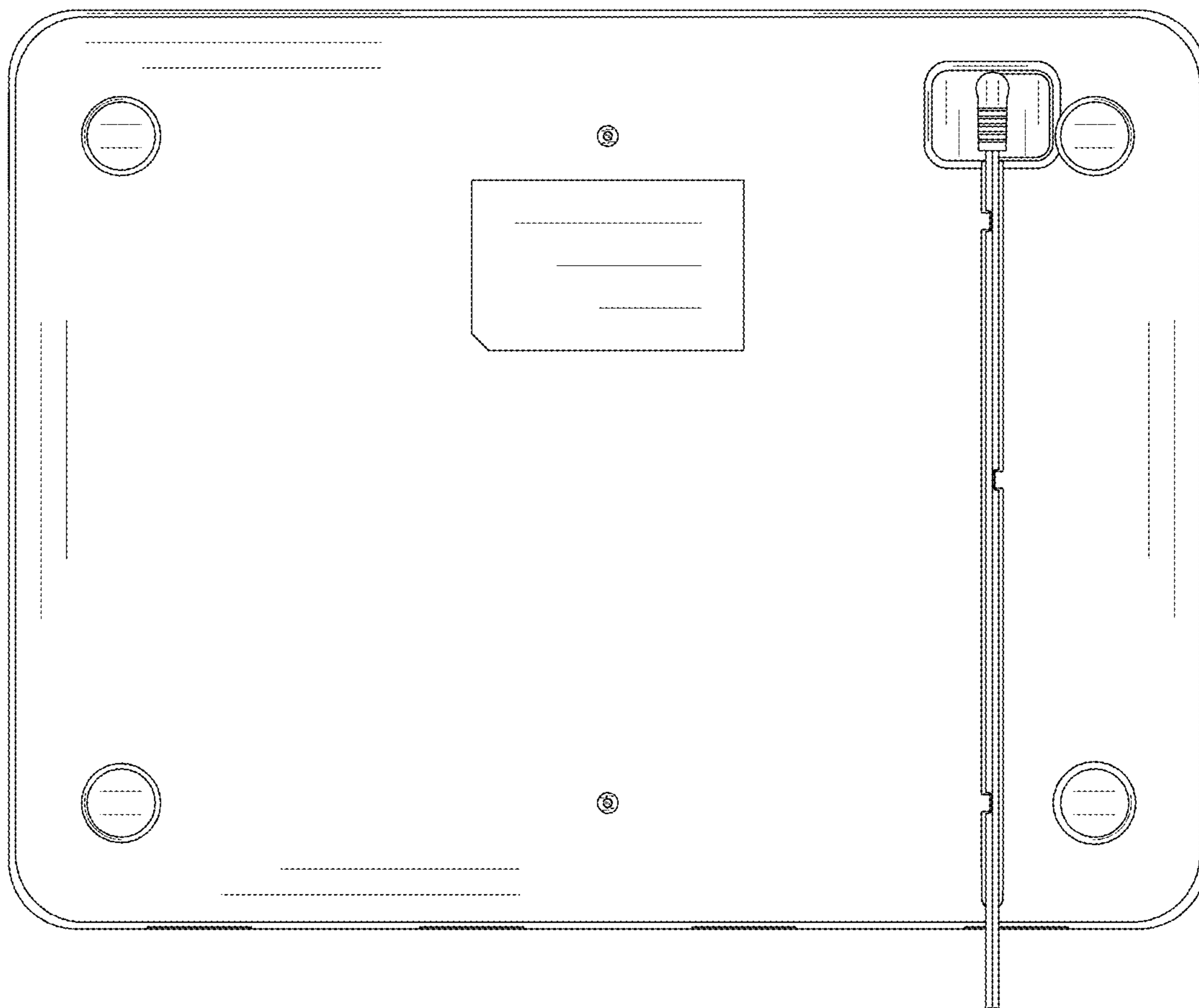


FIG. 6

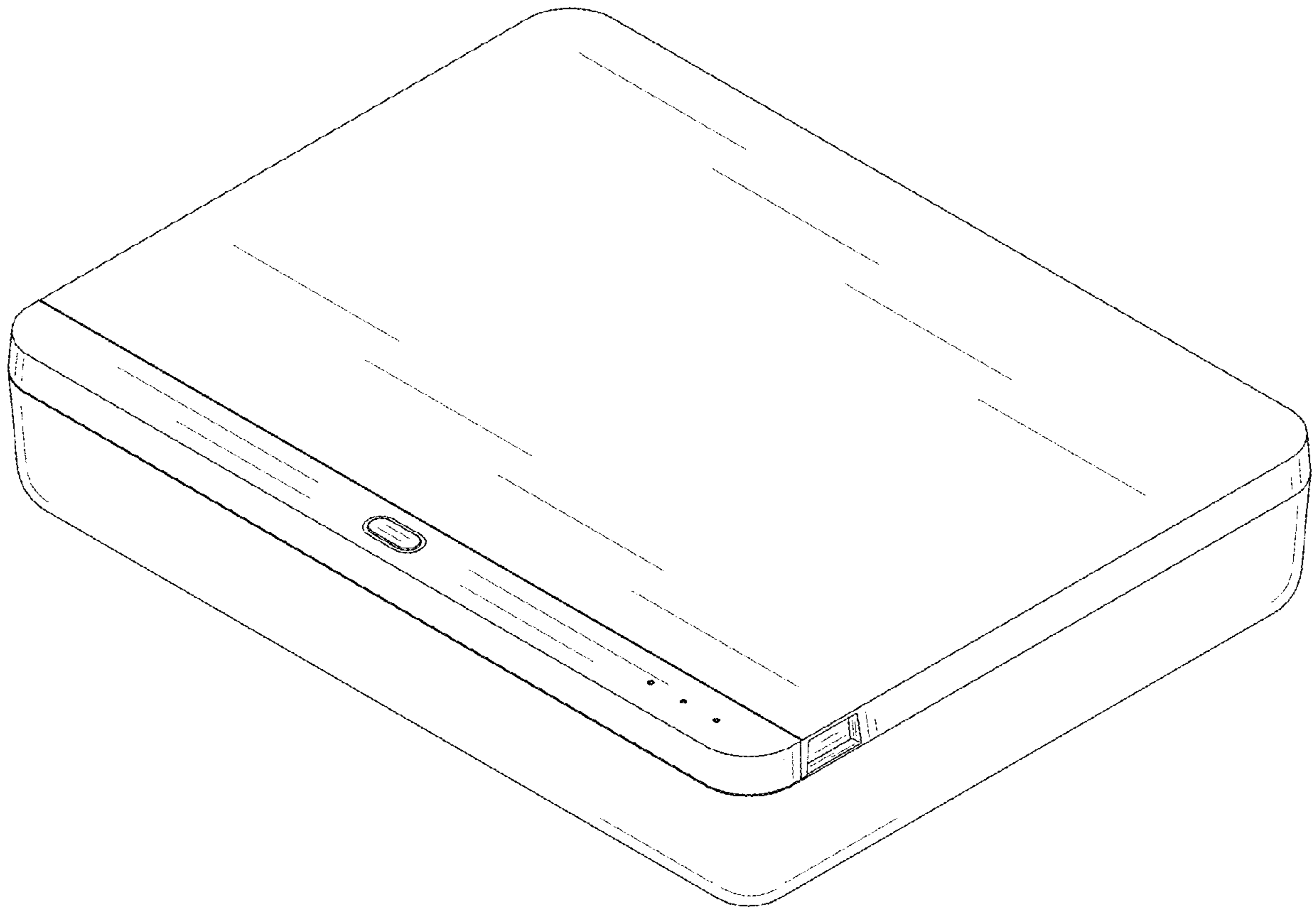


FIG. 7

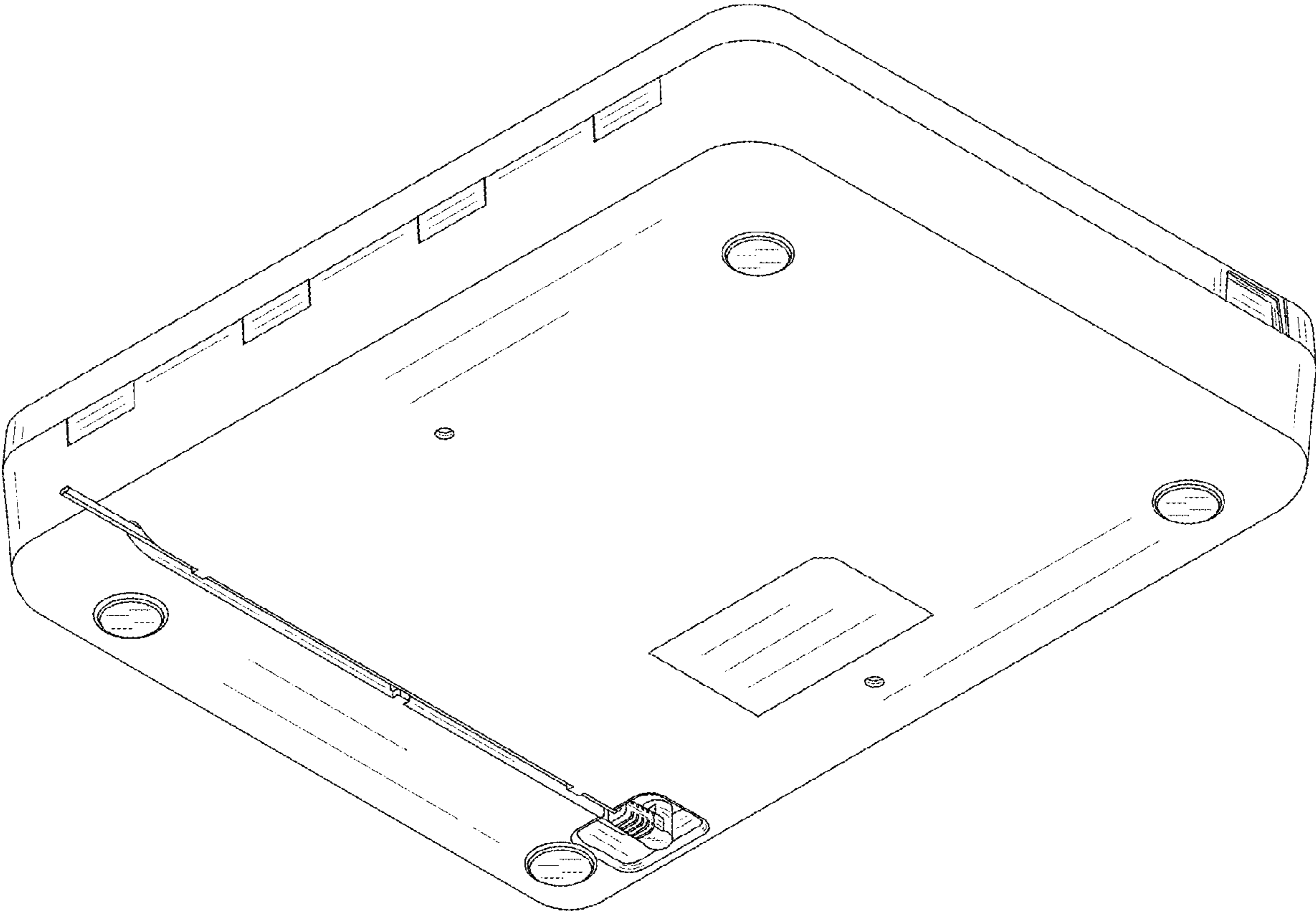


FIG. 8