



US00D953256S

(12) **United States Design Patent**
Lou et al.

(10) **Patent No.:** **US D953,256 S**
(45) **Date of Patent:** **** May 31, 2022**

(54) **POWER SUPPLY**

(71) Applicant: **ZHEJIANG TAOTAO VEHICLES CO., LTD**, Lishui (CN)

(72) Inventors: **Guidong Lou**, Yongkang (CN);
Hongxia Zhu, Lishui (CN)

(**) Term: **15 Years**

(21) Appl. No.: **29/746,982**

(22) Filed: **Aug. 19, 2020**

(30) **Foreign Application Priority Data**

May 23, 2020 (CN) 202030244575.4

(51) **LOC (13) Cl.** **13-02**

(52) **U.S. Cl.**
USPC **D13/107**

(58) **Field of Classification Search**
USPC D13/103, 106, 107, 108, 109, 110, 112,
D13/114, 116, 118, 119, 184, 199
CPC H01M 10/46; H02J 7/0044; F02B 63/04
See application file for complete search history.

(56) **References Cited**

U.S. PATENT DOCUMENTS

D506,724 S *	6/2005	Hriscu	D13/107
D764,403 S *	8/2016	Azuma	D13/103
D842,240 S *	3/2019	Lai	D13/107
10,424,943 B2 *	9/2019	Wang	B65D 43/163
D874,398 S *	2/2020	Sun	D13/107
D883,206 S *	5/2020	Bai	D13/110
D887,357 S *	6/2020	Liao	D13/110
D902,857 S *	11/2020	Jia	D13/110
D911,935 S *	3/2021	Alexander	D13/107
D911,953 S *	3/2021	Yin	D13/108
2007/0285049 A1 *	12/2007	Krieger	H01M 50/213 320/105
2016/0285295 A1 *	9/2016	Marinov	H02J 7/007
2019/0013686 A1 *	1/2019	Ma	H02J 7/0045

OTHER PUBLICATIONS

“Jackery Portable Power Station”. Found online Aug. 24, 2021 at amazon.com. Reference dated Jul. 27, 2018. Retrieved from https://www.amazon.com/Jackery-Portable-Generator-Explorer-Emergency/dp/B07FYJVFNK/ref=pd_di_sccai_4/138-1419969-7172313. (Year: 2018).*

“Kyng Portable Power Station”. Found online Aug. 24, 2021 at amazon.com. Reference dated Dec. 1, 2019. Retrieved from https://www.amazon.com/Kyng-Power-Generator-Emergency-Rechargeable/dp/B07SVL2CP3. (Year: 2019).*

“BUTURE Solar Outdoor Generator”. Found online Aug. 24, 2021 at amazon.com. Reference dated Apr. 2, 2020. Retrieved from https://www.amazon.com/Portable-Station-BUTURE-Generator-72000mAh/dp/B086P75DG6/ref=asc_df_B086P75DG6/. (Year: 2020).*

* cited by examiner

Primary Examiner — Kendra Leslie Hamilton

Assistant Examiner — Amanda Christensen

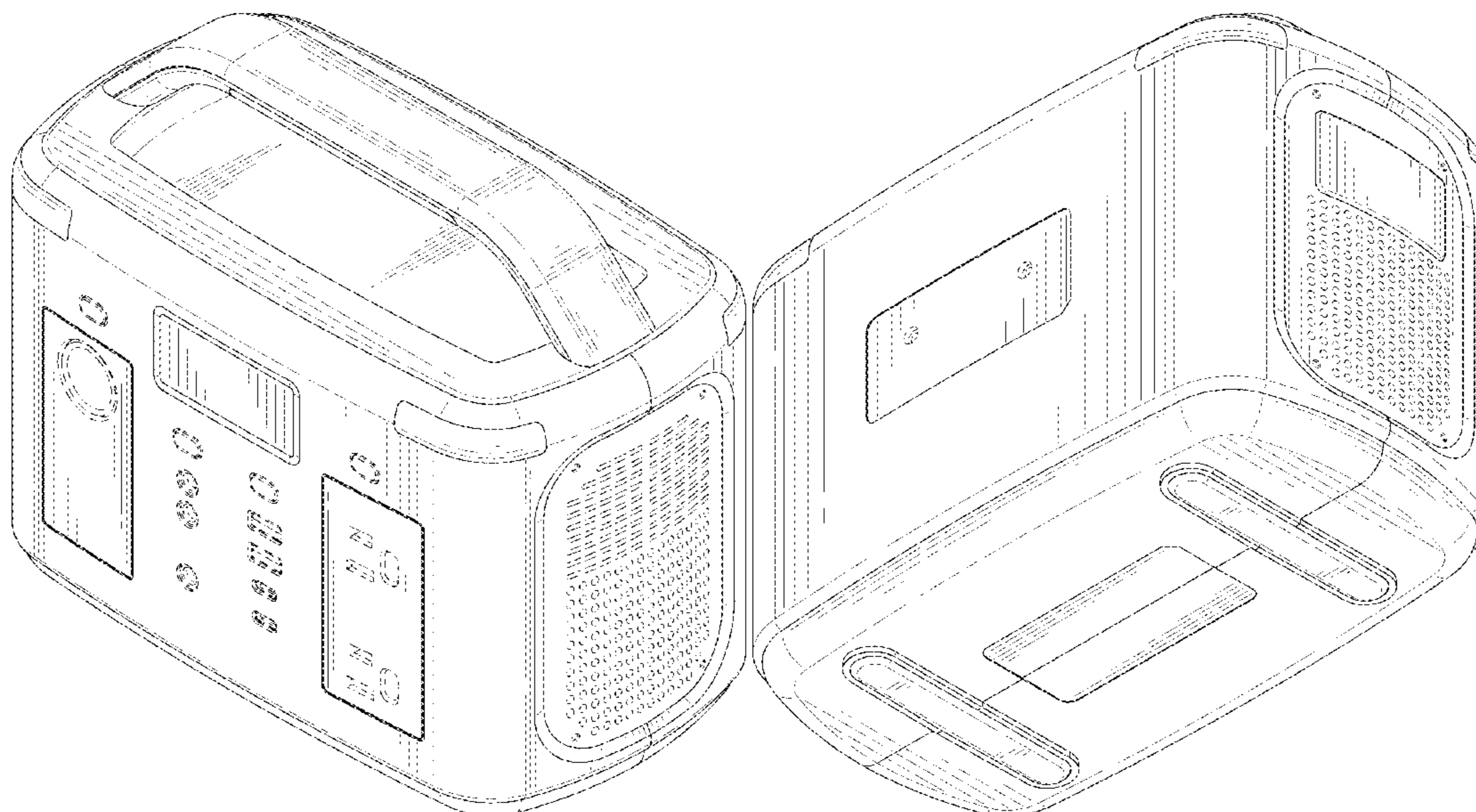
(57) **CLAIM**

The ornamental design for a power supply, as shown and described.

DESCRIPTION

FIG. 1 is a front and top perspective view of a power supply, showing our new design;
FIG. 2 is a rear and bottom perspective view thereof;
FIG. 3 is a front elevational view thereof;
FIG. 4 is a rear elevational view thereof;
FIG. 5 is a left side elevational view thereof;
FIG. 6 is a right side elevational view thereof;
FIG. 7 is a top plan view thereof; and,
FIG. 8 is a bottom plan view thereof.
The broken lines depict portions of the power supply that form no part of the claimed design.

1 Claim, 8 Drawing Sheets



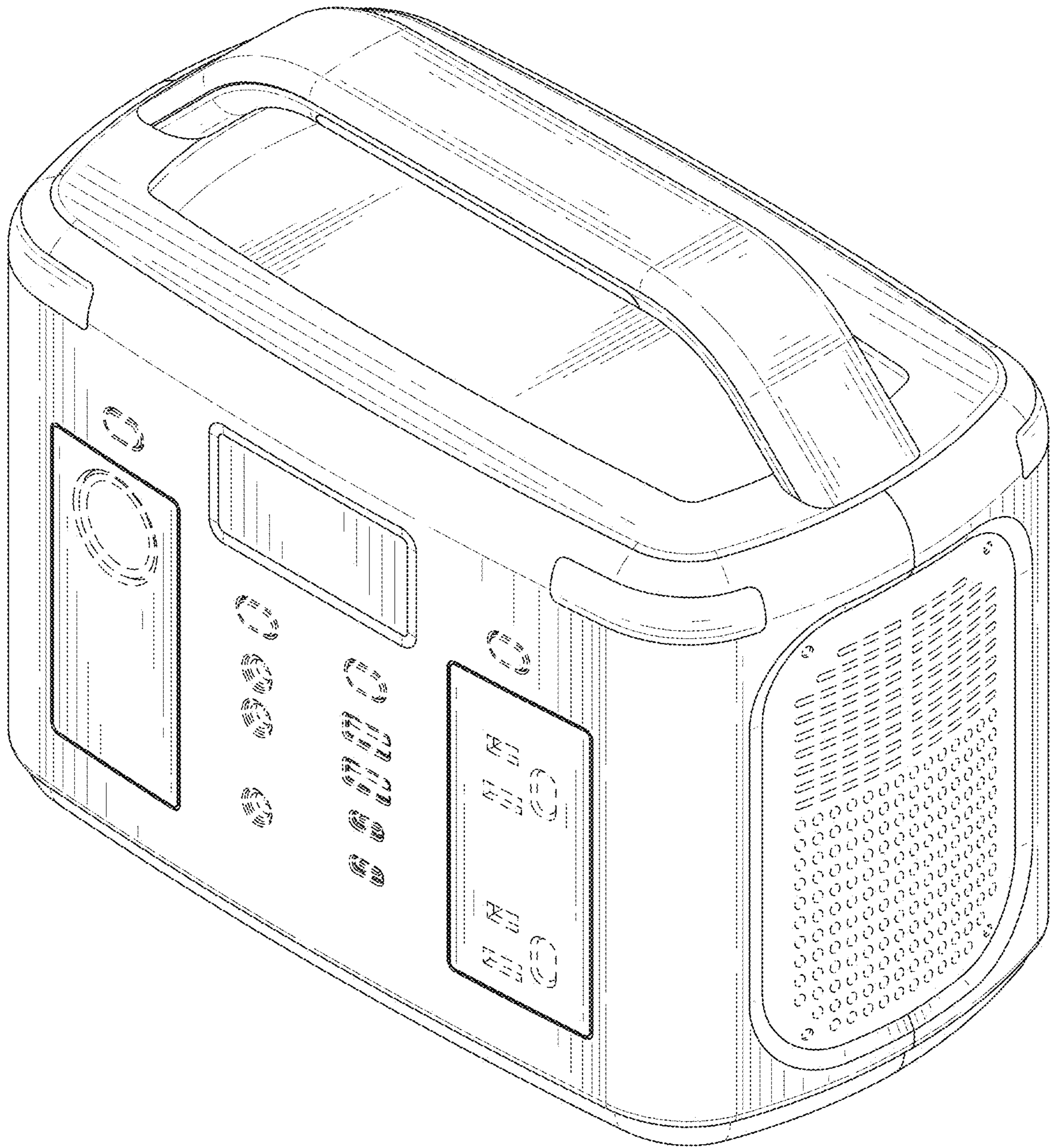


FIG. 1

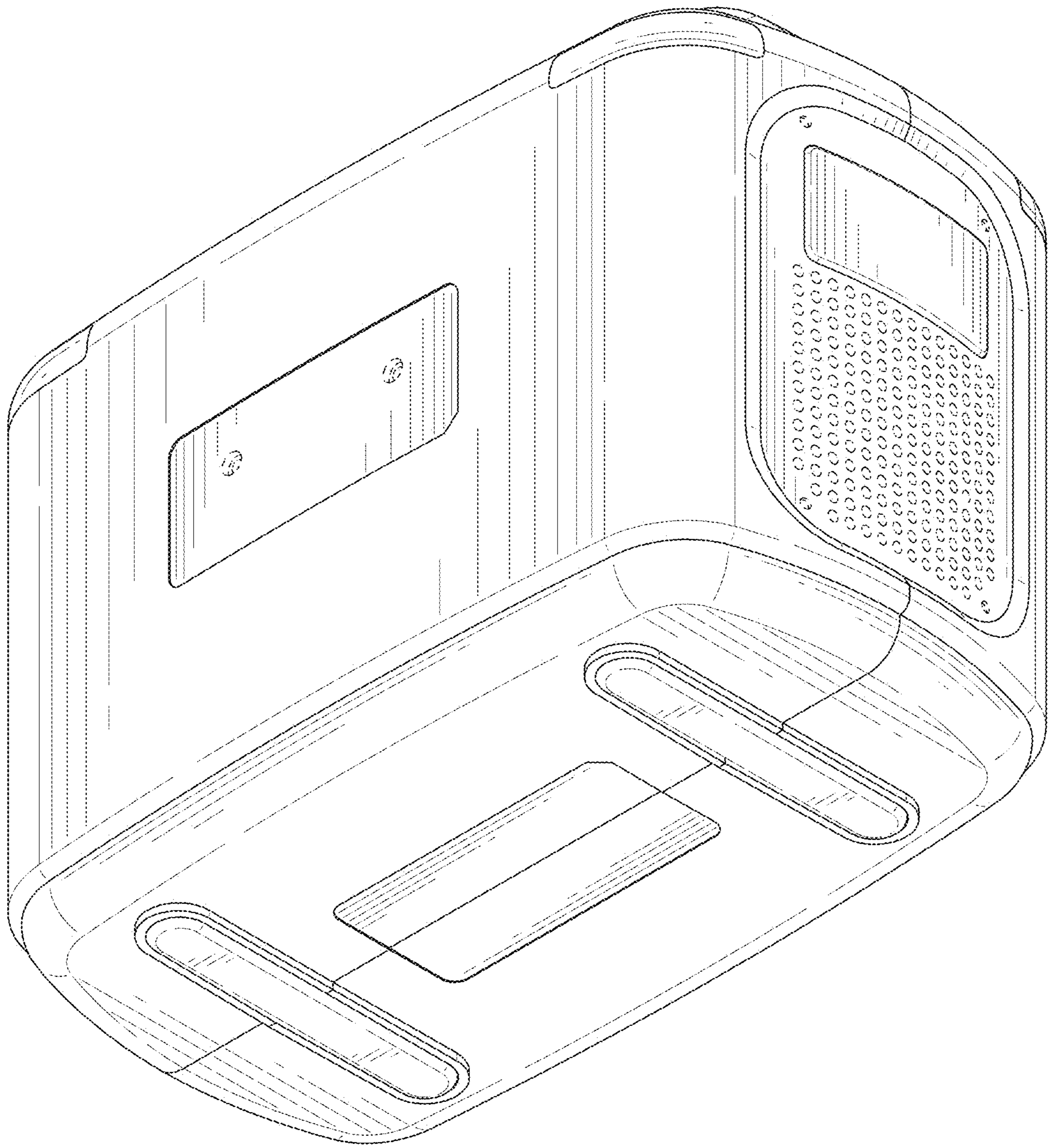


FIG. 2

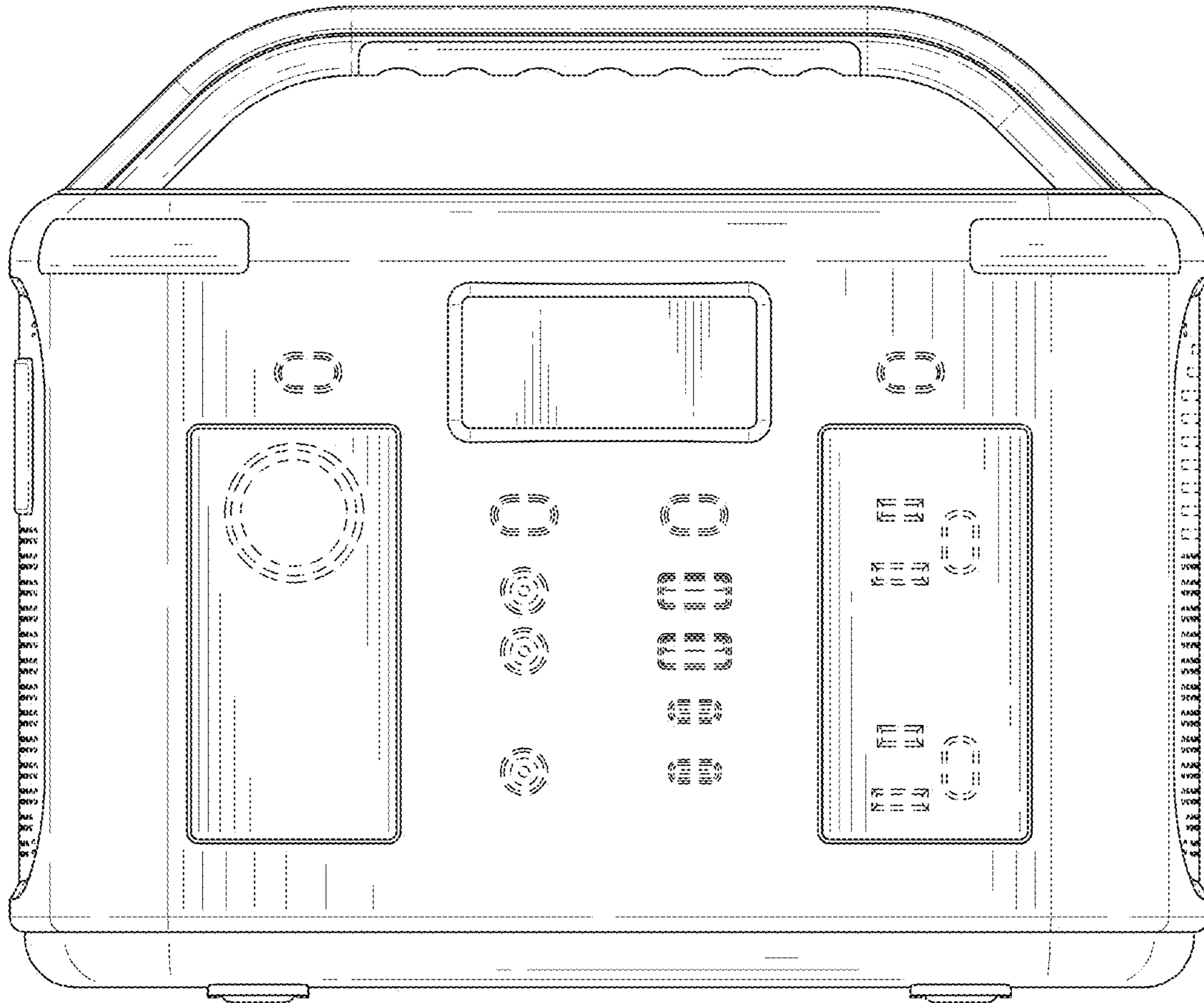


FIG. 3

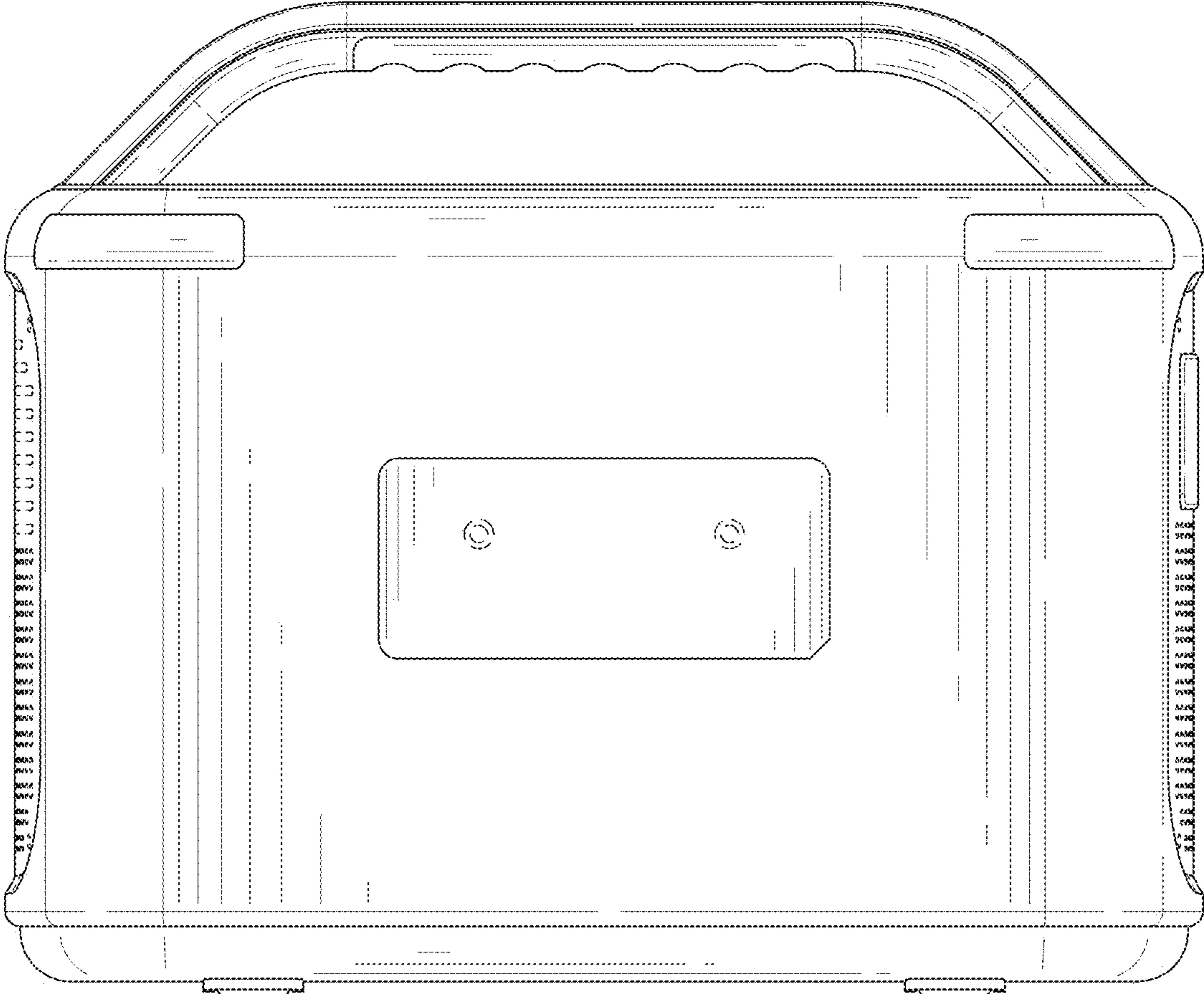


FIG. 4

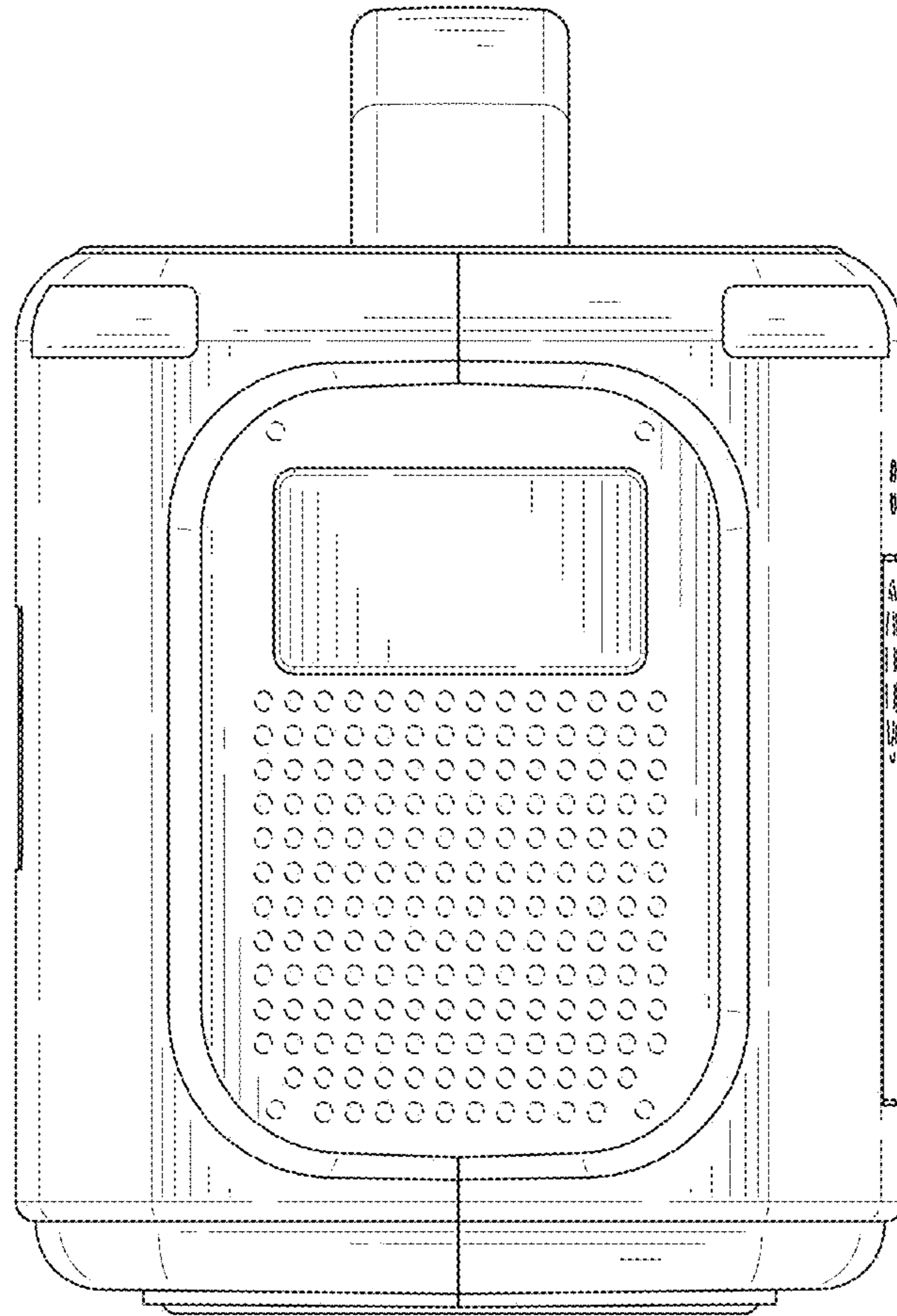


FIG. 5

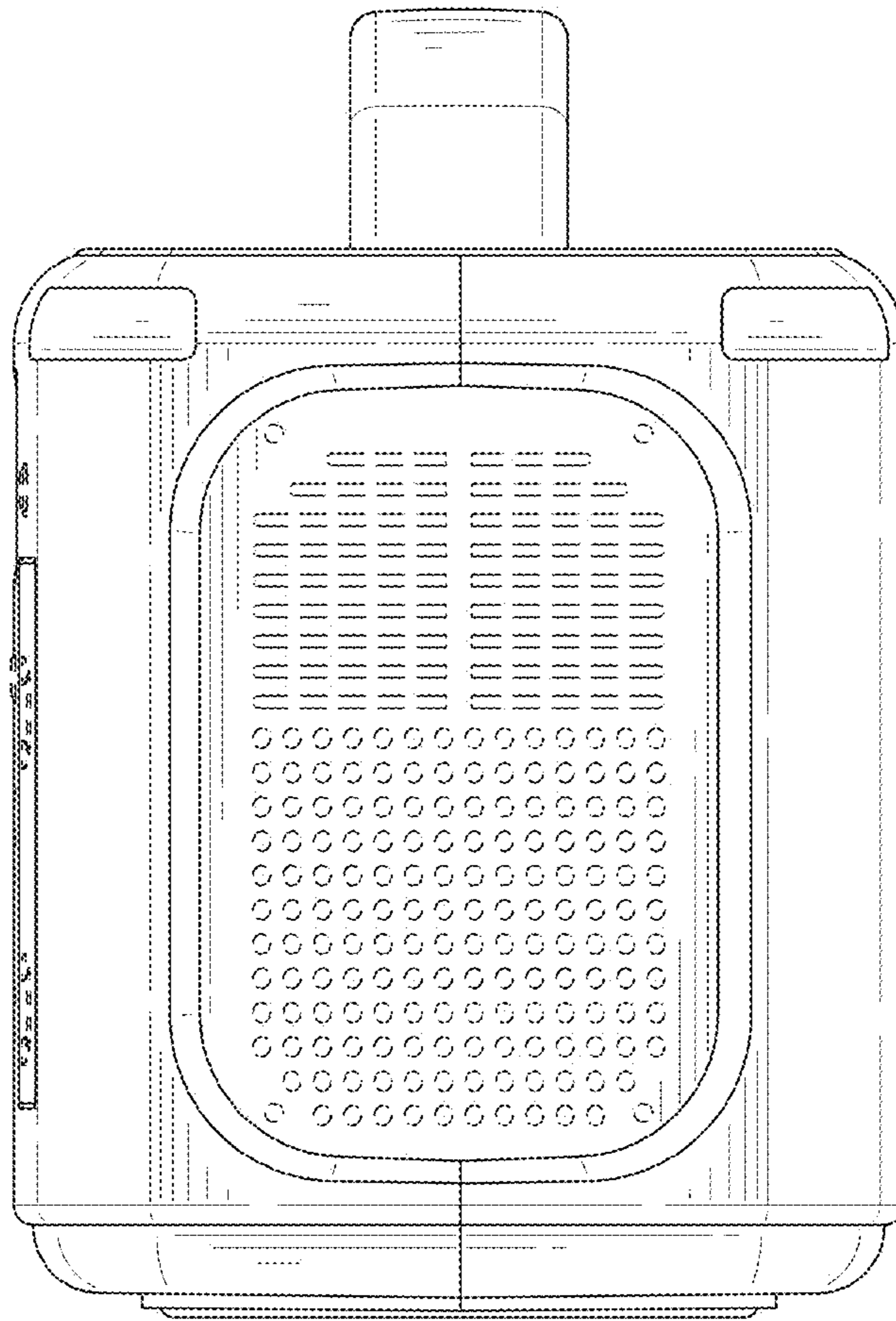


FIG. 6

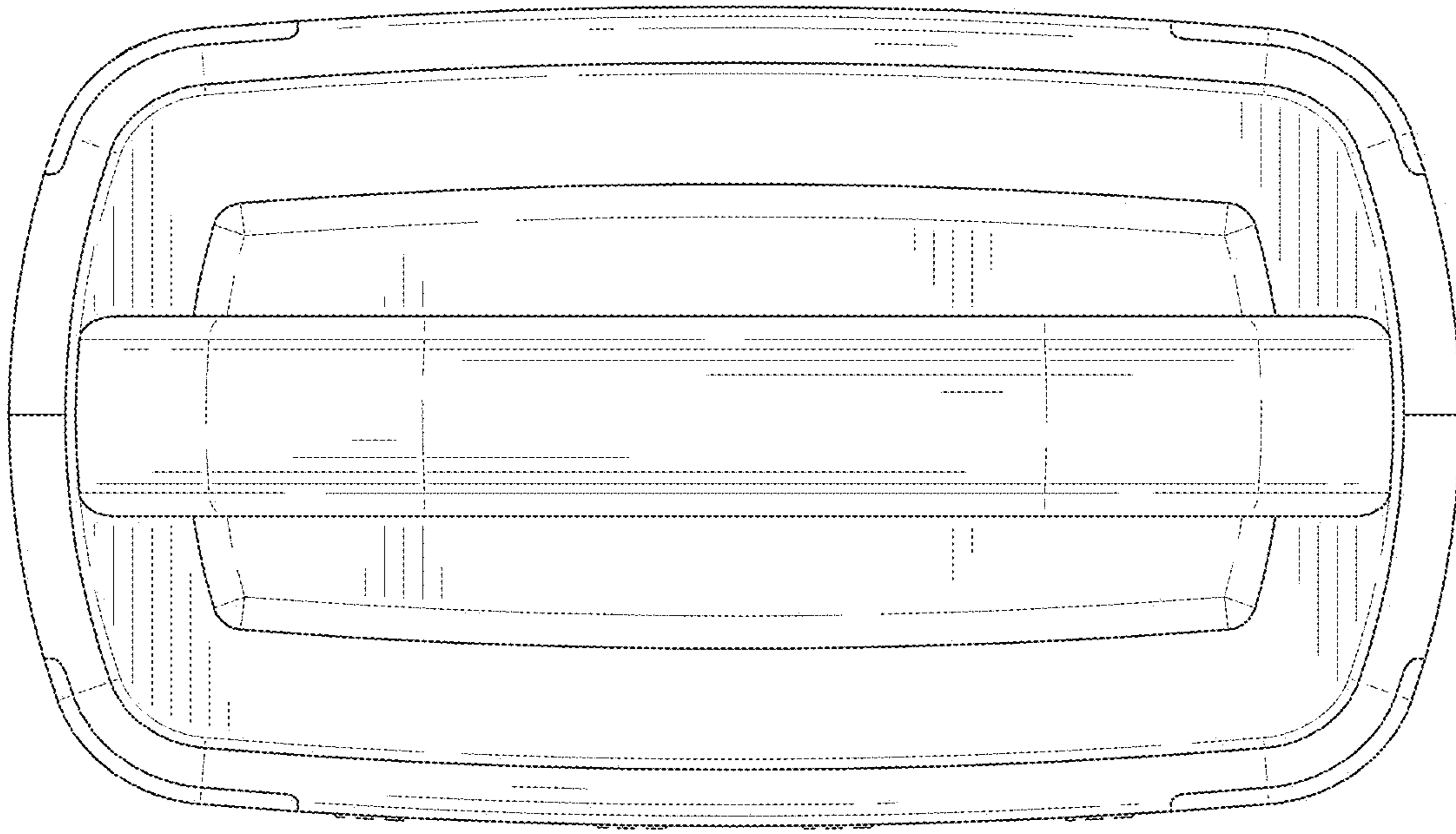


FIG. 7

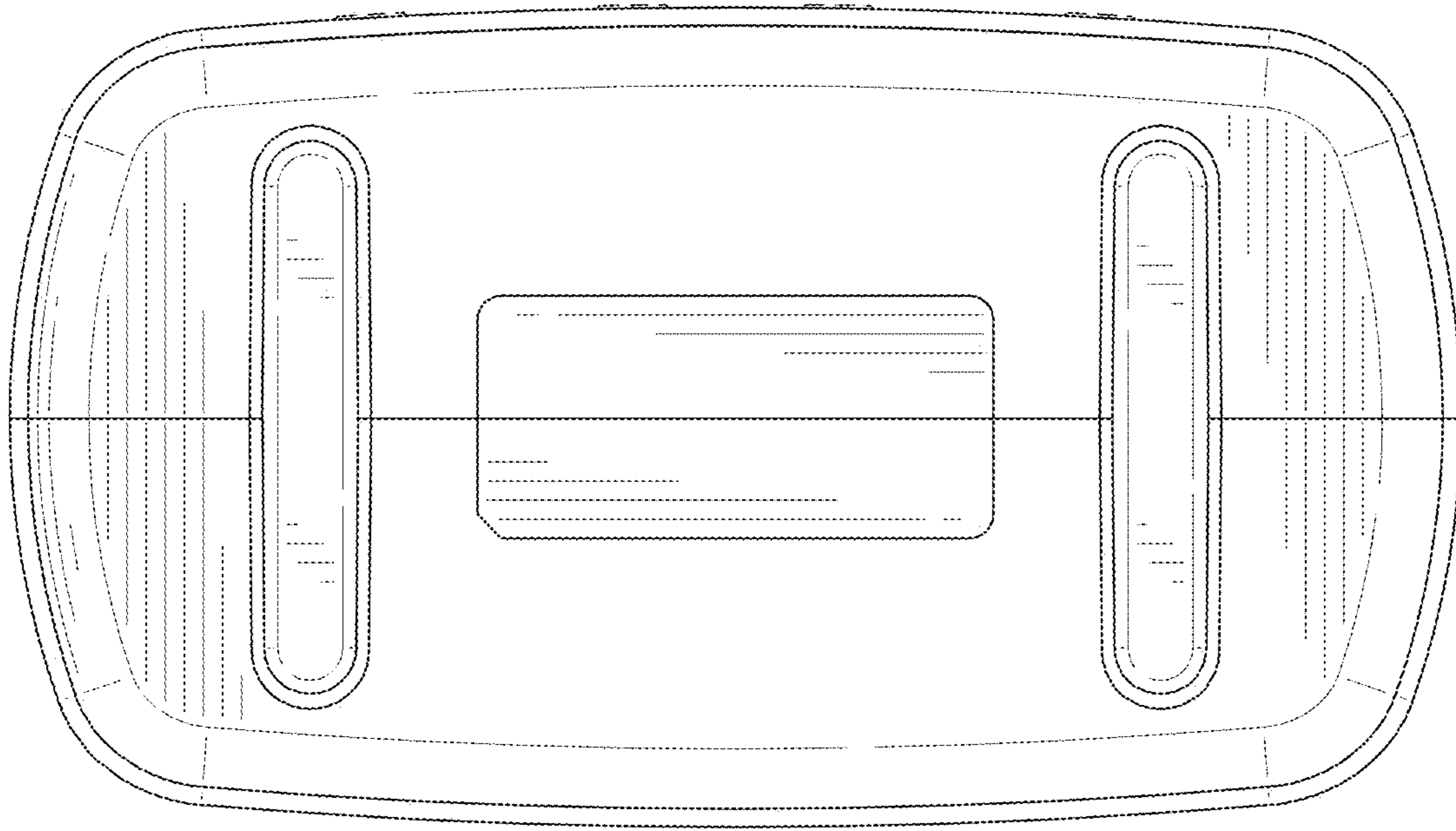


FIG. 8