



US00D953253S

(12) **United States Design Patent** (10) **Patent No.:** **US D953,253 S**
Cestonaro et al. (45) **Date of Patent:** **** May 31, 2022**

(54) **BATTERY PACK**

- (71) Applicant: **Positec Power Tools (Suzhou) Co., Ltd.**, Suzhou (CN)
- (72) Inventors: **Andrea Cestonaro**, Vicenza (IT); **Yanan Liu**, Suzhou (CN)
- (73) Assignee: **Positec Power Tools (Suzhou) Co., Ltd.**, Suzhou (CN)
- (**) Term: **15 Years**

(21) Appl. No.: **29/738,081**

(22) Filed: **Jun. 15, 2020**

(30) **Foreign Application Priority Data**

Dec. 16, 2019 (CN) 201930701898.9

(51) **LOC (13) Cl.** **13-02**

(52) **U.S. Cl.**
USPC **D13/103**

(58) **Field of Classification Search**
USPC D13/102–106, 110, 118, 119, 184, 199
CPC Y02E 60/10; H01M 6/00; H01M 6/14;
H01M 6/05; H01M 6/10; H01M 6/52
See application file for complete search history.

(56) **References Cited**

U.S. PATENT DOCUMENTS

- D640,190 S 6/2011 Aglassinger
- D657,307 S 4/2012 Zhao
- D712,348 S 9/2014 Zhang
- D876,340 S 2/2020 Song

(Continued)

OTHER PUBLICATIONS

Battery Packs. (Design—© Questel) orbit.com. [Online PDF compilation of references] 71 pgs. Print Dates Range May 24, 2021-Jan. 25, 2018 [Retrieved Sep. 27, 2021].*

(Continued)

Primary Examiner — Manpreet S Matharu
Assistant Examiner — Suzanne E Tisdell
(74) *Attorney, Agent, or Firm* — Westbridge IP LLC

(57) **CLAIM**

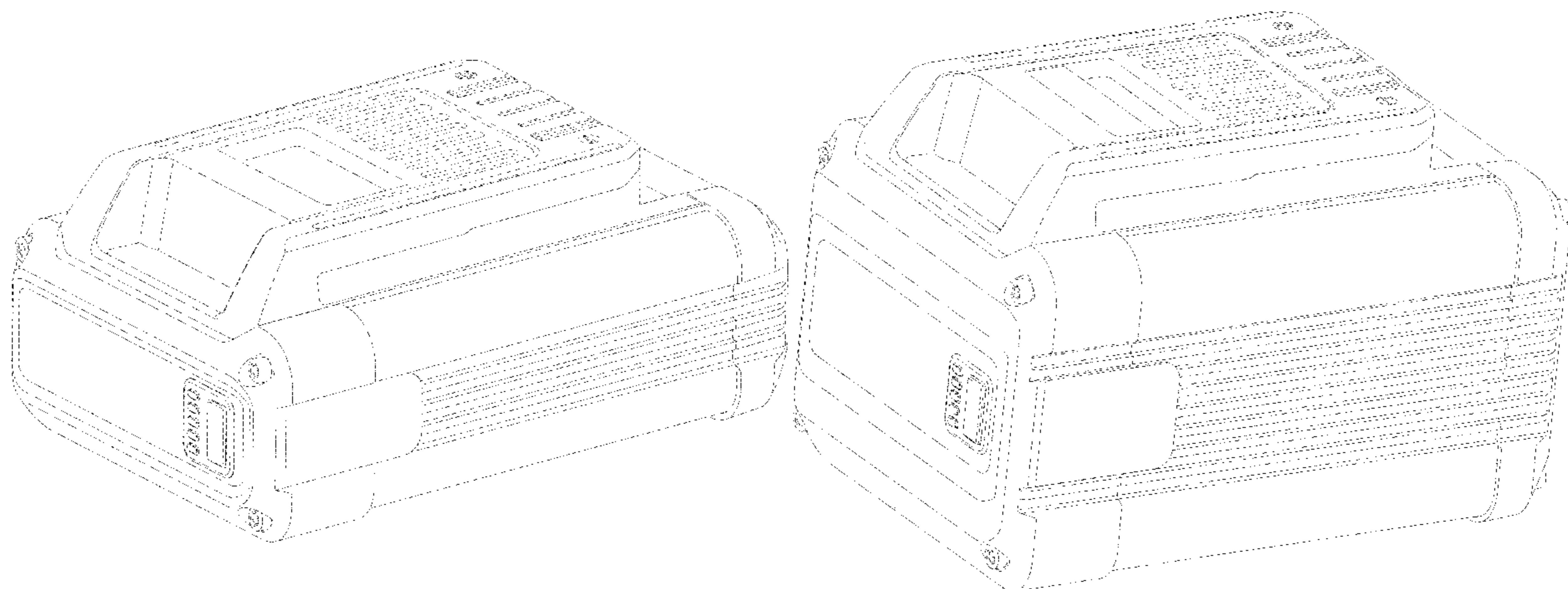
The ornamental design for a battery pack, as shown and described.

DESCRIPTION

FIG. 1 is a front perspective view of a first embodiment of a battery pack showing our new design;
 FIG. 2 is a rear elevational view of the first embodiment thereof;
 FIG. 3 is a front elevational view of the first embodiment thereof;
 FIG. 4 is a left side view of the first embodiment thereof;
 FIG. 5 is a right side view of the first embodiment thereof;
 FIG. 6 is a top plan view of the first embodiment thereof;
 FIG. 7 is a bottom plan view of the first embodiment thereof;
 FIG. 8 is a front perspective view of a second embodiment of a battery pack showing our new design;
 FIG. 9 is a front elevational view of the second embodiment thereof;
 FIG. 10 is a rear elevational view of the second embodiment thereof;
 FIG. 11 is a right side view of the second embodiment thereof;
 FIG. 12 is a left side view of the second embodiment thereof;
 FIG. 13 is a top plan view of the second embodiment thereof; and,
 FIG. 14 is a bottom plan view of the second embodiment thereof.

The broken lines shown in the drawings illustrate portions of the battery pack which form no part of the claimed design.

1 Claim, 14 Drawing Sheets



(56)

References Cited

U.S. PATENT DOCUMENTS

| | | | | |
|----------|-----|--------|-----------|---------|
| D884,600 | S | 5/2020 | Zhou | |
| D912,615 | S * | 3/2021 | Li | D13/103 |
| D919,560 | S * | 5/2021 | Taniguchi | D13/103 |
| D922,939 | S * | 6/2021 | Ye | D13/103 |
| D922,940 | S * | 6/2021 | Ye | D13/103 |
| D924,791 | S * | 7/2021 | Yrad, Jr. | D13/103 |
| D924,793 | S * | 7/2021 | Qiu | D13/103 |
| D924,794 | S * | 7/2021 | Kuang | D13/103 |
| D924,795 | S * | 7/2021 | Zhong | D13/103 |
| D925,442 | S * | 7/2021 | Howell | D13/103 |
| D926,674 | S * | 8/2021 | Willey | D13/103 |
| D927,415 | S * | 8/2021 | Li | D13/103 |
| D929,316 | S * | 8/2021 | Azuma | D13/103 |
| D931,199 | S * | 9/2021 | Gallagher | D13/103 |

OTHER PUBLICATIONS

“Kobalt 24-volt Max 4-Amp-Hours Lithium Power Tool Battery.” Aug. 12, 2016. Amazon. <https://www.amazon.com/24-VOLT-4-0-AMP-LITHIUM-KB-424-03/dp/B01KAL4IO2>.*

“Craftsman CMCB201 Genuine)EM V20 Lithium Ion Battery.” Aug. 7, 2019. Amazon. https://www.amazon.com/Craftsman-CMCB201-Genuine-Lithium-Battery/dp/B07W8W21H8/ref=asc_df_B07W8W21H8/?tag=hyprod-20&linkCode=df0&hvadid=366290009890&hvpos=&hvnetw=g&hvrnd=5280352389277804036&hvpon=&hvptwo=&hvqmt=&hvdev=c&hvdvcmdl=&hvl.*

“Greenworks 40V 4.0Ah Lithium-Ion Battery.” Before May 23, 2018. Amazon. <https://www.amazon.com/GreenWorks-29472-G-MAX-40V-Li-Ion/dp/B00AW72Y2I?th=1>.*

* cited by examiner

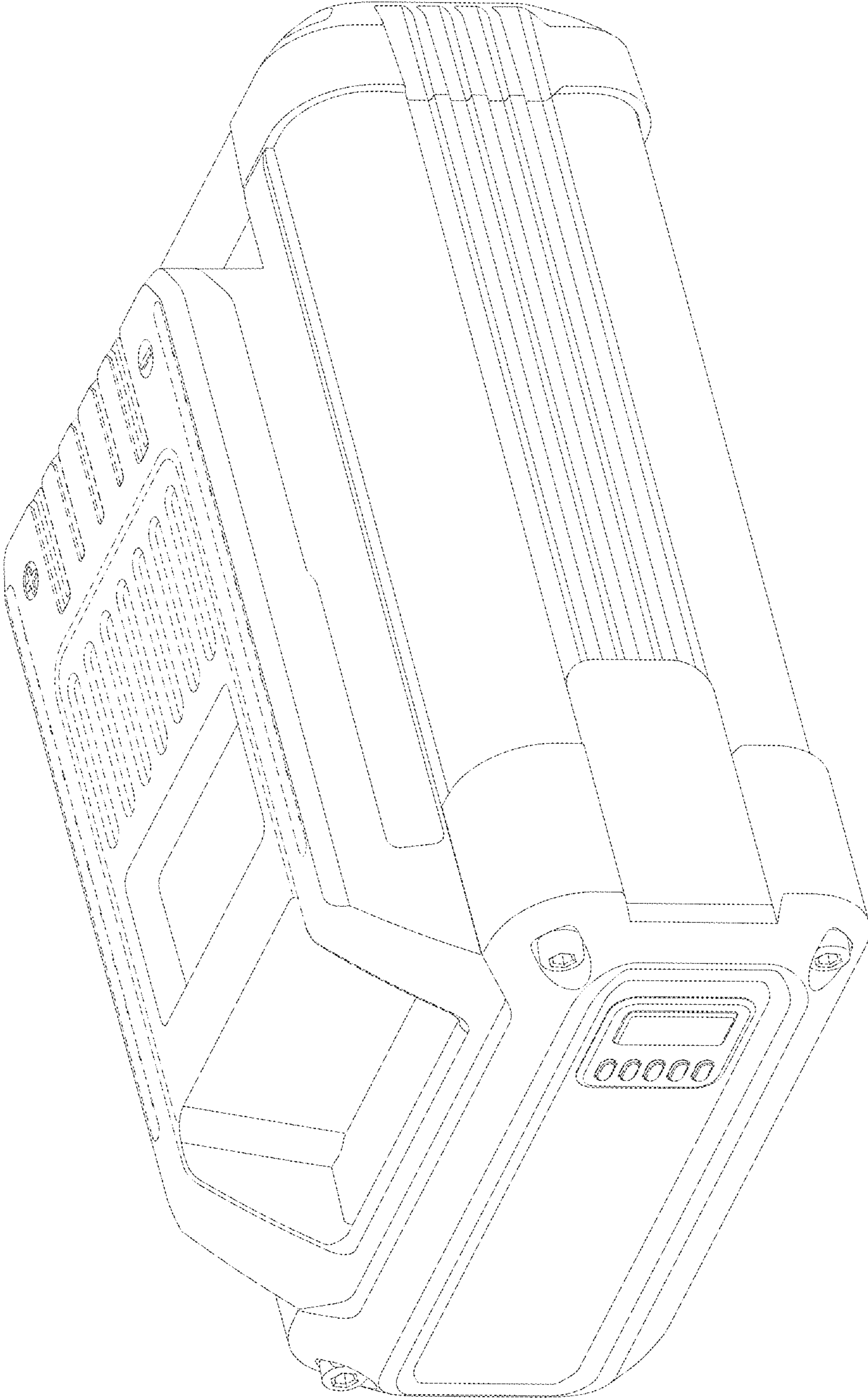


FIG. 1

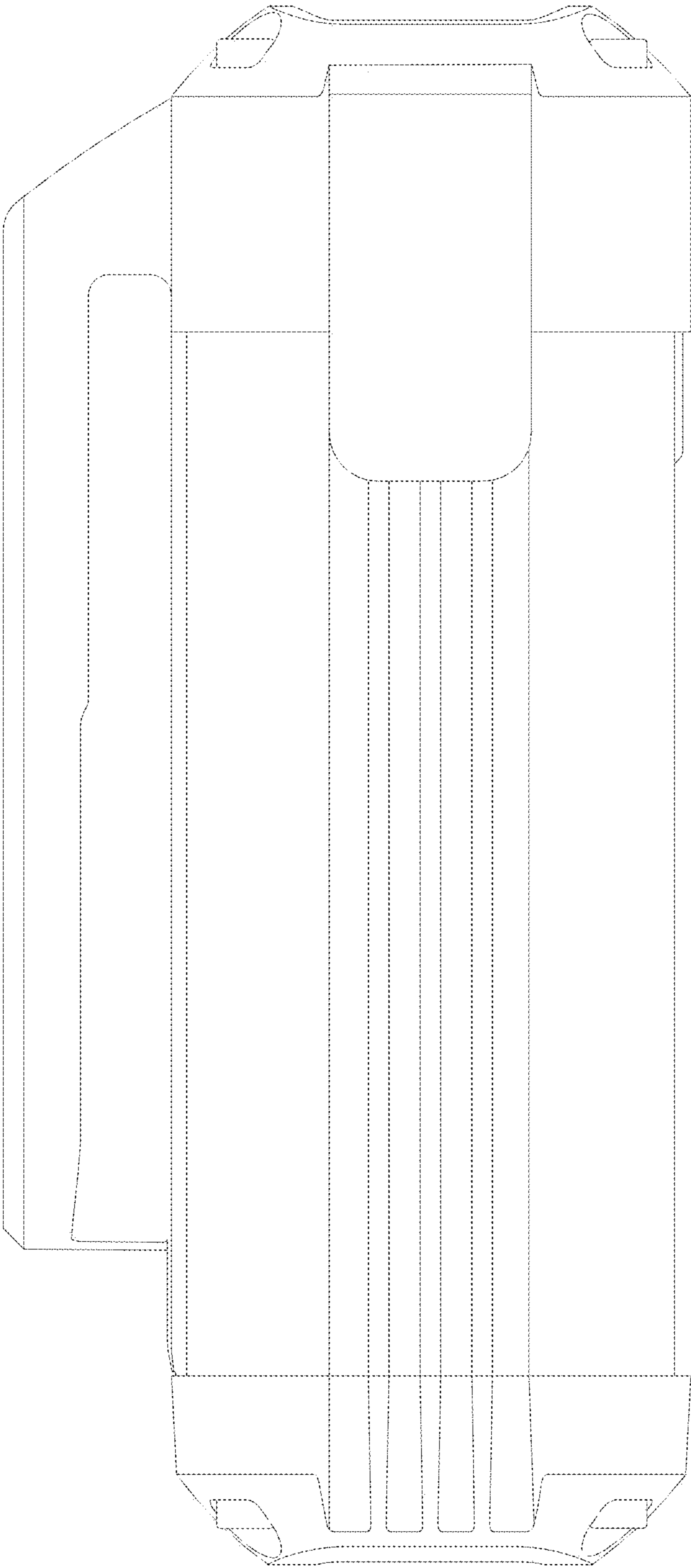


FIG. 2

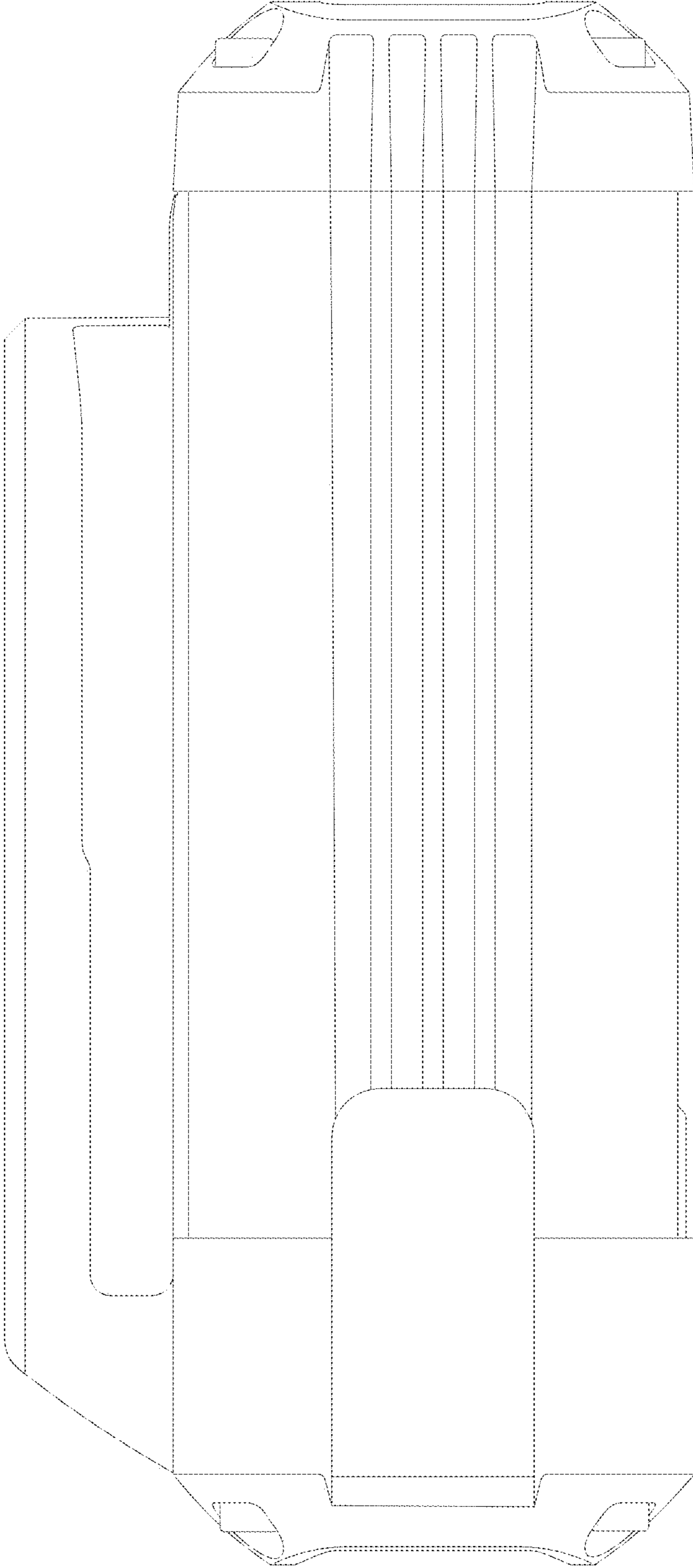


FIG. 3

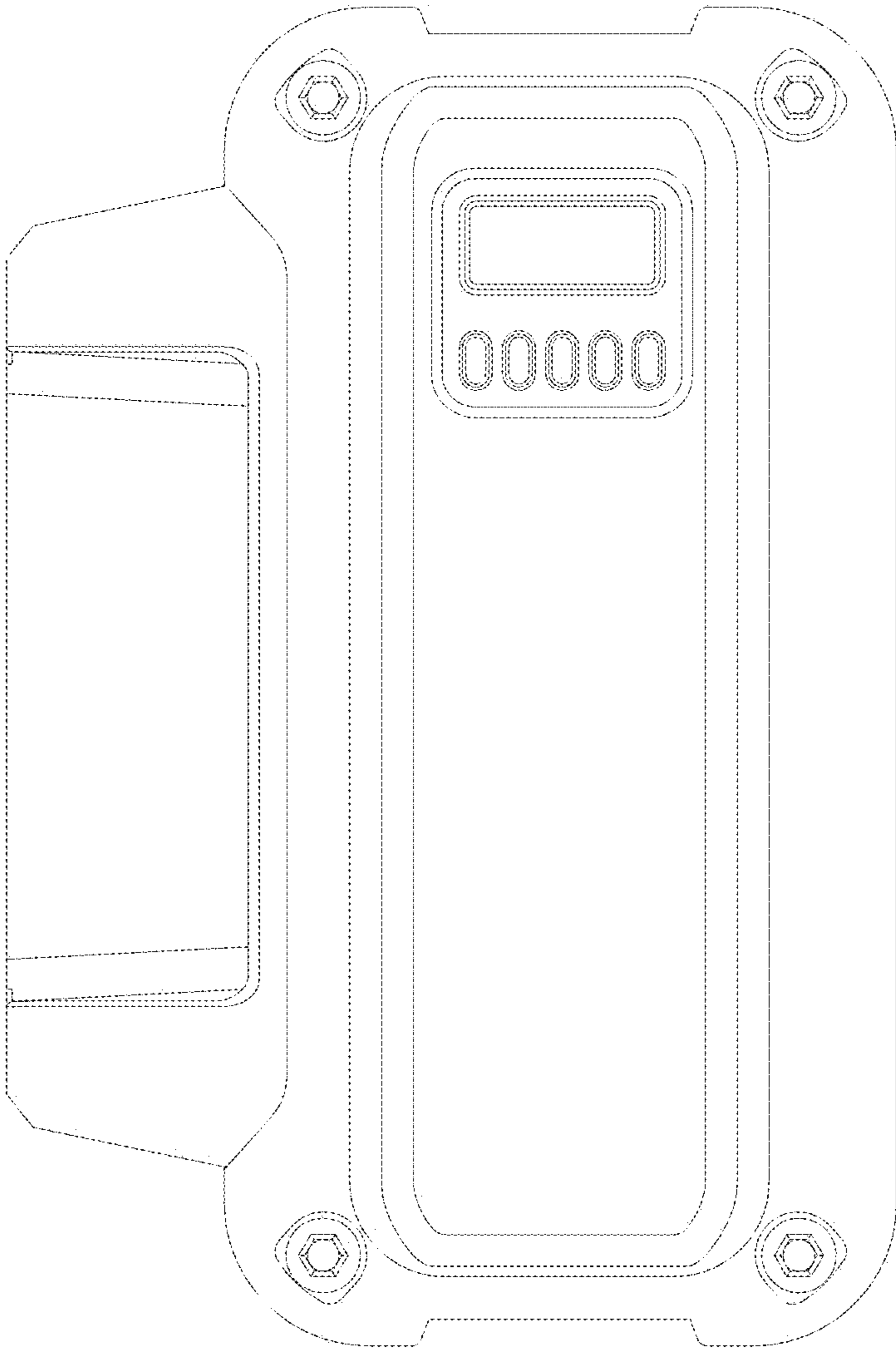


FIG. 4

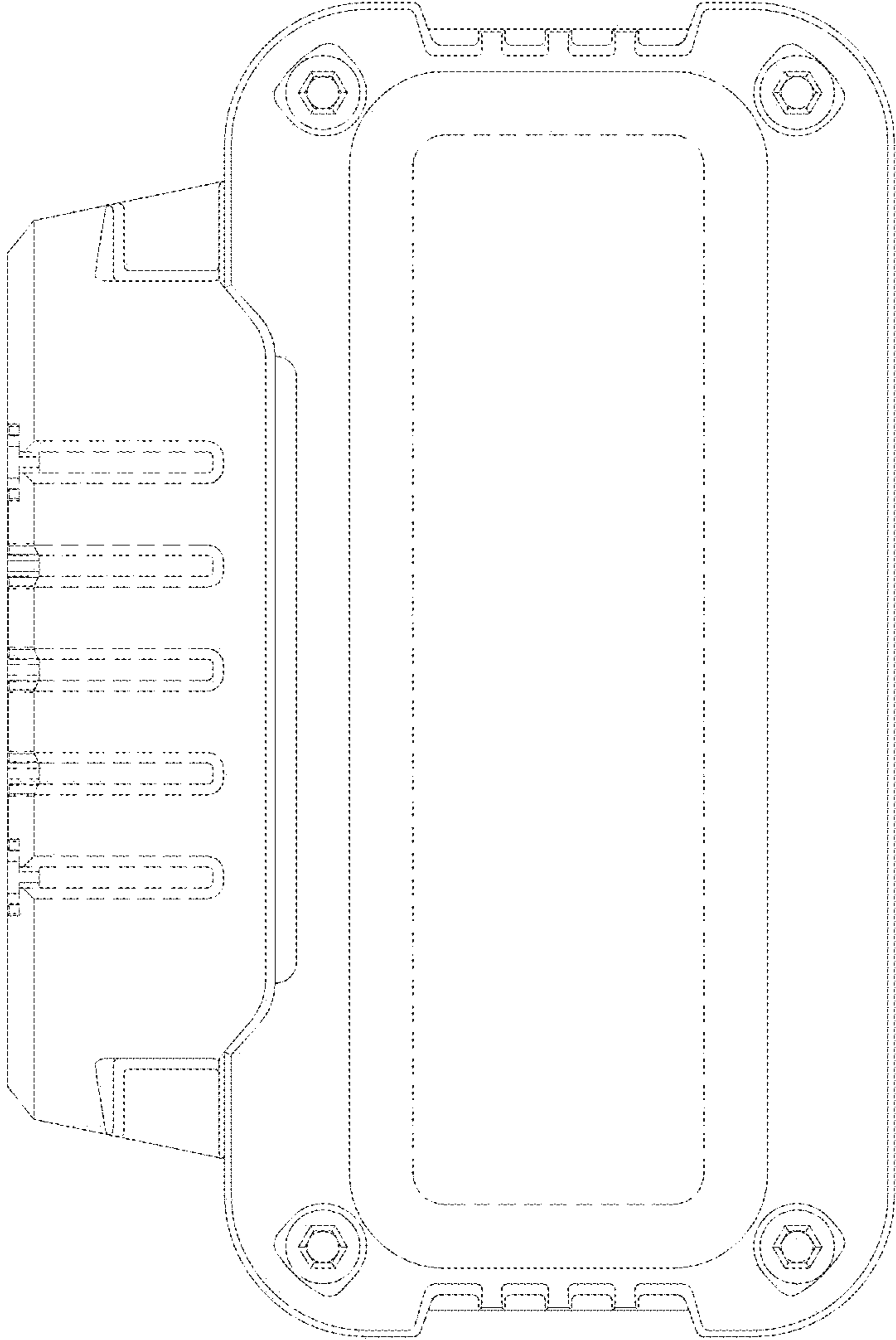


FIG. 5

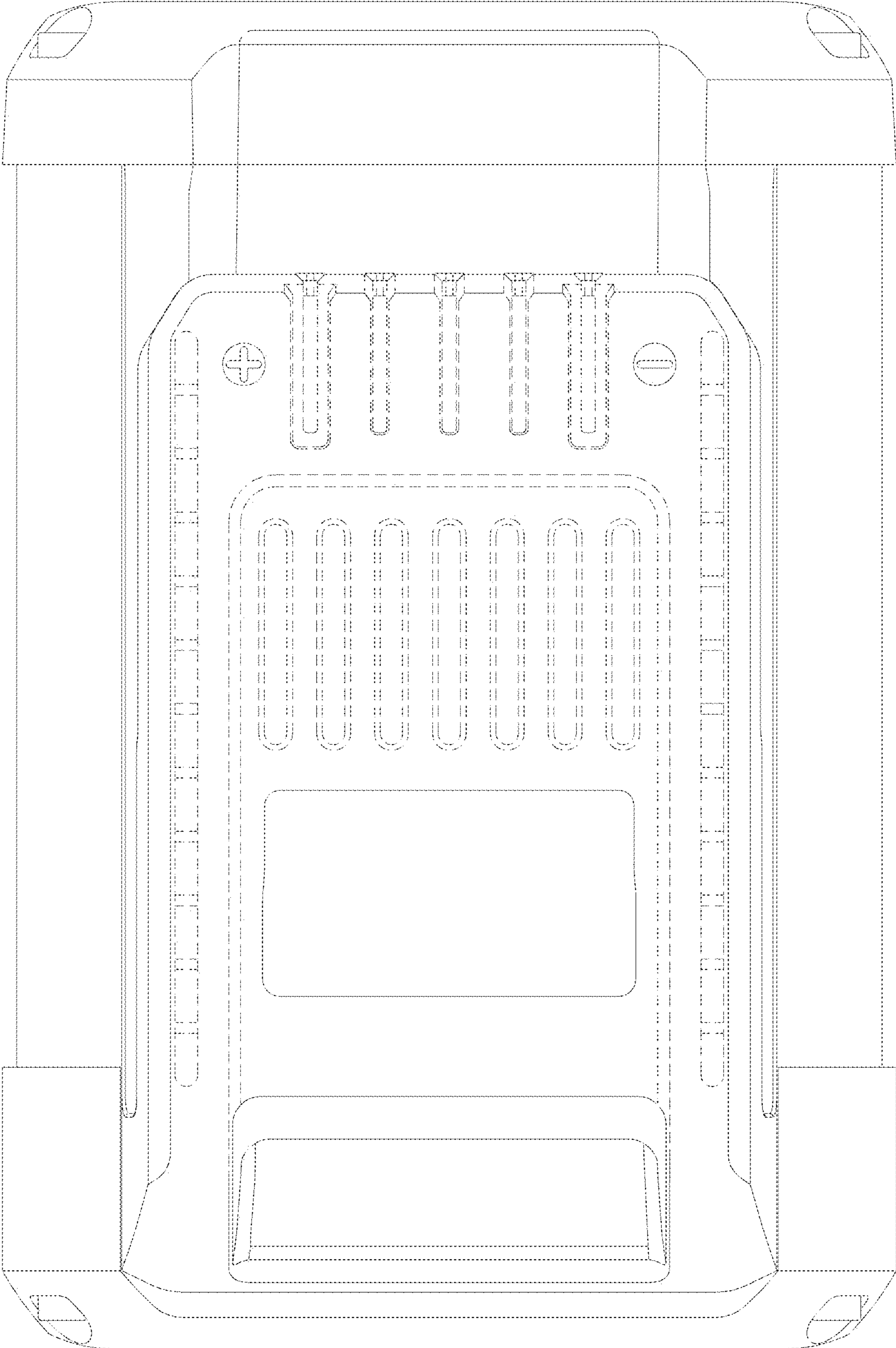


FIG. 6

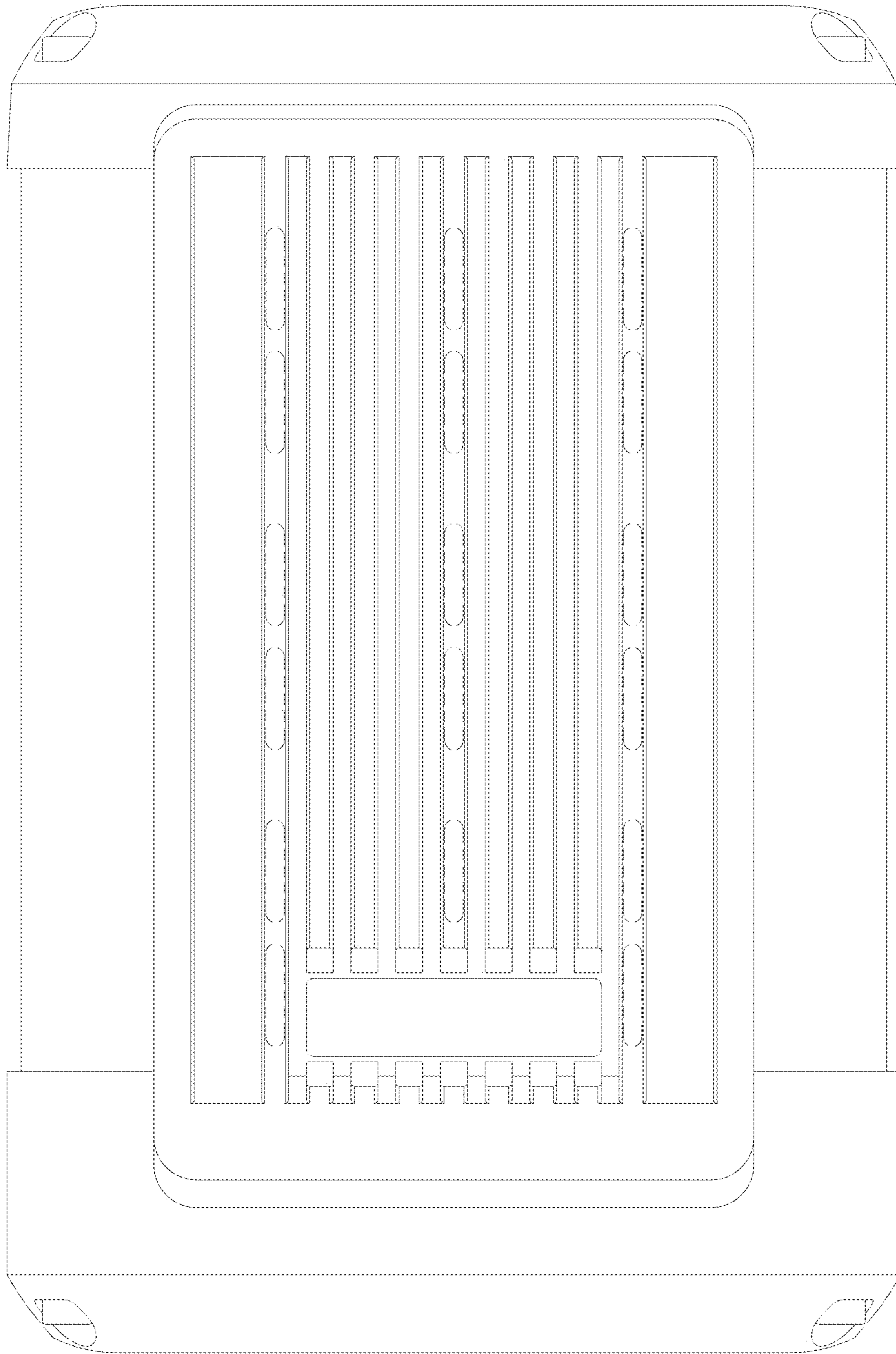


FIG. 7

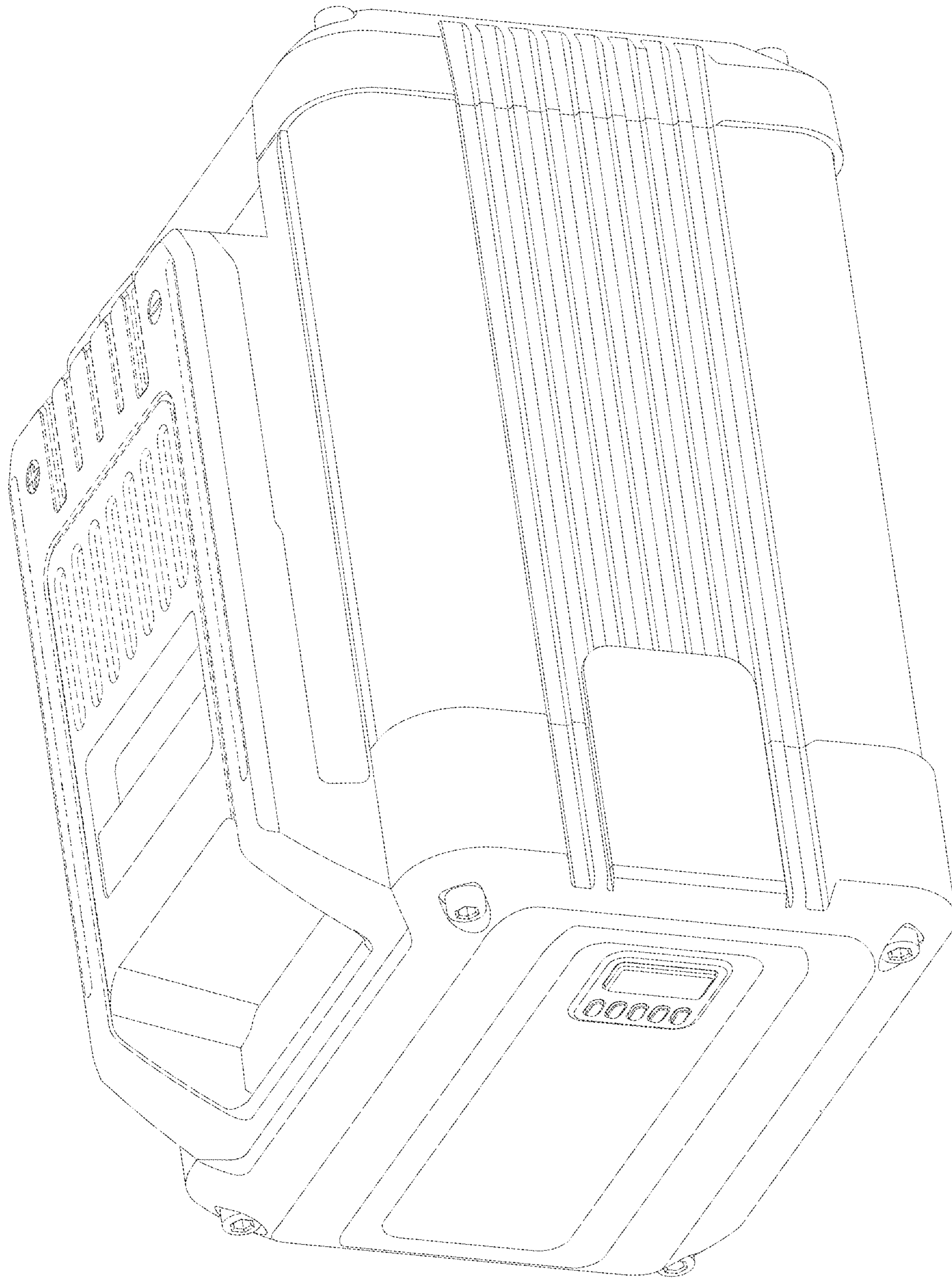


FIG. 8

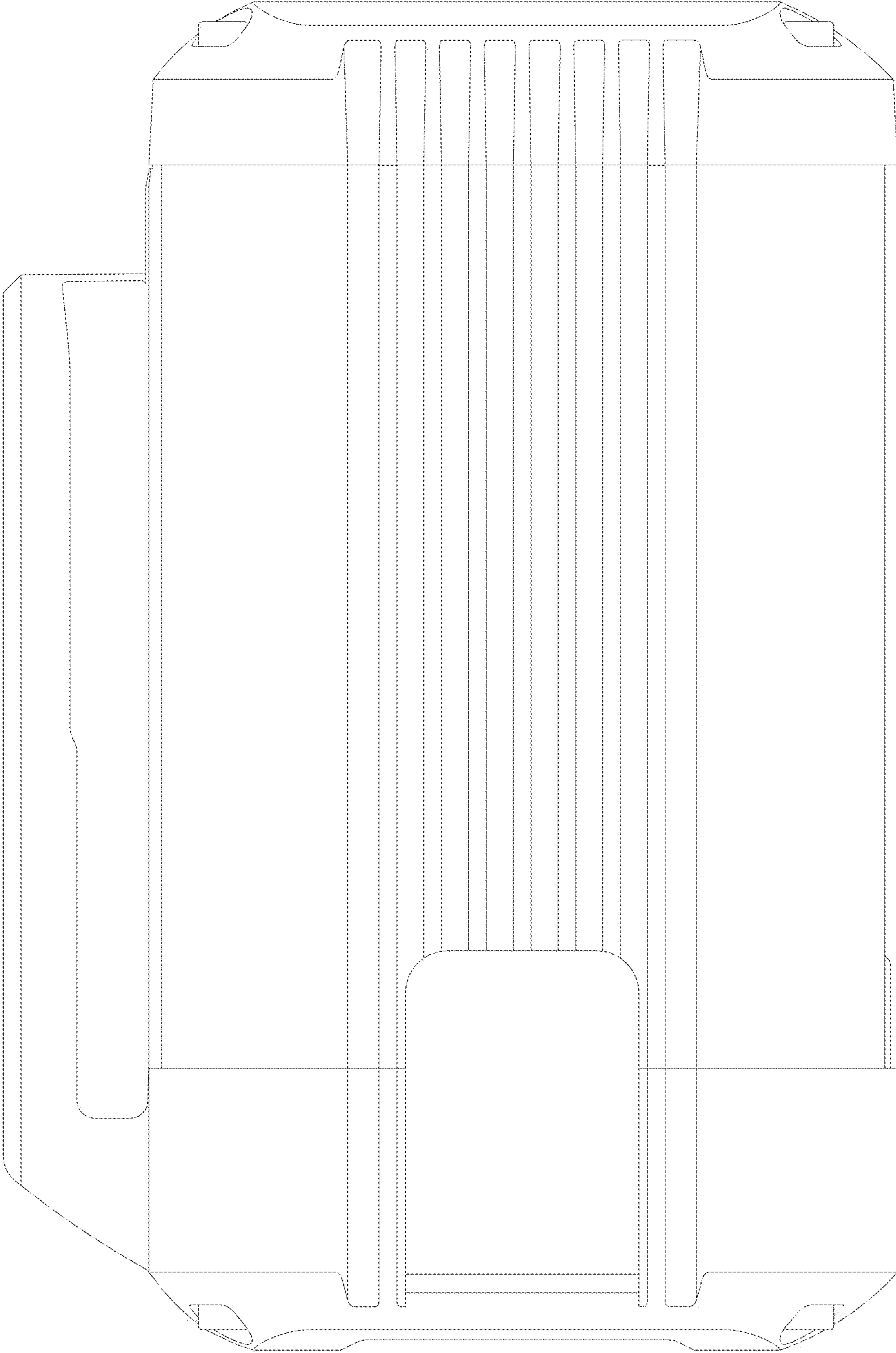


FIG. 9

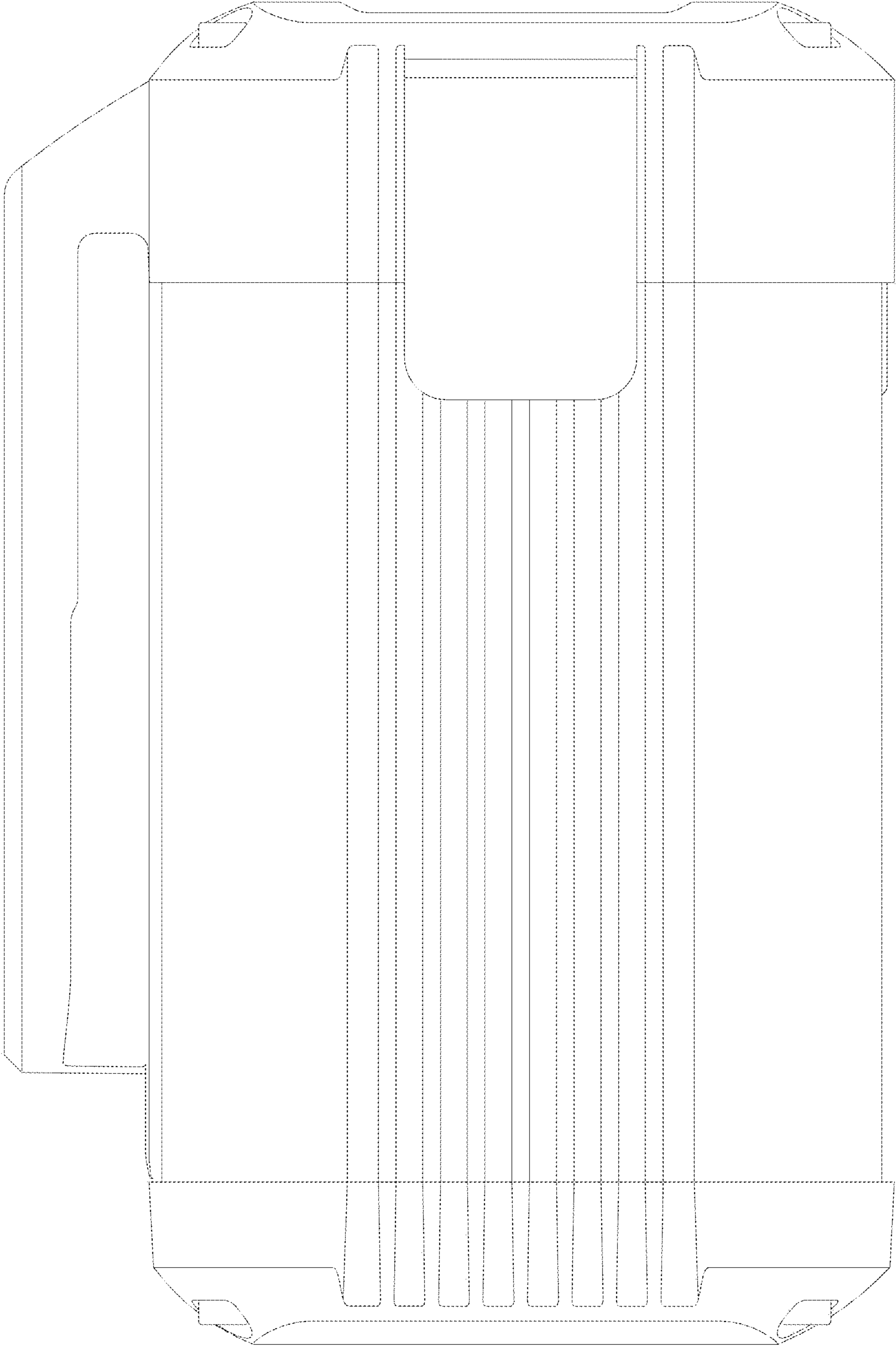


FIG. 10

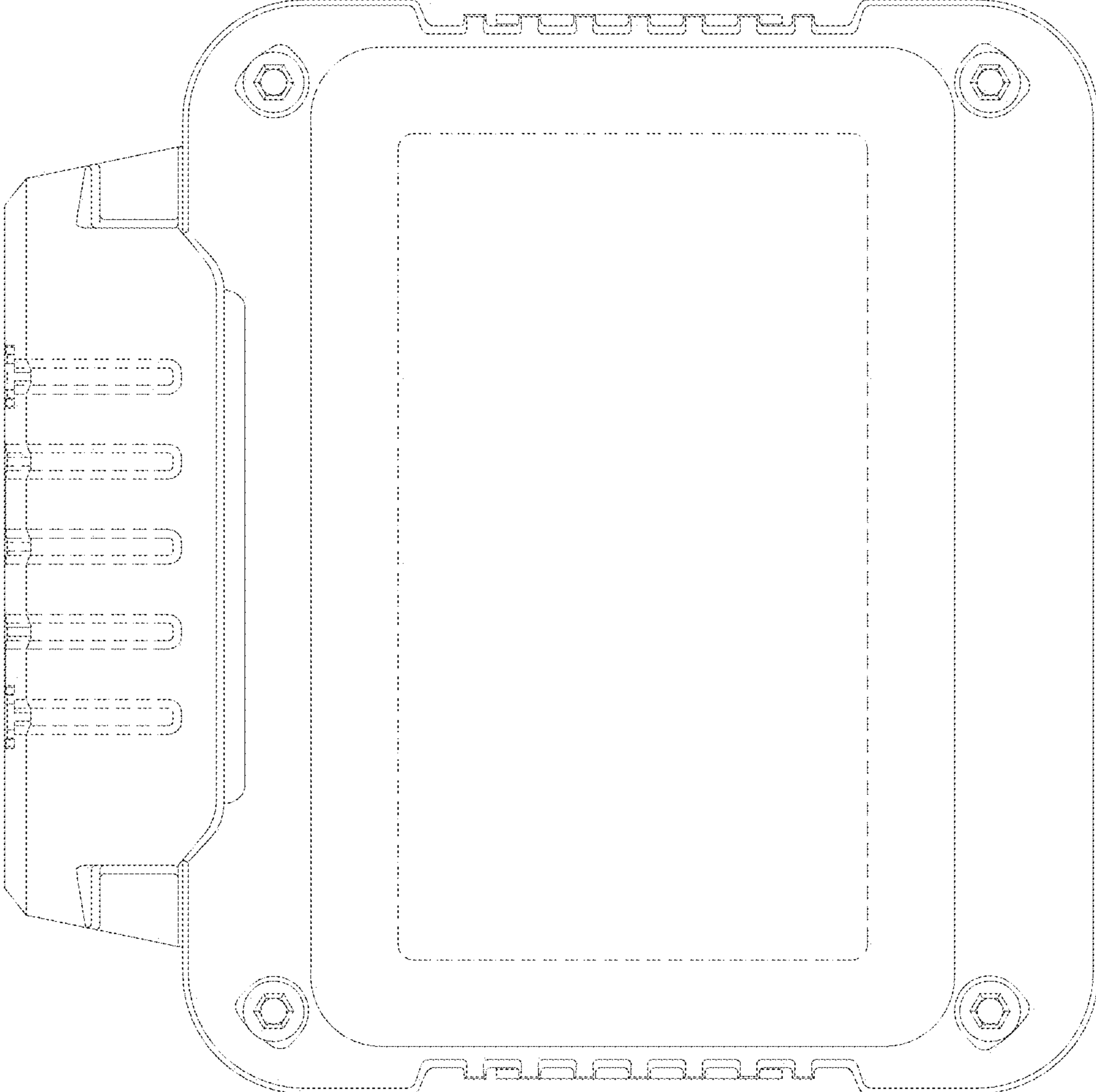


FIG. 11

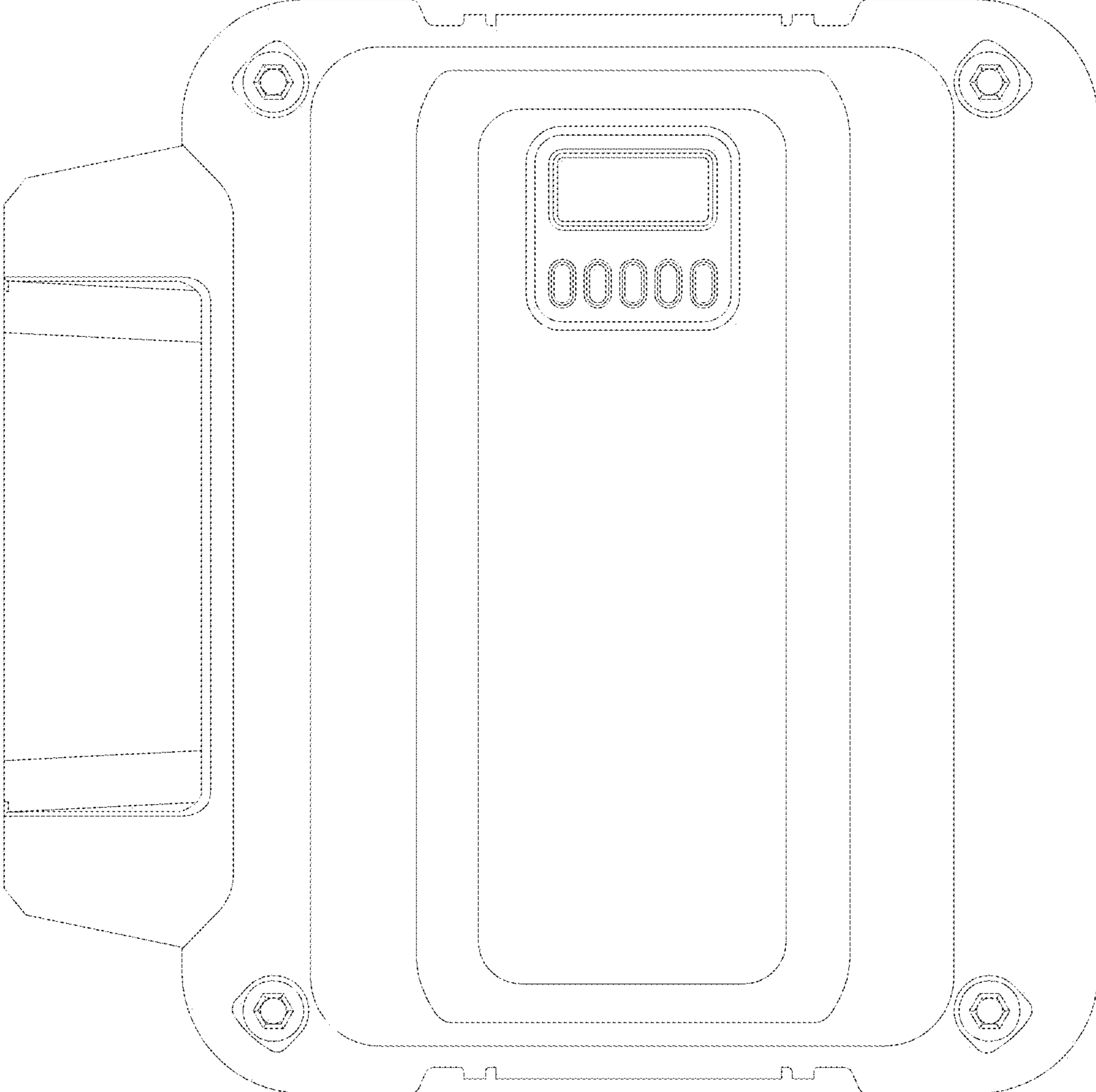


FIG. 12

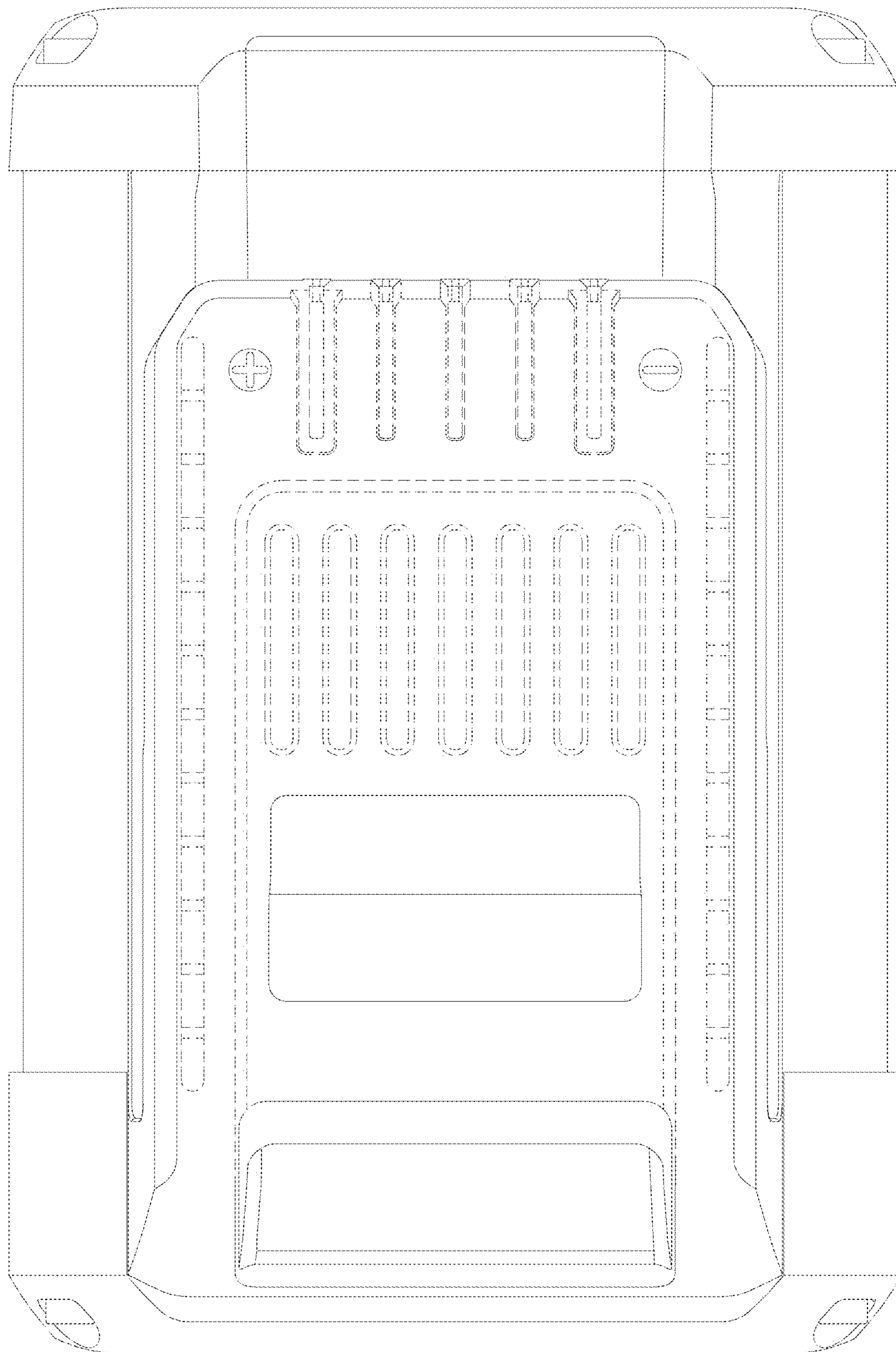


FIG. 13

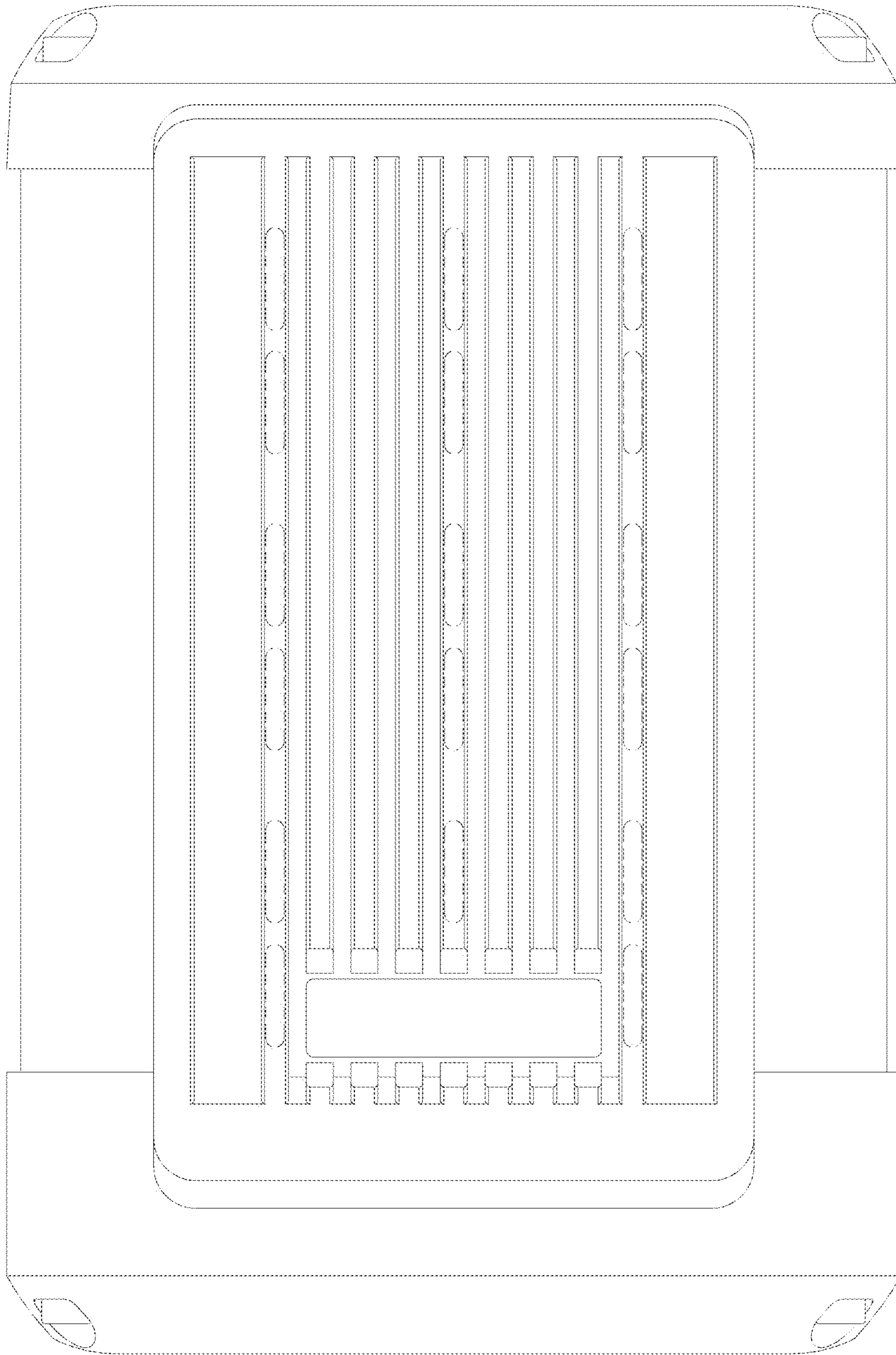


FIG. 14