



US00D953252S

(12) **United States Design Patent** (10) **Patent No.:** **US D953,252 S**
Wei (45) **Date of Patent:** **** May 31, 2022**

(54) **SOLAR POWER MODULE**

(71) Applicant: **ZhiYong Wei, Zhuji (CN)**

(72) Inventor: **ZhiYong Wei, Zhuji (CN)**

(**) Term: **15 Years**

(21) Appl. No.: **29/782,492**

(22) Filed: **May 6, 2021**

(51) **LOC (13) Cl.** **13-02**

(52) **U.S. Cl.**
USPC **D13/102**

(58) **Field of Classification Search**
USPC D13/102, 101, 103, 107, 108, 184, 199;
D26/63, 67, 68, 71, 72; D8/840
CPC H01L 31/00; H01L 31/18; H01L 31/042;
H01L 31/045; H01L 31/048; H01L
31/052; H01L 31/054; H01L 31/0475;
H01L 31/0485; H01M 10/052; H01M
10/465; H02S 30/10; H02S 30/20; H02S
10/40; H02S 40/42; Y02E 10/50; Y02E
10/52; Y10S 136/291; Y10S 136/293;
H02J 7/355; G06F 1/1628; F21S 8/006;
F21S 8/081; F21S 8/083; F21S 8/088;
F21V 17/06

See application file for complete search history.

(56) **References Cited**

U.S. PATENT DOCUMENTS

D309,789 S * 8/1990 Luce D26/68
D311,722 S * 10/1990 Cheng D13/102
D324,432 S * 3/1992 Frost D26/67
D391,921 S * 3/1998 Zimmer D13/102
D415,018 S * 10/1999 Uhler D21/840

D533,675 S * 12/2006 Didier D26/67
D543,500 S * 5/2007 Parness D13/102
D582,842 S * 12/2008 Wei D13/102
D618,166 S * 6/2010 Sanoner D13/102
D652,376 S * 1/2012 Nomi D13/102
D656,652 S * 3/2012 Rosenlof D26/71
D686,979 S * 7/2013 Chilton D13/102
D764,694 S * 8/2016 Tsai D26/67
D909,960 S 2/2021 Swatek
2019/0101265 A1* 4/2019 Steele F21V 17/06

* cited by examiner

Primary Examiner — Derrick E Holland

(57) **CLAIM**

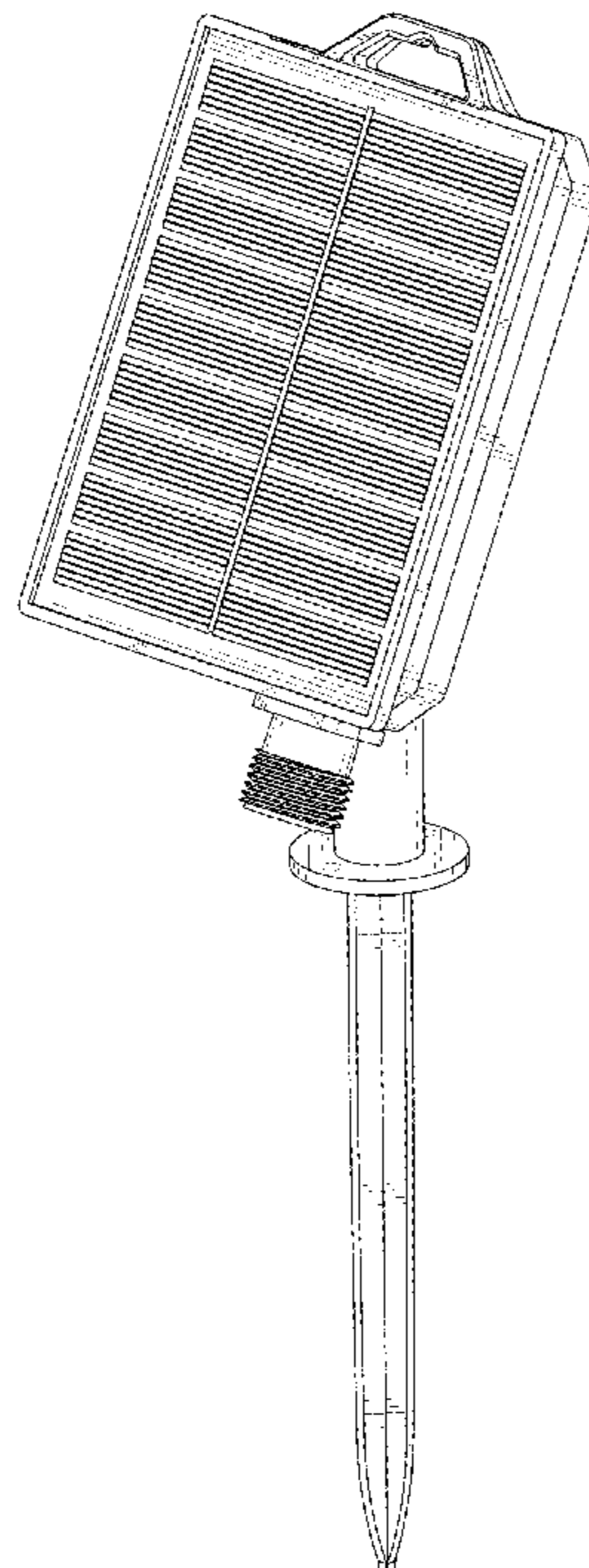
The ornamental design for a solar power module, as shown and described.

DESCRIPTION

FIG. 1 is a front and top perspective view of a solar power module, showing my new design;
FIG. 2 is a rear and bottom perspective view thereof;
FIG. 3 is a front elevation view thereof;
FIG. 4 is a rear elevation view thereof;
FIG. 5 is a left side elevation view thereof;
FIG. 6 is a right side elevation view thereof;
FIG. 7 is a top plan view thereof; and
FIG. 8 is a bottom plan view thereof; and,
FIG. 9 is an enlarged view of a portion labeled, 'FIG. 9' in FIG. 2.

The broken lines in the figures illustrate portions of the article that form no part of the claimed design. The dash dot dash lines in FIGS. 2 and 9 are for the purpose of depicting the cut line of the enlarged view and form no part of the claim.

1 Claim, 9 Drawing Sheets



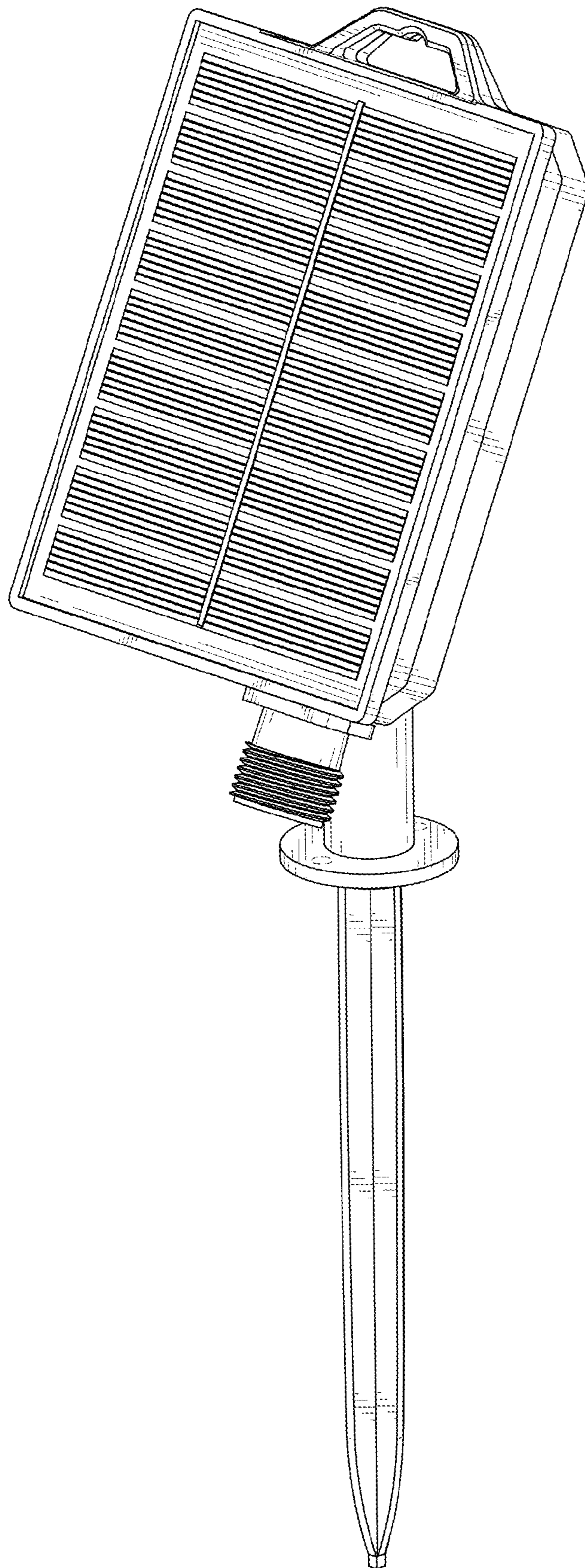


FIG. 1

FIG. 9

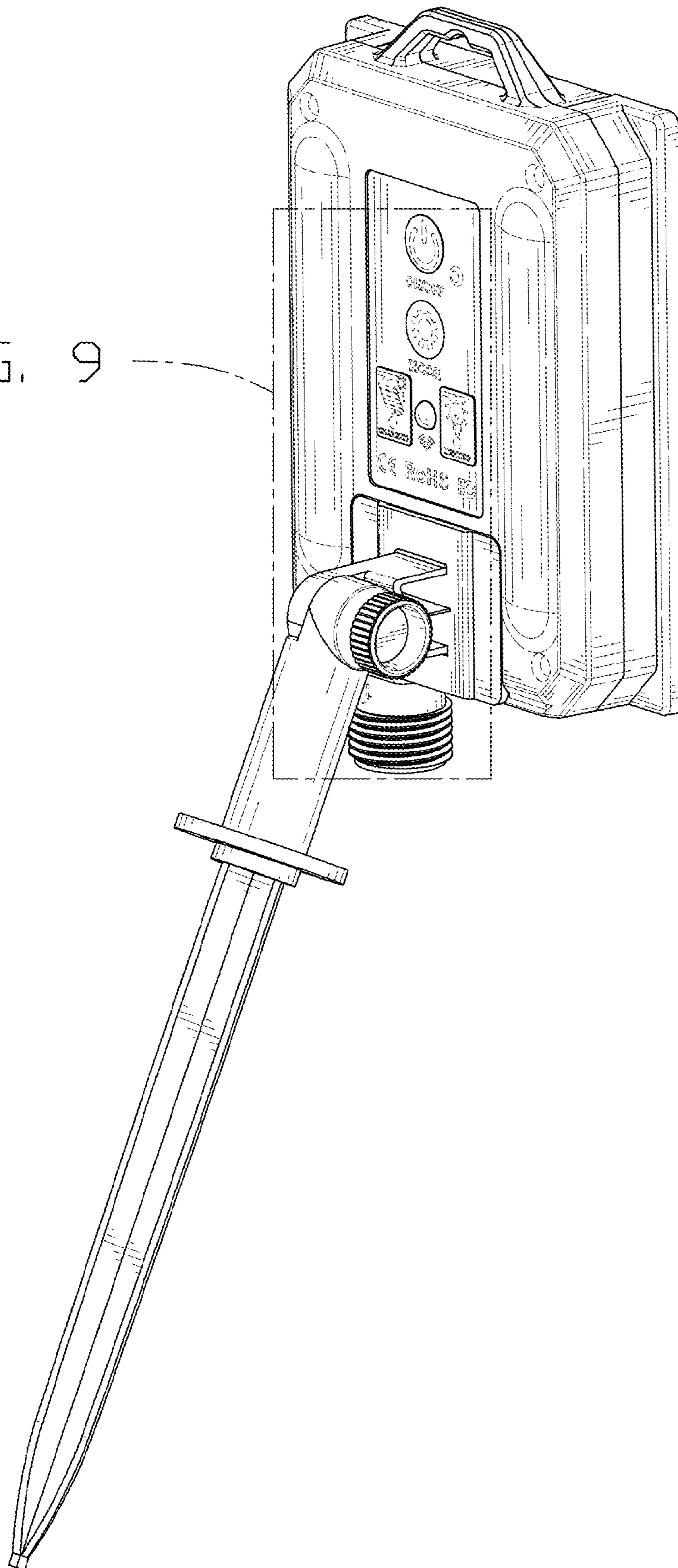


FIG. 2

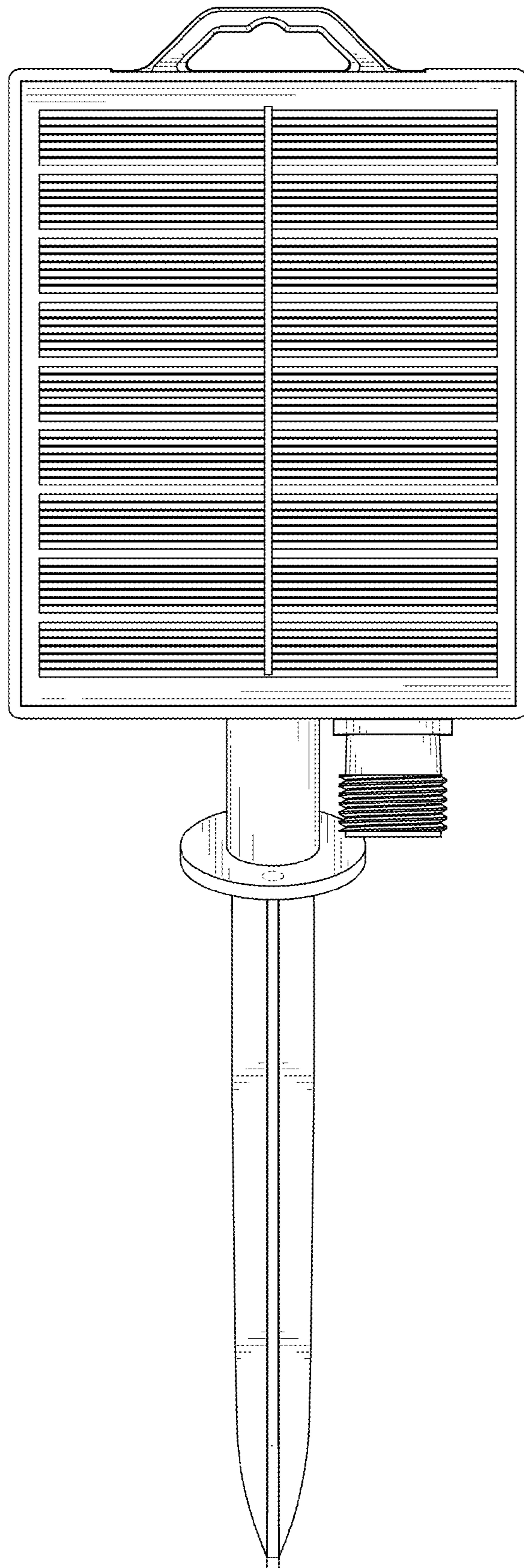


FIG. 3

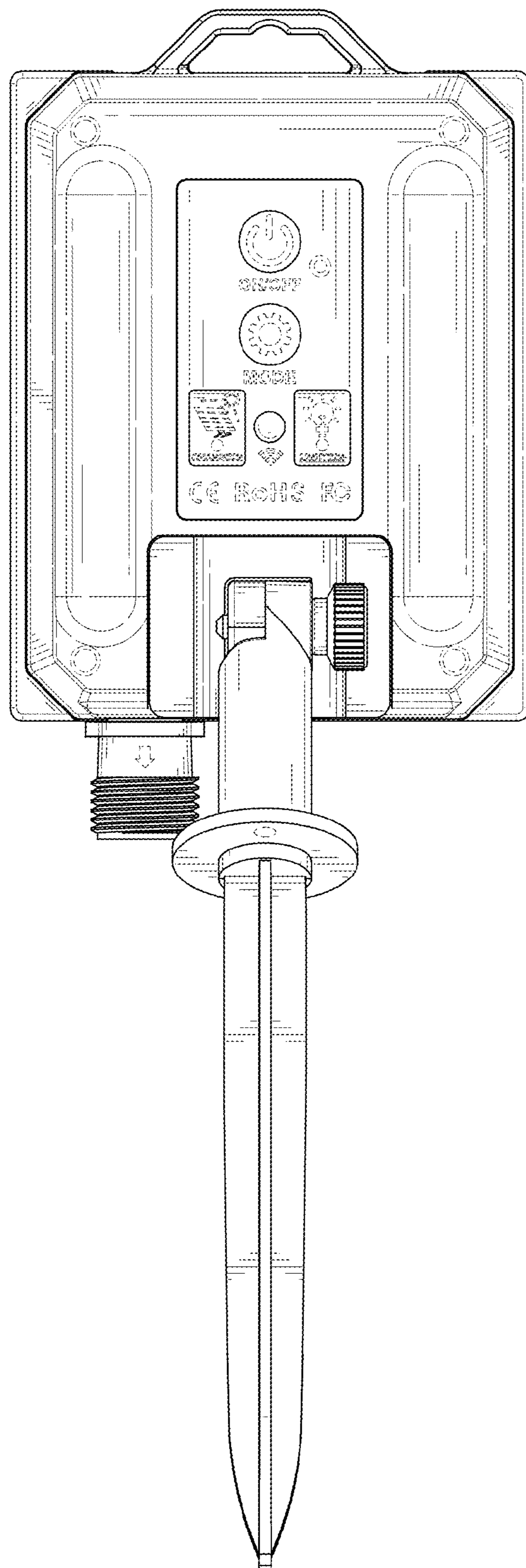


FIG. 4

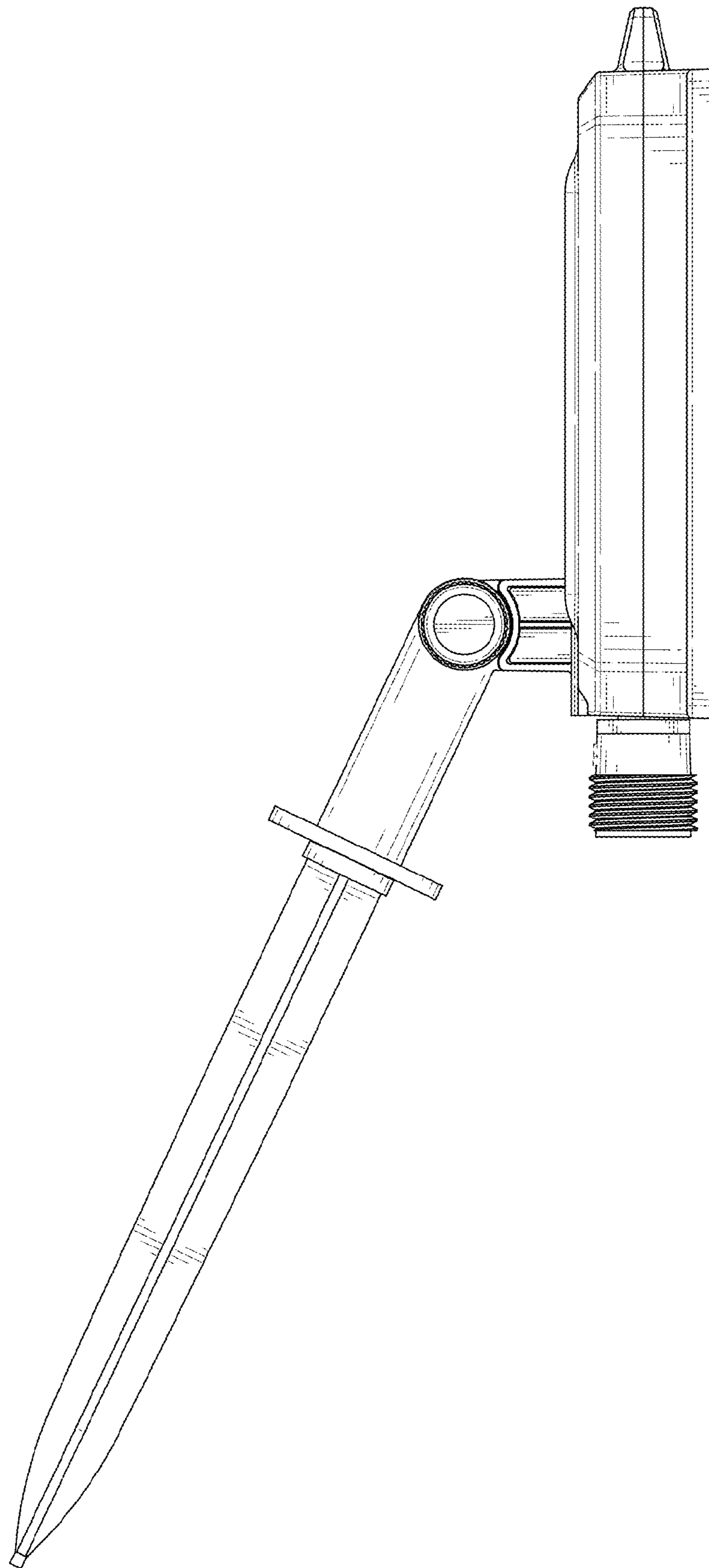


FIG. 5

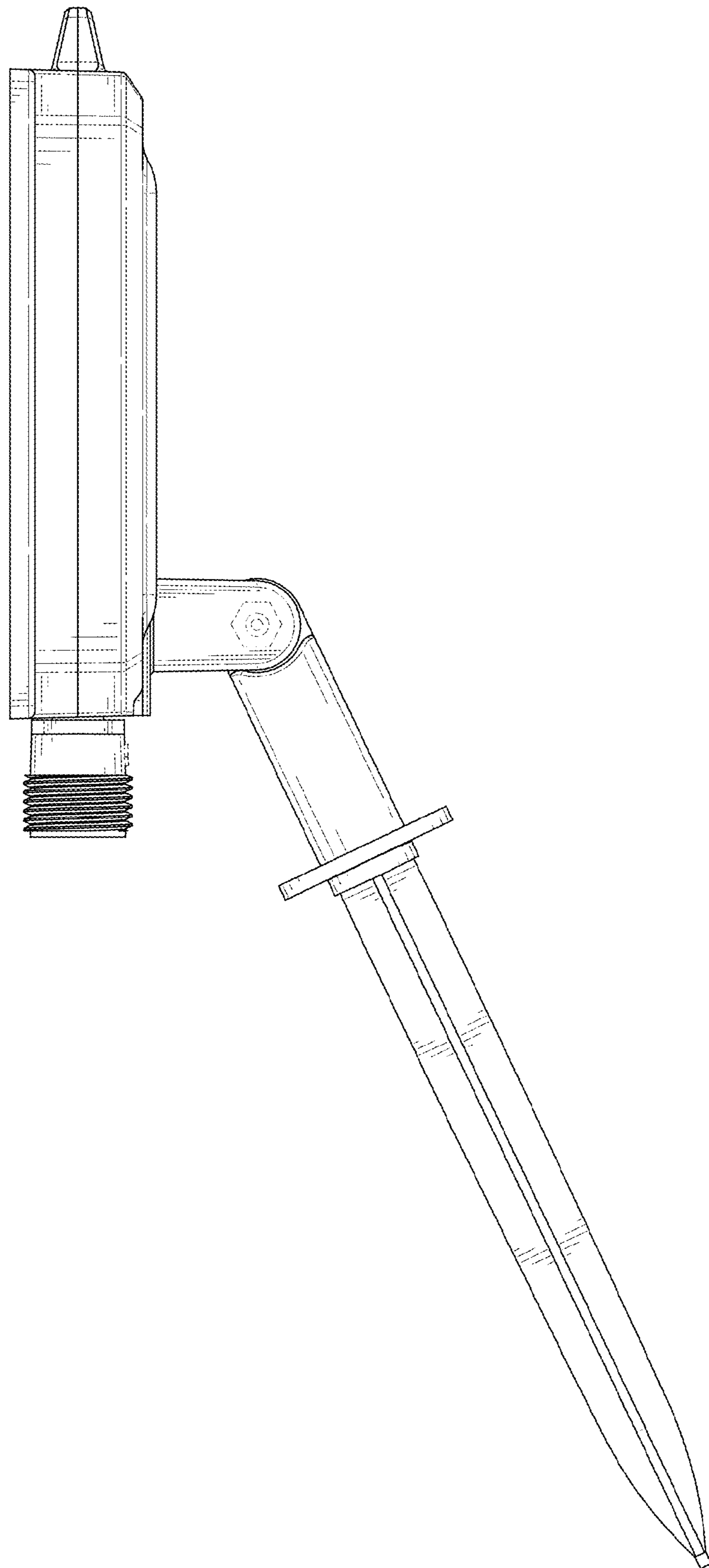


FIG. 6

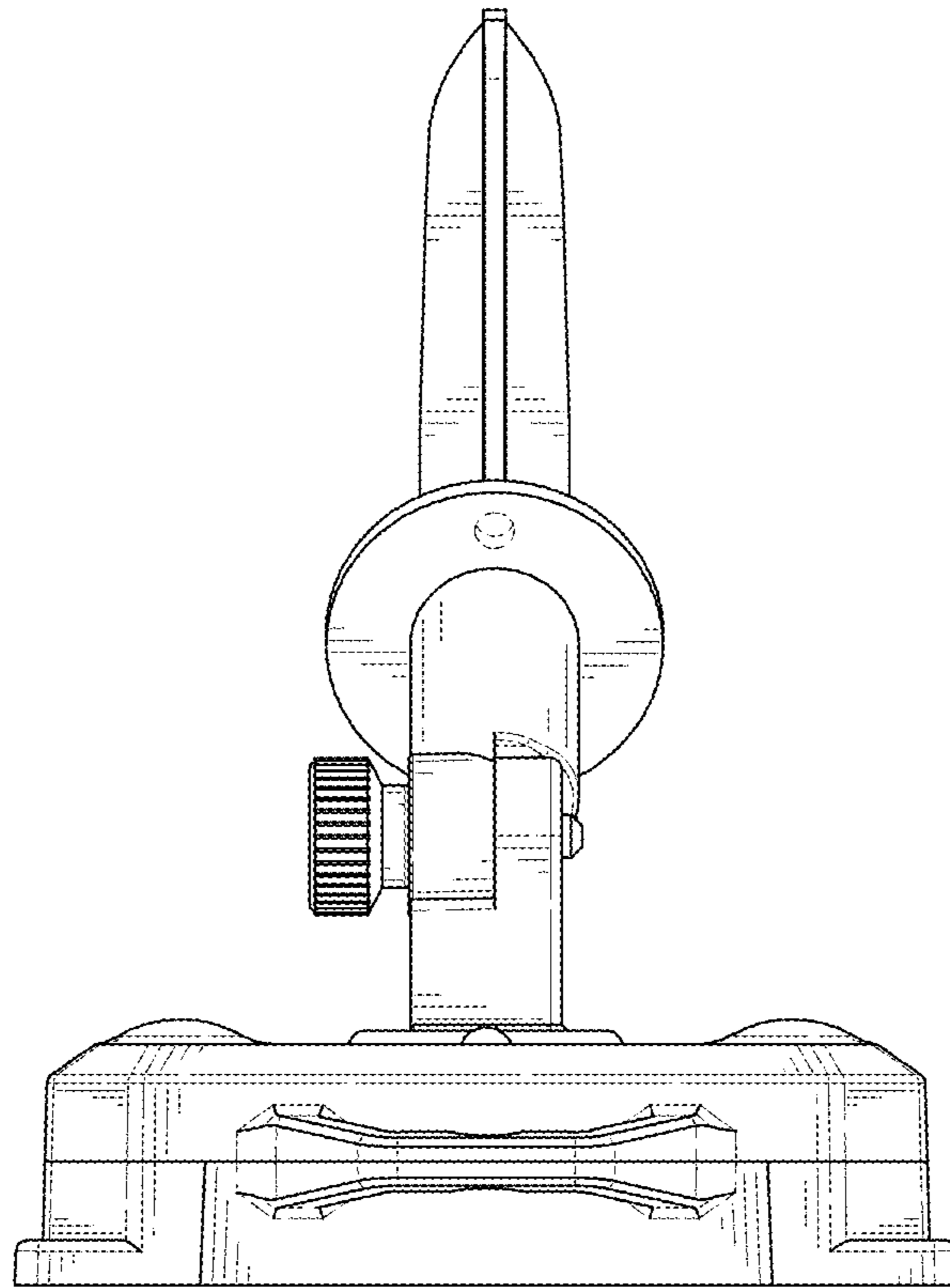


FIG. 7

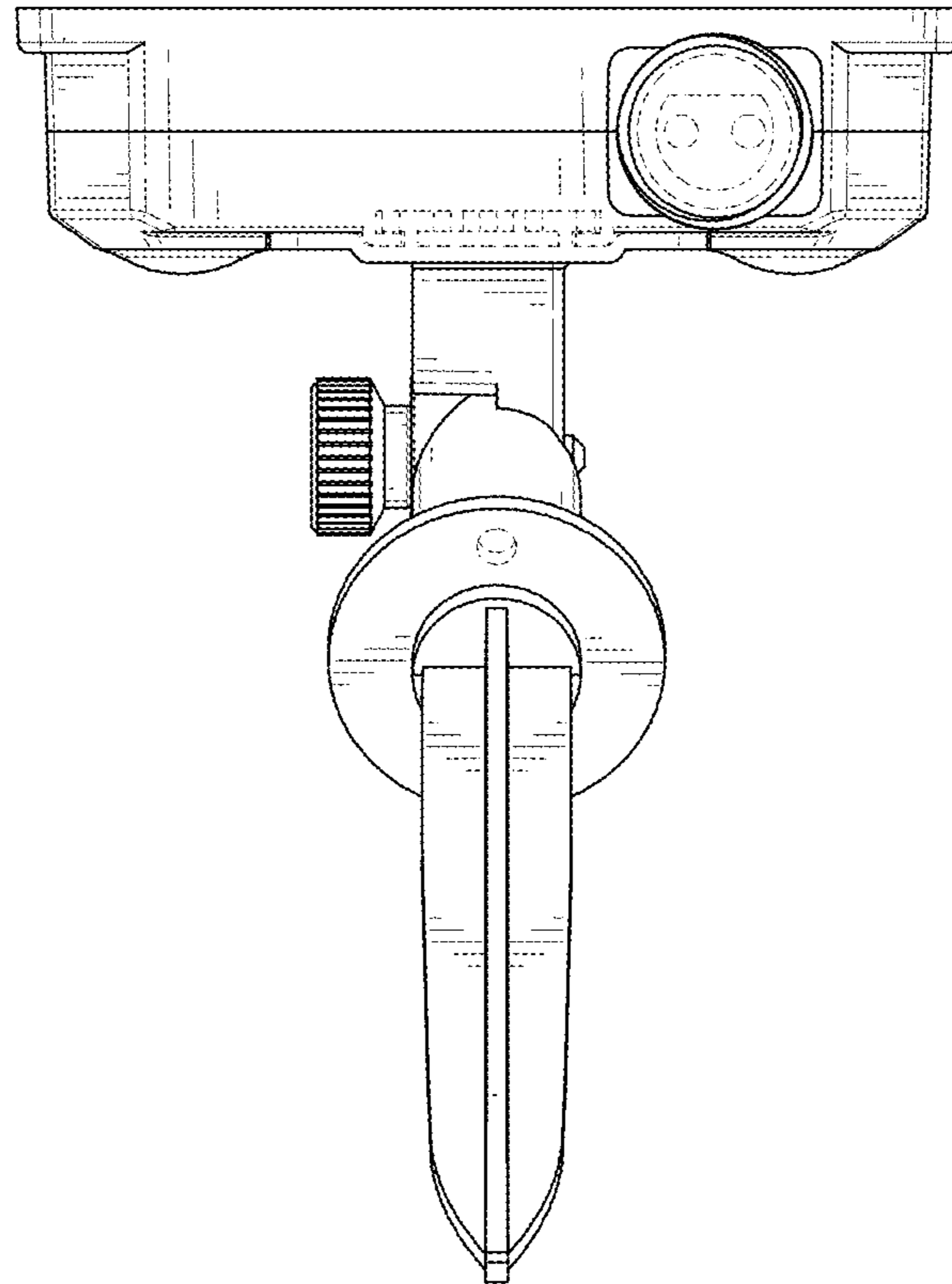


FIG. 8

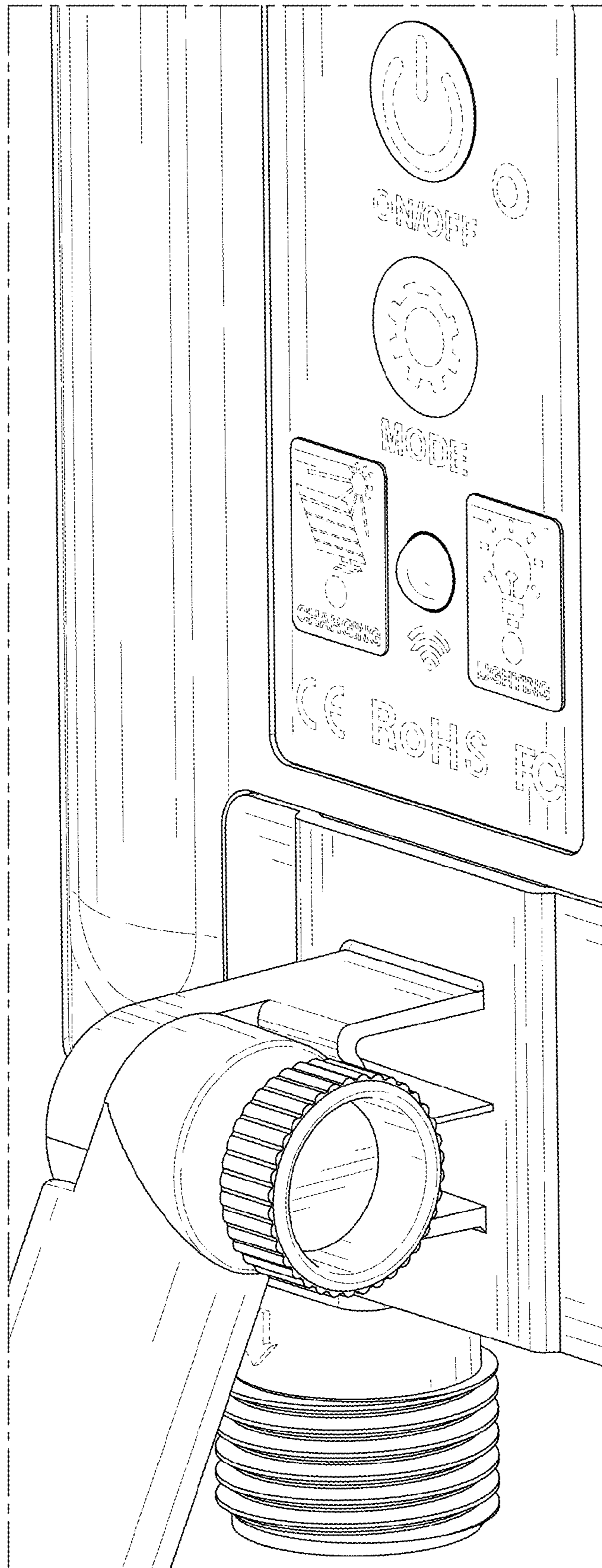


FIG. 9