



US00D953239S

(12) **United States Design Patent** (10) **Patent No.:** **US D953,239 S**
Ackeret et al. (45) **Date of Patent:** **** May 31, 2022**

- (54) **VEHICLE MOUNT**
- (71) Applicant: **Kinetix AG**, Chur (CH)
- (72) Inventors: **Peter Ackeret**, Zurich (CH); **Michael Andreas Keller**, Freudenstadt (DE); **Walter Funk**, Simmersfeld (DE)
- (73) Assignee: **KINETIX AG**, Chur (CH)
- (**) Term: **15 Years**
- (21) Appl. No.: **29/689,211**
- (22) Filed: **Apr. 29, 2019**

- D654,503 S 2/2012 Sapper
- D655,282 S 3/2012 Richter
- D655,283 S 3/2012 Richter
- D659,571 S 5/2012 Hoggarth
- D678,888 S 3/2013 Hung
- (Continued)

Related U.S. Application Data

- (62) Division of application No. 35/502,438, filed on Aug. 12, 2016 (U.S. filing date under 35 U.S.C. 384), and having an international filing date of Aug. 12, 2016, now Pat. No. Des. 854,537.

Foreign Application Priority Data

- (30) Feb. 16, 2016 (DE) 40 2016 100 156.7

- (51) **LOC (13) Cl.** **12-16**
- (52) **U.S. Cl.**
USPC **D12/416**

- (58) **Field of Classification Search**
USPC D14/251-253, 224, 224.1, 432-434, 447, D14/451, 452; D12/415, 426.1, 223, 406, D12/407; D16/242, 244, 245; D3/218; D13/108
CPC B60R 11/00; B60R 11/02; B60R 11/0241; B60R 11/0252; B60R 2011/0003; B60R 2011/0005; B60R 2011/0008; B60R 7/04; H04M 1/04; F16M 11/00; F16M 11/04; F16M 11/041; F16M 11/06
See application file for complete search history.

References Cited

- (56) **U.S. PATENT DOCUMENTS**
6,748,691 B2 * 6/2004 Doucette A01K 87/08 43/21.2
D614,613 S 4/2010 Kim et al.

FOREIGN PATENT DOCUMENTS

- CN 304482933 1/2018
- WO WO D092188-001 2/2017
- WO WO D092188-002 2/2017

OTHER PUBLICATIONS

- U.S. Appl. No. 29/689,209, filed Apr. 29, 2019.
- U.S. Appl. No. 29/689,219, filed Apr. 29, 2019.
- Primary Examiner* — Rebekah A Caruso
- (74) *Attorney, Agent, or Firm* — Leydig, Voit & Mayer, Ltd.

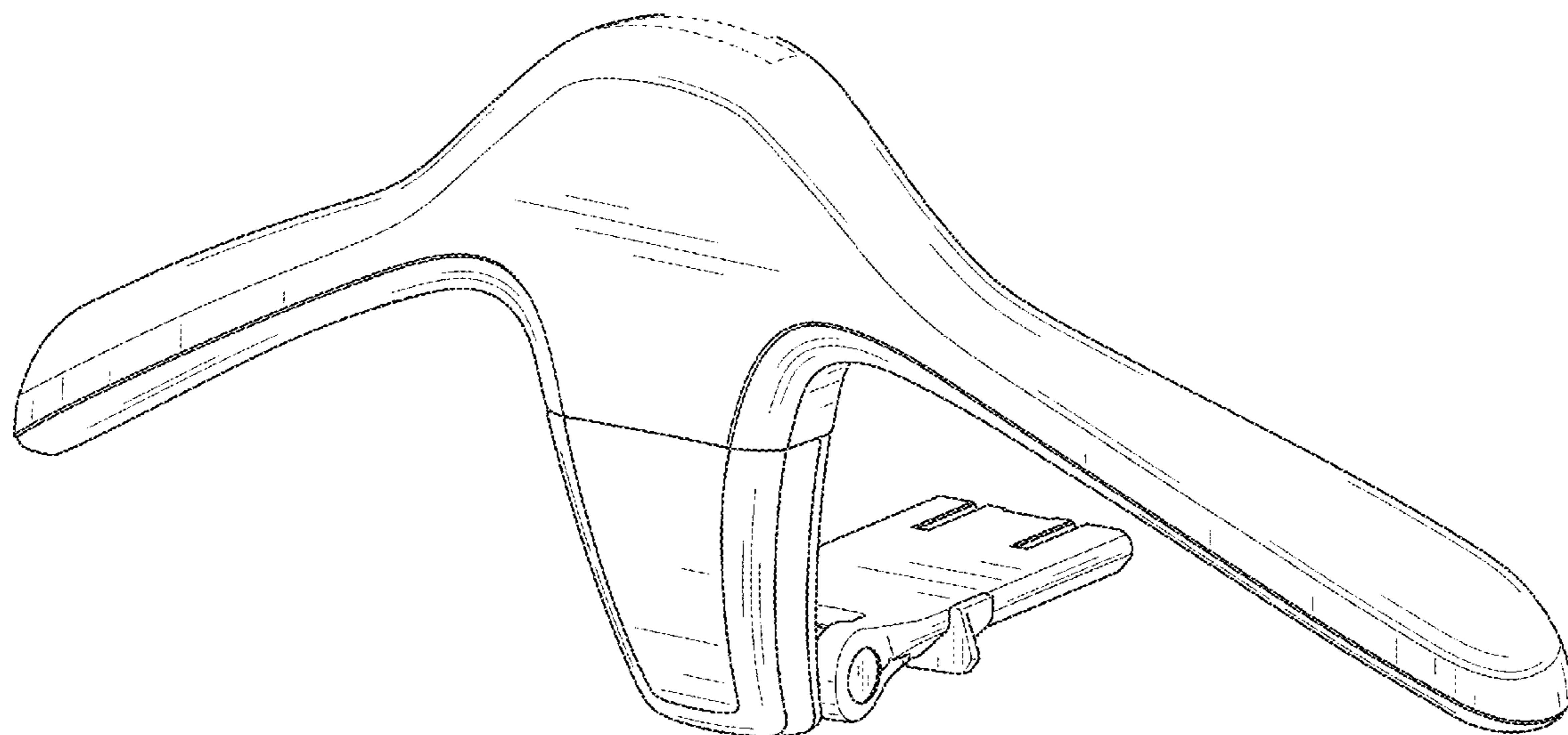
CLAIM

(57) The ornamental design for a vehicle mount, as shown and described.

DESCRIPTION

FIG. 1 is a front-top-right perspective view of a vehicle mount showing our new design;
 FIG. 2 is a left-side view thereof;
 FIG. 3 is a right-side view thereof;
 FIG. 4 is a front view thereof;
 FIG. 5 is a back view thereof;
 FIG. 6 is a top view thereof; and,
 FIG. 7 is a bottom view thereof.
 The broken lines shown in the drawings depict portions of the vehicle mount that form no part of the claimed design.

1 Claim, 7 Drawing Sheets



(56)

References Cited

U.S. PATENT DOCUMENTS

8,561,863 B2	10/2013	Lacolla et al.	D780,168 S	2/2017	Du	
D716,215 S	10/2014	Dunn	D780,743 S	3/2017	Chun	
D718,297 S	11/2014	Aspinall et al.	D783,012 S	4/2017	Lee	
D718,298 S	11/2014	Aspinall et al.	D783,014 S	4/2017	Chun	
D720,000 S	12/2014	Lyons	D784,923 S	4/2017	Song	
D726,175 S	4/2015	Tsai et al.	D796,421 S	9/2017	Huang	
D732,013 S	6/2015	Aspinall et al.	D797,750 S *	9/2017	Wengreen	D14/447
D732,519 S	6/2015	Aspinall et al.	D799,466 S	10/2017	Sukphist et al.	
D733,115 S	6/2015	Aspinall et al.	D799,467 S	10/2017	Lou	
D738,873 S	9/2015	Kim et al.	D807,373 S	1/2018	Thetard et al.	
9,156,409 B2 *	10/2015	Ackeret	D815,087 S	4/2018	Gu	
		B60R 7/10	D817,317 S	5/2018	Lee	
D751,702 S	3/2016	Eaton	D828,865 S	9/2018	Zeng	
9,278,648 B2	3/2016	Ackeret et al.	D832,248 S	10/2018	Sukphist	
D755,797 S	5/2016	Liu	D833,369 S	11/2018	Lan	
D756,987 S *	5/2016	Taing	D838,267 S	1/2019	Zhang	
		D14/253	10,259,349 B2 *	4/2019	Harris	B60N 3/004
D759,002 S	6/2016	Won et al.	2010/0320341 A1	12/2010	Baumann et al.	
D762,652 S	8/2016	Dörre et al.	2011/0278885 A1	11/2011	Procter et al.	
D765,651 S	9/2016	Liu et al.	2013/0037590 A1	2/2013	Yoon	
D767,556 S *	9/2016	Lee	2013/0193174 A1 *	8/2013	Ackeret	B60R 7/04
		D14/253				224/275
D768,125 S	10/2016	Kim	2014/0015289 A1 *	1/2014	Fan	B60N 3/004
D769,860 S	10/2016	Xiao				297/188.05
D775,116 S	12/2016	Abrahams	2014/0145051 A1	5/2014	Gwag	
9,527,456 B2	12/2016	Ackeret et al.				

* cited by examiner

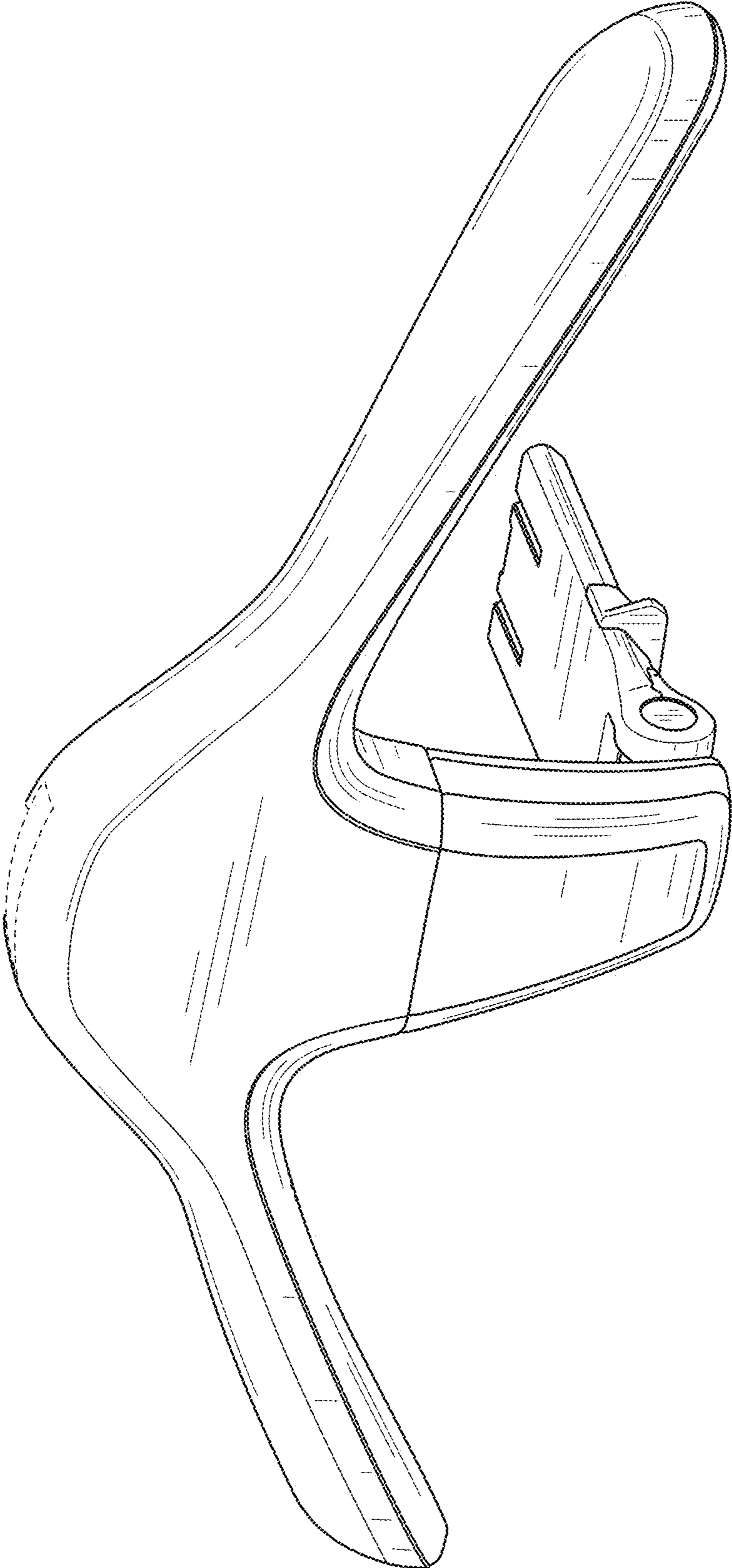


FIG. 1

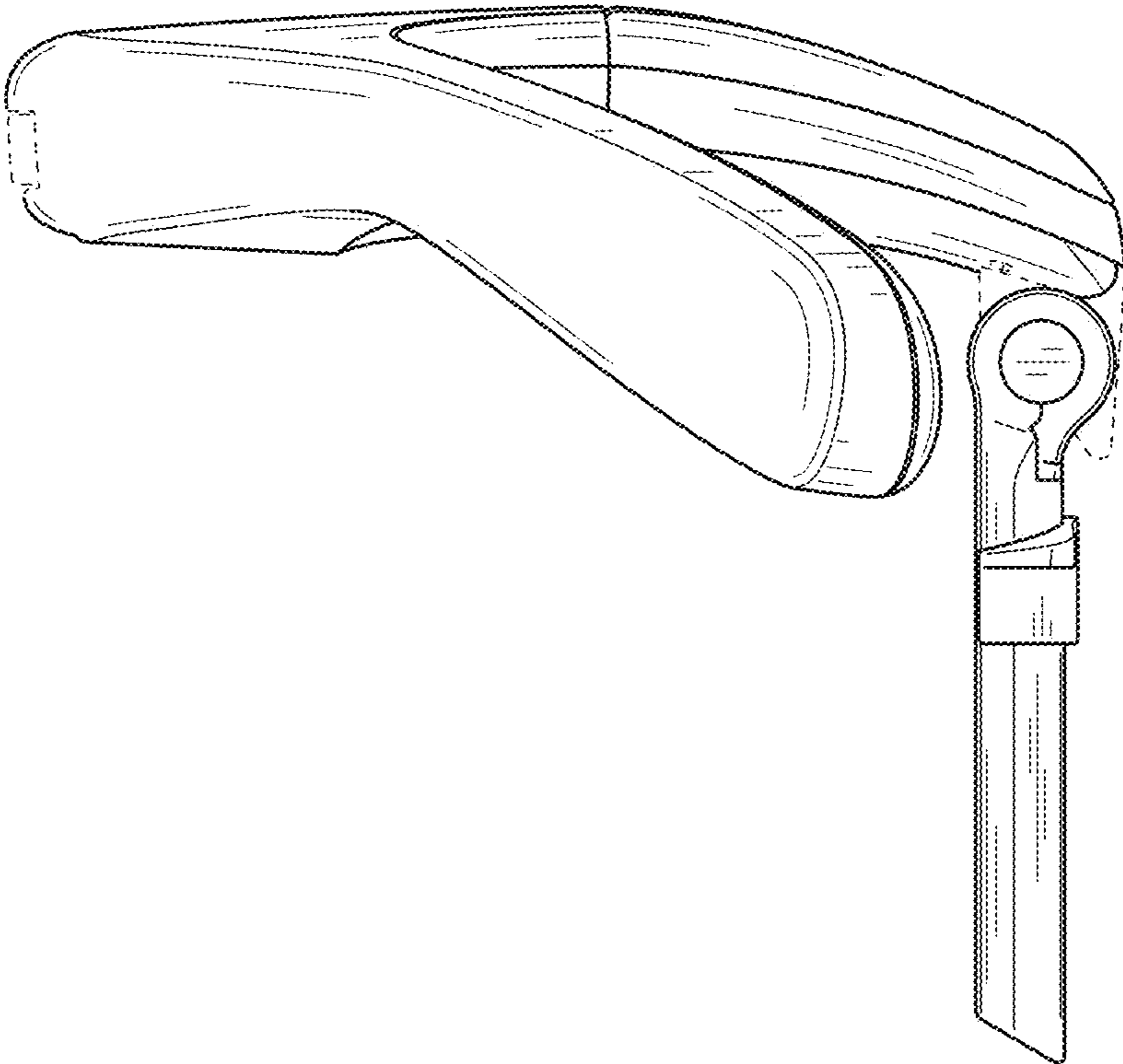


FIG. 2

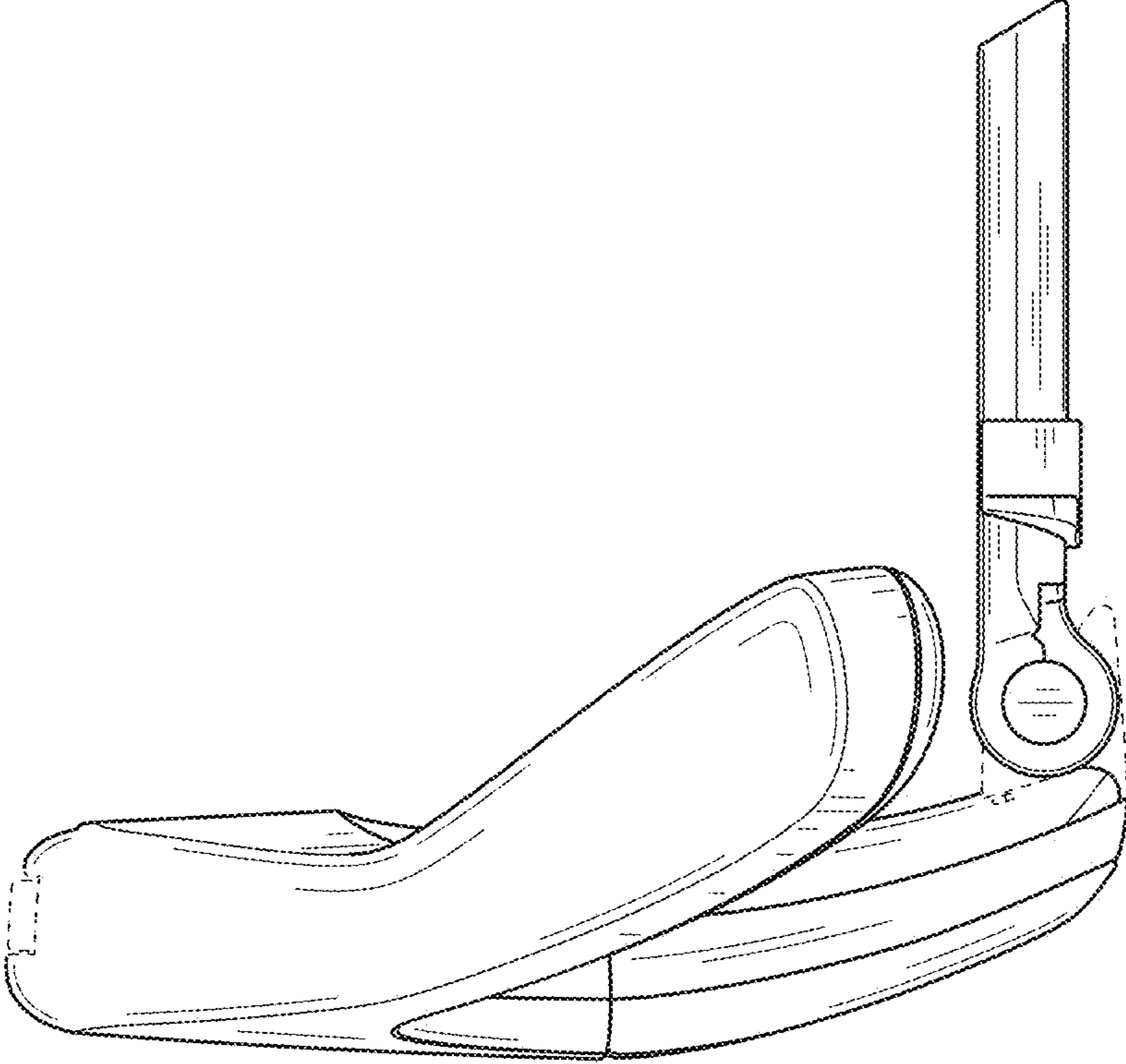


FIG. 3

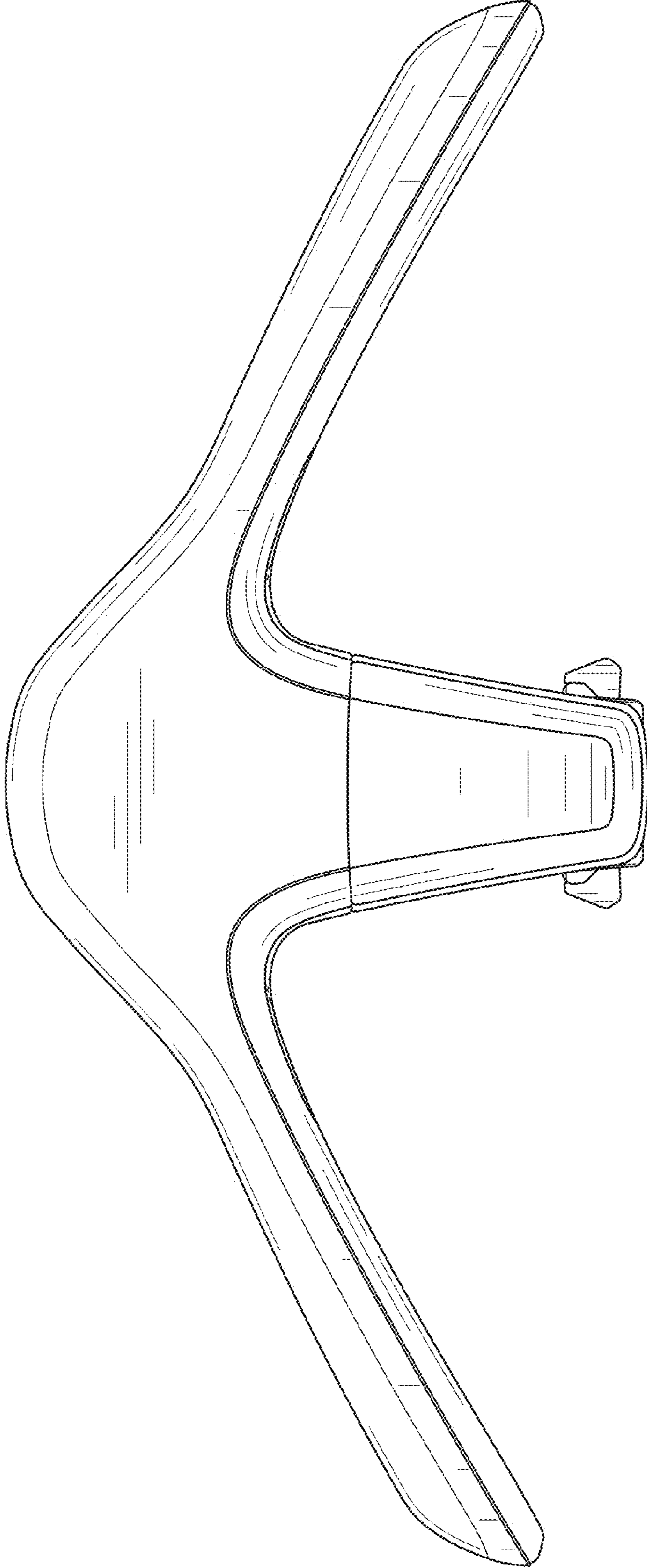


FIG. 4

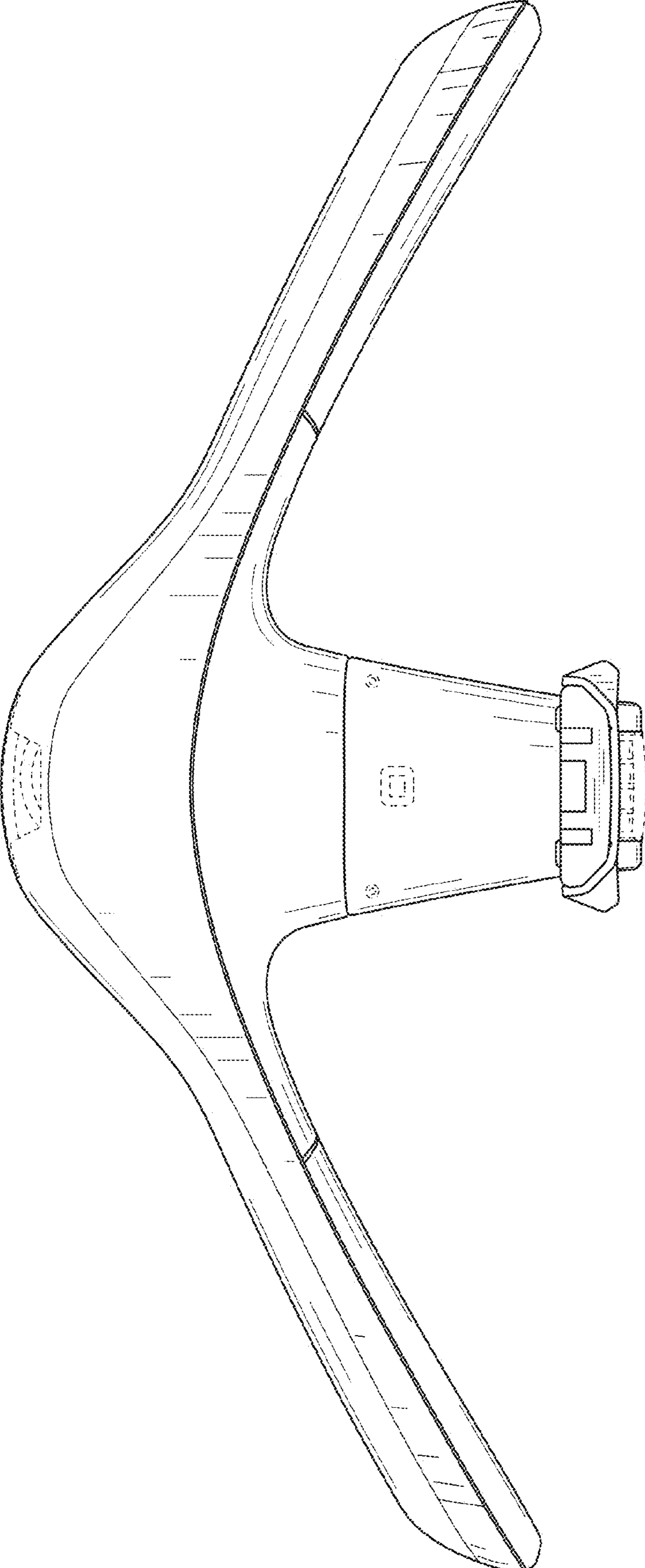


FIG. 5

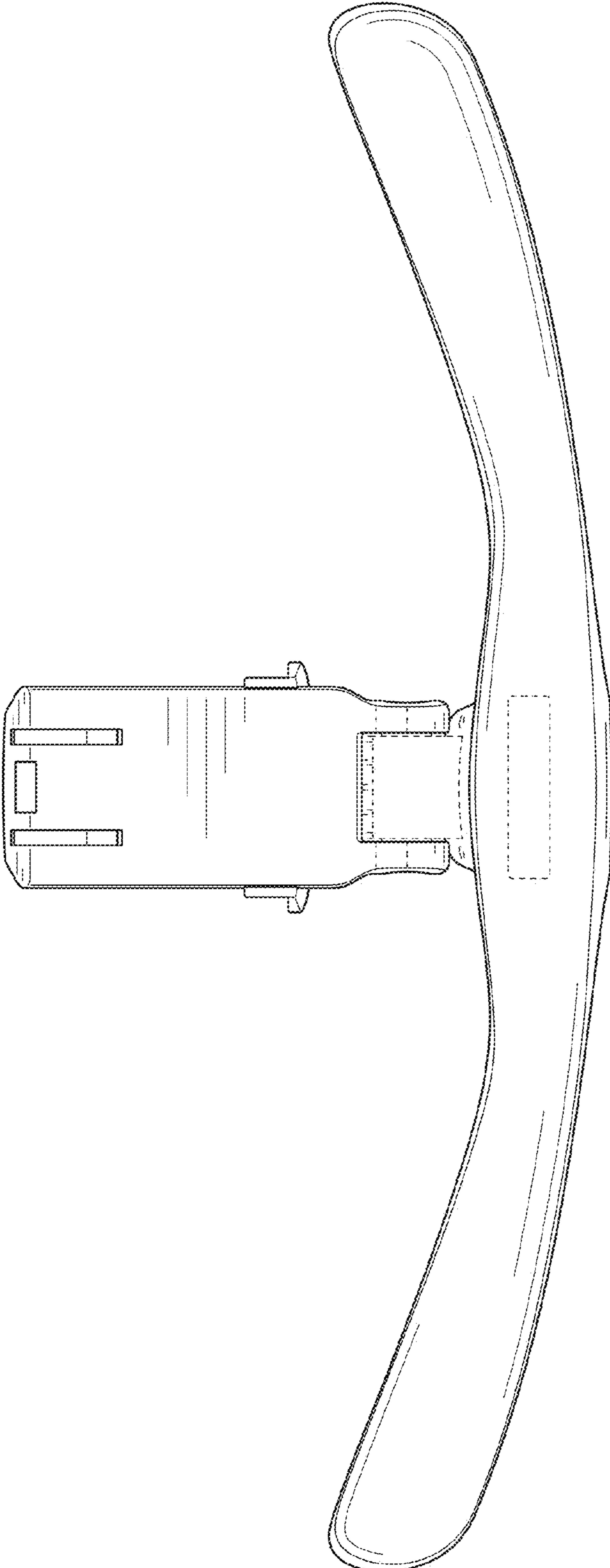


FIG. 6

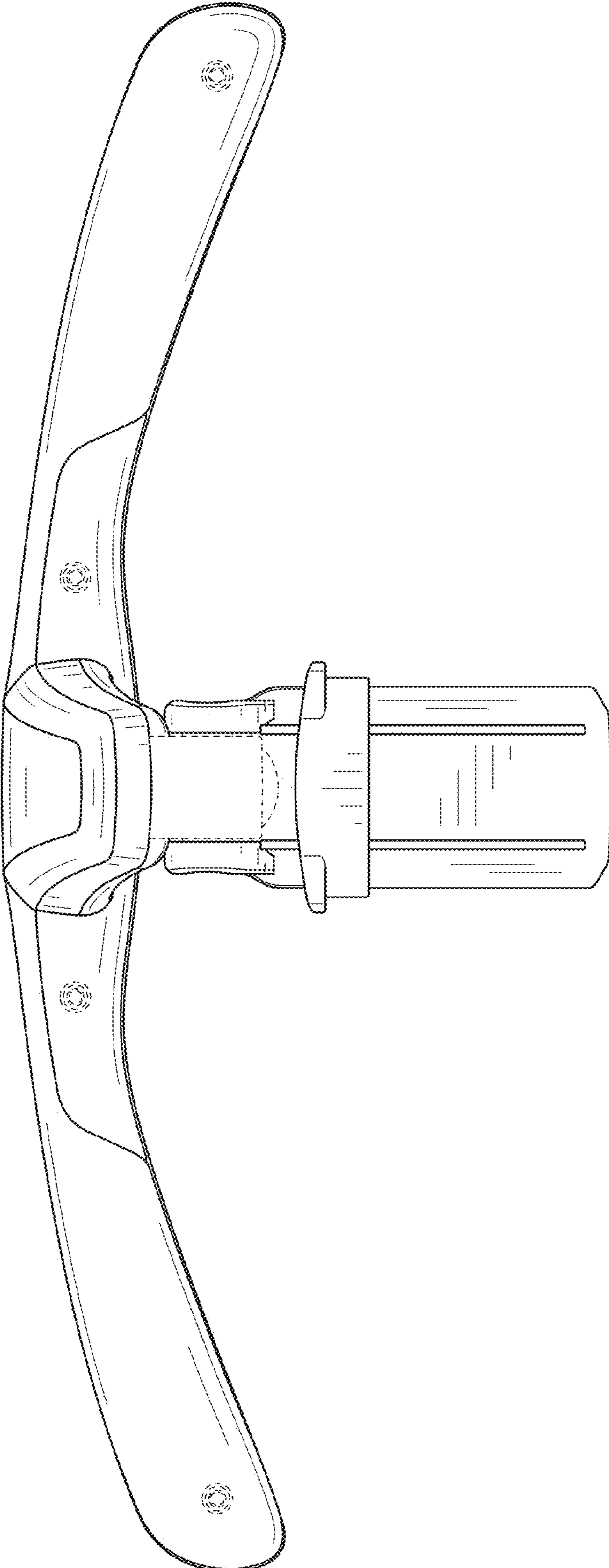


FIG. 7