



US00D953238S

(12) **United States Design Patent**  
**Huang**

(10) **Patent No.:** **US D953,238 S**

(45) **Date of Patent:** **\*\* May 31, 2022**

(54) **CAR STORAGE BOX**

(71) Applicant: **Guangzhou Huanganna Trading Co., Ltd.**, Guangzhou (CN)

(72) Inventor: **Jiajia Huang**, Shantou (CN)

(73) Assignee: **Guangzhou Huanganna Trading Co., Ltd.**, Guangzhou (CN)

(\*\*) Term: **15 Years**

(21) Appl. No.: **29/794,463**

(22) Filed: **Jun. 11, 2021**

(51) **LOC (13) Cl.** ..... **12-16**

(52) **U.S. Cl.**  
USPC ..... **D12/415**

(58) **Field of Classification Search**  
USPC ..... D12/192, 400, 415, 421, 423, 424, 425  
CPC ..... B60R 7/00; B60R 7/06  
See application file for complete search history.

(56) **References Cited**

**U.S. PATENT DOCUMENTS**

D248,757 S *	8/1978	Bokmiller	.....	D12/415
D382,534 S *	8/1997	Green	.....	D12/406
D486,121 S	2/2004	Bergh et al.		
D494,906 S *	8/2004	Pfeiffer	.....	D12/192
D540,738 S *	4/2007	Hatch	.....	D12/423
D821,959 S	7/2018	Baker		

D867,970 S	4/2019	Wu		
D922,934 S *	6/2021	Sanders	.....	E05D 3/02 D12/415
D945,380 S *	3/2022	Note	.....	B60R 7/06 D12/400
2007/0182145 A1 *	8/2007	Penner	.....	B60R 7/06 280/752
2007/0205624 A1 *	9/2007	Zellner	.....	E05B 83/30 296/37.12
2016/0207469 A1 *	7/2016	Ishikawa	.....	B60R 7/06
2021/0237656 A1 *	8/2021	Fujita	.....	E05D 3/02
2021/0370840 A1 *	12/2021	Nakasone	.....	E05C 9/047

\* cited by examiner

*Primary Examiner* — Calvin E Vansant

(74) *Attorney, Agent, or Firm* — Jinggao Li

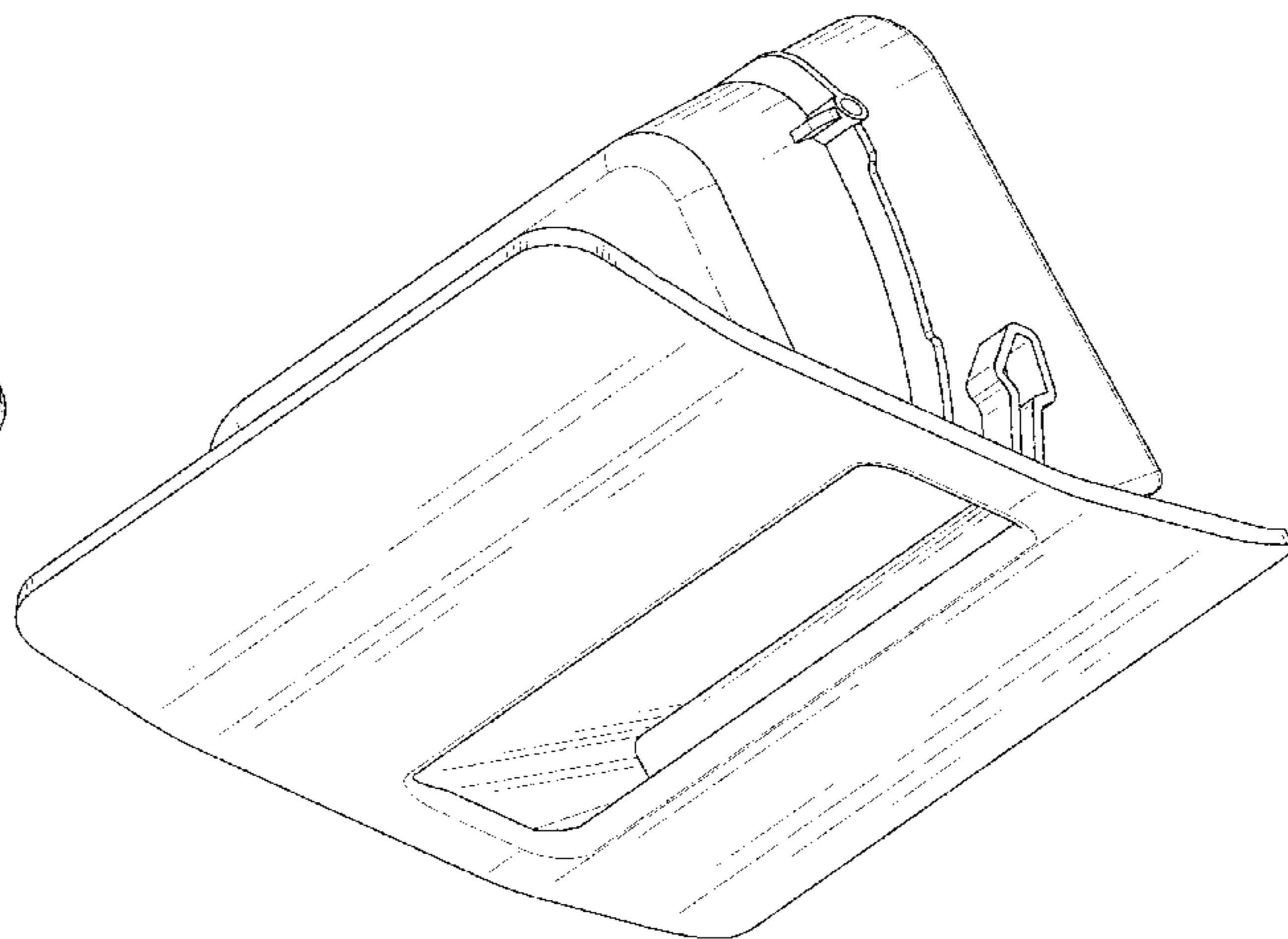
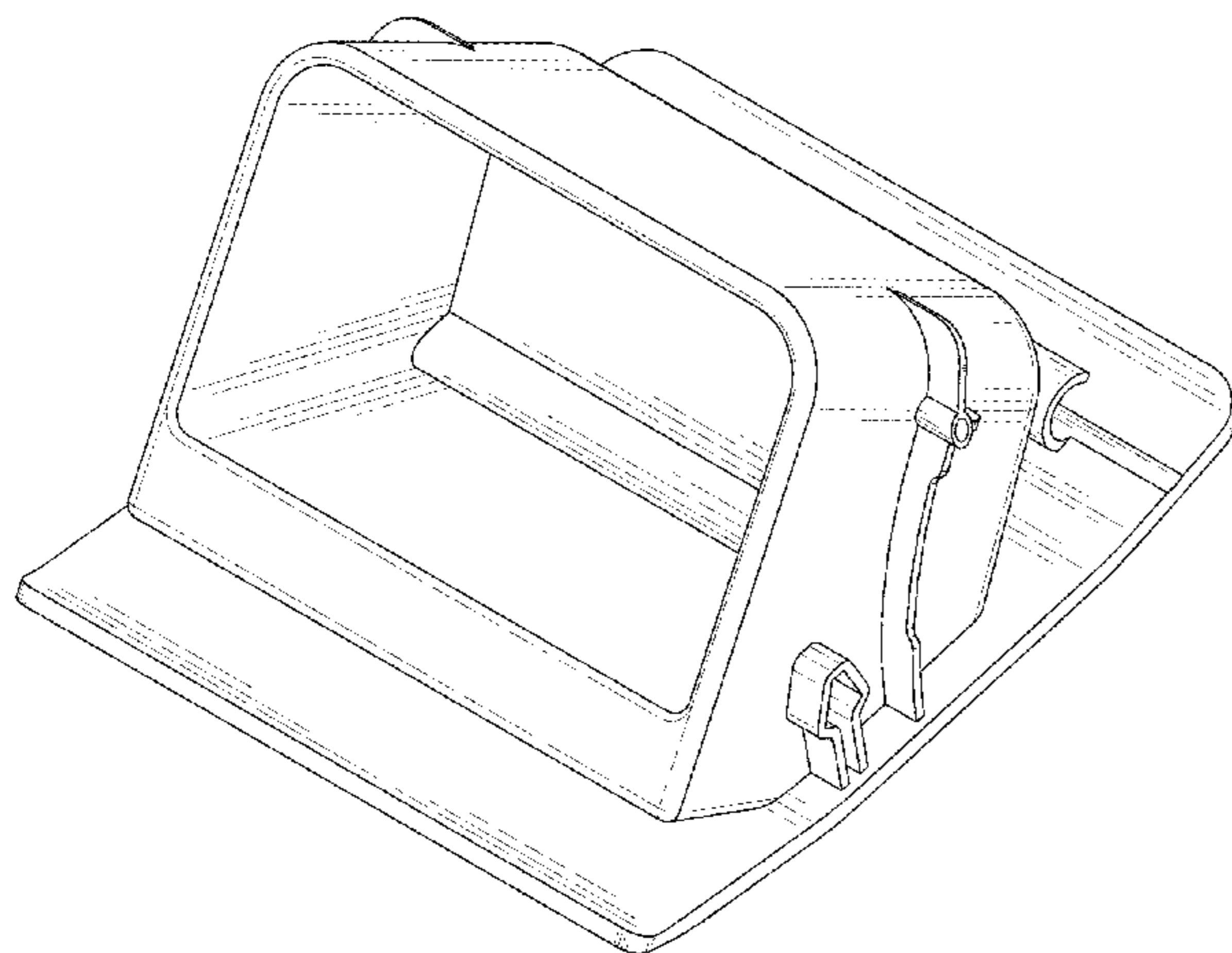
(57) **CLAIM**

The ornamental design for a car storage box, as shown and described.

**DESCRIPTION**

FIG. 1 is a perspective view of a car storage box for showing my new design;  
FIG. 2 is another perspective view thereof;  
FIG. 3 is a front view thereof;  
FIG. 4 is a rear view thereof;  
FIG. 5 is a left side view thereof;  
FIG. 6 is a right side view thereof;  
FIG. 7 is a top plan view thereof; and,  
FIG. 8 is a bottom plan view thereof.

**1 Claim, 8 Drawing Sheets**



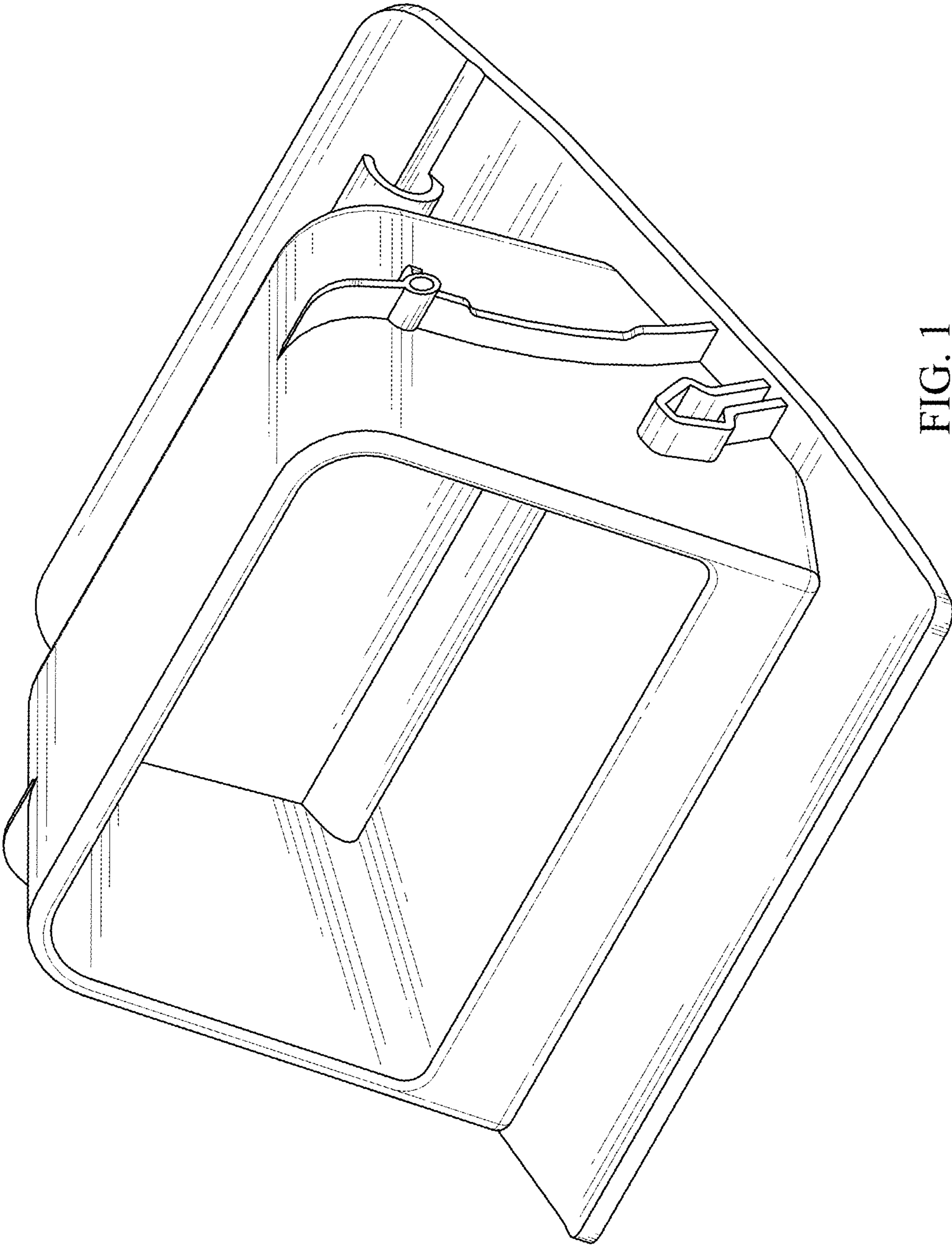


FIG. 1

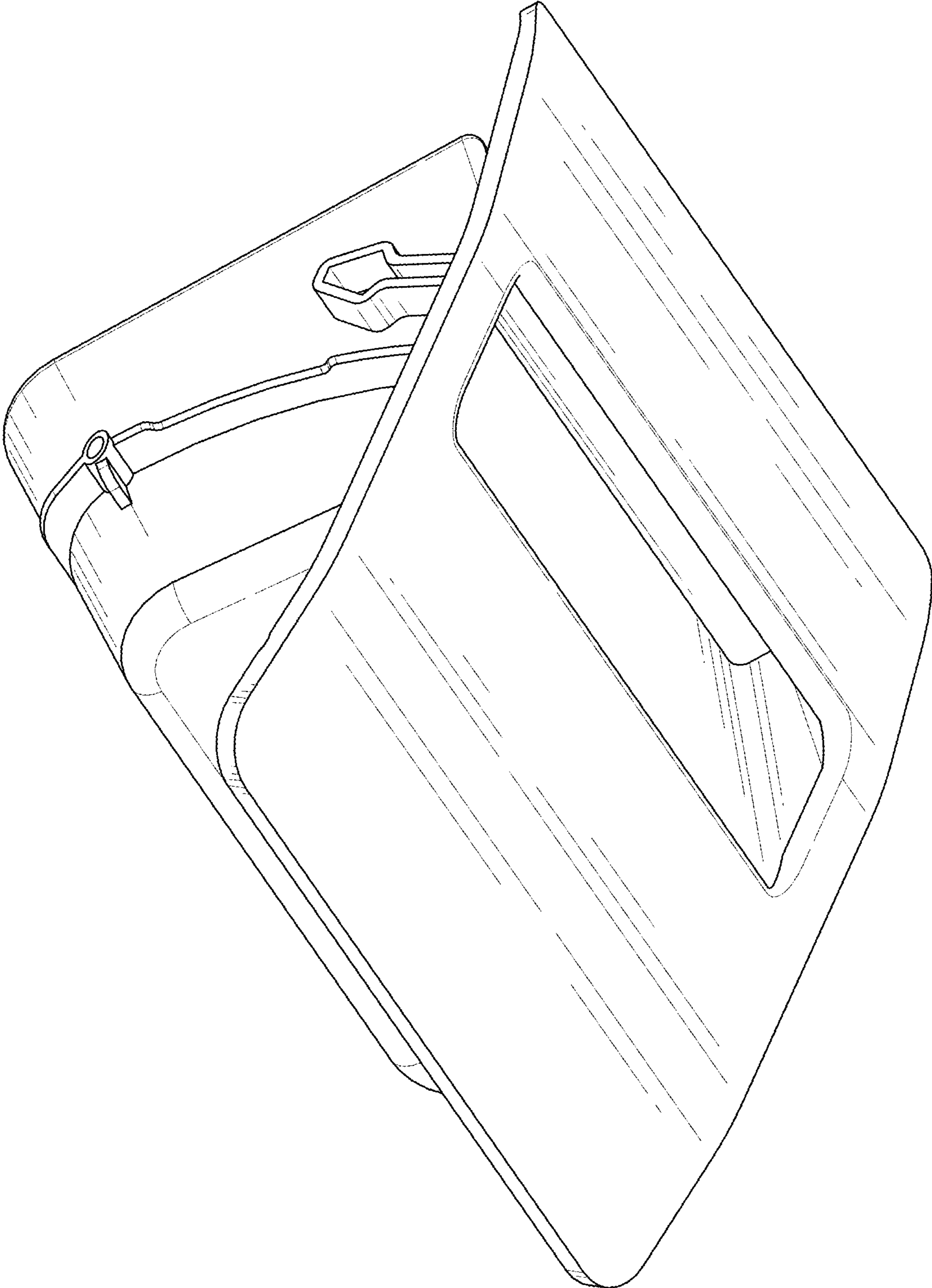


FIG. 2

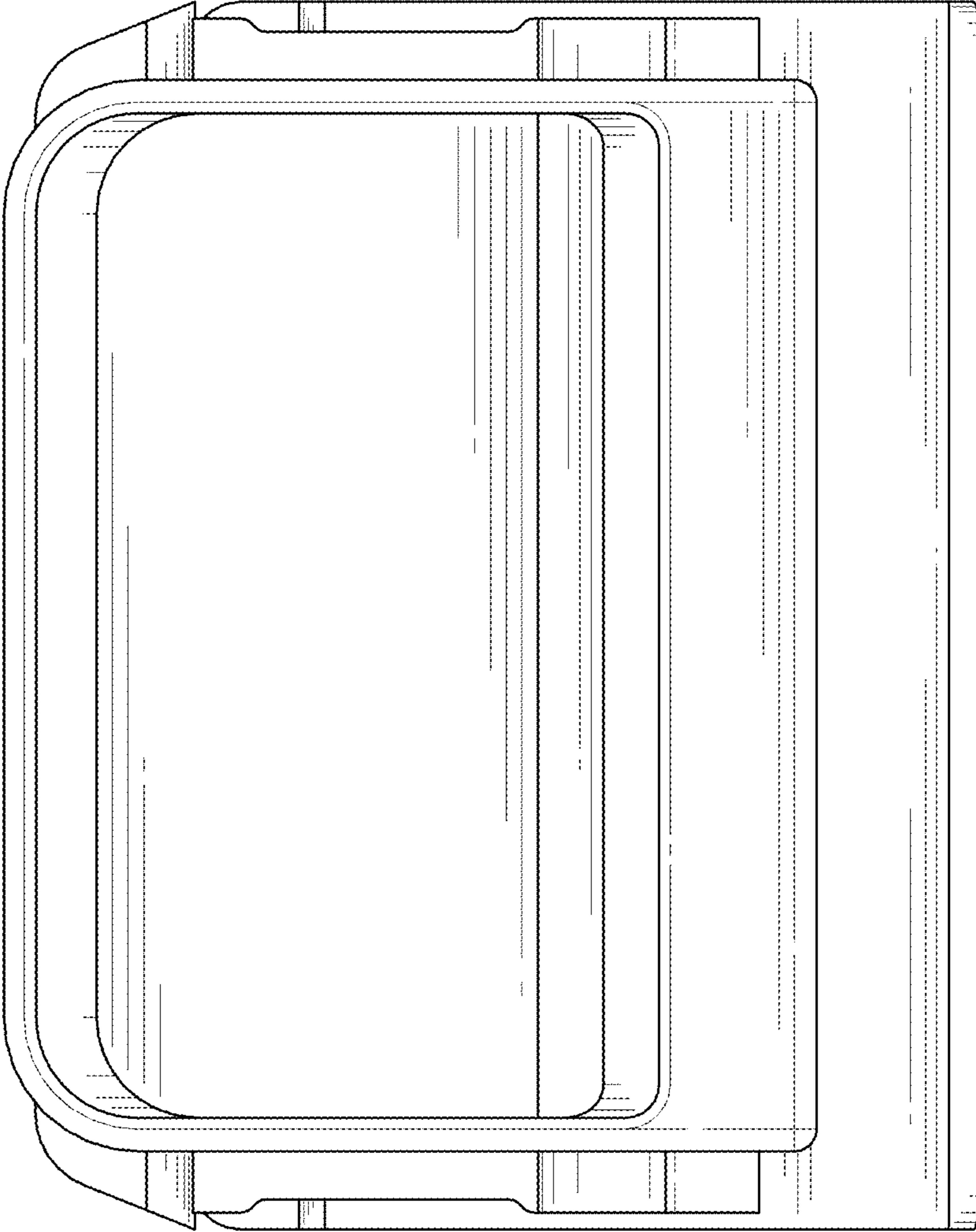


FIG. 3

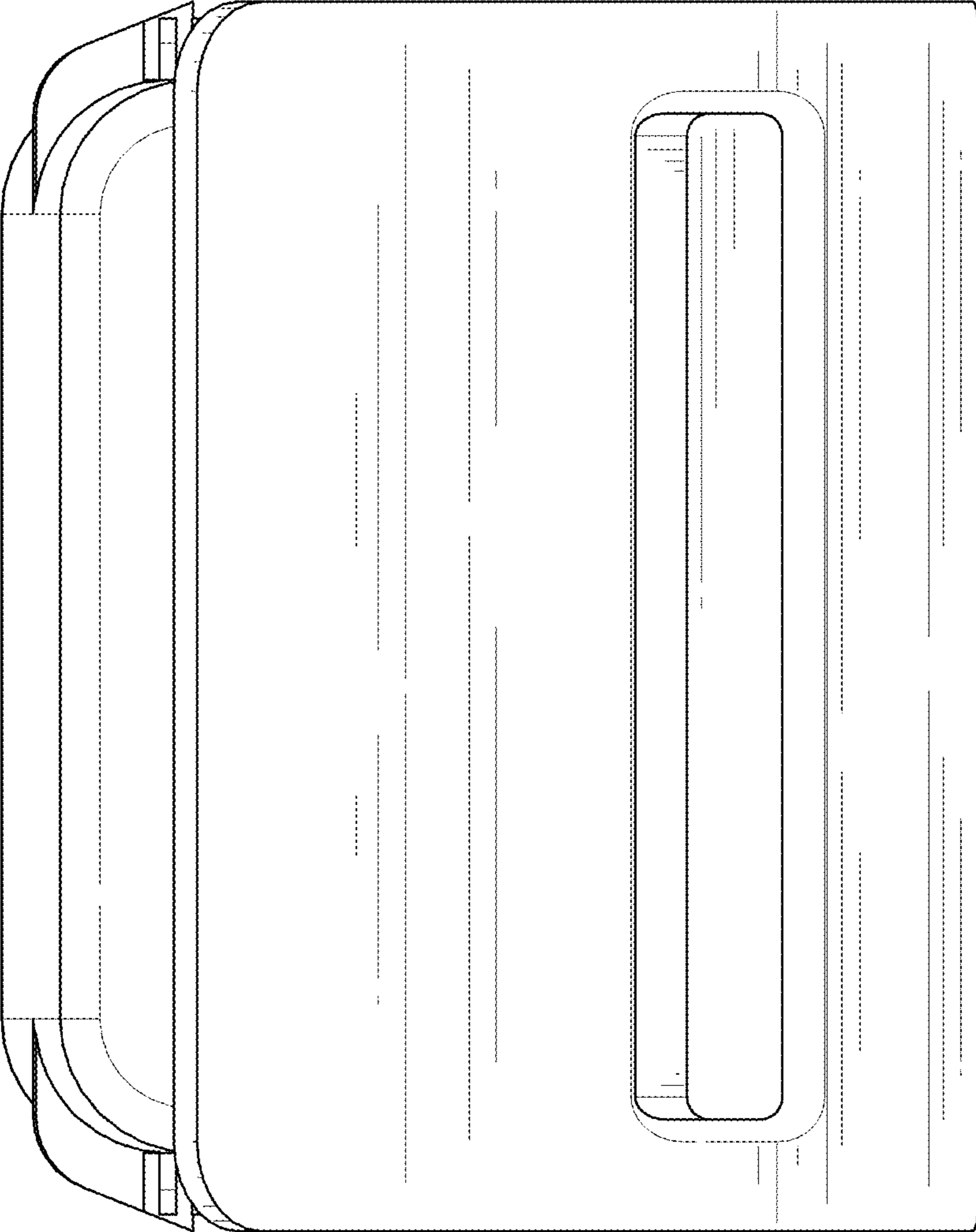


FIG. 4

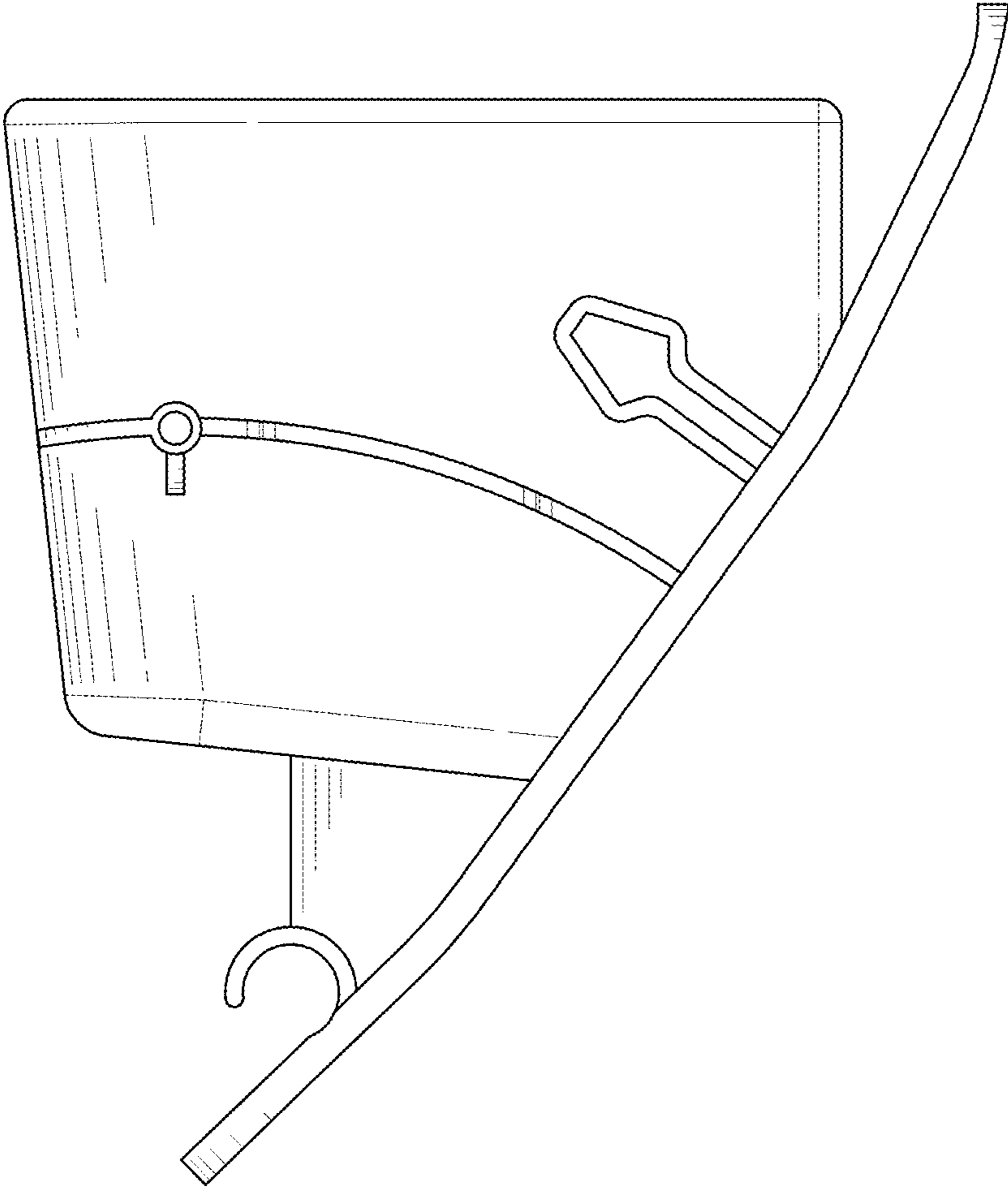


FIG. 5

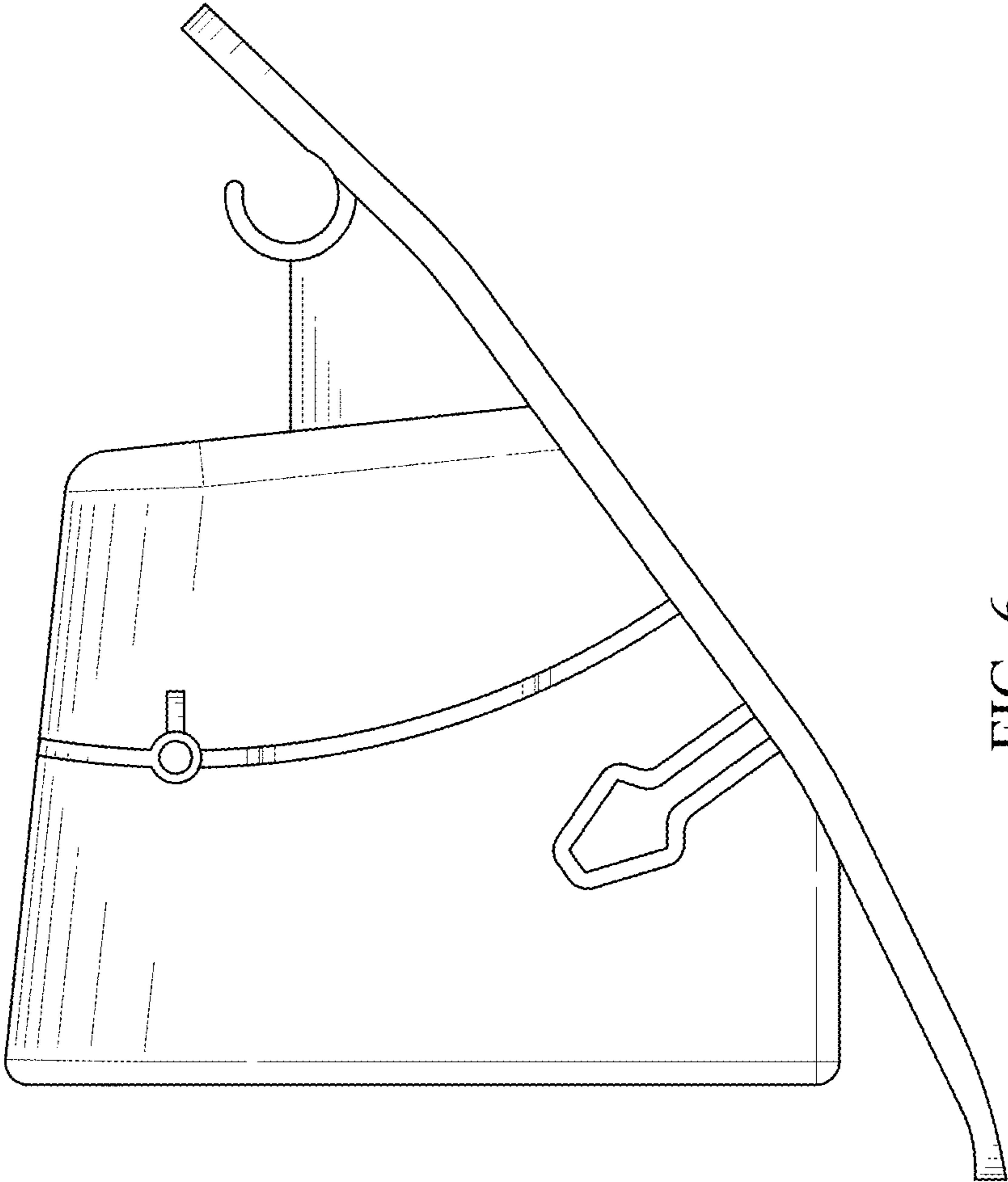


FIG. 6

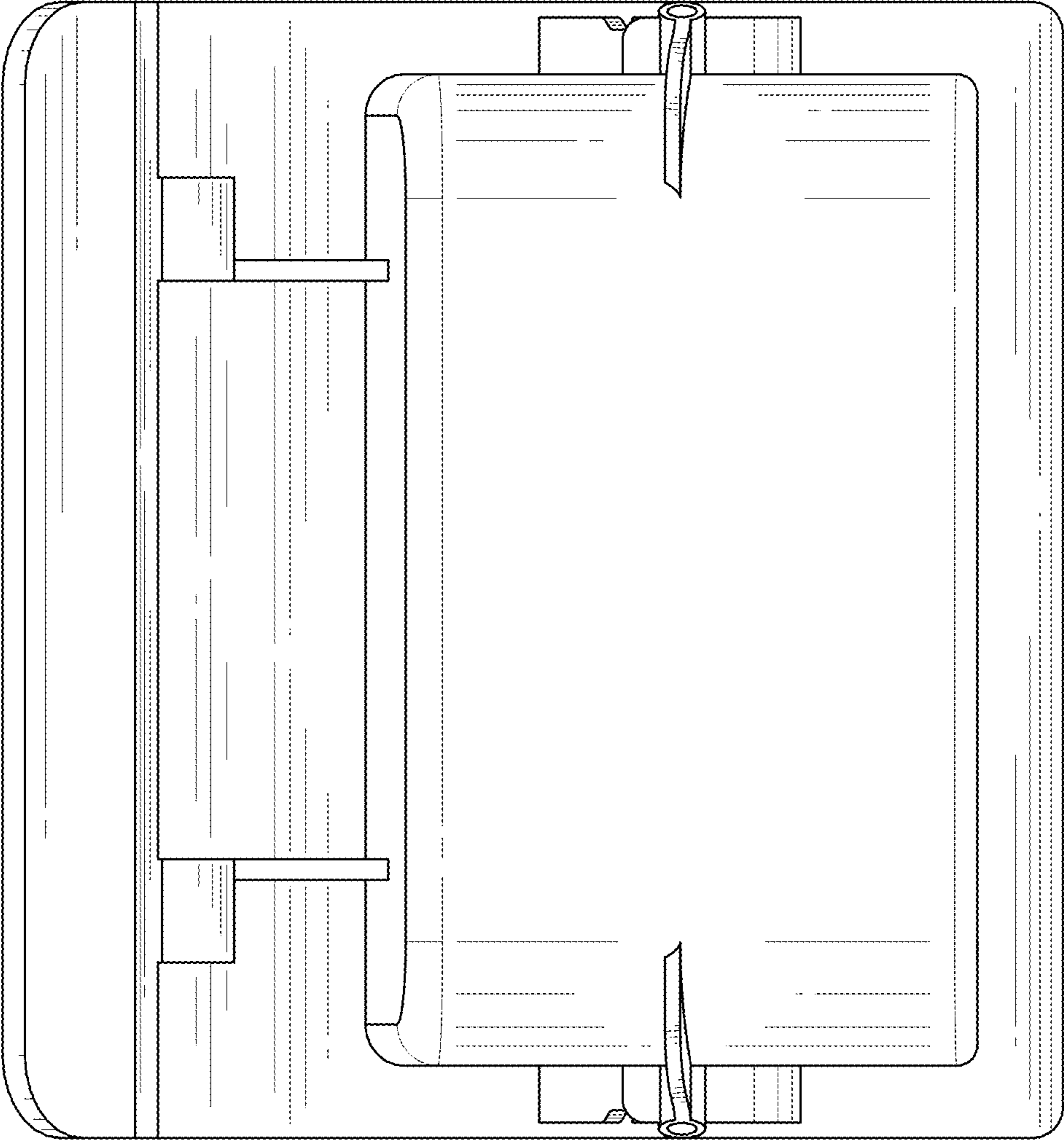


FIG. 7



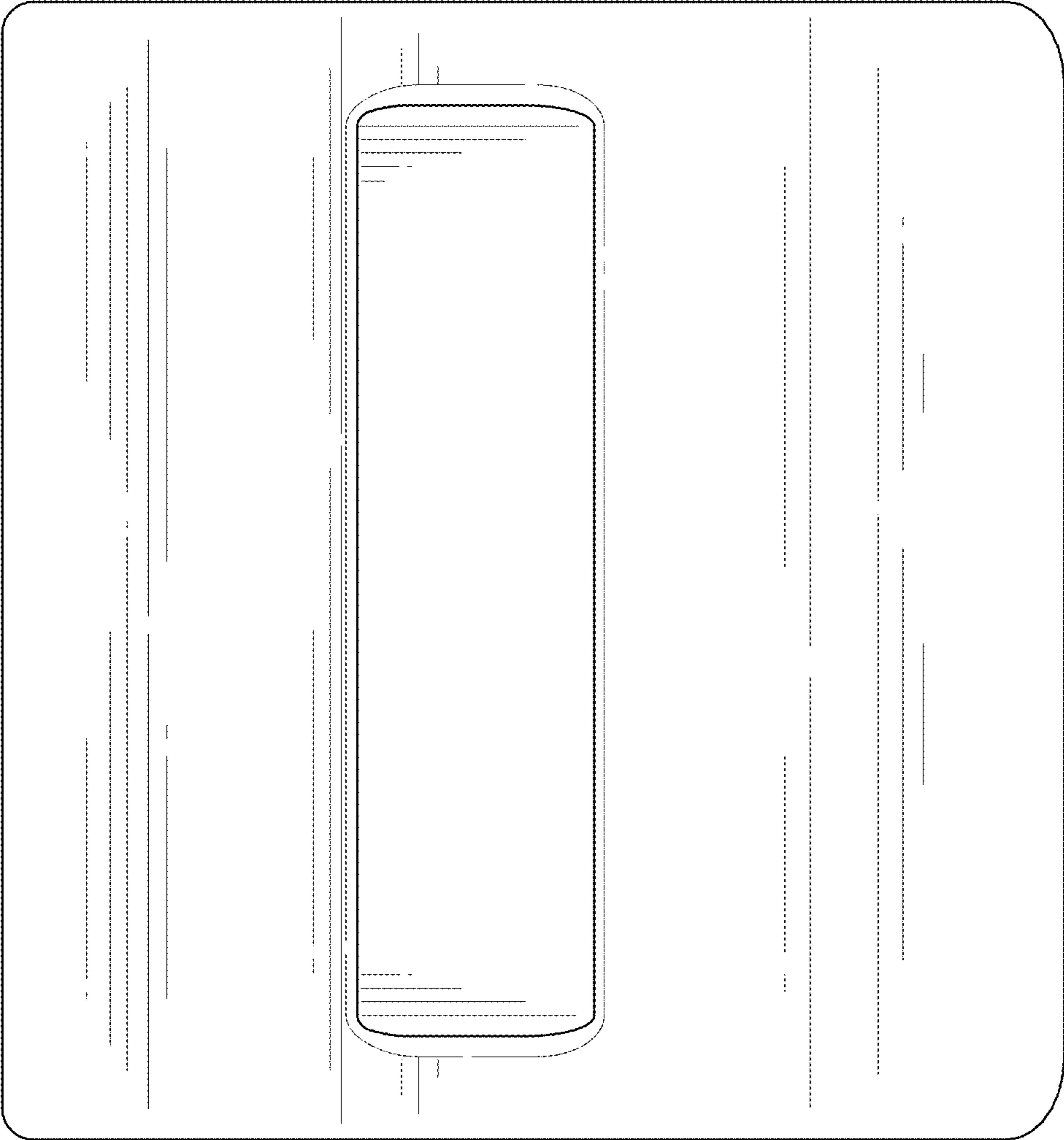


FIG. 8