



US00D953236S

(12) **United States Design Patent** (10) **Patent No.:** **US D953,236 S**
Su (45) **Date of Patent:** **** May 31, 2022**

(54) **TAIL BOX COVER**
(71) Applicant: **Shengsheng Su**, Anyang (CN)
(72) Inventor: **Shengsheng Su**, Anyang (CN)
(**) Term: **15 Years**
(21) Appl. No.: **29/798,070**
(22) Filed: **Jul. 6, 2021**
(51) **LOC (13) Cl.** **12-16**
(52) **U.S. Cl.**
USPC **D12/414.1**
(58) **Field of Classification Search**
USPC ... D12/157, 221, 406, 412, 413, 414, 414.1,
D12/423; D3/304-306; D6/317-319,
D6/513-514, 552; D32/35, 58
CPC .. B60R 7/02; B60R 9/04; B60R 9/055; B60R
9/06; B62D 33/042; B62D 33/02
See application file for complete search history.

(56) **References Cited**

U.S. PATENT DOCUMENTS

4,488,669 A * 12/1984 Waters B60R 11/06
224/404
D285,673 S * 9/1986 Waters D3/905
D305,315 S * 1/1990 Fletcher D3/905
4,967,944 A * 11/1990 Waters B60R 11/06
224/404
D324,197 S * 2/1992 Dickinson D3/905
5,382,069 A * 1/1995 Chambers B60R 9/00
224/404
5,419,476 A * 5/1995 White B60R 9/00
224/404
5,779,117 A * 7/1998 Rogers B60R 11/06
224/403
5,964,492 A * 10/1999 Lyon B60R 9/00
224/404
D540,737 S * 4/2007 Bogard D12/414.1
D626,062 S * 10/2010 Giddens D12/414.1
D679,906 S * 4/2013 Gros D3/273

D720,680 S * 1/2015 Vitoorapakorn D12/414.1
D771,544 S * 11/2016 Christofferson D12/414.1
D772,141 S * 11/2016 Christofferson D12/414.1
10,232,794 B1 * 3/2019 Moore B60R 11/06
10,328,863 B2 * 6/2019 Spahn B60R 11/06
D862,339 S 10/2019 Kezha
D864,089 S * 10/2019 Dorminey D12/414.1
D902,104 S 11/2020 Guille
11,186,231 B1 * 11/2021 Smith B60R 11/06
2001/0032848 A1 * 10/2001 Jones B65D 7/42
220/592.25

(Continued)

OTHER PUBLICATIONS

James Kennedy. "The Best Truck Tool Box For Any Application." Shed Heads., Feb. 15, 2020 [online], [retrieved on Apr. 14, 2022]. Retrieved from the Internet <URL: <https://shedheads.net/best-truck-tool-box/>>.*

(Continued)

Primary Examiner — Darlington Ly

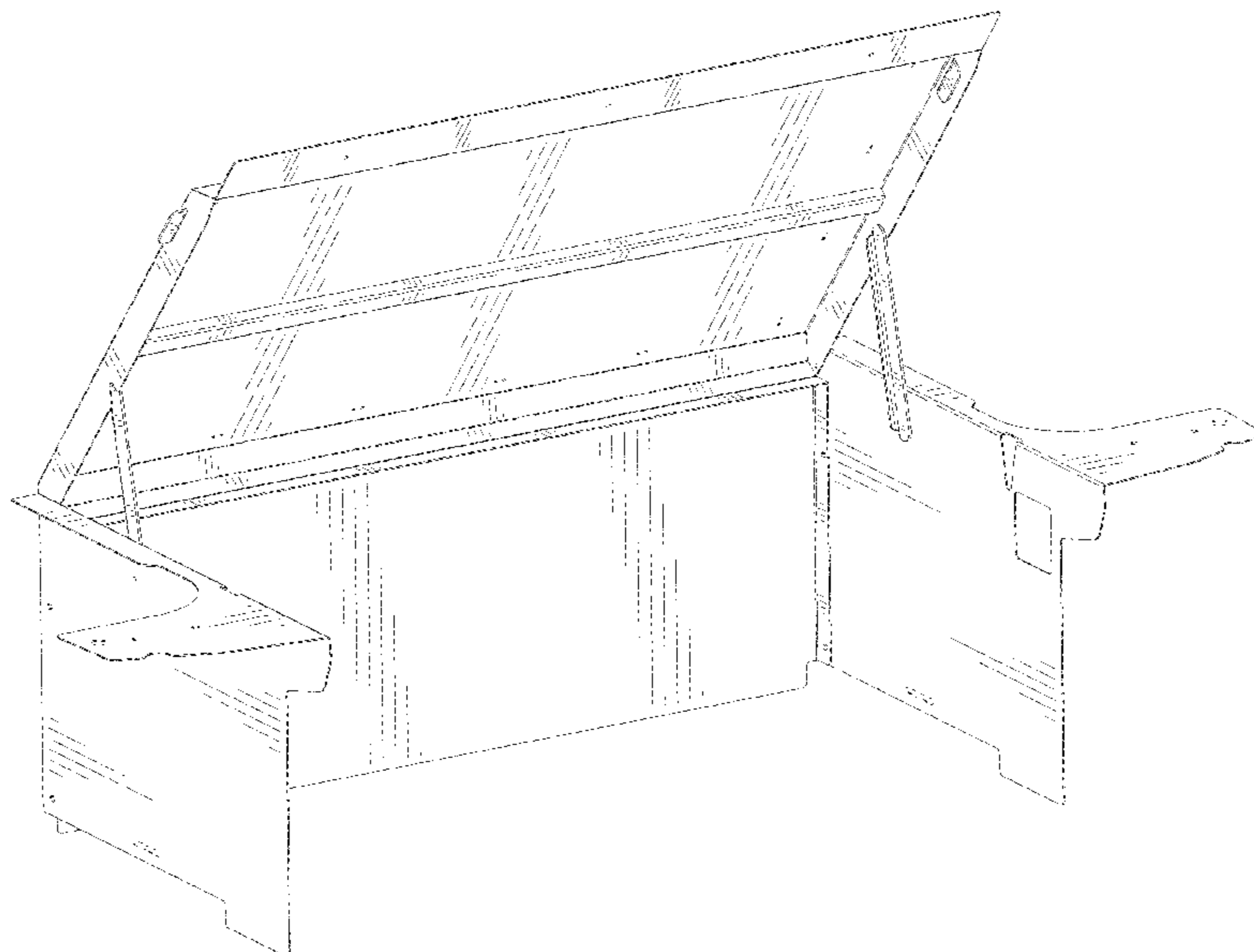
(57) **CLAIM**

The ornamental design for a tail box cover, as shown and described.

DESCRIPTION

FIG. 1 is a perspective view of a tail box cover showing my new design;
FIG. 2 is another perspective view thereof;
FIG. 3 is a front elevational view thereof;
FIG. 4 is a rear elevational view thereof;
FIG. 5 is a left side elevational view thereof;
FIG. 6 is a right side elevational view thereof;
FIG. 7 is a top plan view thereof; and,
FIG. 8 is a bottom plan view thereof.
The broken lines in the drawings depict portions of the tail box cover that form no part of the claimed design.

1 Claim, 8 Drawing Sheets



(56)

References Cited

U.S. PATENT DOCUMENTS

2007/0039957 A1* 2/2007 Shulz B60R 9/00
224/404
2011/0284602 A1* 11/2011 Lamouroux B60R 11/06
224/402
2012/0261450 A1* 10/2012 Moore B25H 3/02
224/404
2013/0180991 A1* 7/2013 Williams E05B 85/045
292/341.15
2014/0266001 A1* 9/2014 Wilde H02J 7/35
320/101
2015/0158436 A1* 6/2015 Zaiser B60R 11/06
224/404
2016/0144796 A1* 5/2016 Bexar B62D 33/023
29/401.1
2016/0167718 A1* 6/2016 Wilson B62D 33/0207
224/404
2018/0118128 A1* 5/2018 Schuling B65D 45/16

OTHER PUBLICATIONS

Bobbi Dempsey. "8 Contractor Approved Truck Toolboxes." Popular Mechanics., May 21, 2021 [online], [retrieved on Apr. 14, 2022]. Retrieved from the Internet <URL: <https://www.popularmechanics.com/home/g36447566/truck-tool-boxes/>>.*
Casey Fiedler. "The Best Truck Tool Boxes." Outside Pursuits., Mar. 17, 2022 [online], [retrieved on Apr. 14, 2022]. Retrieved from the Internet <URL: <https://www.outsidepursuits.com/best-truck-tool-box/>>.*
"Motorcycle Tail Box,SG Universal 45L Motorcycle Aluminum Top Case Tail Box Luggage(Black)." Amazon., Aug. 31, 2020 [online], [retrieved on Apr. 14, 2022]. Retrieved from the Internet <URL: <https://www.amazon.com/Refit-Universal-Motorcycle-Aluminum-Luggage/dp/B08H1RYRCC?th=1>>.*

* cited by examiner

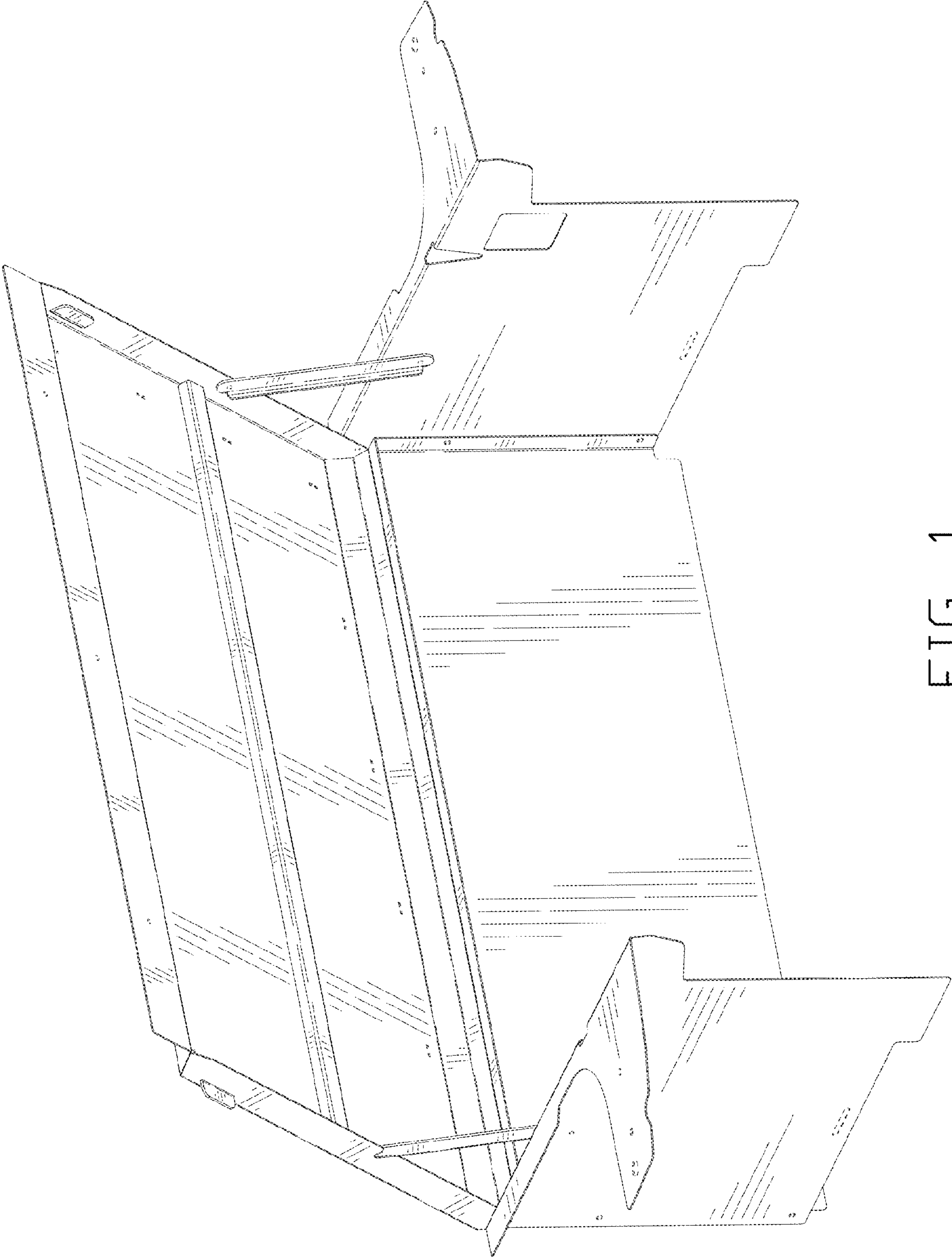


FIG. 1

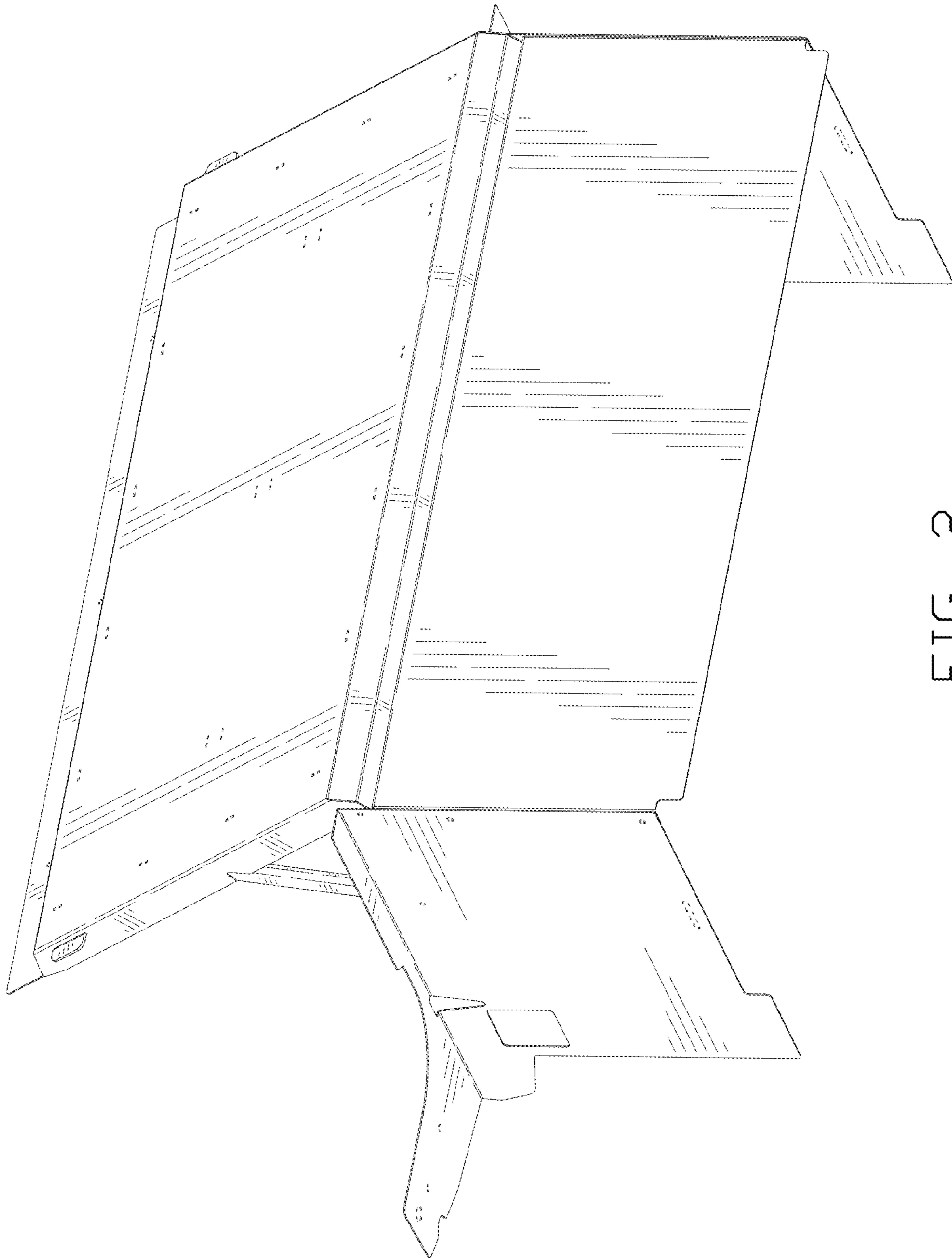


FIG. 2

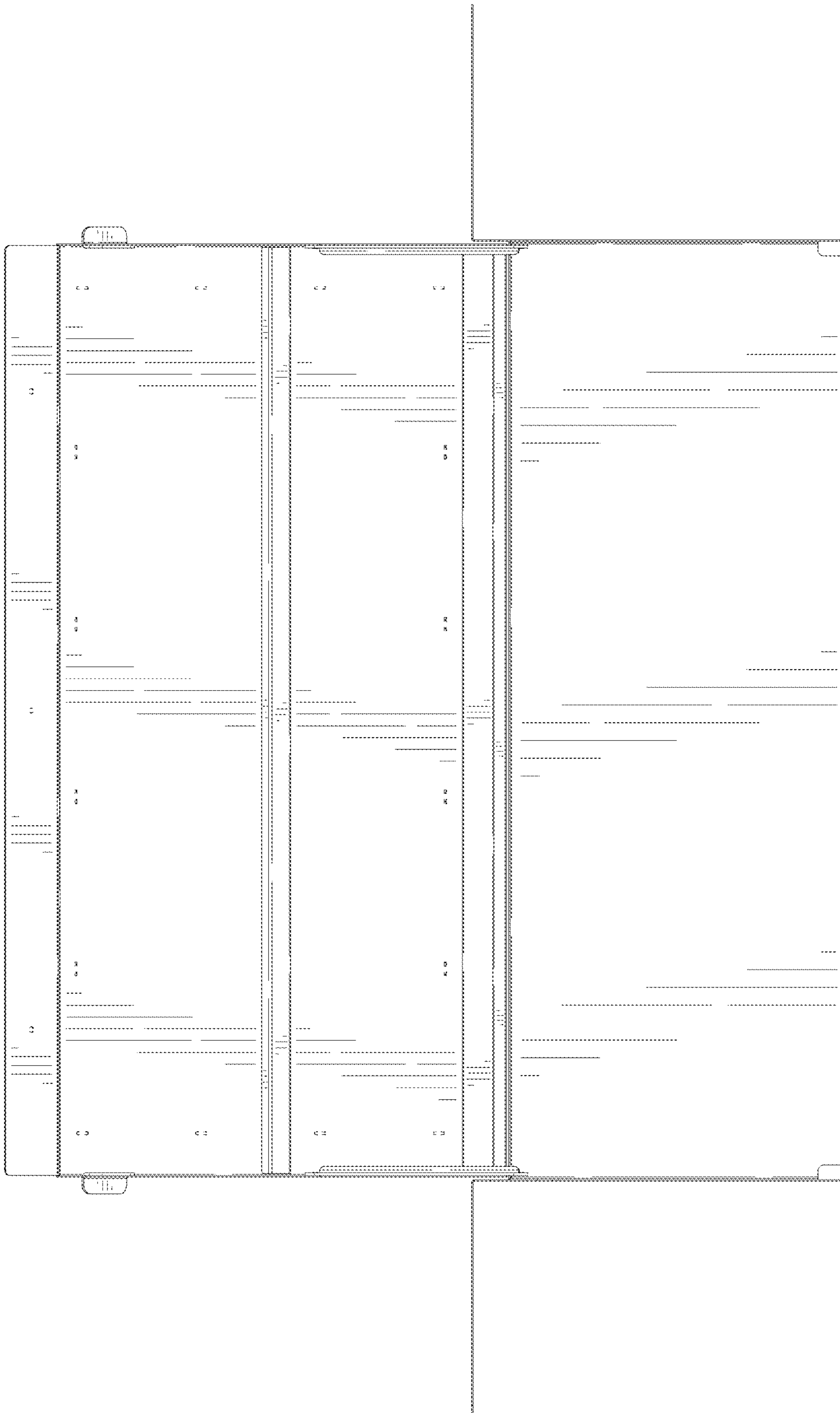


FIG. 3

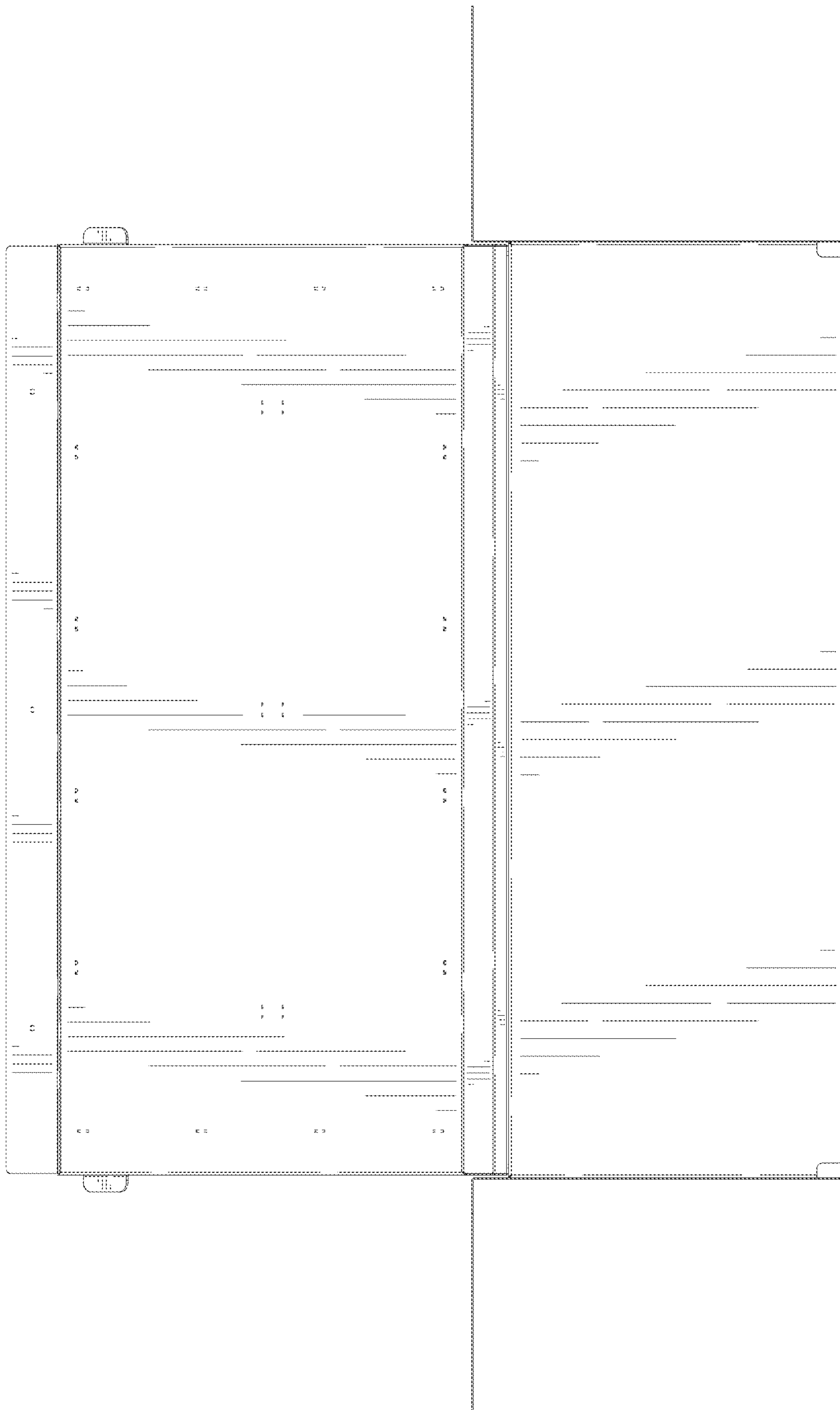


FIG. 4

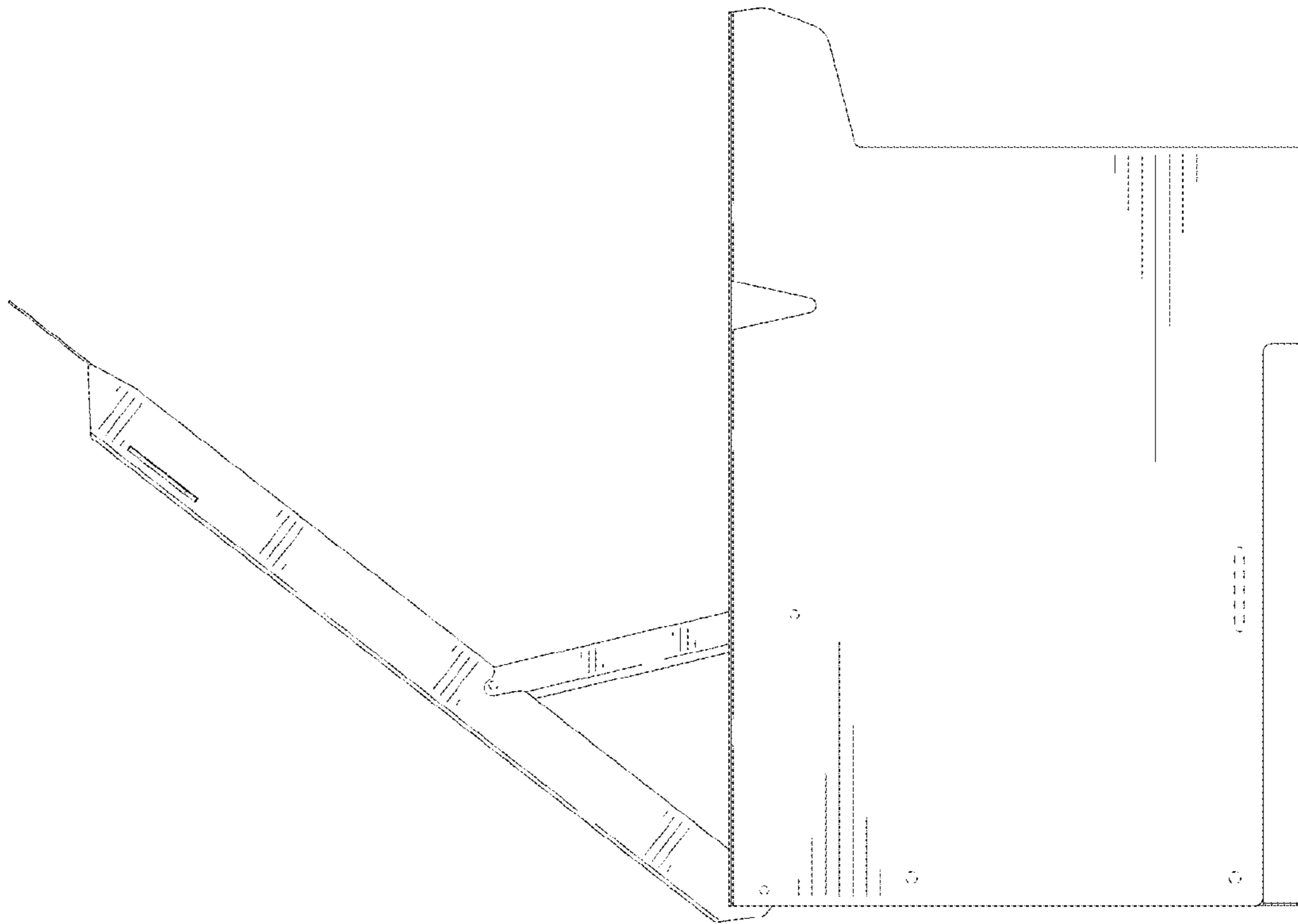


FIG. 5

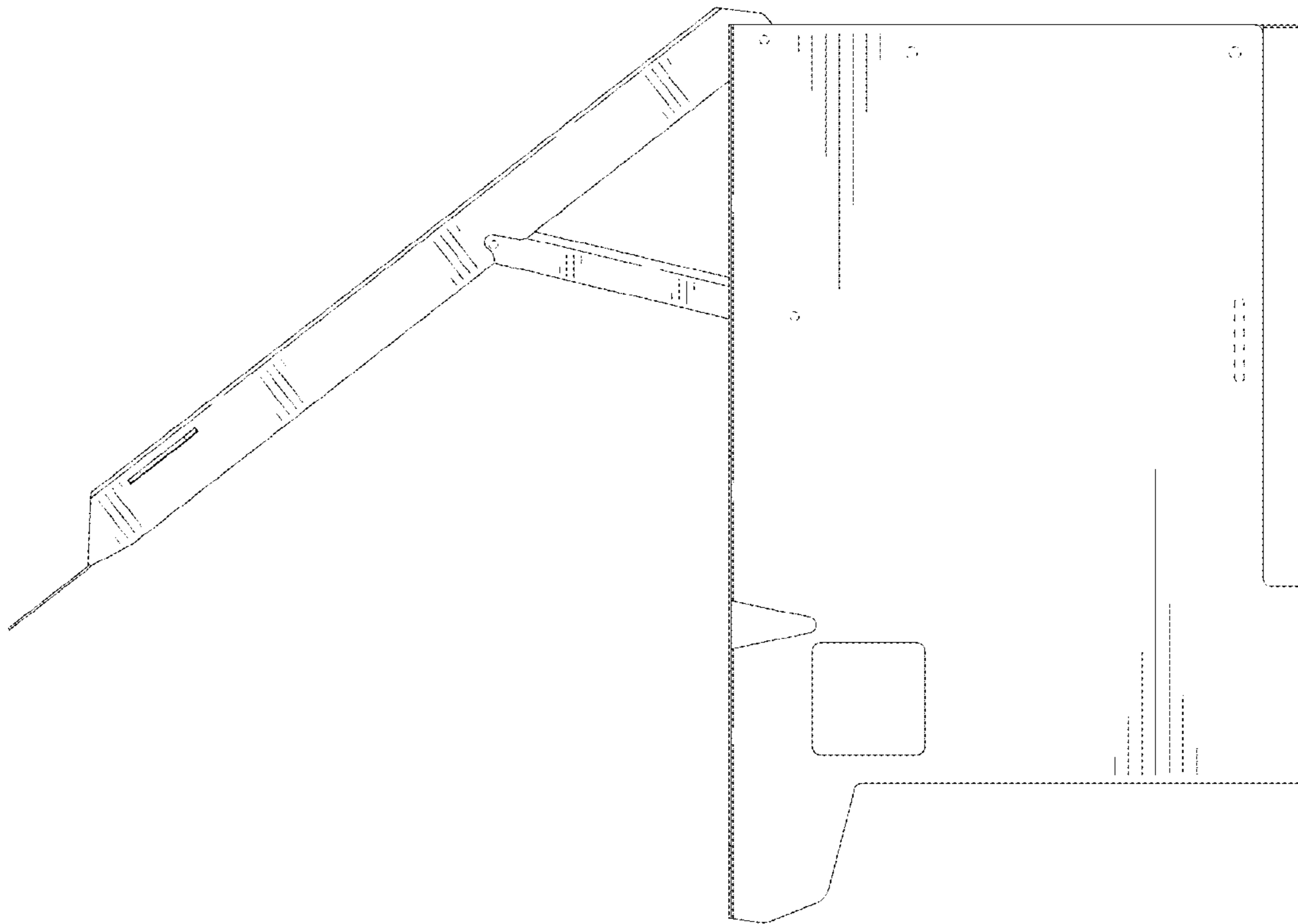


FIG. 6

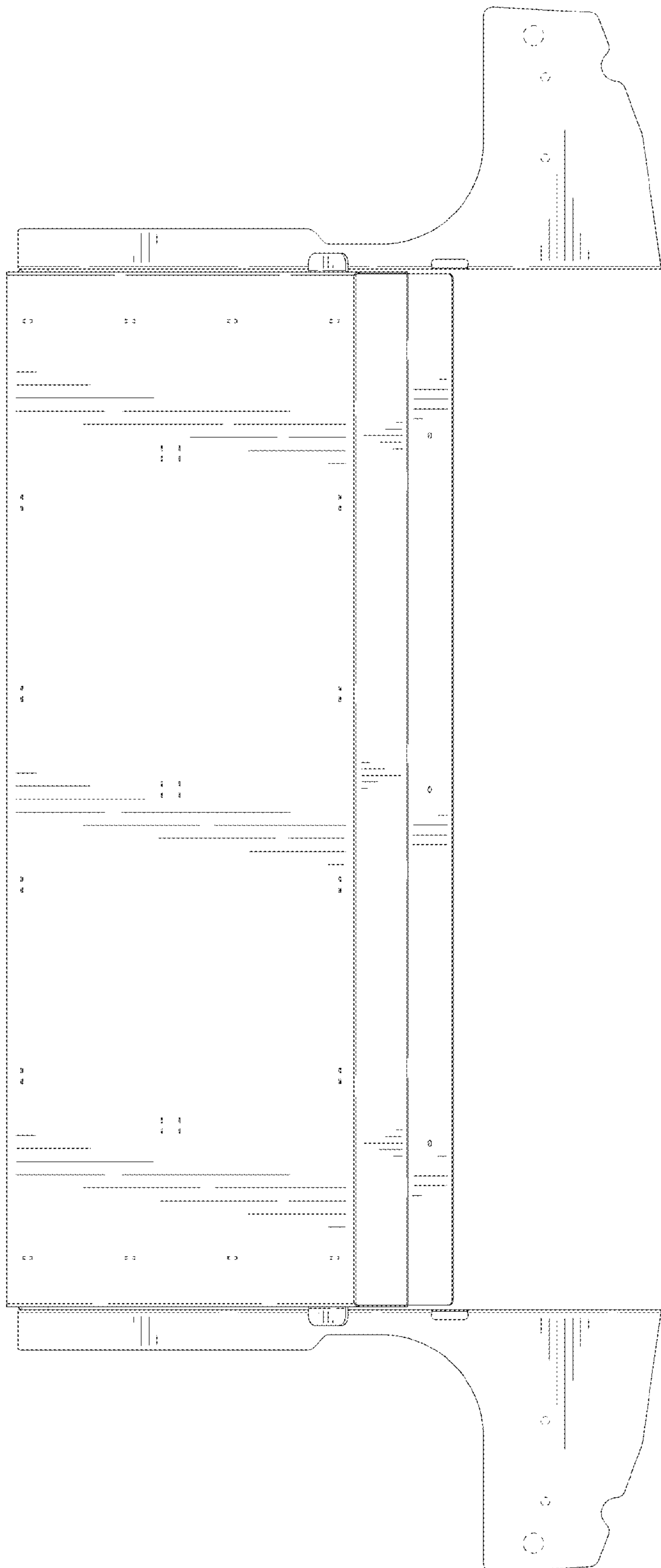


FIG. 7

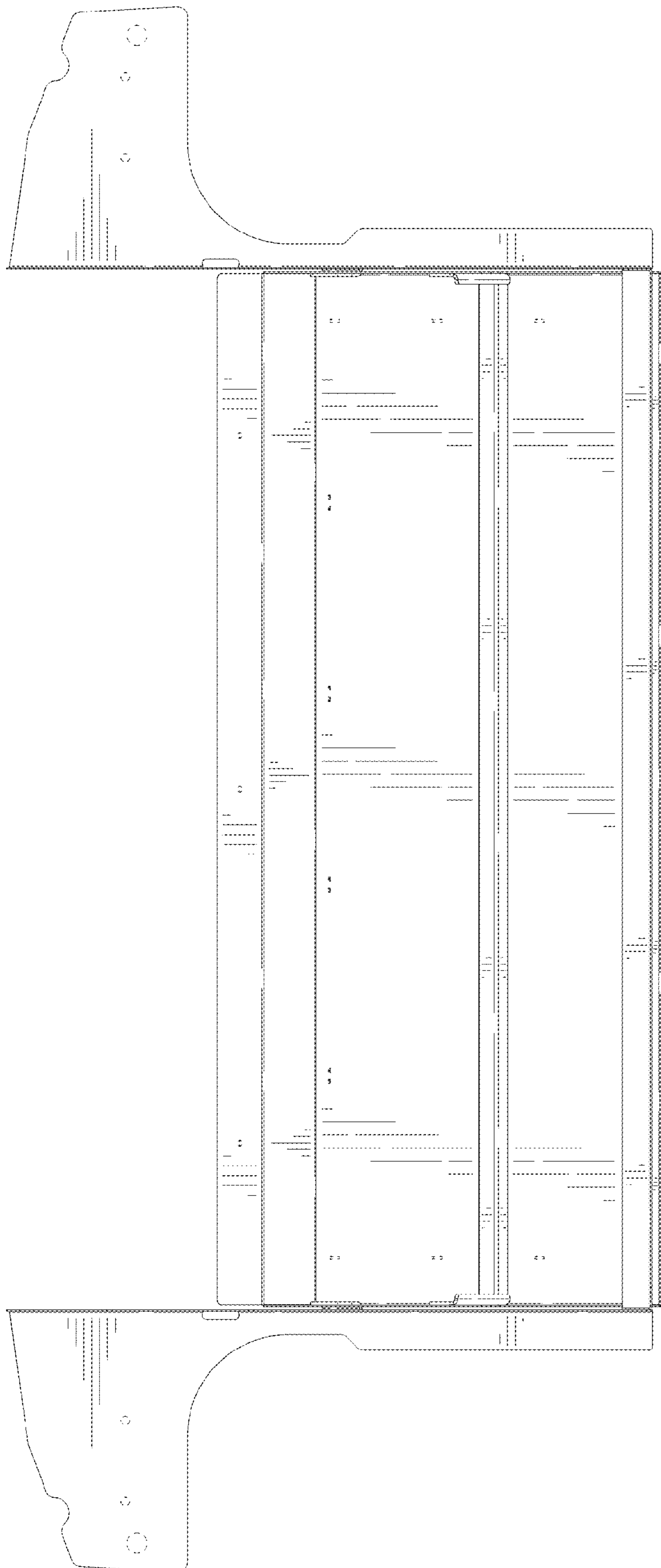


FIG. 8