



US00D953235S

(12) **United States Design Patent**
Connellan et al.

(10) **Patent No.:** **US D953,235 S**
(45) **Date of Patent:** **** May 31, 2022**

(54) **EDGE EXTRUSION FOR ROOF RACK**

FOREIGN PATENT DOCUMENTS

(71) Applicant: **Rhino Rack Australia Pty Limited**,
New South Wales (AU)

KR 100941249 B1 * 2/2010 B60R 9/05

(72) Inventors: **Adam Connellan**, New South Wales
(AU); **Warren Asquith**, New South
Wales (AU)

OTHER PUBLICATIONS

(73) Assignee: **Rhino Rack Australia Pty Limited**,
New South Wales (AU)

Rhino Rack Platform Rack, Published date unavailable [online],
[retrieved on Jun. 18, 2021], Retrieved from the Internet: https://www.rhinorack.com/en-US/products/roof/platforms-and-baskets/pioneer-platforms/pioneer-platform-52-x-49-unassembled_52109f(Year: 2021).*

(**) Term: **15 Years**

* cited by examiner

(21) Appl. No.: **29/717,563**

Primary Examiner — Cary M Robinson

(22) Filed: **Dec. 18, 2019**

Assistant Examiner — Adam C Mager

(30) **Foreign Application Priority Data**

(74) *Attorney, Agent, or Firm* — Skinner and Associates;
Joel Skinner

Jun. 27, 2019 (AU) 201913637

(51) **LOC (13) Cl.** **12-16**

(52) **U.S. Cl.**
USPC **D12/412**

(57) **CLAIM**

(58) **Field of Classification Search**

The ornamental design for an edge extrusion for a roof rack,
as shown and described.

USPC D12/401, 402, 403, 404, 405, 406, 407,
D12/408, 409, 410, 411, 412, 413, 414,
D12/414.1; D32/35, 58; D6/513, 514,
D6/552; D3/304, 305, 306
CPC B60R 9/00; B60R 9/02; B60R 9/04; B60R
9/042; B60R 9/0423; B60R 9/0426; B60R
9/045; B60R 9/048; B60R 9/0485; B60R
9/05; B60R 9/052; B60R 9/055; B60R
9/058; B60R 9/06; B60R 9/065; B60R
9/08; B60R 9/10; B60R 9/12; B60R
11/00; B60R 11/06; B60R 2011/004;
B60R 2011/0042; B60P 7/0815; B62D
33/0207

DESCRIPTION

See application file for complete search history.

FIG. 1 is a perspective view of an edge extrusion for roof rack showing the design of the invention. In the drawings, the edge extrusion for roof rack is shown with symbolic breaks in its length. The appearance of any portion of the article between the break lines forms no part of the claimed design.

(56) **References Cited**

U.S. PATENT DOCUMENTS

D869,379 S * 12/2019 Eriksson D12/414
D873,760 S * 1/2020 Connellan D12/412
D878,278 S * 3/2020 Connellan D12/412

FIG. 2 is a front view thereof.

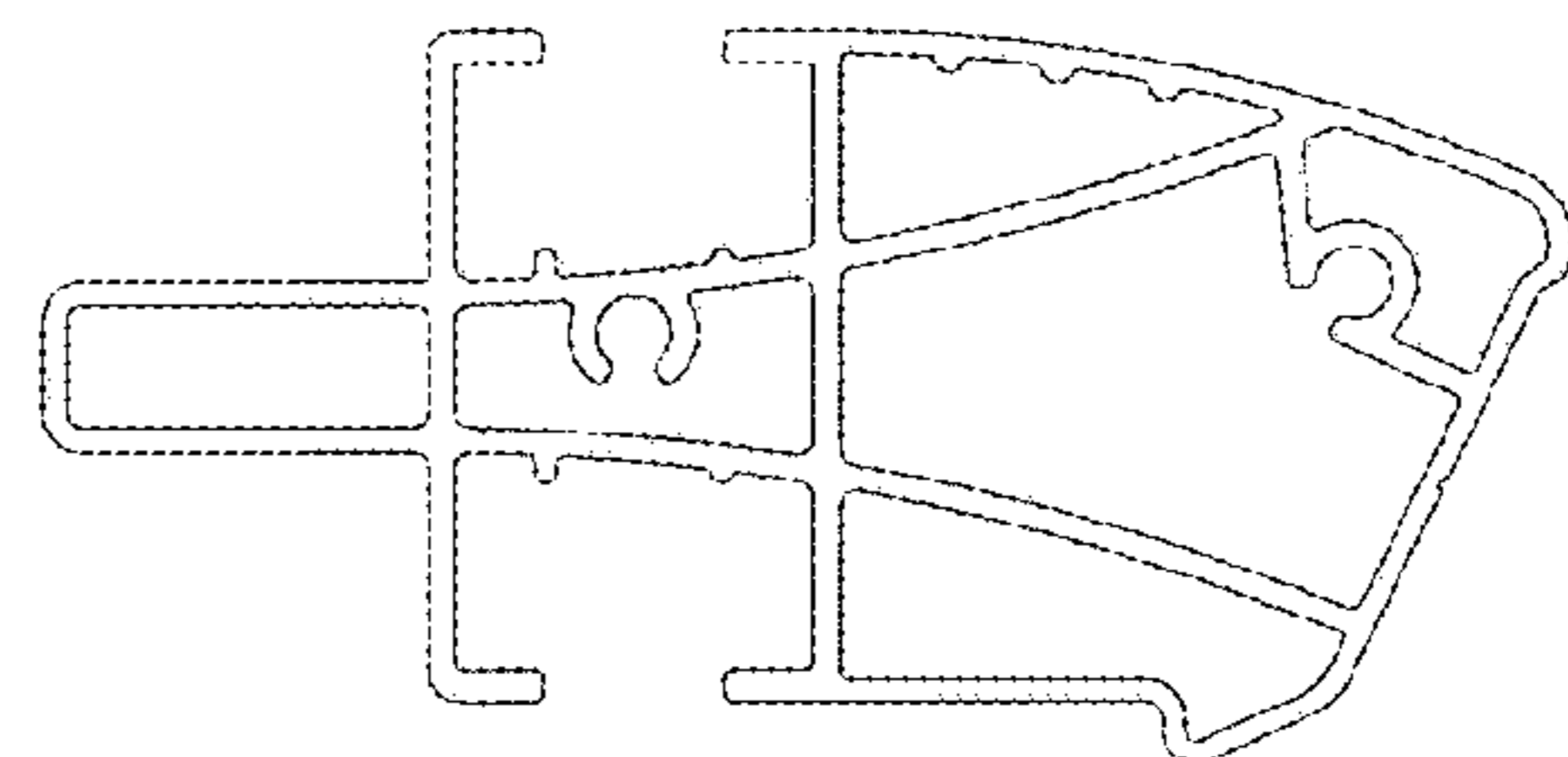
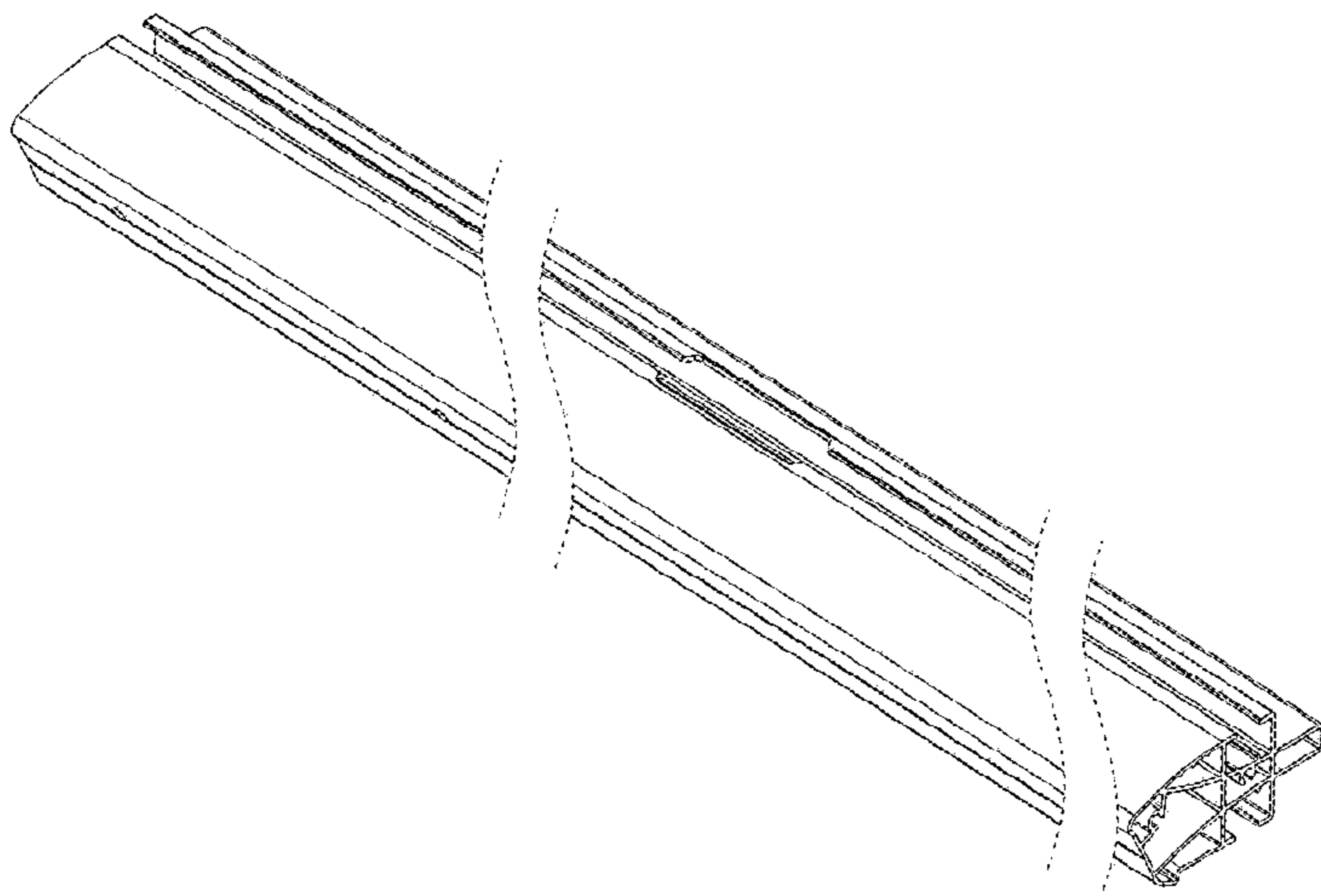
FIG. 3 is a rear view thereof.

FIG. 4 is a side view thereof; the opposite side being a mirror image thereof.

FIG. 5 is a top view thereof; and,

FIG. 6 is a bottom view thereof.

1 Claim, 4 Drawing Sheets



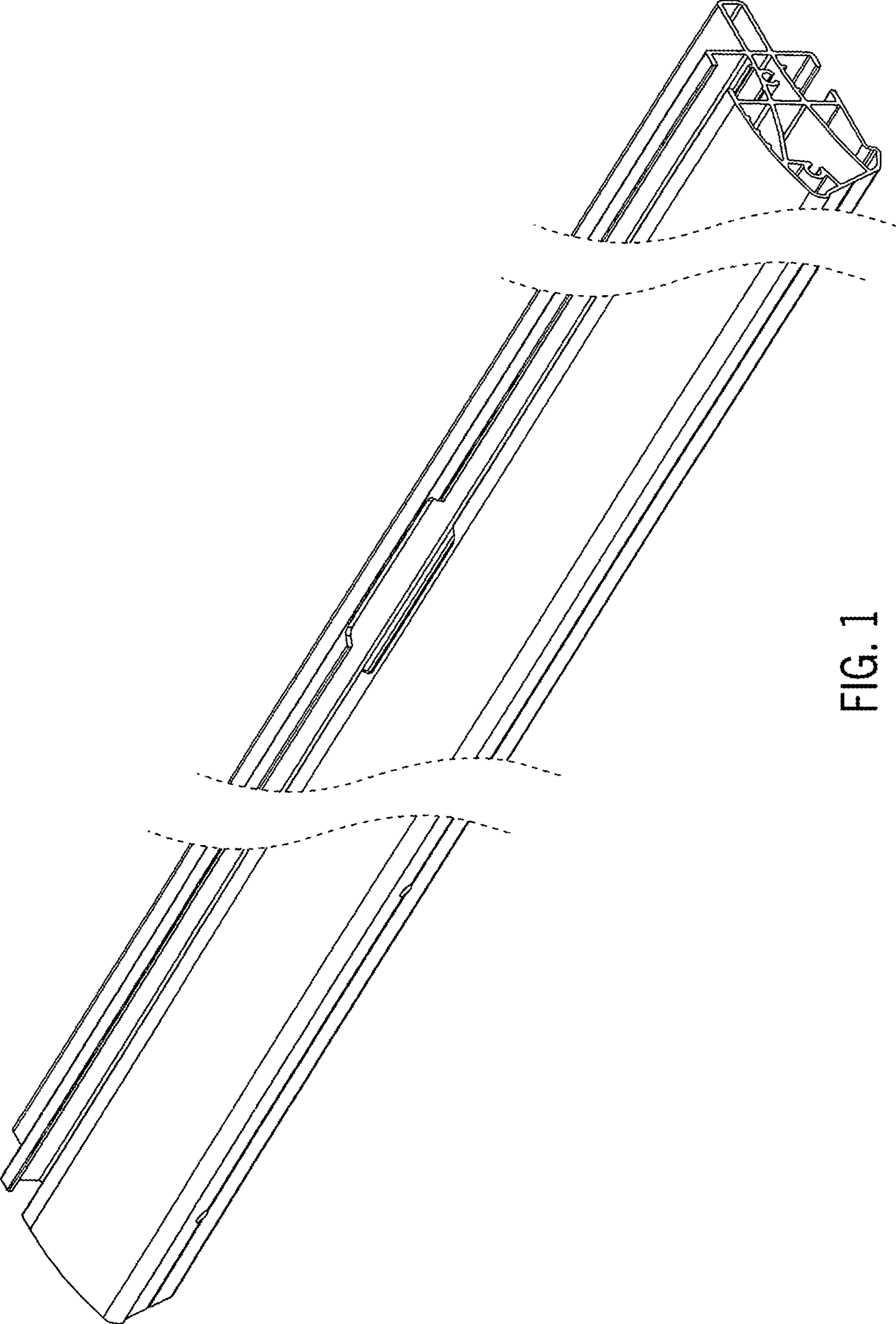


FIG. 1

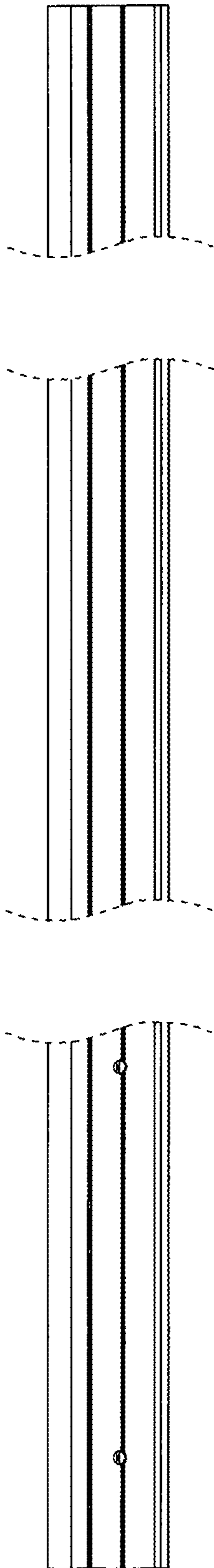


FIG. 2

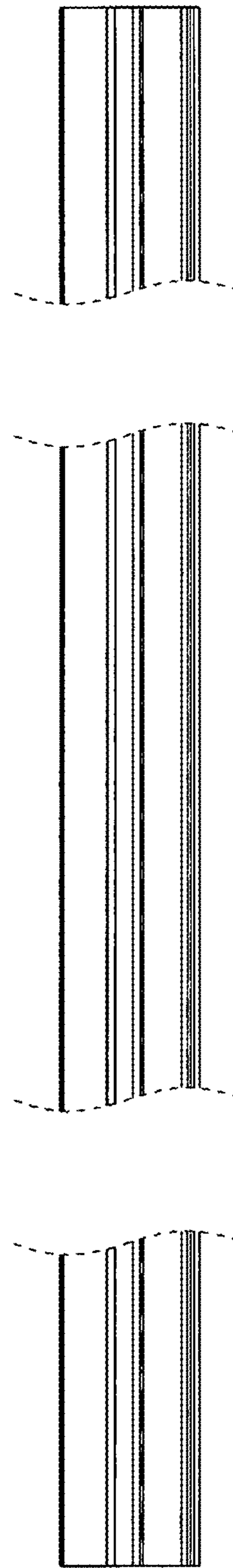


FIG. 3

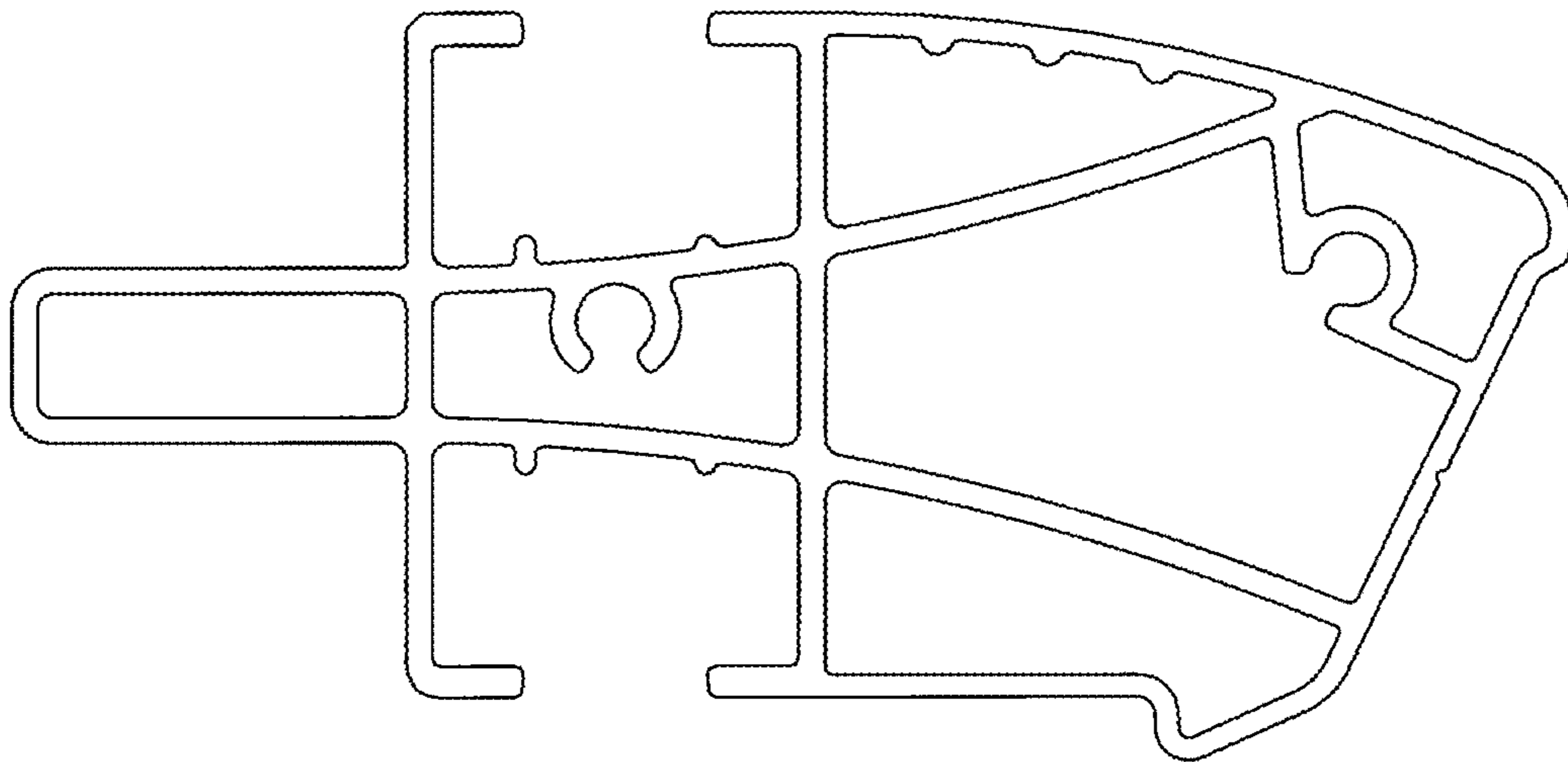


FIG. 4

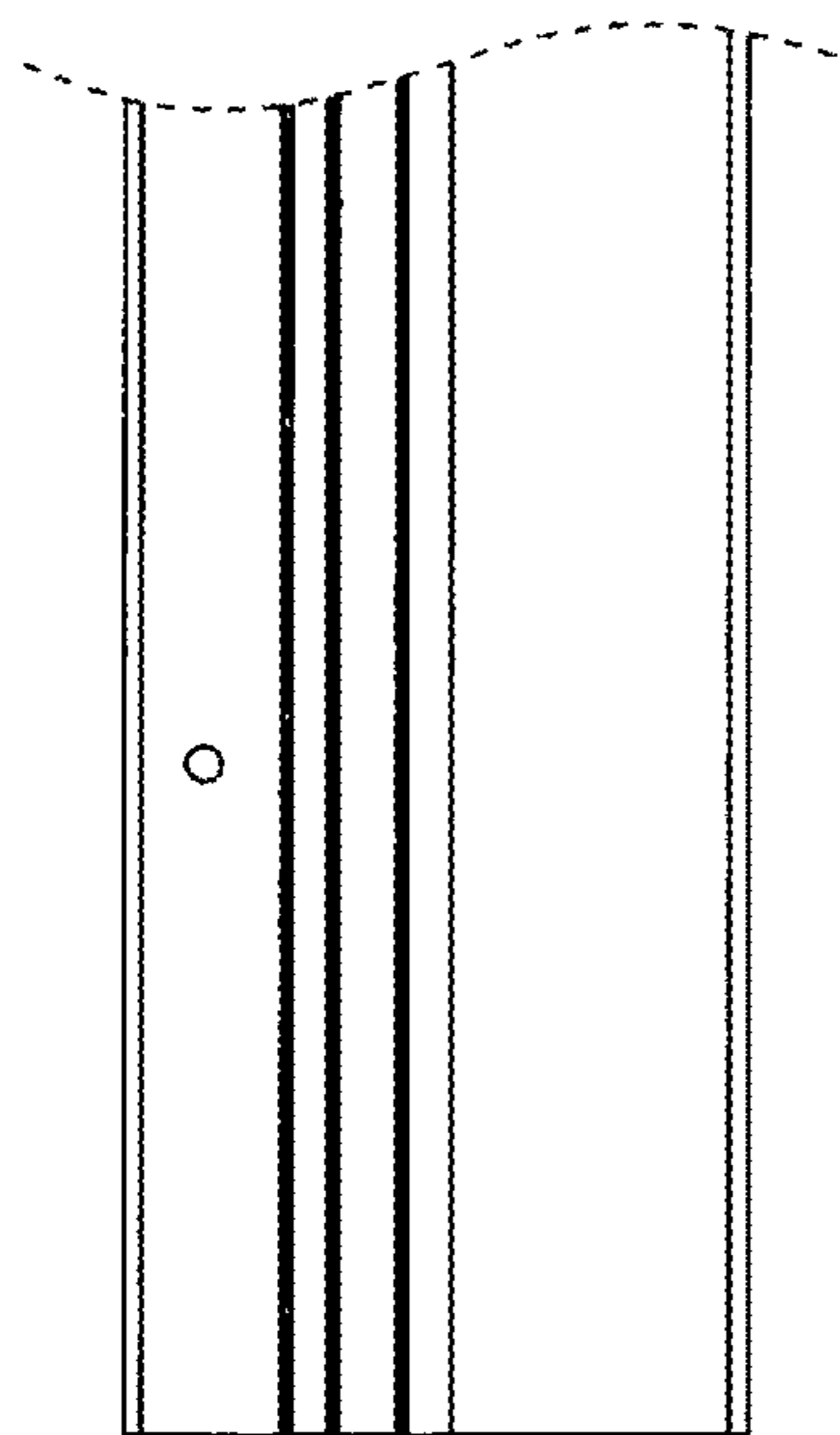
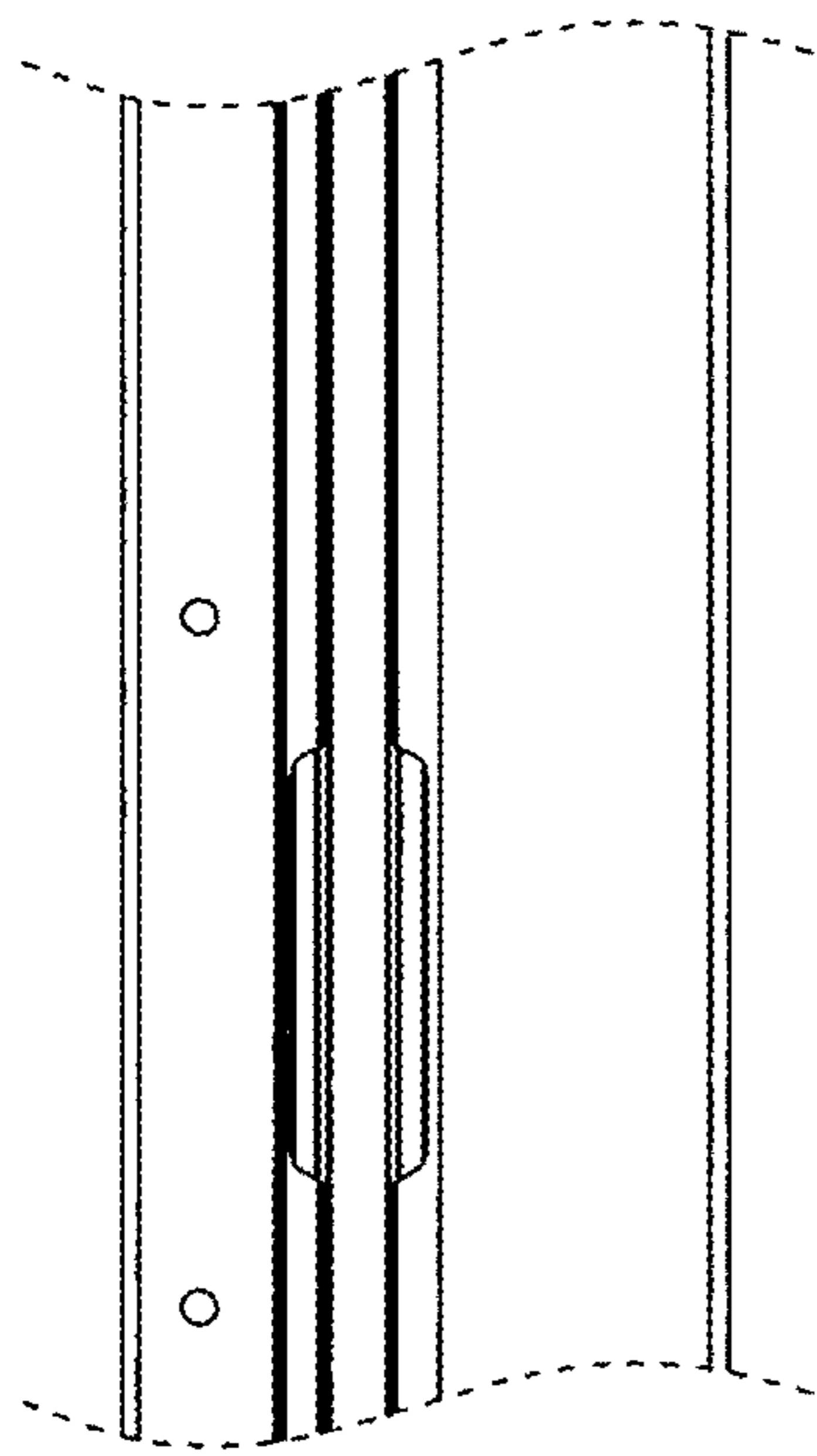
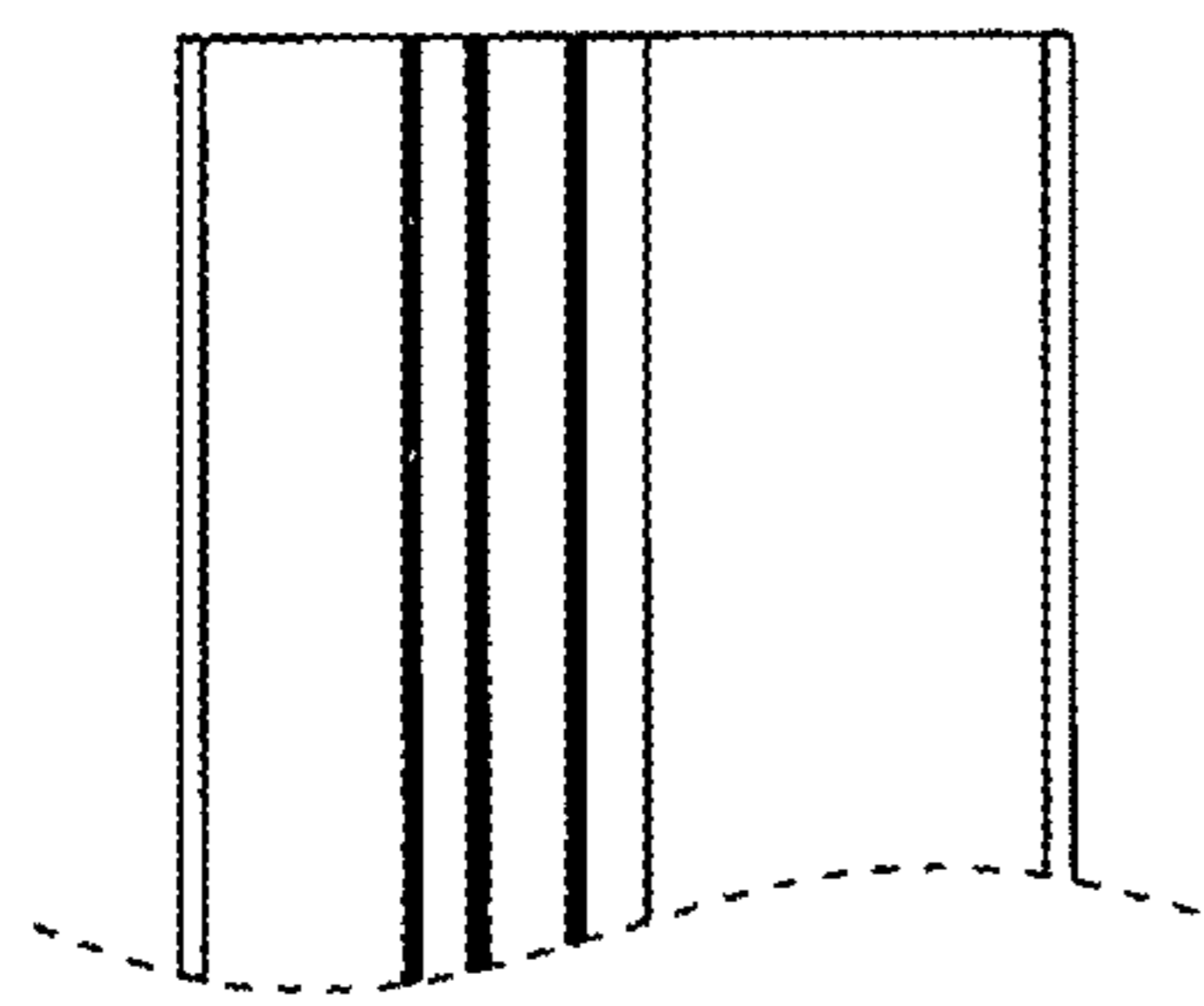


FIG. 5

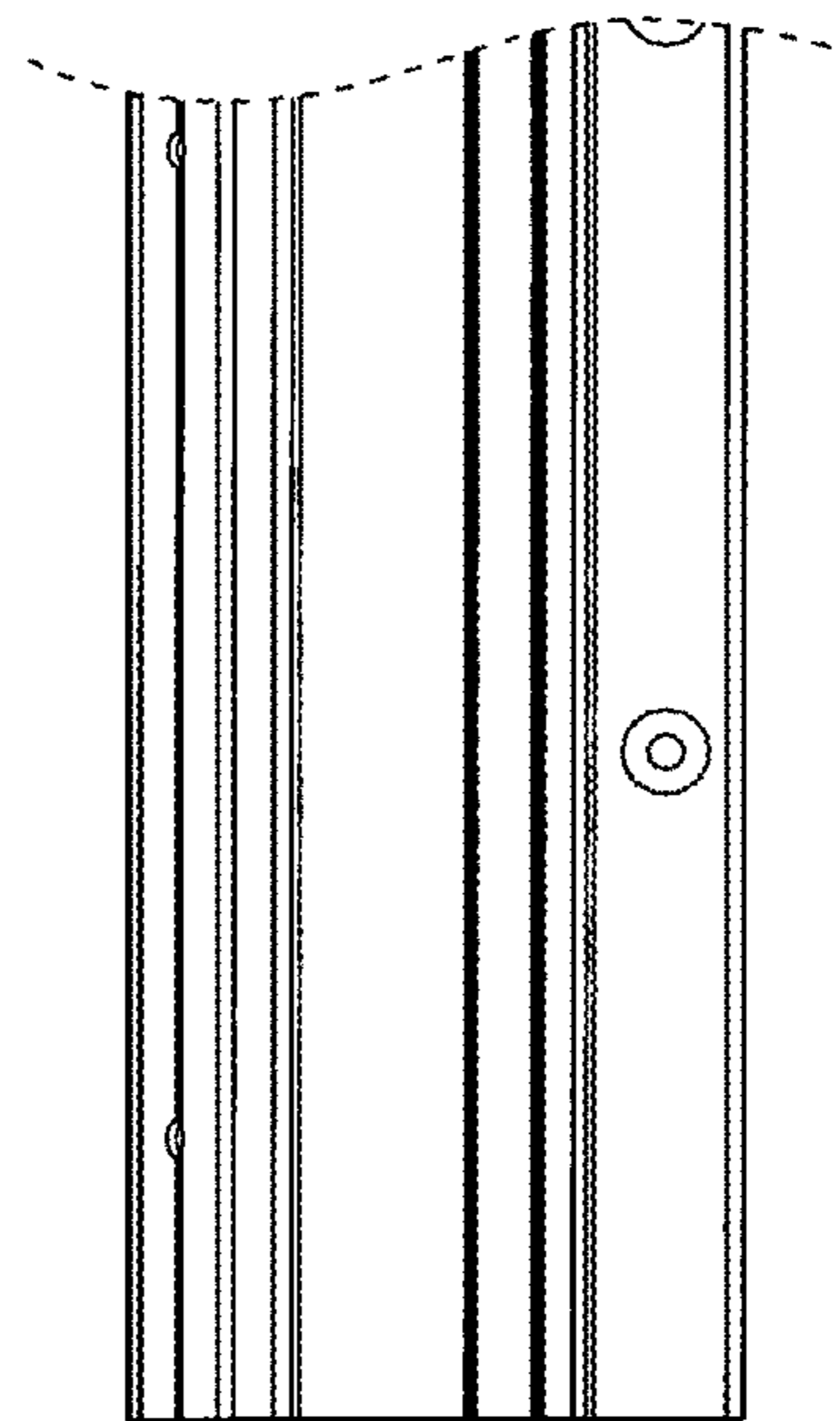
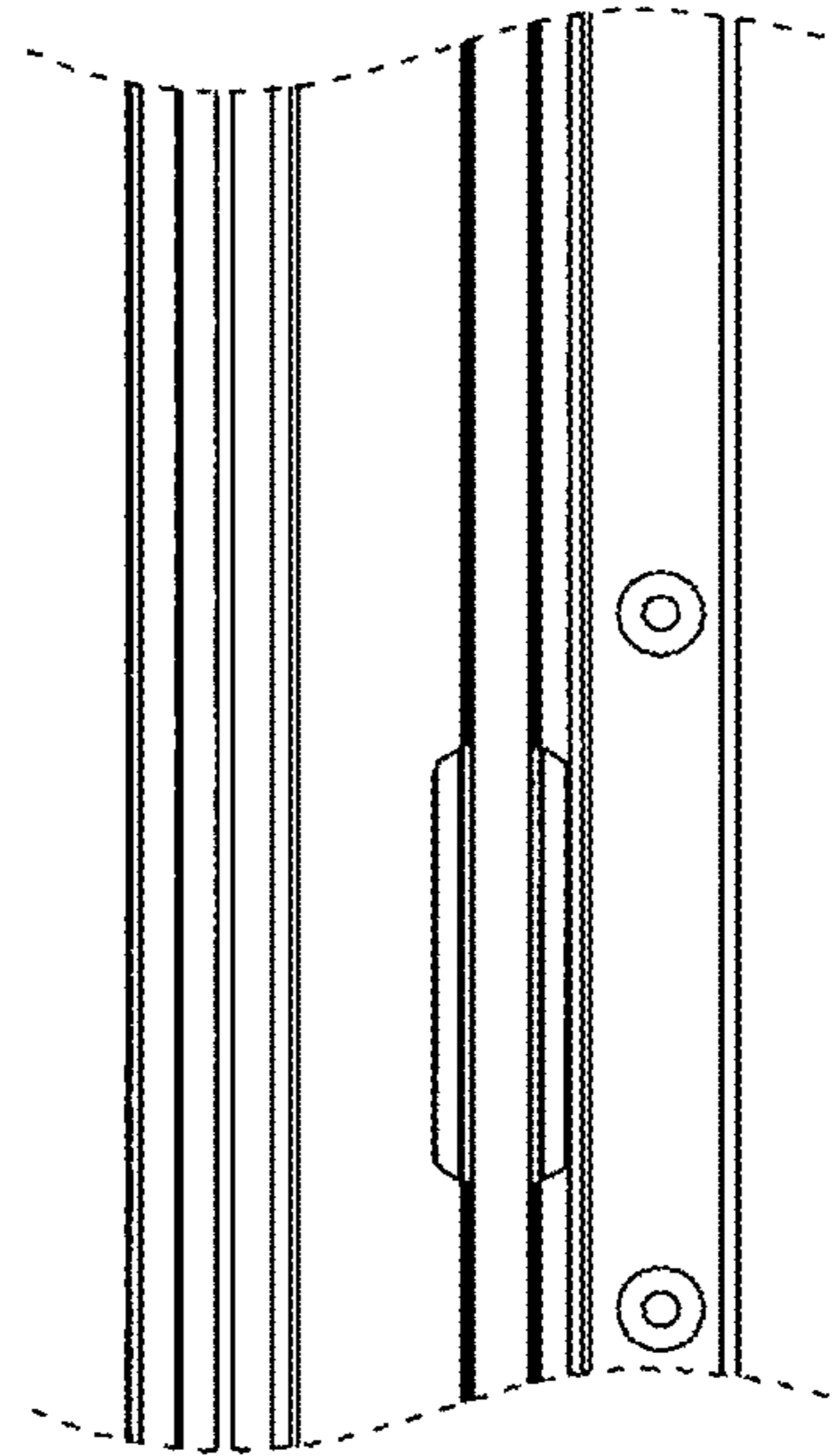
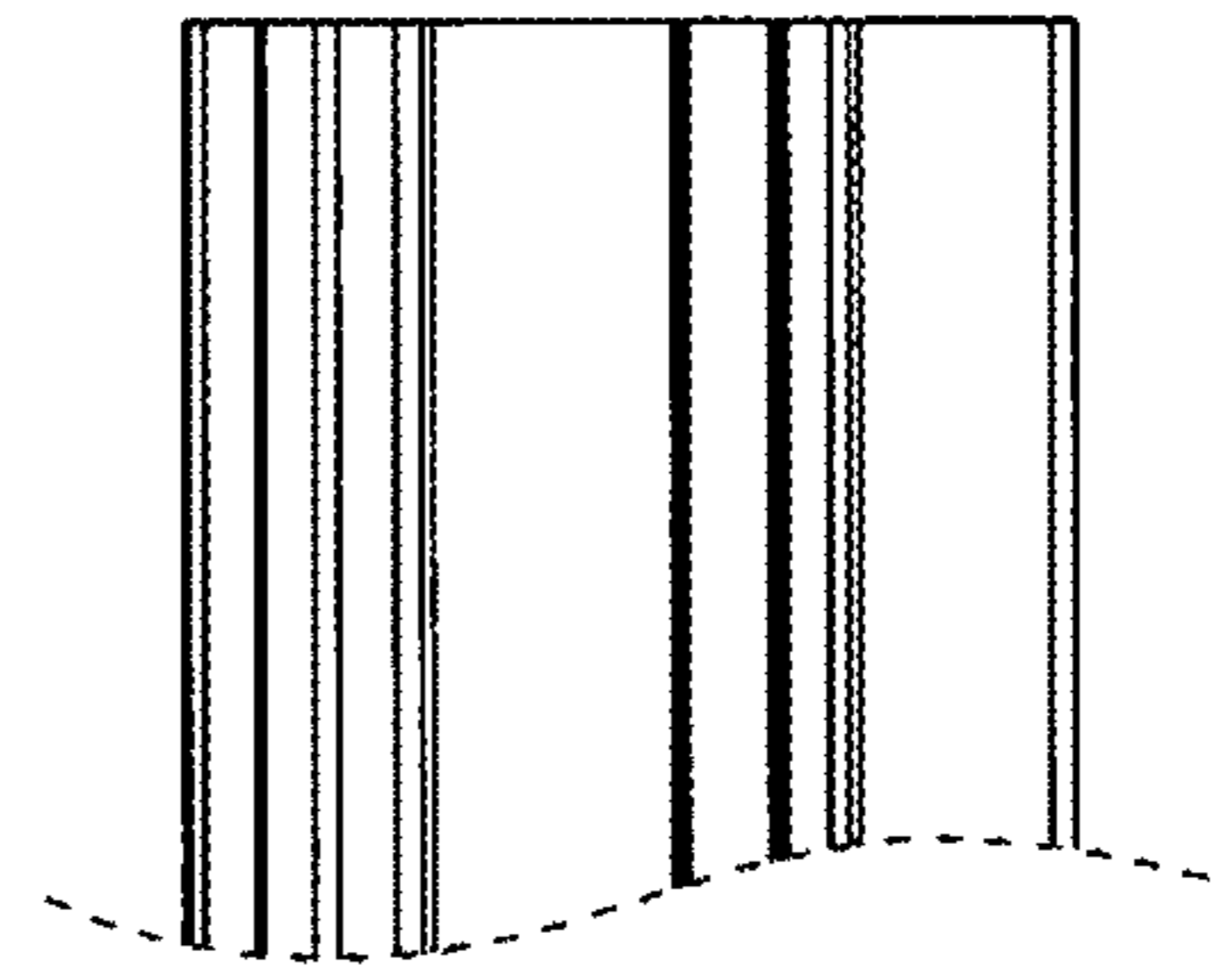


FIG. 6