



US00D953234S

(12) **United States Design Patent** (10) **Patent No.:** **US D953,234 S**
Duan (45) **Date of Patent:** **** May 31, 2022**

(54) **WINDSHIELD WIPER**
(71) Applicant: **Ningbo Meiyi Packaging Products Co., Ltd., Ningbo (CN)**
(72) Inventor: **Chunyang Duan, Ningbo (CN)**
(73) Assignee: **Ningbo Meiyi Packaging Products Co., Ltd., Ningbo (CN)**

D872,676 S 1/2020 Depondt
D894,813 S * 9/2020 Liang D12/219
D895,523 S * 9/2020 Tufts, Jr D12/220
D896,156 S * 9/2020 Tufts, Jr D12/220

* cited by examiner

Primary Examiner — Katrina A Betton
(74) *Attorney, Agent, or Firm* — ScienBiziP, P.C.

(**) Term: **15 Years**
(21) Appl. No.: **29/797,889**
(22) Filed: **Jul. 2, 2021**

(57) **CLAIM**

The ornamental design for a windshield wiper, as shown and described.

(51) **LOC (13) Cl.** **12-16**
(52) **U.S. Cl.**
USPC **D12/219**
(58) **Field of Classification Search**
USPC D12/219, 220
See application file for complete search history.

DESCRIPTION

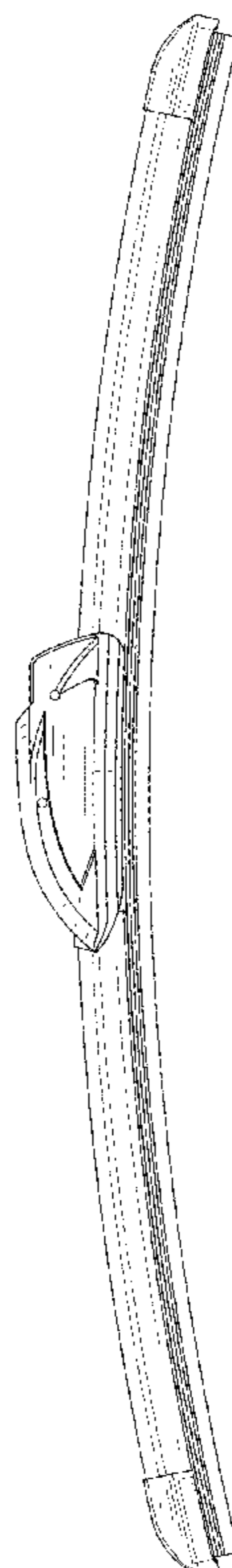
FIG. 1 is a front, right, and top perspective view of a windshield wiper, showing my design.
FIG. 2 is a front elevation view thereof.
FIG. 3 is a rear elevation view thereof.
FIG. 4 is a left side elevation view thereof.
FIG. 5 is a right side elevation view thereof.
FIG. 6 is a top plan view thereof.
FIG. 7 is a bottom plan view thereof.
FIG. 8 is a partial enlarged view of an area labeled 8 in FIG. 1 comprising an adjusting knob; and,
FIG. 9 is a cross-sectional view of the windshield wiper of FIG. 1, taken along section line 9-9 as depicted in FIG. 3. The broken lines shown in the drawings are included for the purpose of illustrating portions of the windshield wiper that form no part of the claimed design.

(56) **References Cited**

U.S. PATENT DOCUMENTS

D685,713 S * 7/2013 Wang D12/219
D686,557 S * 7/2013 Kwon D12/219
D688,617 S * 8/2013 An D12/219
D704,125 S * 5/2014 Kani D12/219
D732,455 S * 6/2015 Fujiwara D12/219
D799,401 S * 10/2017 Lee D12/219
D821,954 S * 7/2018 Hyun D12/219
D851,572 S 6/2019 Kraemer
D854,488 S * 7/2019 Hyun D12/219
D871,305 S * 12/2019 Zeng D12/219

1 Claim, 9 Drawing Sheets



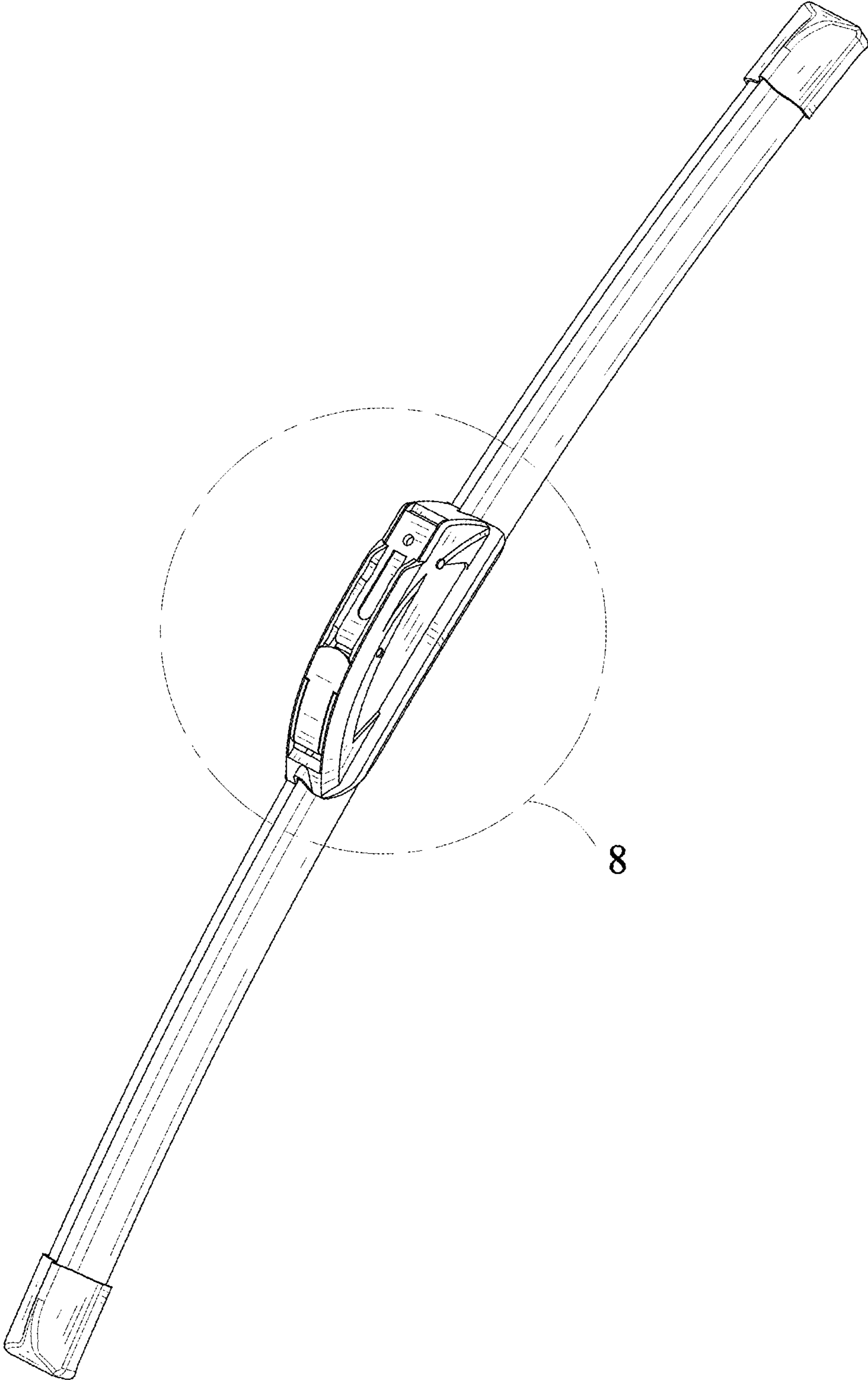


FIG. 1

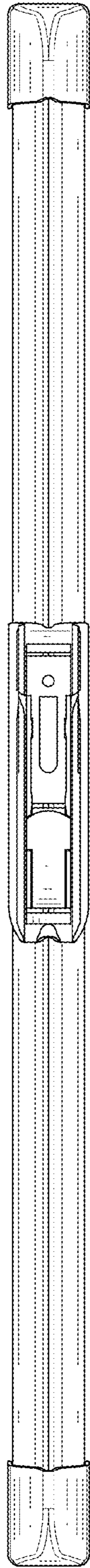


FIG. 2

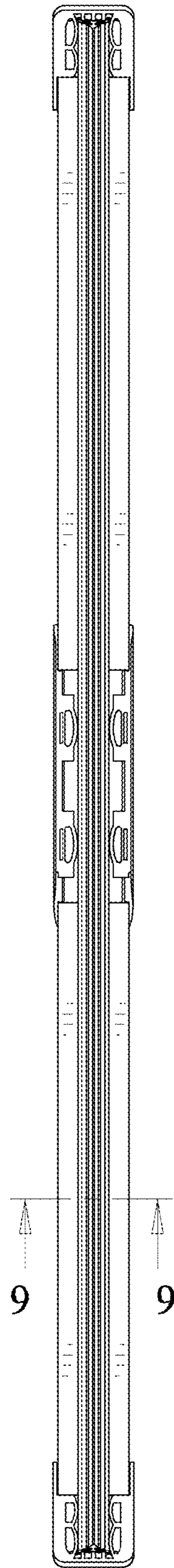


FIG. 3

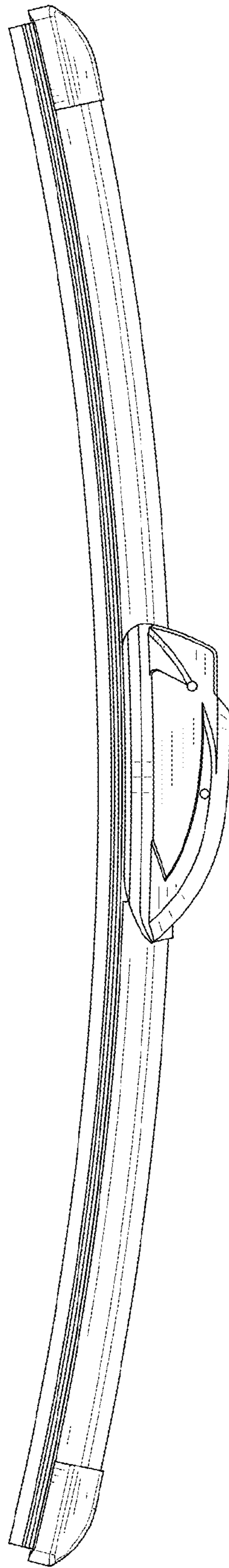


FIG. 4

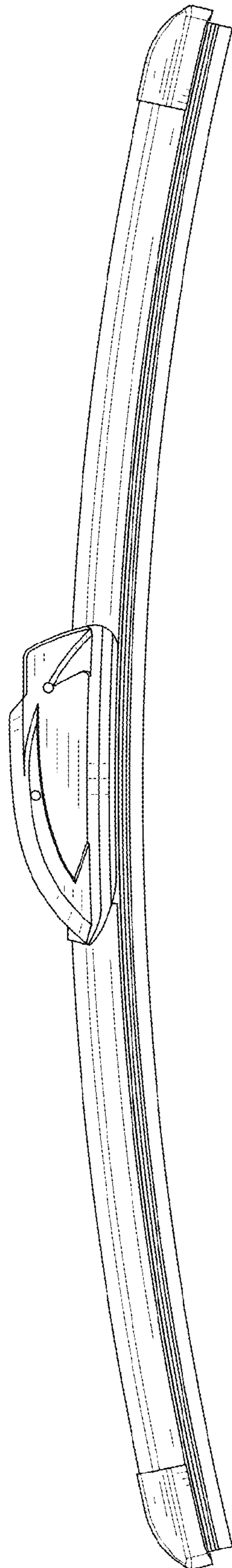


FIG. 5

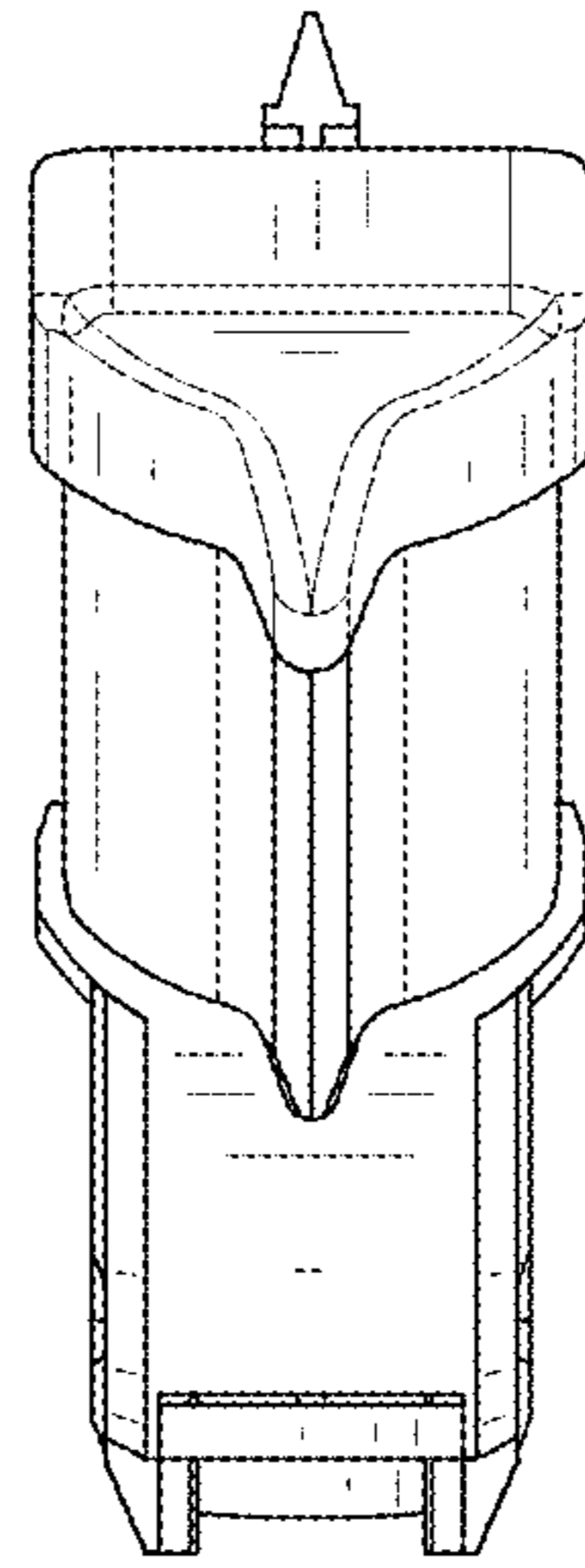


FIG. 6

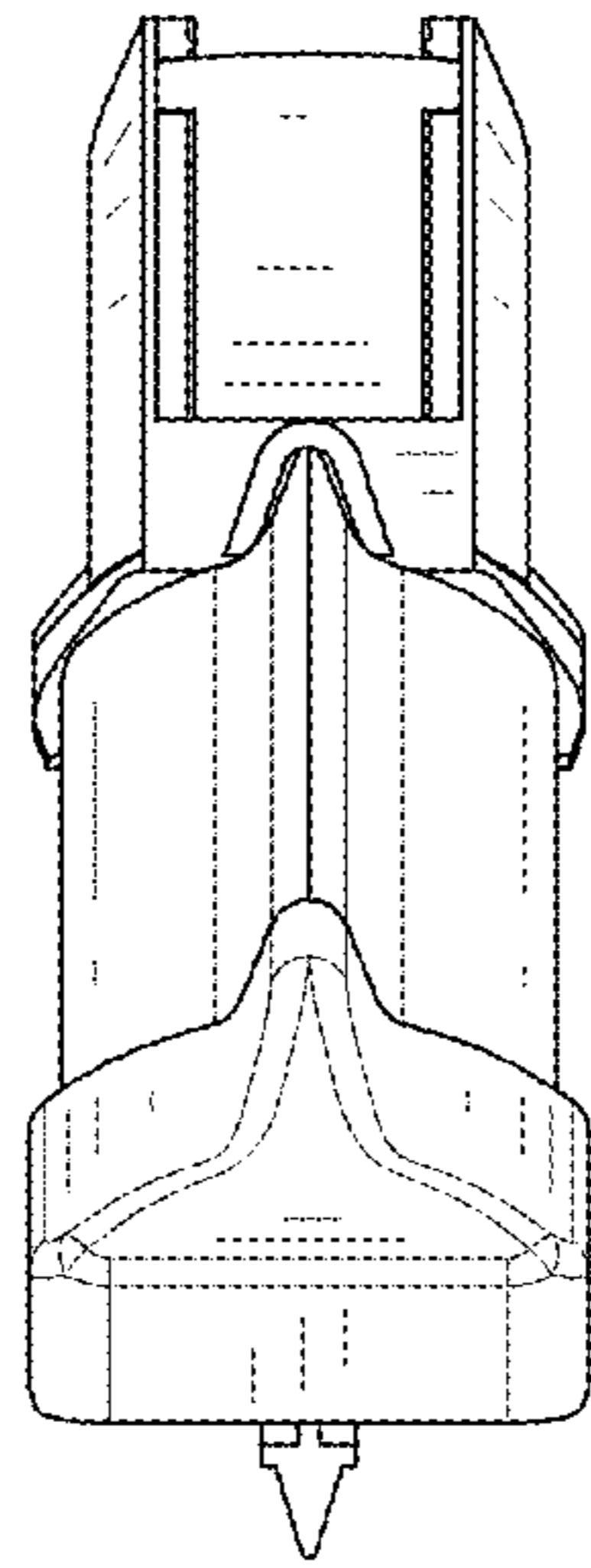


FIG. 7

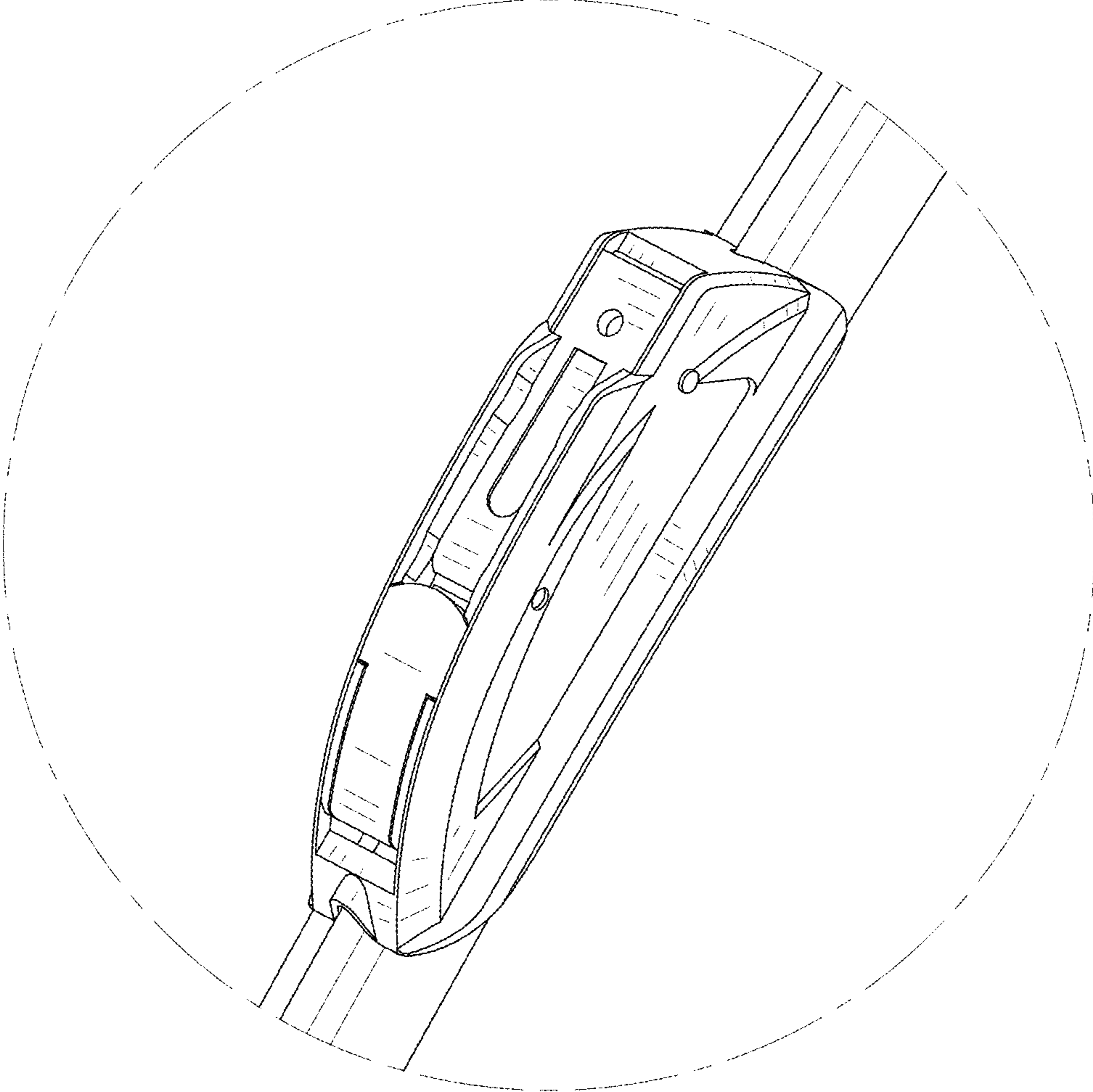


FIG. 8

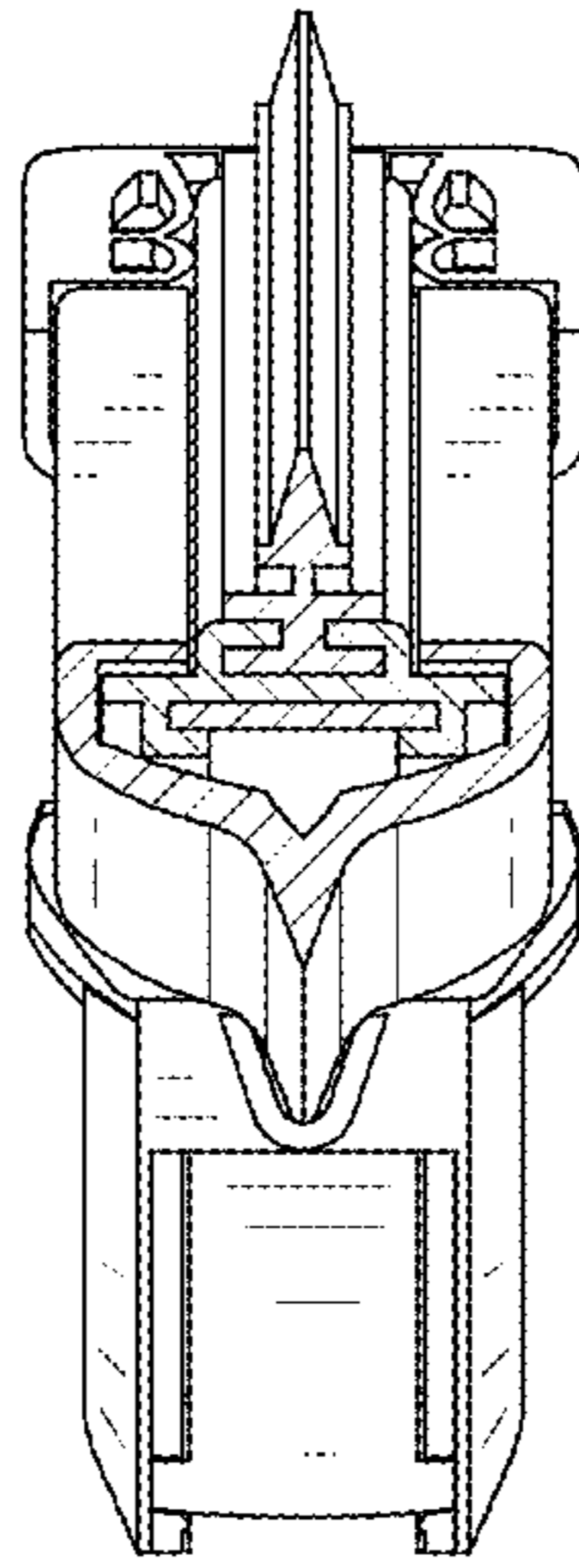


FIG. 9