



US00D953231S

(12) **United States Design Patent** (10) **Patent No.:** **US D953,231 S**
Li (45) **Date of Patent:** **** May 31, 2022**

(54) **TAILGATE FOR A VEHICLE**
(71) Applicant: **Bayerische Motoren Werke Aktiengesellschaft, Munich (DE)**

D919,532 S * 5/2021 Ruiz D12/196
D919,533 S * 5/2021 Zhao D12/196
D924,764 S * 7/2021 Wraith D12/196
D924,765 S * 7/2021 Hunwick D12/196

(Continued)

(72) Inventor: **Tianyuan Li, Munich (DE)**
(73) Assignee: **Bayerische Motoren Werke Aktiengesellschaft, Munich (DE)**

FOREIGN PATENT DOCUMENTS

WO WO DM/209878 2/2021

(**) Term: **15 Years**
(21) Appl. No.: **29/765,986**
(22) Filed: **Jan. 13, 2021**

OTHER PUBLICATIONS

Liftgates. (Design—© Questel) orbit.com. [Online PDF compilation of references] 55 pgs. Print Dates Range Jul. 4, 2018-Mar. 11, 1992 [Retrieved Jan. 27, 2022].*

(Continued)

(30) **Foreign Application Priority Data**

Jul. 21, 2020 (DE) 402020100678.5

(51) **LOC (13) Cl.** **12-16**

(52) **U.S. Cl.**
USPC **D12/196**

(58) **Field of Classification Search**
USPC D12/88, 90, 91, 92, 181, 184, 190, 193,
D12/195, 196, 400, 414; D21/424, 433,
D21/434

CPC B62D 25/08; B62D 25/00; B62D 25/02;
B62D 25/003; B62D 33/0273; B62D
33/033; B62D 24/02

See application file for complete search history.

Primary Examiner — Manpreet S Matharu
Assistant Examiner — Suzanne E Tisdell
(74) *Attorney, Agent, or Firm* — Crowell & Moring LLP

(57) **CLAIM**

The ornamental design for a tailgate for a vehicle, as shown and described.

DESCRIPTION

This application contains subject matter related to the following co-pending U.S. design patent applications: Application Ser. No. 29/747,499, filed Aug. 24, 2020 and entitled “Tailgate for a Vehicle”; and Application Ser. No. 29/765,980, filed herewith and entitled “Vehicle, Toy, and/or Replicas Thereof”.

FIG. 1 is a front view of a tailgate for a vehicle according to the design;

FIG. 2 is a left, bottom perspective view thereof;

FIG. 3 is a right, front perspective view thereof;

FIG. 4 is a left side view thereof;

FIG. 5 is a right side view thereof;

FIG. 6 is a top view thereof;

FIG. 7 is a bottom view thereof; and,

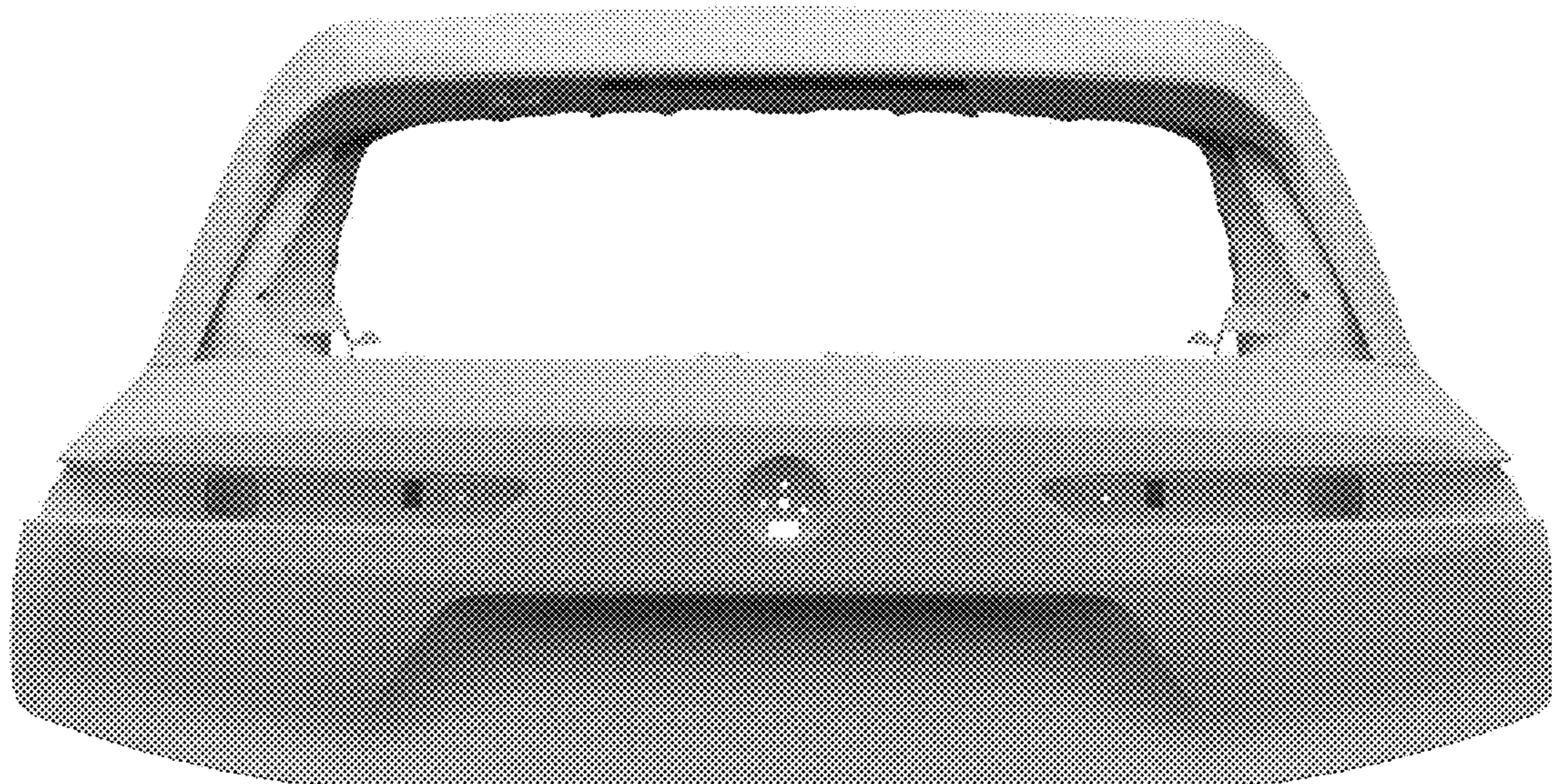
FIG. 8 is a rear view thereof.

(56) **References Cited**

U.S. PATENT DOCUMENTS

10,189,337 B2 * 1/2019 Kuntze B60J 5/107
D840,308 S 2/2019 Schneider
D883,165 S * 5/2020 Woodhouse D12/196
D883,885 S * 5/2020 Metros D12/196
D887,333 S * 6/2020 Owens D12/196
D889,344 S * 7/2020 Tonello D12/196
D897,919 S * 10/2020 Choi D12/196
D913,888 S * 3/2021 Piaskowski D12/196

1 Claim, 8 Drawing Sheets



(56)

References Cited

U.S. PATENT DOCUMENTS

D930,541 S * 9/2021 Theis D12/196
D937,726 S * 12/2021 Meyer D12/196

OTHER PUBLICATIONS

BMW X1 Power Liftgate. Jul. 26, 2017. Autoease, <https://www.che1.com/bmw-x1-power-liftgate-retrofit/>.*

Tailgate BMW X1. 2018. B Parts, <https://www.b-parts.com/en/store/products/2434128/tailgate-bmw-x1-f48-sdrive-18-d-2014/>.*

Tailgate Privacy Tint Glass. 2017. EBay, <https://www.ebay.com/itm/284568512297?fits=Model%3AX1%7CMake%3ABMW&trkparms=ispr%3D1&hash=item42419ae729:g:p8gAAOSwsjthuLe2&amdata=enc%3AAQAGAAACkPYe5NmHp%252B2JMhMi7yxGiTJkPrKr5t53CooMSQt2orsSS2tefNAzyjxA1Q1YVqaAQDI16V6UsDWRoDwDKVx9lbGXcqdaz0nYddMzLaVRe2NLGMo7wyHUwxOK4>.*

* cited by examiner

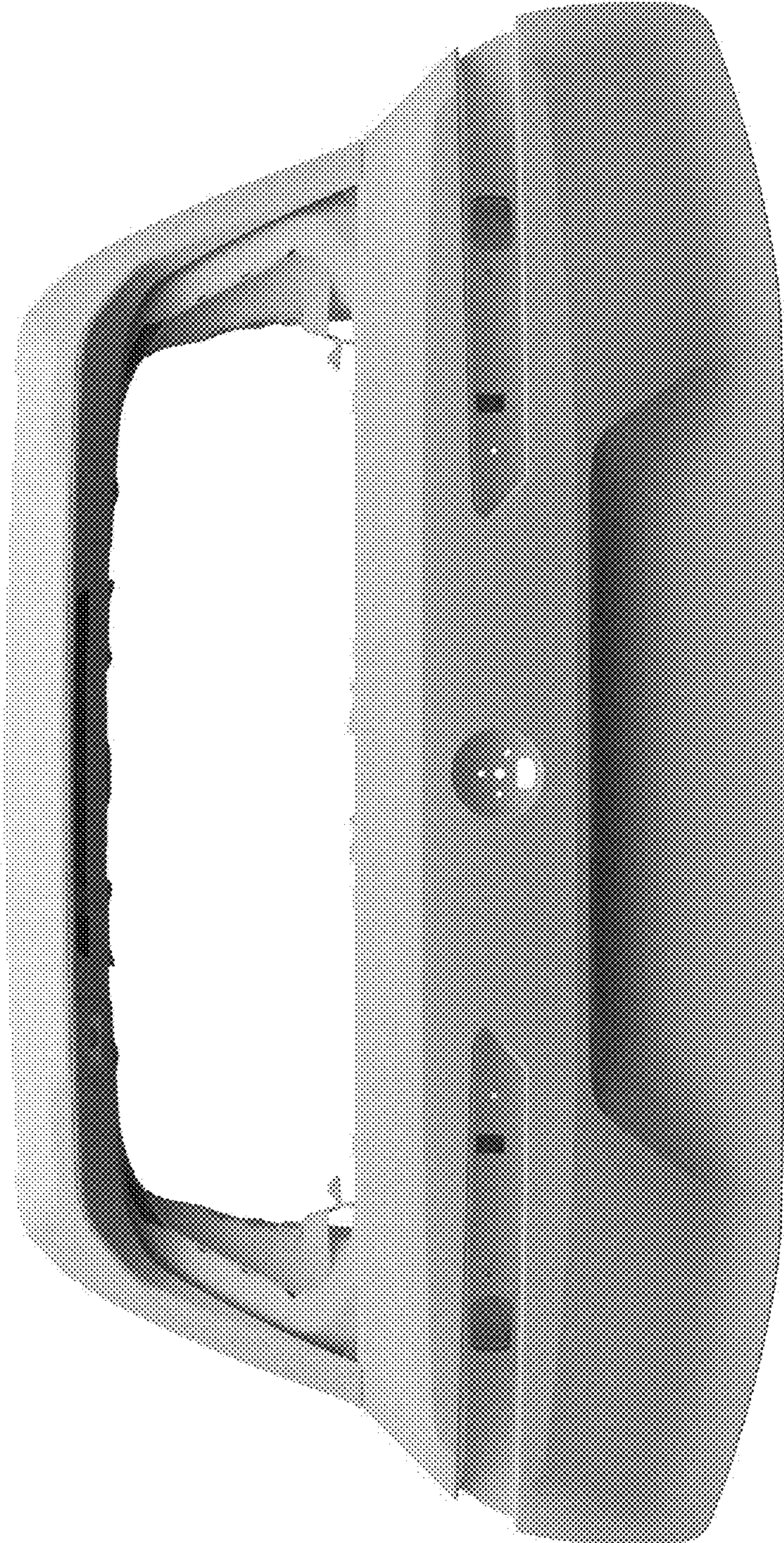


Fig. 1



Fig. 2

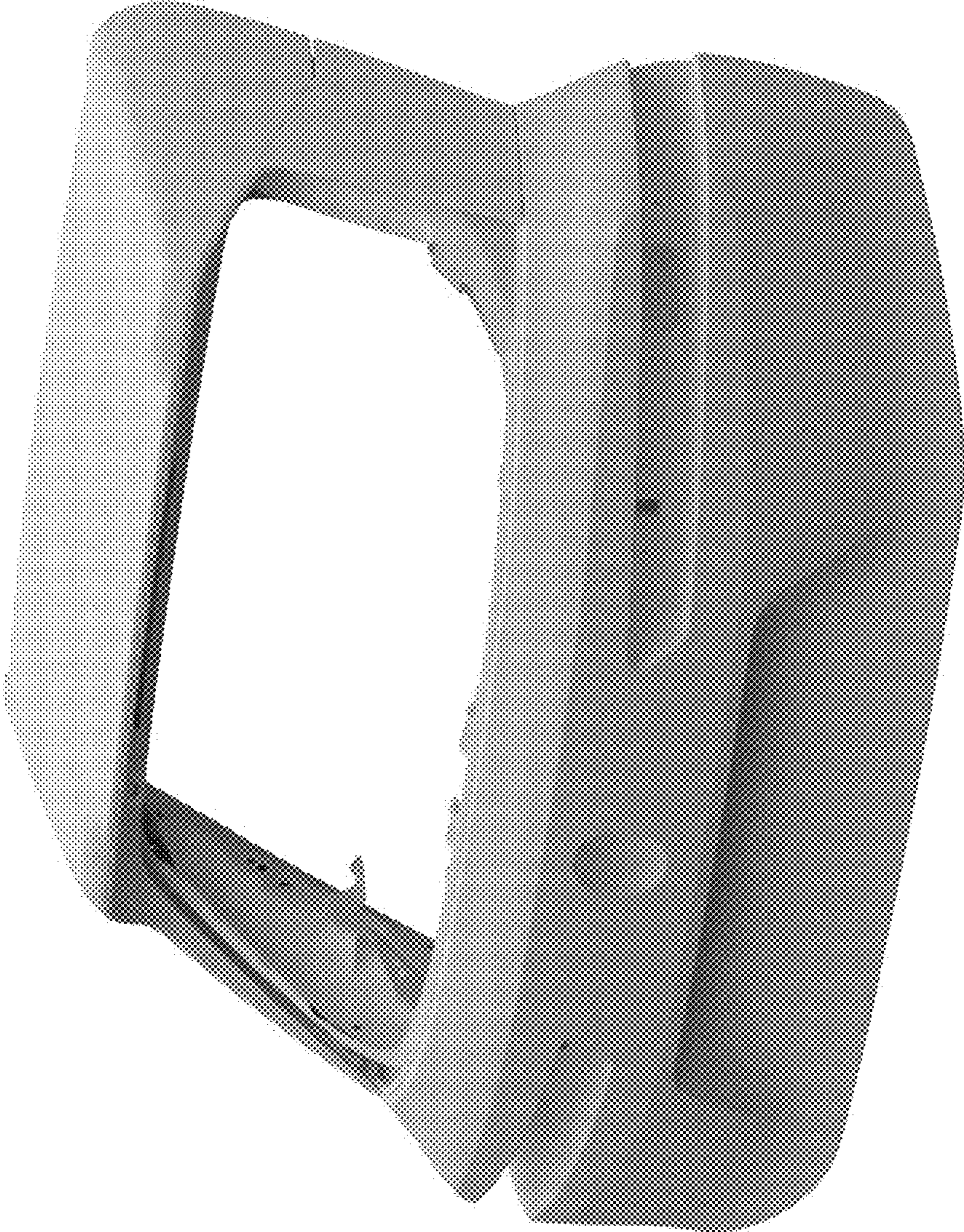


Fig. 3

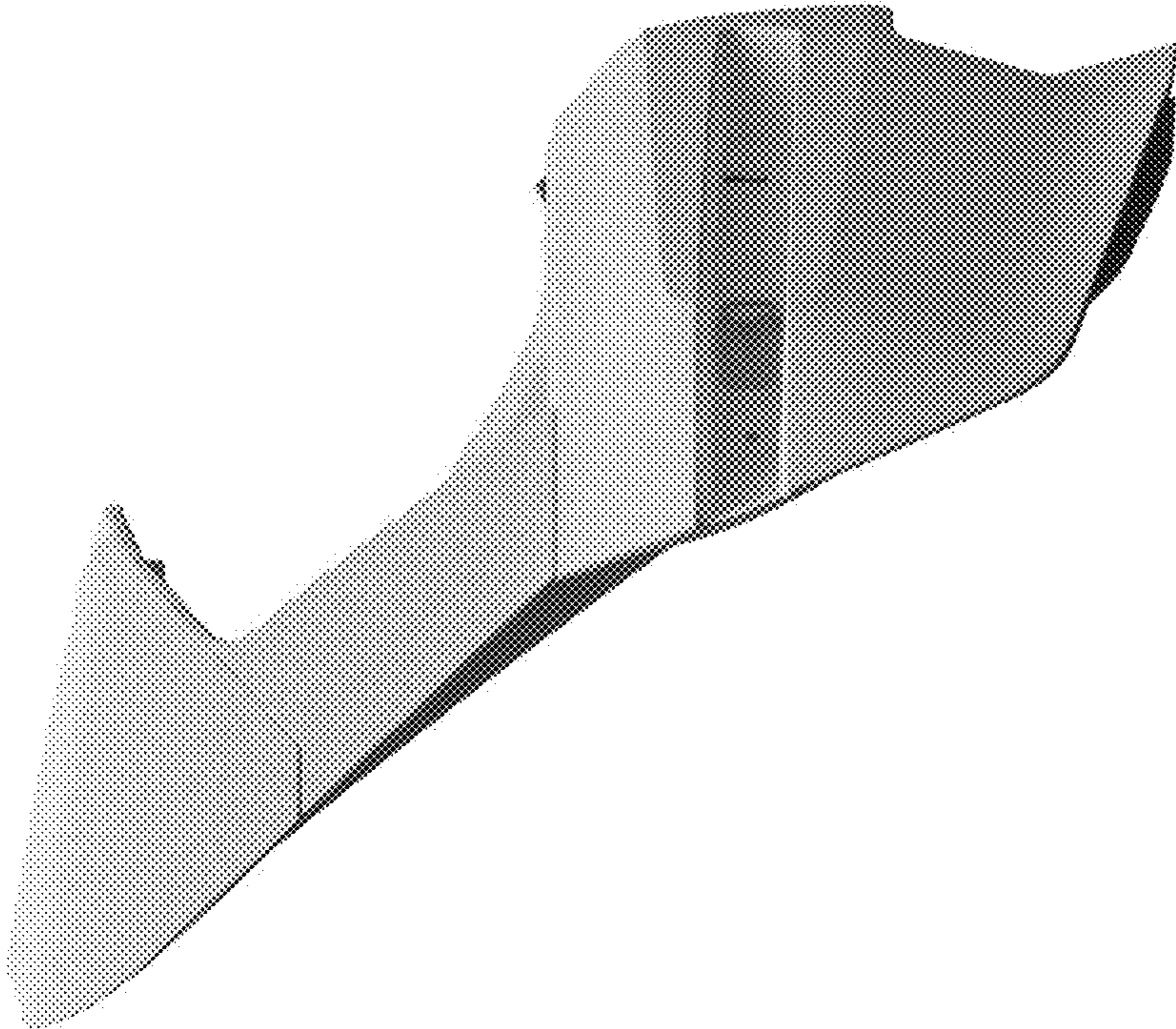


Fig. 4

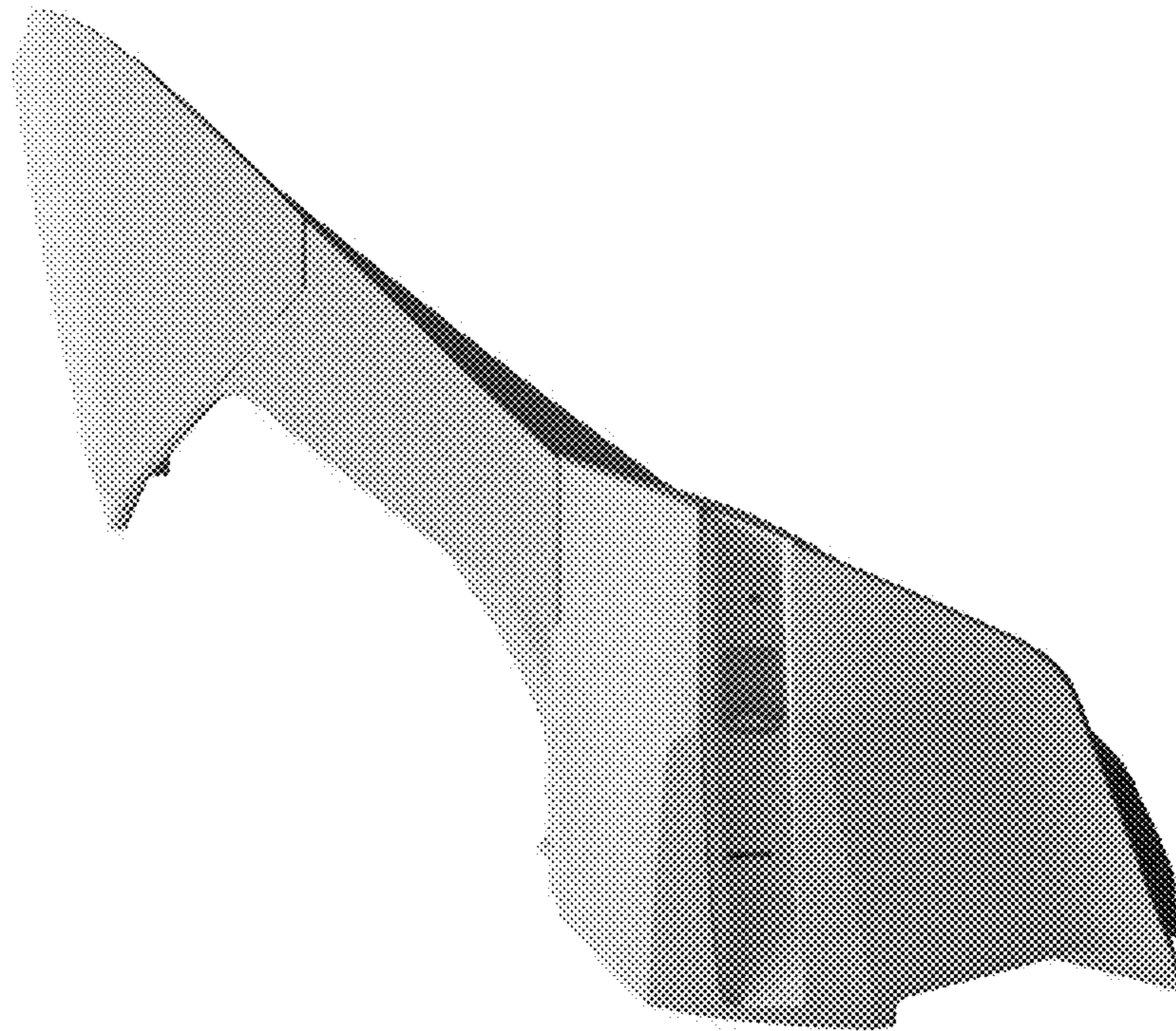


Fig. 5

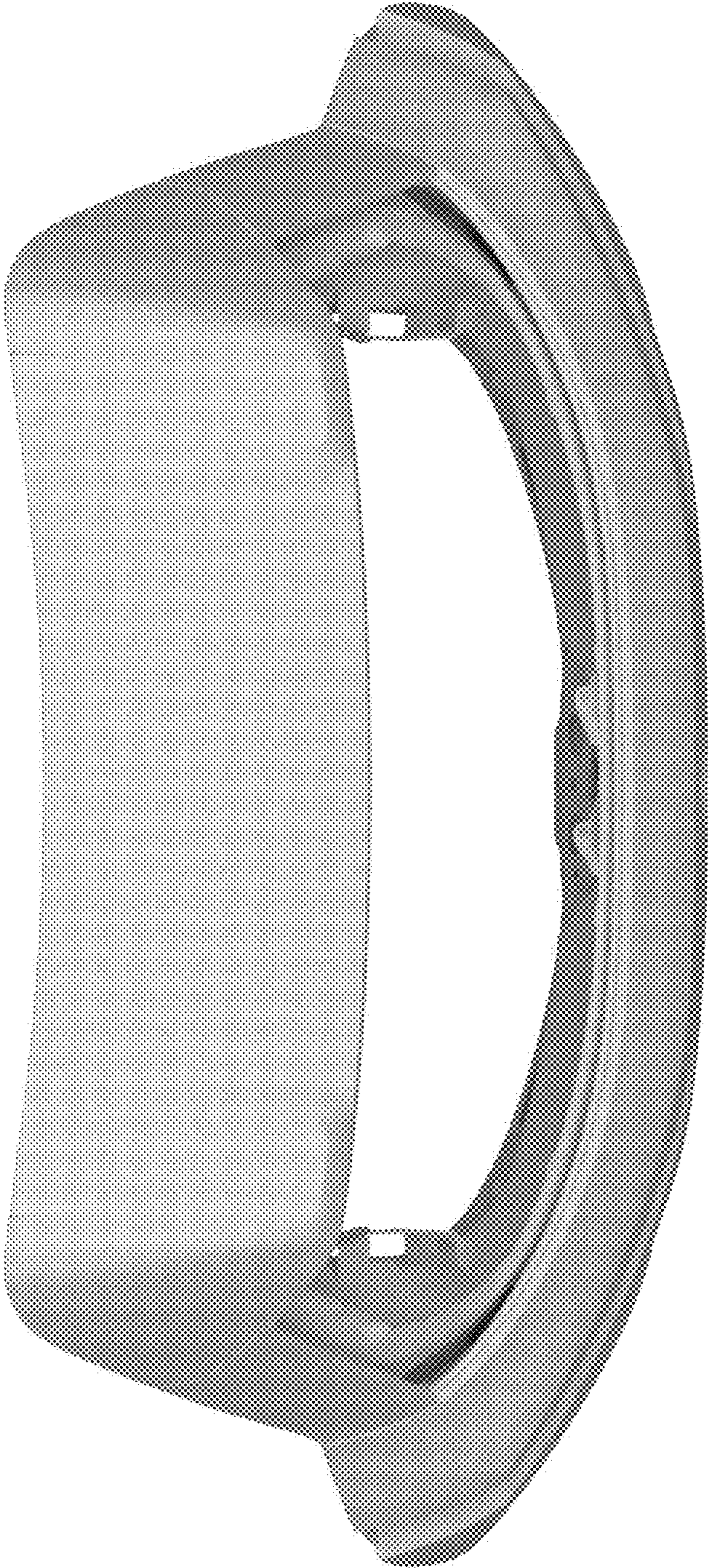


Fig. 6

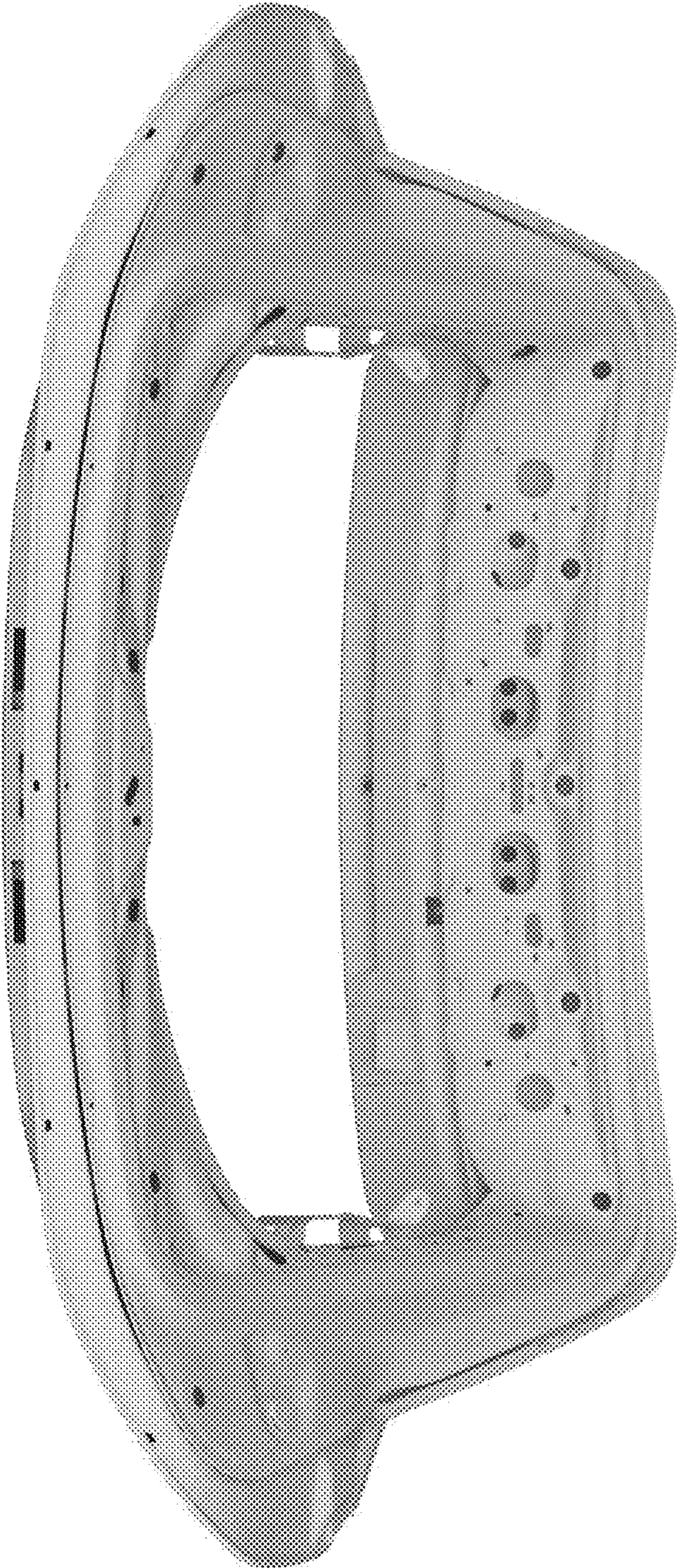


Fig. 7

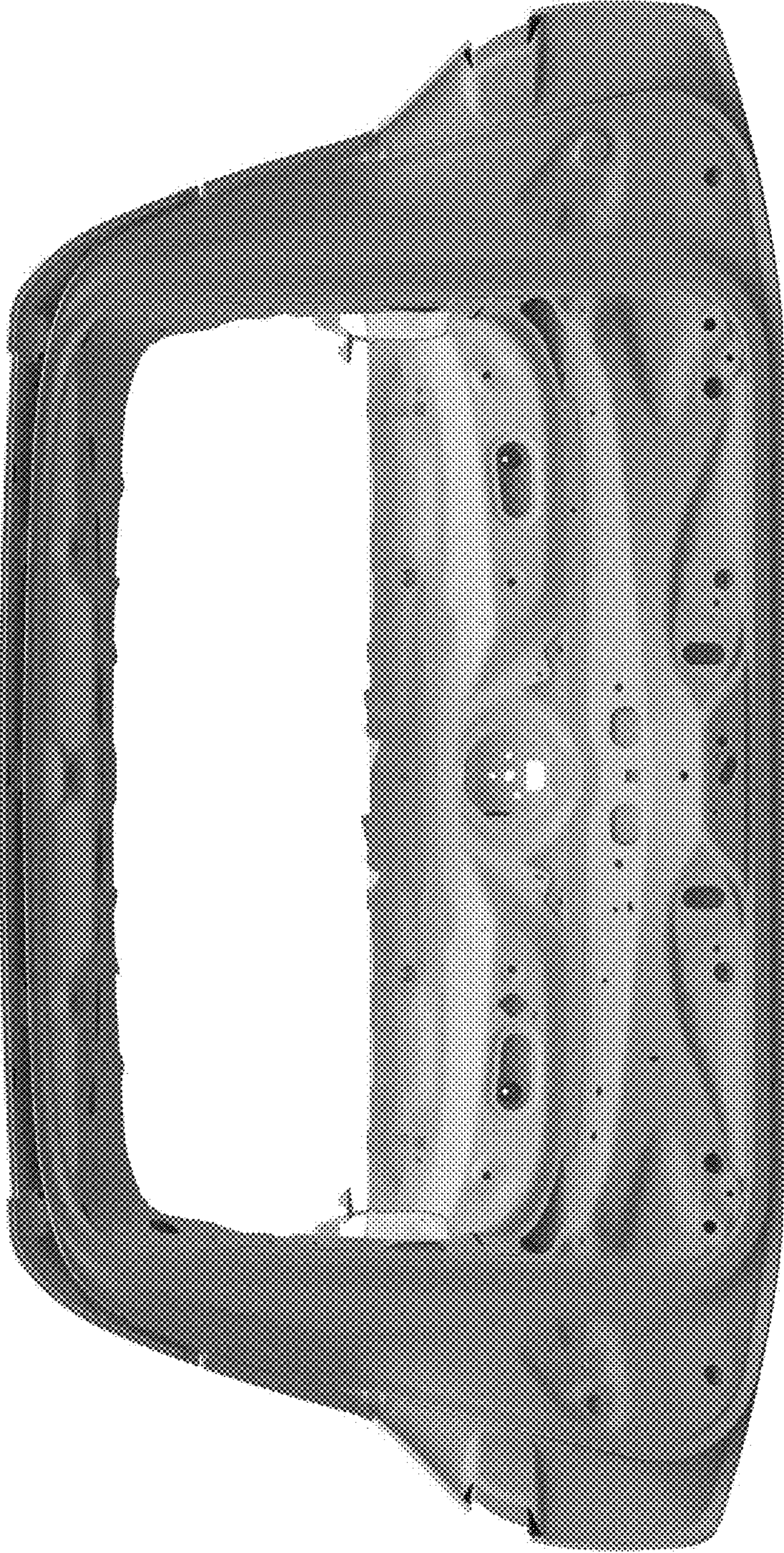


Fig. 8