



US00D953229S

(12) **United States Design Patent** (10) **Patent No.:** **US D953,229 S**  
**Schneider et al.** (45) **Date of Patent:** **\*\* \*May 31, 2022**

(54) **INSTRUMENT PANEL**

(71) Applicants: **Rivian IP Holdings, LLC**, Irvine, CA (US); **Amazon Technologies, Inc.**, Seattle, WA (US)

(72) Inventors: **David Schneider**, Ann Arbor, MI (US); **Zulfiquar Ali**, West Bloomfield, MI (US); **Nicholas Adam Malachowski**, Bloomfield Hills, MI (US); **John Sokol**, Sammamish, WA (US); **Ross Rachey**, Bellevue, WA (US); **Benjamin Hewitt**, Seattle, WA (US); **Christopher Gordon**, Bellevue, WA (US)

(73) Assignees: **Rivian IP Holdings, LLC**, Irvine, CA (US); **Amazon Technologies, Inc.**, Seattle, CA (US)

(\*) Notice: This patent is subject to a terminal disclaimer.

(\*\*) Term: **15 Years**

(21) Appl. No.: **29/722,851**

(22) Filed: **Feb. 2, 2020**

(51) **LOC (13) Cl.** ..... **12-16**

(52) **U.S. Cl.**  
USPC ..... **D12/192**

(58) **Field of Classification Search**  
USPC ..... D12/191, 192, 190, 195, 345, 415-420, D12/400, 110, 114, 106, 96, 99; D14/157, 485, 489, 492, 488, 490; D15/17, 28  
CPC ..... B60H 1/34; B60H 1/3407; B60H 1/3414; B60H 1/3421; B60H 1/3428; B60H 1/3435; B60H 1/3442; B60H 1/345; B60H 1/3457; B60H 1/0055

See application file for complete search history.

(56) **References Cited**

U.S. PATENT DOCUMENTS

D551,144 S *	9/2007	Shinoda .....	D12/192
D621,761 S *	8/2010	Wiedeman .....	D12/192
D696,997 S *	1/2014	Higashikawa .....	D12/192
D705,143 S *	5/2014	Kawashima .....	D12/192
D778,796 S *	2/2017	Gommier .....	D12/192
D786,758 S *	5/2017	Chang .....	D12/192
D795,146 S *	8/2017	Ogawa .....	D12/192
D837,118 S *	1/2019	Takada .....	D12/192
D847,054 S *	4/2019	Yamada .....	D12/192
D847,057 S *	4/2019	Kono .....	D12/192
D853,919 S *	7/2019	Hazumi .....	D12/192
D860,892 S *	9/2019	Ohmori .....	D12/192

(Continued)

*Primary Examiner* — Susan E Krakower

*Assistant Examiner* — Jerry Shiuan-Hua Hsu

(74) *Attorney, Agent, or Firm* — Haley Guiliano LLP

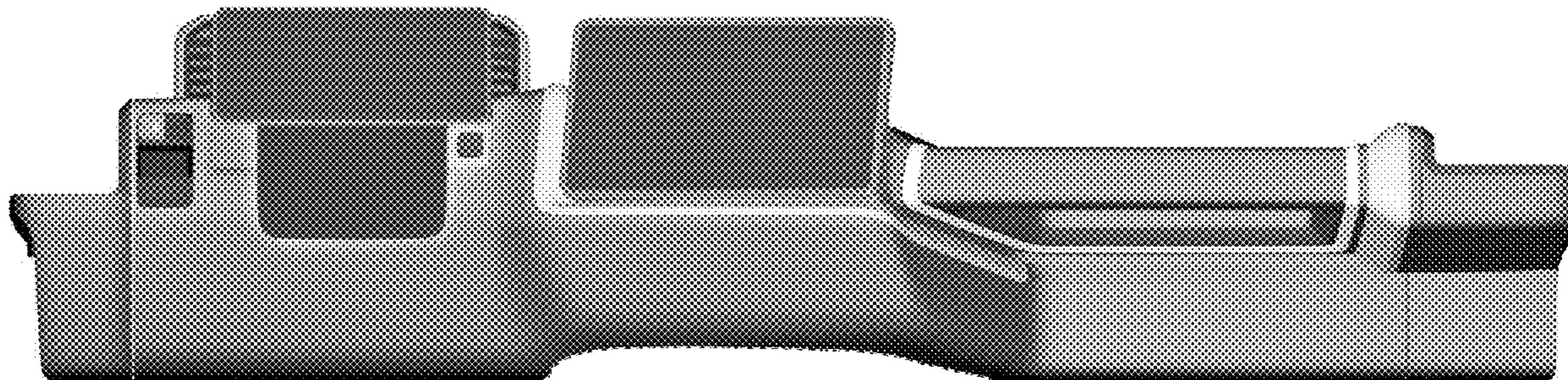
(57) **CLAIM**

The ornamental design for an instrument panel as shown and described.

**DESCRIPTION**

FIG. 1 is a front view of an instrument panel showing the claimed design;  
FIG. 2 is a left-side view of the instrument panel;  
FIG. 3 is a right-side view of the instrument panel;  
FIG. 4 is a top view of the instrument panel;  
FIG. 5 is a rear view of the instrument panel;  
FIG. 6 is a front left corner perspective view of the instrument panel;  
FIG. 7 is a front right corner perspective view of the instrument panel;  
FIG. 8 is a rear left corner perspective view of the instrument panel; and,  
FIG. 9 is a rear right corner perspective view of the instrument panel.

(Continued)



The dashed broken lines represent boundaries of the design; the dash broken lines themselves and the areas within form no part of the claimed design.

**1 Claim, 9 Drawing Sheets**

(56) **References Cited**

U.S. PATENT DOCUMENTS

D884,569 S \* 5/2020 Roo-Clefas ..... D12/192  
D908,075 S \* 1/2021 Park ..... D12/415

\* cited by examiner

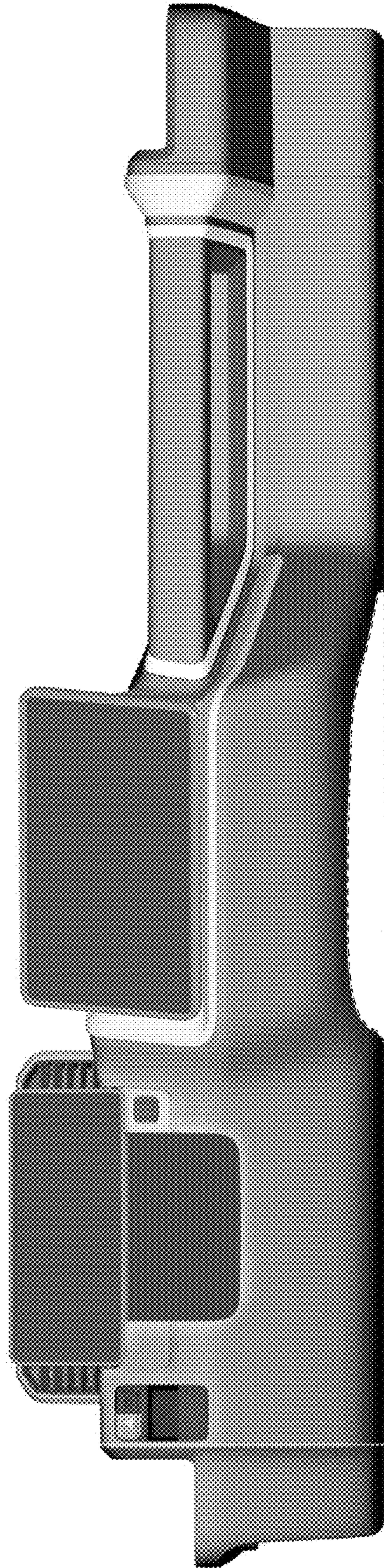


FIG. 1

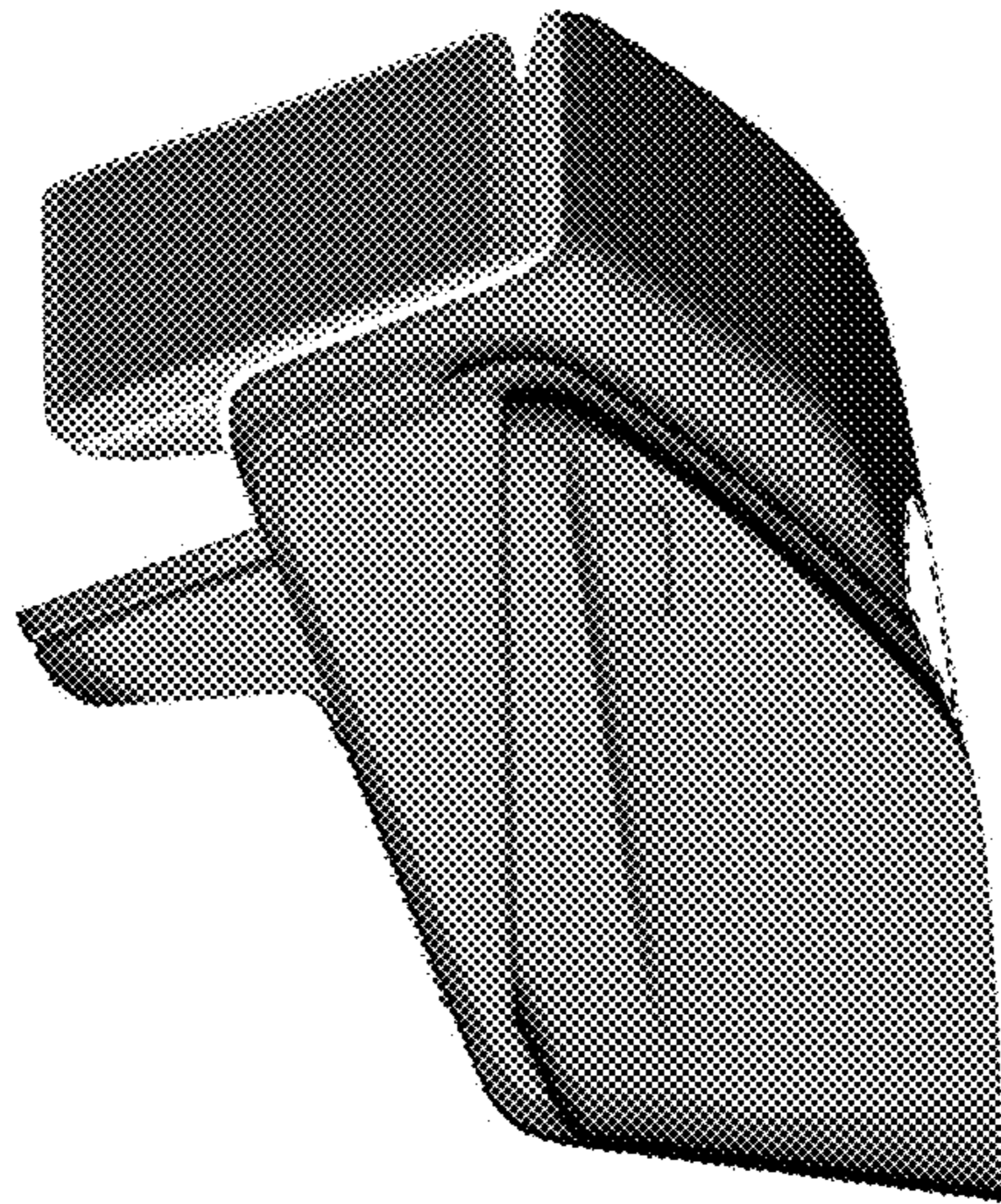


FIG. 2



FIG. 3

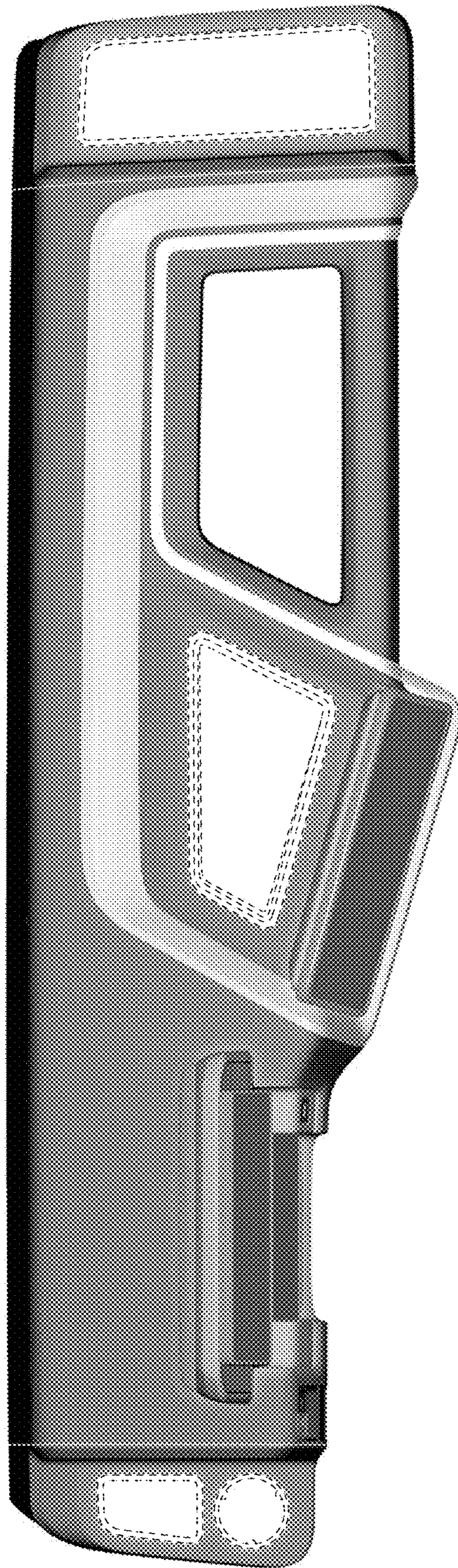


FIG. 4

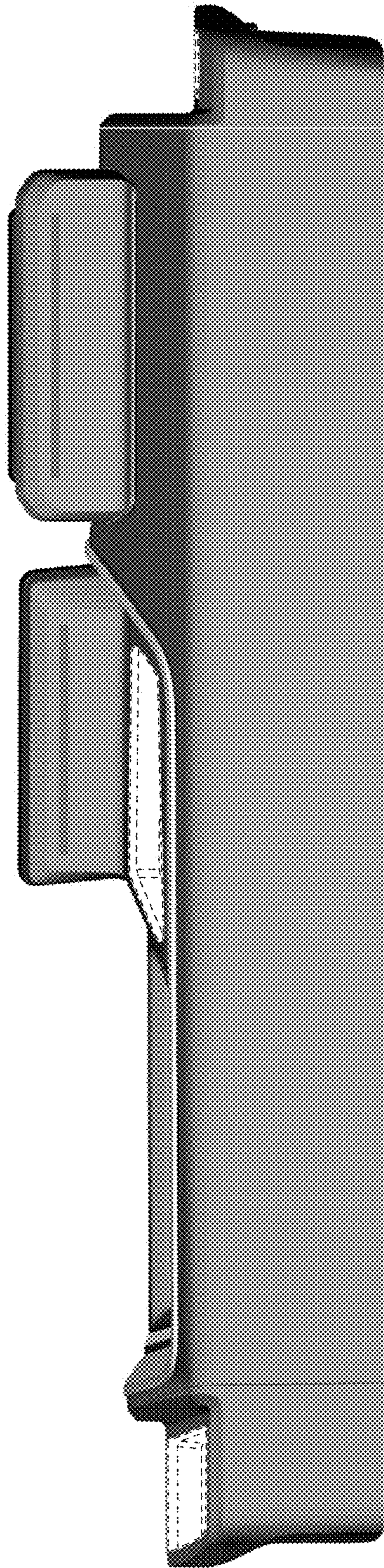


FIG. 5

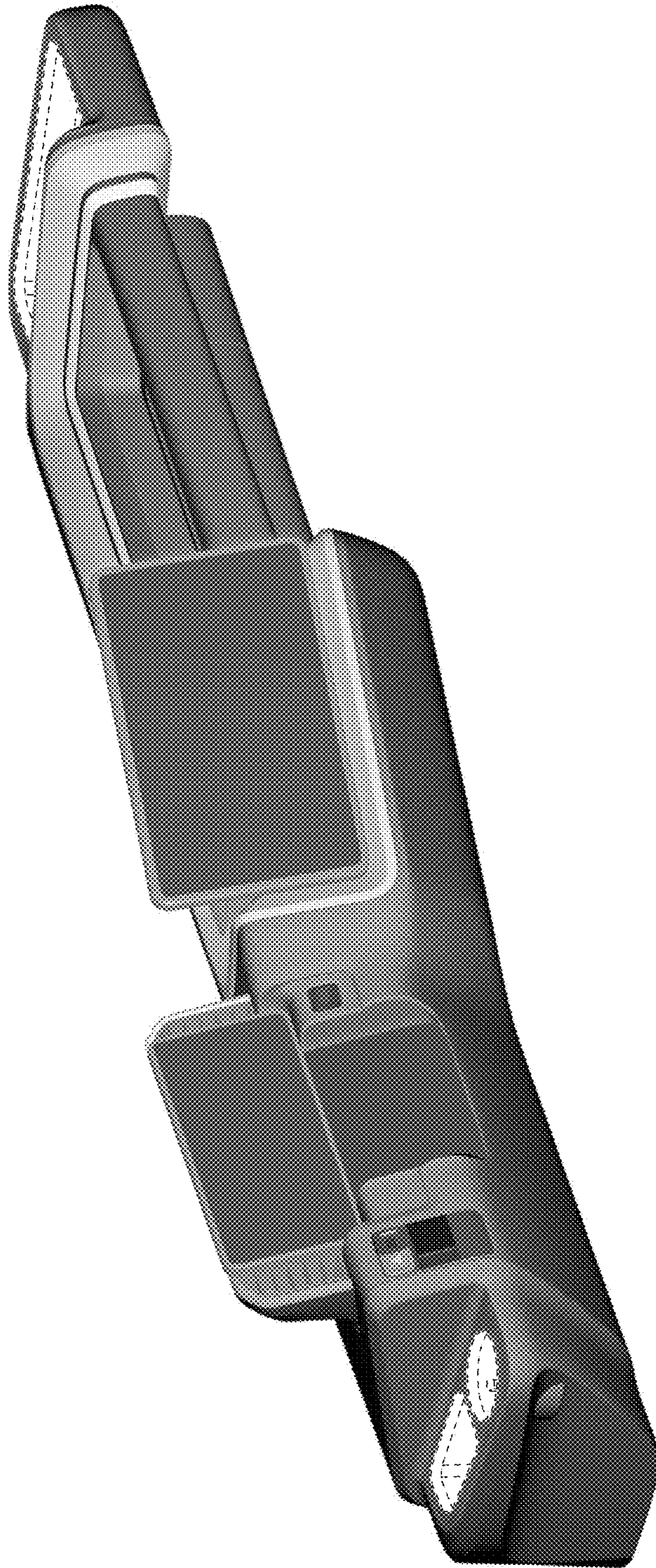


FIG. 6



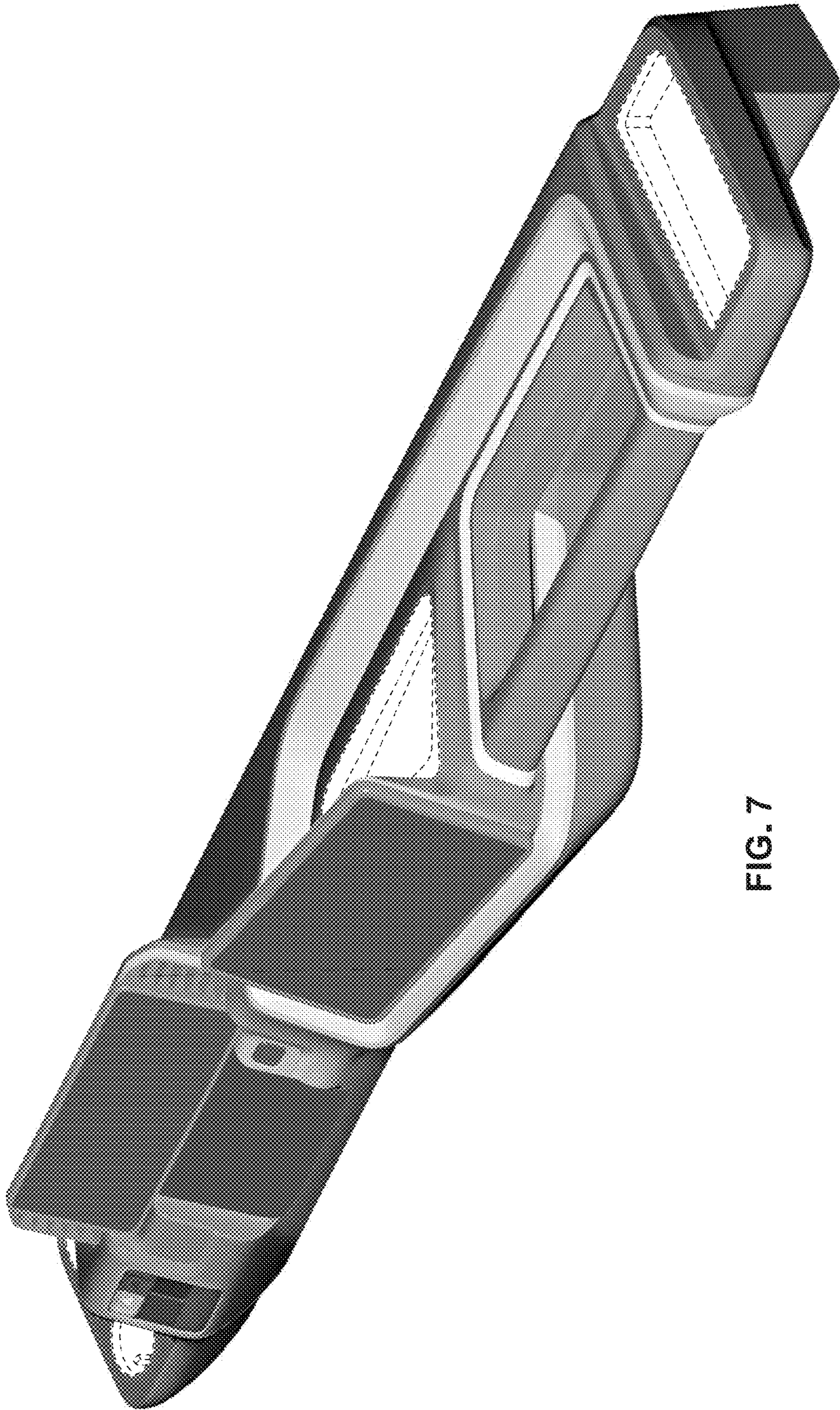


FIG. 7

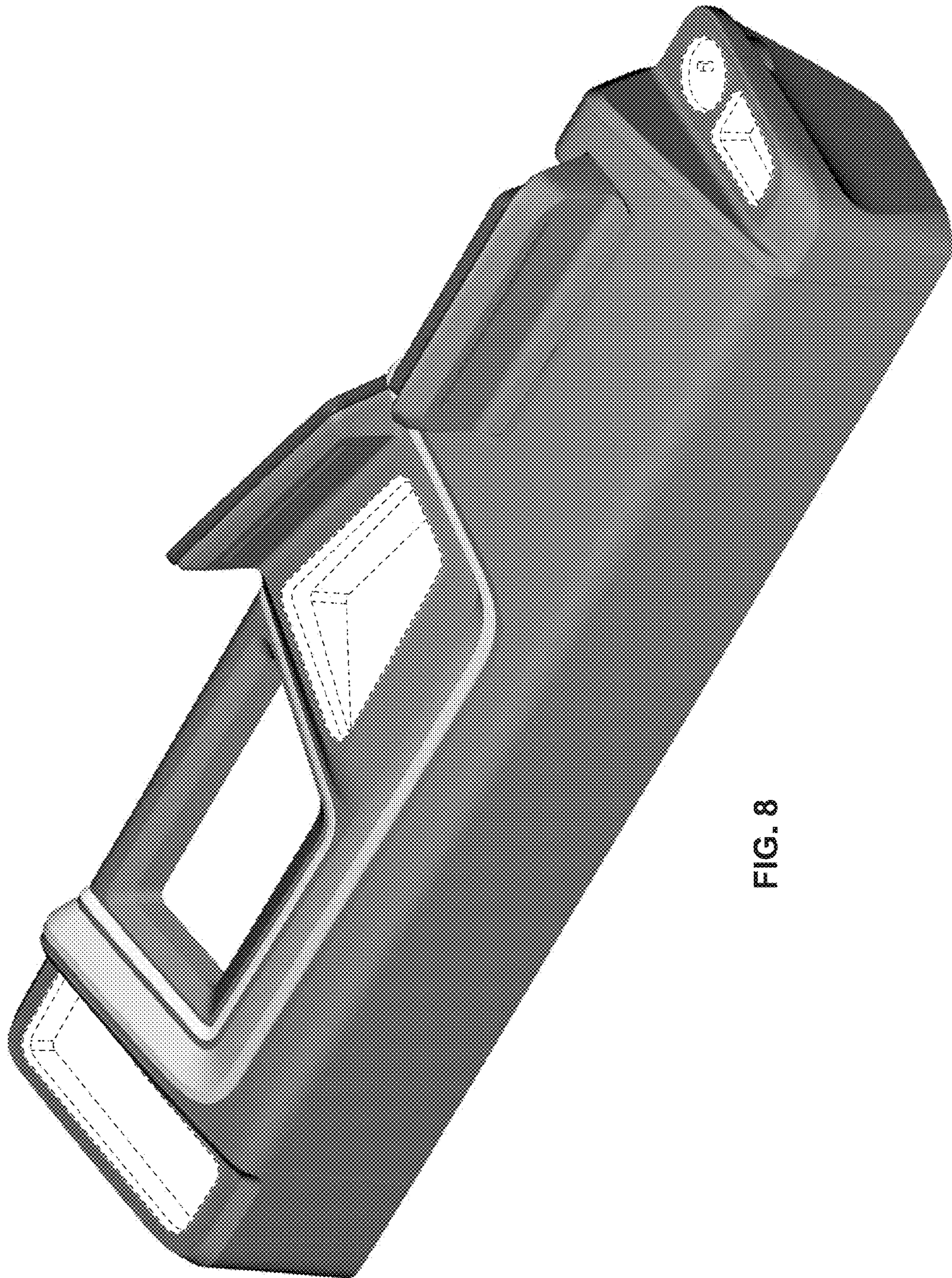


FIG. 8

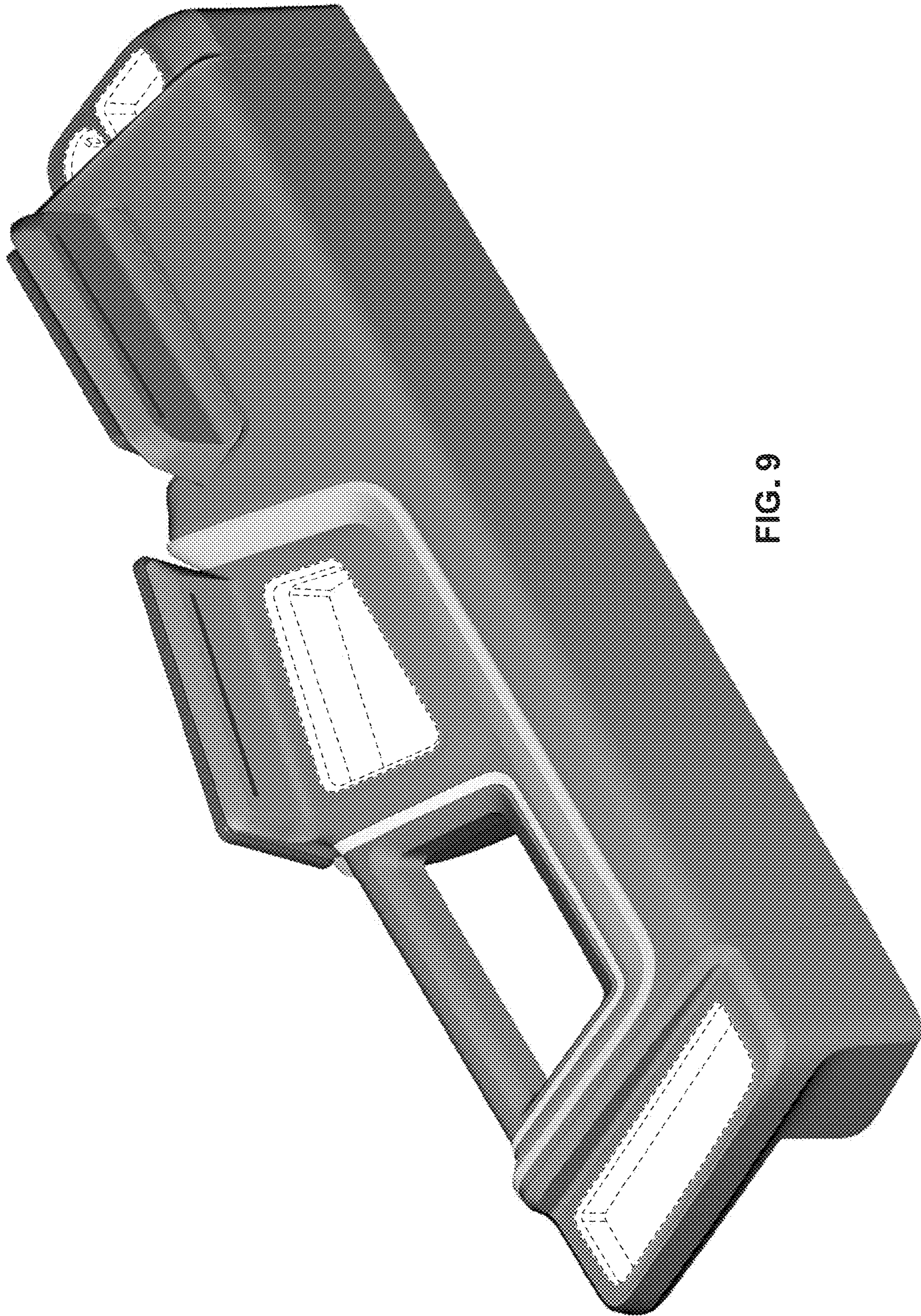


FIG. 9