



US00D953226S

(12) **United States Design Patent** (10) **Patent No.:** **US D953,226 S**
Kelderman (45) **Date of Patent:** **** May 31, 2022**

(54) **FENDER FLAIR CAP**
(71) Applicant: **Jeffrey J. Kelderman**, Oskaloosa, IA (US)
(72) Inventor: **Jeffrey J. Kelderman**, Oskaloosa, IA (US)
(73) Assignee: **Kelderman Manufacturing, Inc.**, Oskaloosa, IA (US)
(**) Term: **15 Years**
(21) Appl. No.: **29/756,208**
(22) Filed: **Oct. 27, 2020**
(51) **LOC (13) Cl.** **12-16**
(52) **U.S. Cl.**
USPC **D12/190**
(58) **Field of Classification Search**
USPC ... D12/190, 181, 192, 400, 90-92, 196-200, D12/171, 172, 163, 110, 114
CPC B60S 9/205; B60R 13/005; B60R 13/02
See application file for complete search history.

2015/0107431 A1* 4/2015 Lin B26F 1/14 83/588
2018/0371766 A1* 12/2018 Anzalone, Jr. E04F 19/0486
2020/0248464 A1* 8/2020 Dunn E04F 19/028

OTHER PUBLICATIONS

Kyle Huelsman Prior Art Rear Inside View Sep. 28, 2019 photograph United States.
Kyle Huelsman Prior Art Left Side View Sep. 28, 2019 photograph United States.
Kyle Huelsman Prior Art Right Side View Sep. 28, 2019 photograph United States.

* cited by examiner

Primary Examiner — Katrina A Betton
(74) *Attorney, Agent, or Firm* — Zarley Law Firm, P.L.C.

(57) **CLAIM**

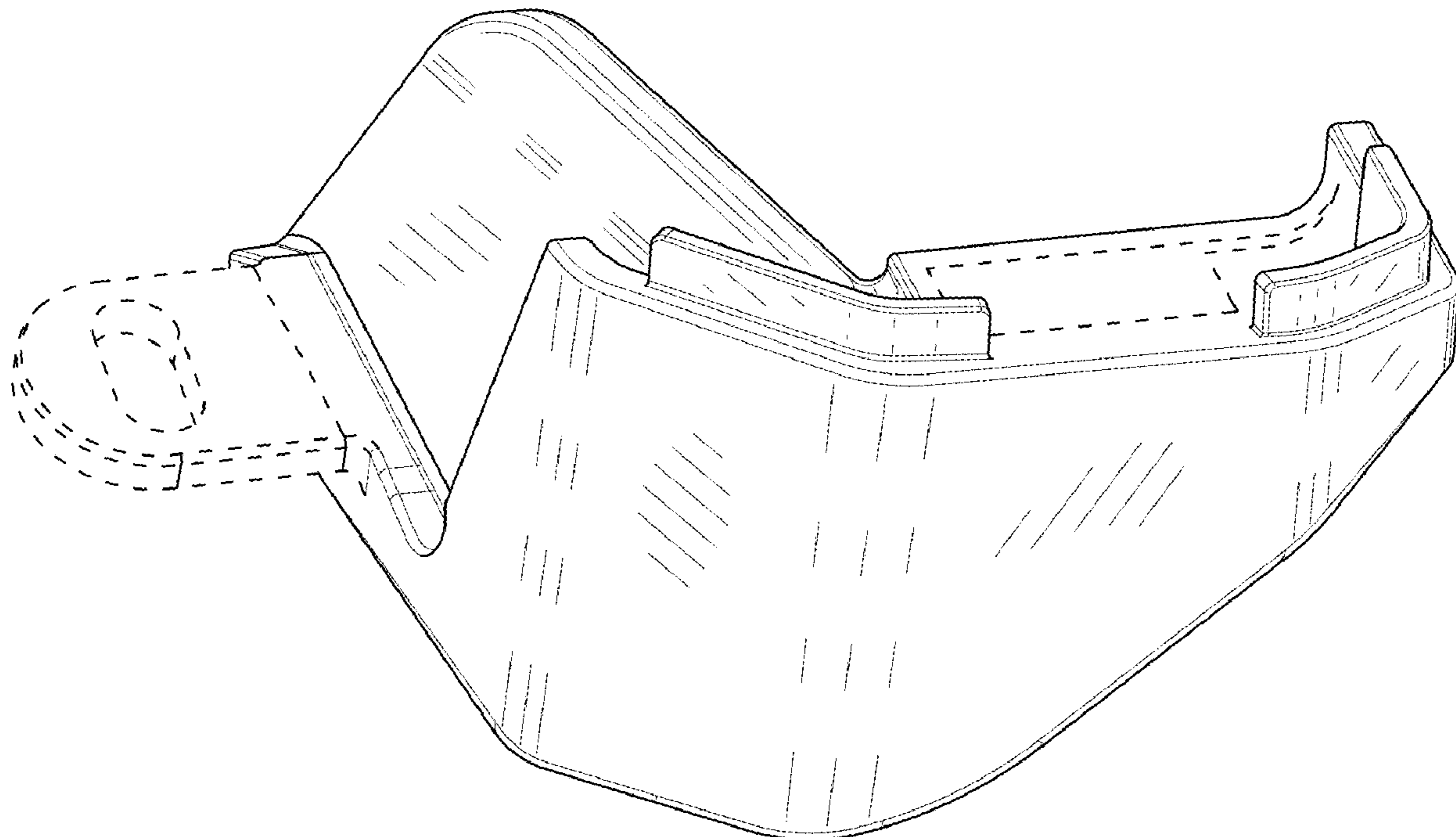
The Ornamental design for a fender flair cap, as shown and described.

DESCRIPTION

FIG. 1 is a perspective view of a fender flair cap showing my new design;
FIG. 2 is a front elevational view thereof;
FIG. 3 is a right side elevational view thereof;
FIG. 4 is a rear elevational view thereof;
FIG. 5 is a left side elevational view thereof;
FIG. 6 is a top plan view thereof; and,
FIG. 7 is a bottom plan view thereof.
The broken lines in FIGS. 1-7 form no part of the claimed design.

1 Claim, 7 Drawing Sheets

(56) **References Cited**
U.S. PATENT DOCUMENTS
D487,520 S * 3/2004 Hein D25/102
D867,250 S * 11/2019 Goodrich D12/190
D916,636 S * 4/2021 Grand D12/190
D930,537 S * 9/2021 Preyss D12/190
D937,721 S * 12/2021 Zou D12/190
D937,722 S * 12/2021 Wu D12/190
D940,027 S * 1/2022 Willing D12/190
2009/0001745 A1* 1/2009 Hlopick B62K 5/01 248/65



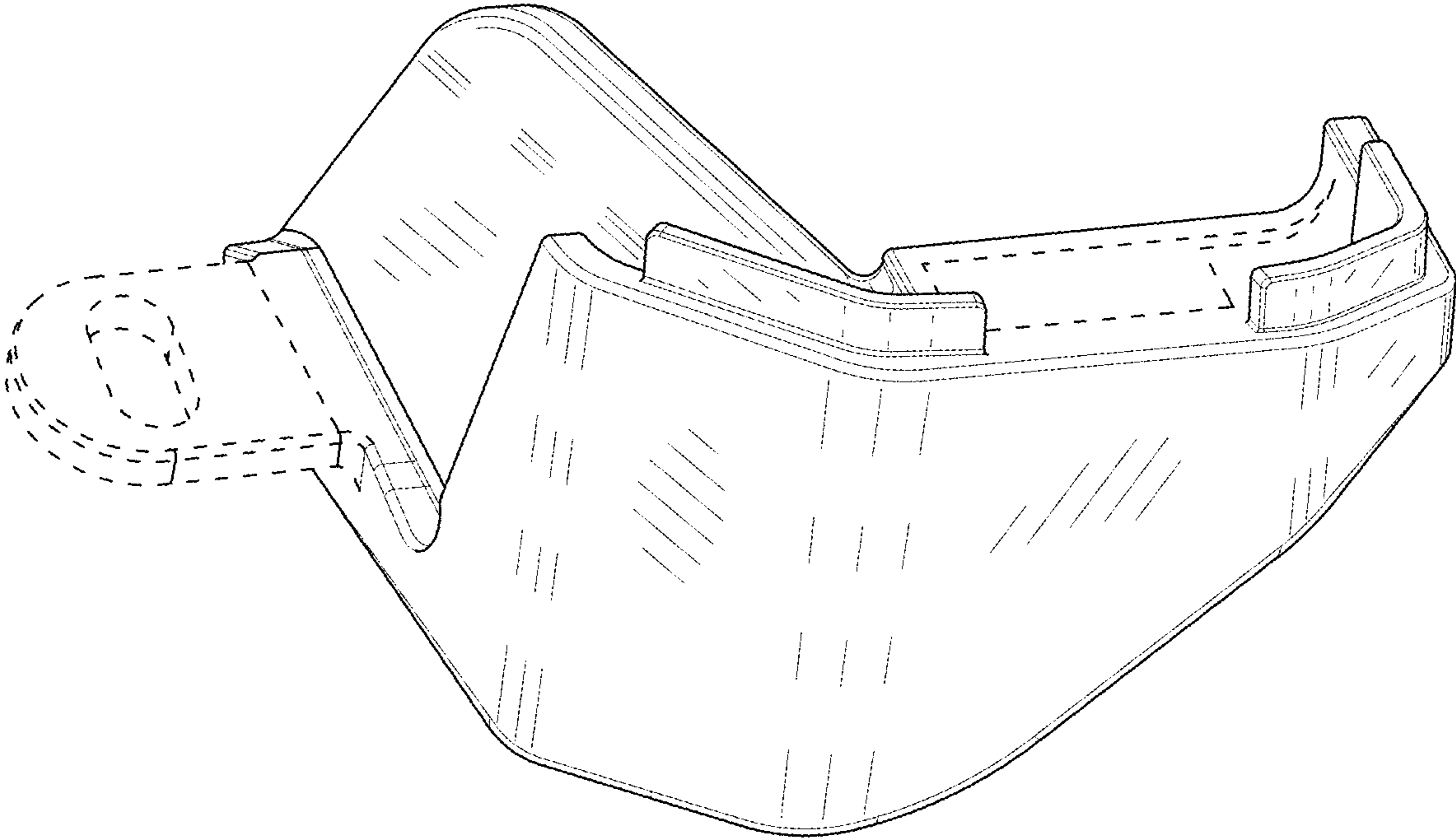


FIG. 1

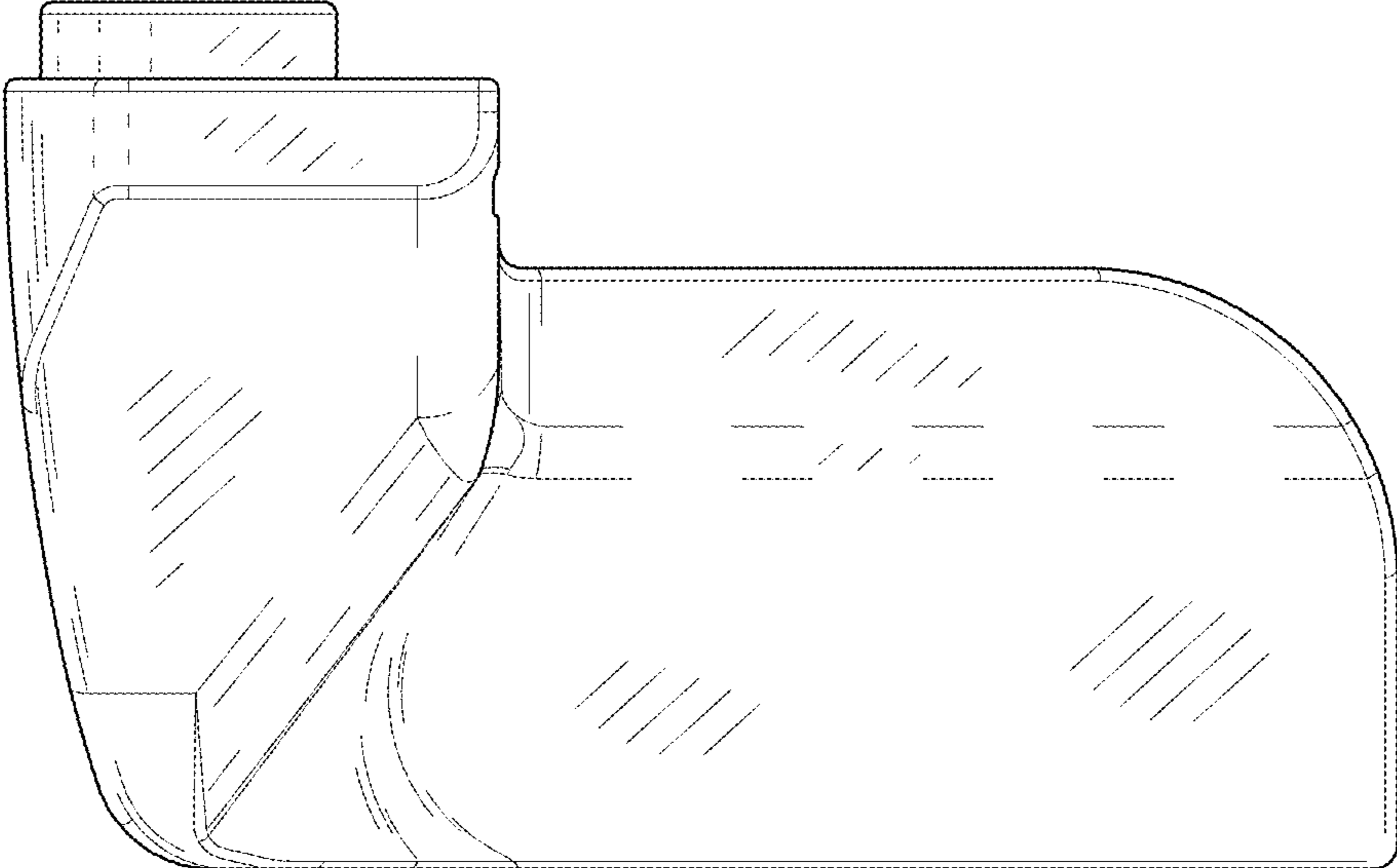


FIG. 2

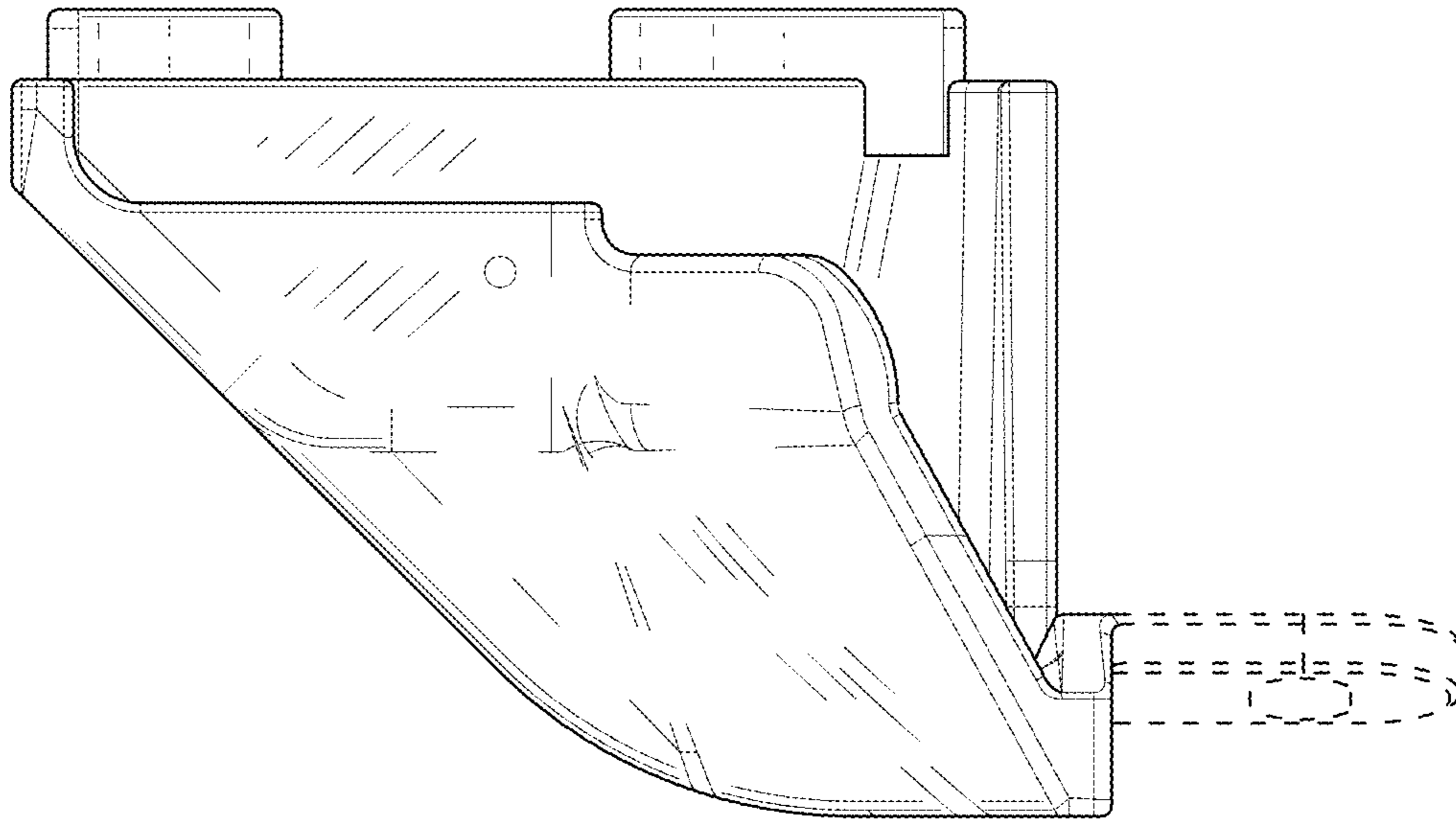


FIG. 3

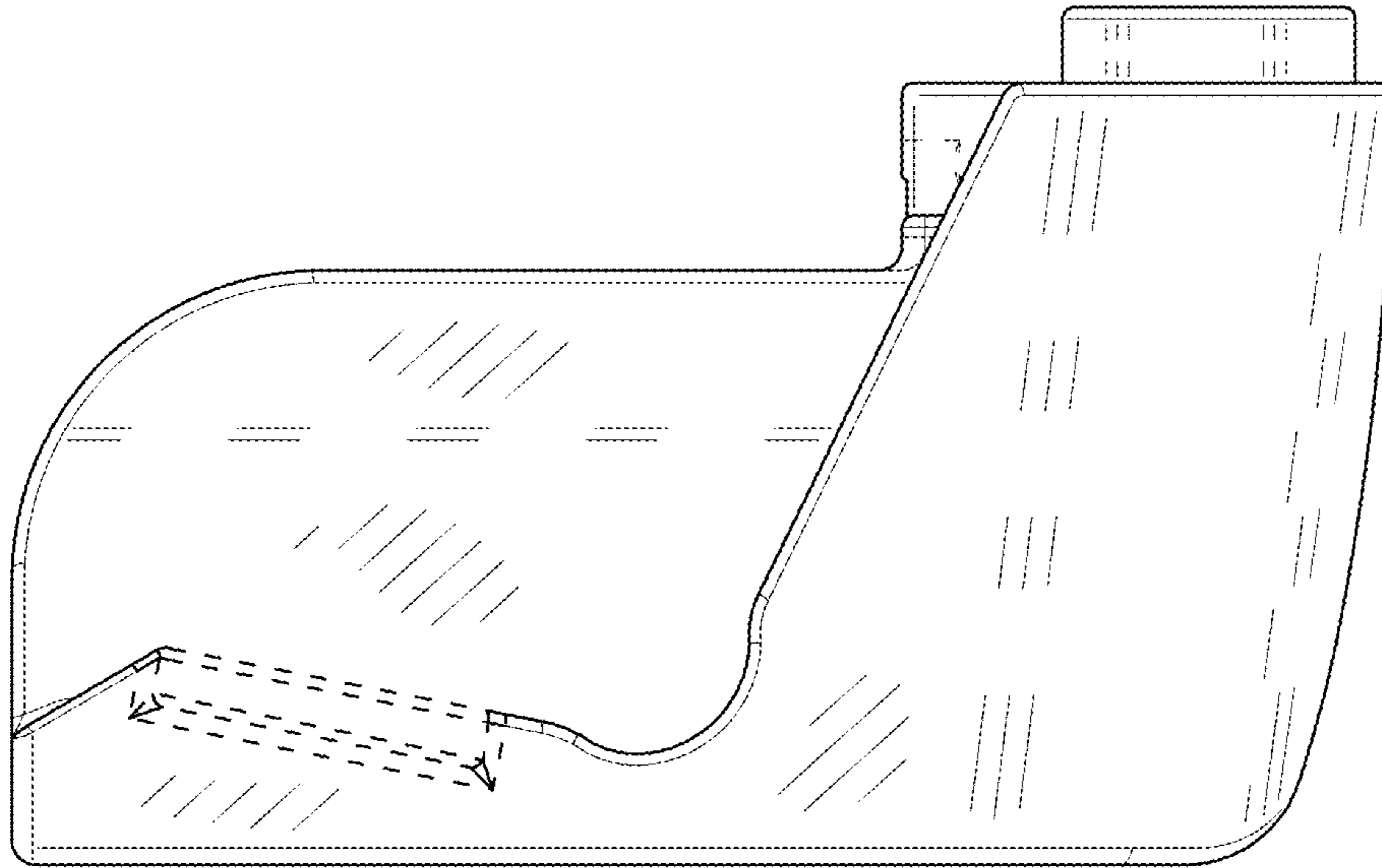


FIG. 4

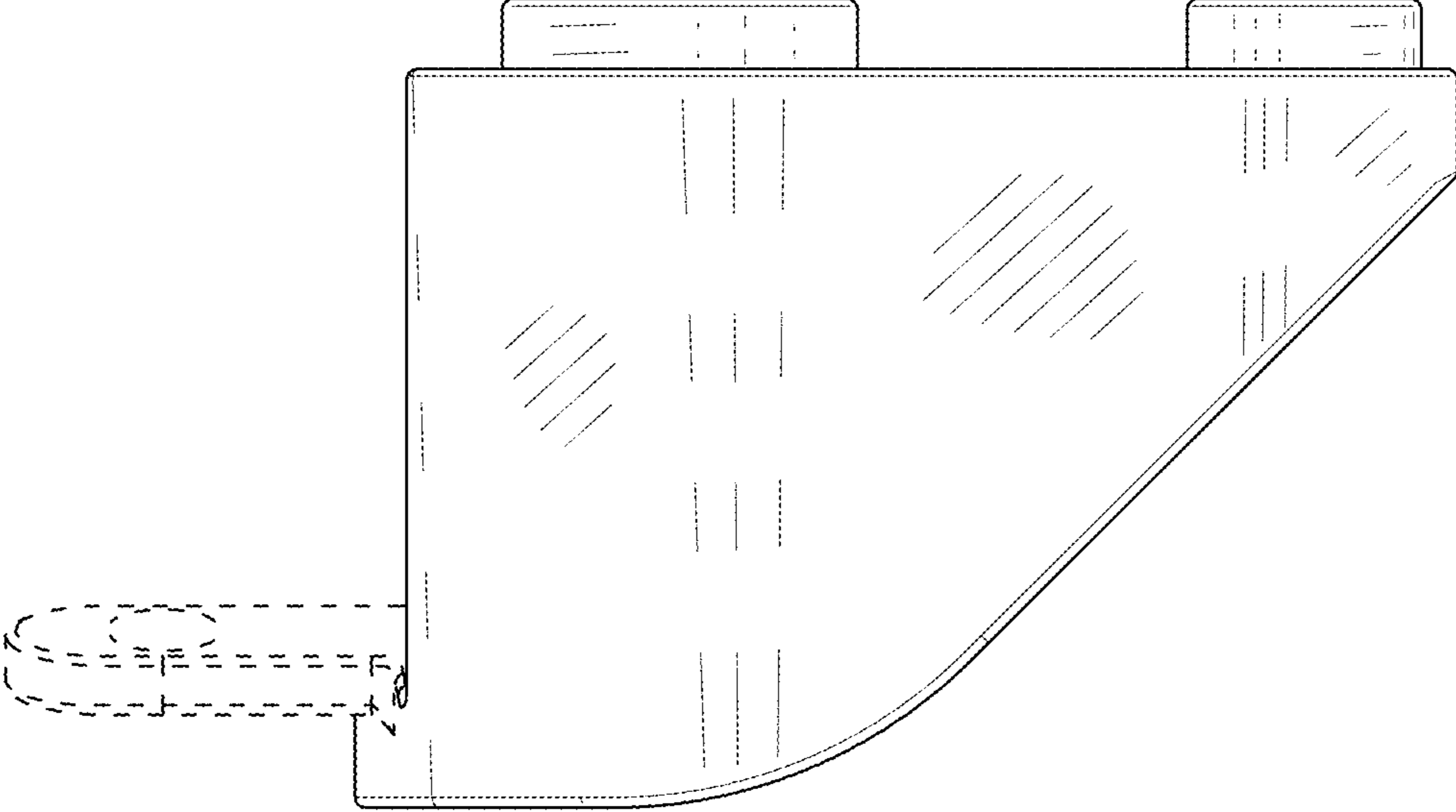


FIG. 5

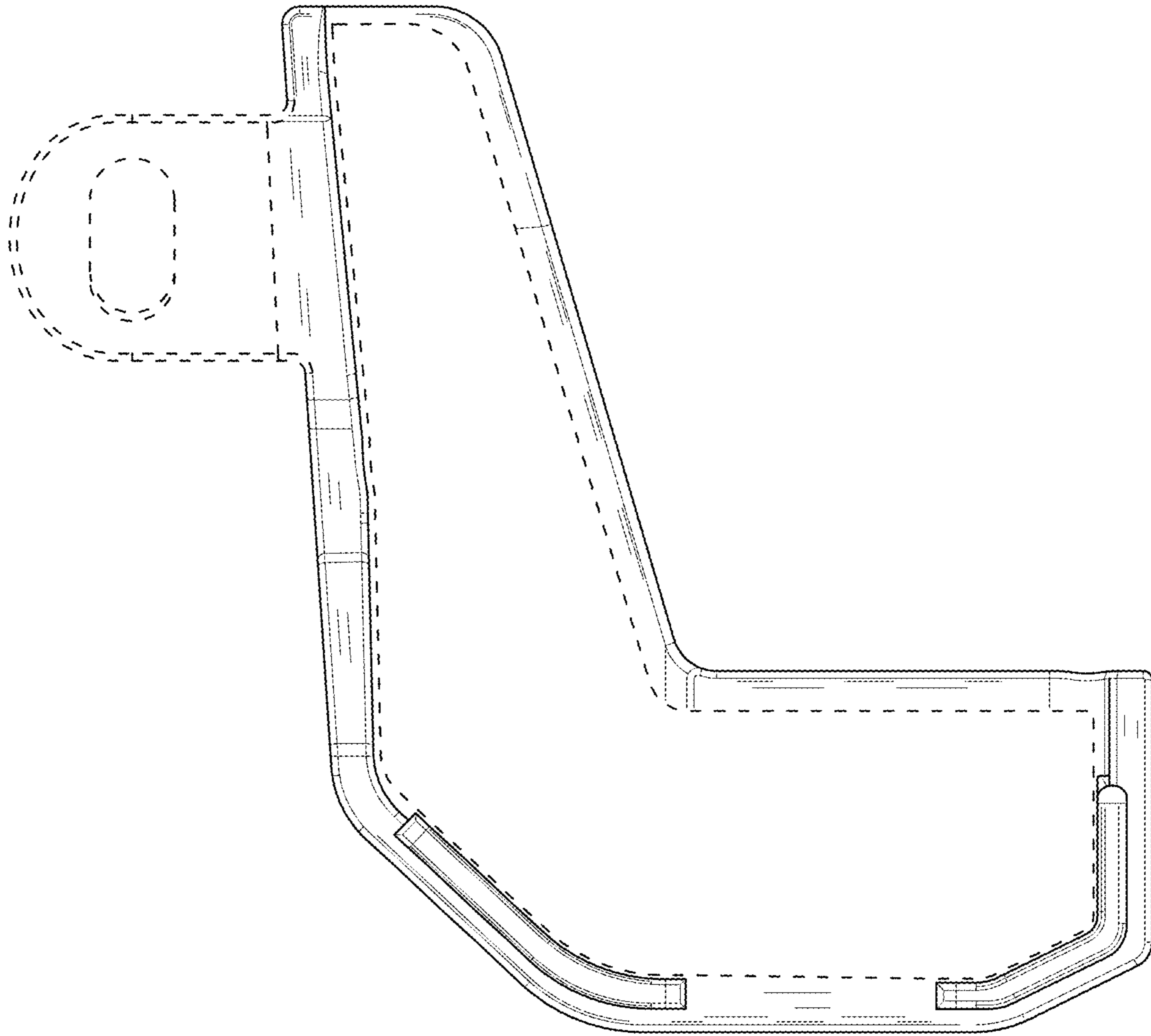


FIG. 6

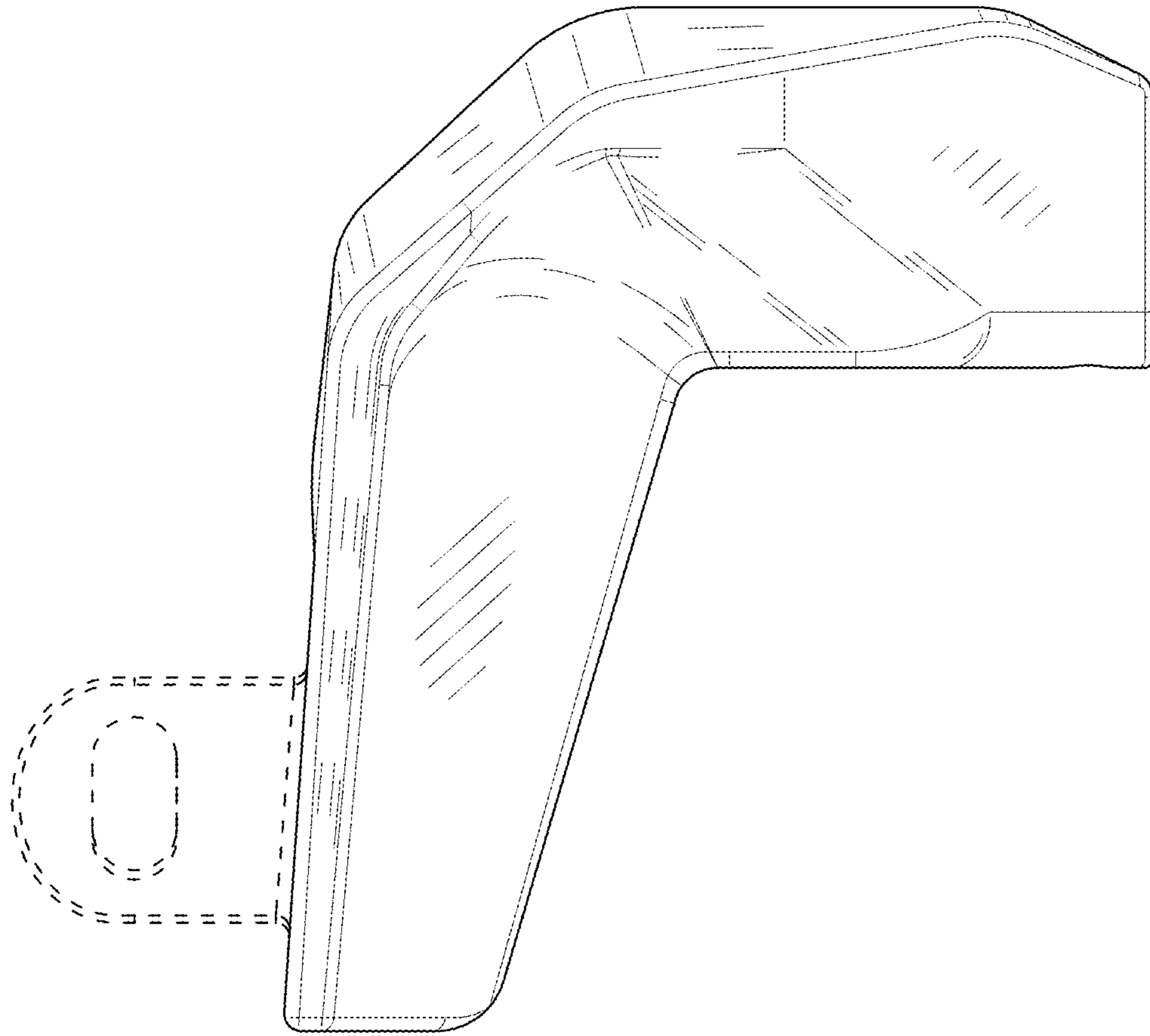


FIG. 7