



US00D953222S

(12) **United States Design Patent**  
**Hong et al.**

(10) **Patent No.:** **US D953,222 S**  
(45) **Date of Patent:** **\*\* May 31, 2022**

(54) **DISK BRAKE CALIPER FOR VEHICLE**  
(71) Applicant: **NAMYANG NEXMO Co., Ltd,**  
Ansan-si (KR)  
(72) Inventors: **Sung Jong Hong,** Seoul (KR); **Jin**  
**Yong Hong,** Ansan-si (KR); **Sang Heon**  
**Jung,** Bucheon-si (KR)  
(73) Assignee: **NAMYANG NEXMO CO., LTD,**  
Ansan-si (KR)

D493,754 S 8/2004 Barbosa et al.  
D506,714 S 6/2005 Ono  
D508,001 S 8/2005 Matsumoto  
D512,667 S 12/2005 Iwasaki  
D512,946 S 12/2005 Hatakoshi et al.  
D515,482 S 2/2006 Barbosa et al.  
D520,924 S 5/2006 Gotti et al.  
D522,420 S 6/2006 Crippa et al.  
D522,421 S 6/2006 Crippa et al.

(Continued)

(\*\*) Term: **15 Years**

GB D202979-001 \* 10/2019

(21) Appl. No.: **29/739,166**

**OTHER PUBLICATIONS**

(22) Filed: **Jun. 23, 2020**

“EBC®—Stage 2 Sport Slotted Brake Kit” EBC., posted date Aug. 16, 2020 [online], [retrieved on Oct. 7, 2021]. Retrieved from the Internet <URL:https://www.carid.com/ebc-brakes/stage-2-sport-brake-kit.html> (Year: 2020).\*

(30) **Foreign Application Priority Data**

Feb. 13, 2020 (KR) ..... 30-2020-0006427

(Continued)

(51) **LOC (13) Cl.** ..... **12-16**

(52) **U.S. Cl.**  
USPC ..... **D12/180**

(58) **Field of Classification Search**  
USPC ..... D12/114, 122, 123, 126, 127, 160, 180  
CPC ..... F16D 65/128; F16D 65/12; F16D 65/123;  
F16D 65/127; F16D 2065/1328; B22C  
9/00; C23C 4/067  
See application file for complete search history.

*Primary Examiner* — Darlington Ly  
*Assistant Examiner* — Nasim Abdulaziz Ali  
(74) *Attorney, Agent, or Firm* — Paratus Law Group,  
PLLC

(57) **CLAIM**

The ornamental design for a disk brake caliper for vehicle, as shown and described.

(56) **References Cited**

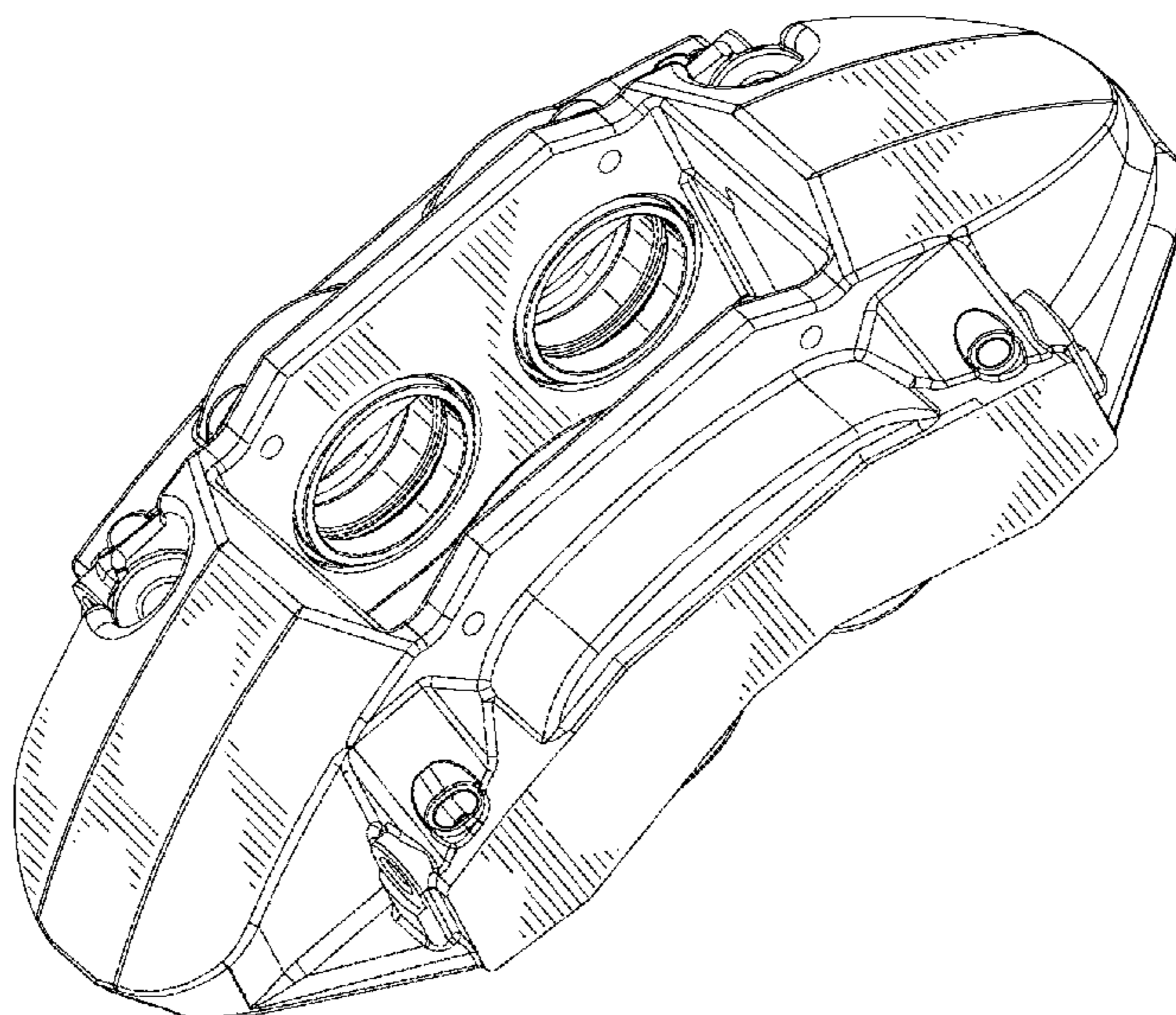
**DESCRIPTION**

**U.S. PATENT DOCUMENTS**

D373,340 S 9/1996 Sands  
D378,363 S 3/1997 Sin  
D417,178 S 11/1999 Gallagher  
D425,465 S 5/2000 Pink et al.  
D426,180 S 6/2000 Pink et al.  
D436,904 S 1/2001 Terasawa  
D437,813 S 2/2001 Terasawa  
D462,040 S 8/2002 Ueno et al.  
D492,229 S 6/2004 Barbosa et al.

FIG. 1 is a front, top, and left side perspective view of a disk brake caliper for vehicle, showing our new design; FIG. 2 is a front elevation view thereof; FIG. 3 is a rear elevation view thereof; FIG. 4 is a left side elevation view thereof; FIG. 5 is a right side elevation view thereof; and, FIG. 6 is a top plan view thereof.

**1 Claim, 4 Drawing Sheets**



(56)

References Cited

U.S. PATENT DOCUMENTS

D523,794 S 6/2006 Strumbo et al.  
 D560,579 S 1/2008 Sasaki et al.  
 D560,580 S 1/2008 Sasaki et al.  
 D588,513 S 3/2009 Crippa et al.  
 D602,412 S \* 10/2009 Becocci ..... D12/180  
 D603,767 S 11/2009 Crippa et al.  
 D607,793 S 1/2010 Maroni et al.  
 D610,059 S 2/2010 Azimonti  
 D610,507 S 2/2010 Azimonti  
 D619,063 S 7/2010 Veneziano et al.  
 D630,141 S 1/2011 Chen  
 D640,620 S \* 6/2011 Bielis, IV ..... D12/180  
 D686,955 S 7/2013 Asakura  
 D700,551 S 3/2014 Davenport, III  
 D705,709 S 5/2014 Hetland  
 D739,319 S 9/2015 Montgomery  
 D803,117 S \* 11/2017 Carminati ..... D12/180  
 D804,375 S 12/2017 Crippa et al.  
 D805,012 S 12/2017 Crippa et al.  
 D812,534 S 3/2018 Scheibe et al.  
 D813,125 S 3/2018 Crippa et al.  
 D815,000 S 4/2018 Igawa  
 D816,002 S 4/2018 Crippa et al.  
 D831,551 S 10/2018 Wilson et al.  
 10,156,275 B2 \* 12/2018 Carminati ..... F16D 65/123  
 D837,704 S 1/2019 Huang  
 D840,301 S 2/2019 Bonetti

D842,781 S \* 3/2019 Keller ..... D12/180  
 D842,782 S 3/2019 Verdelli et al.  
 D843,282 S \* 3/2019 Peck ..... D12/180  
 D851,566 S 6/2019 Nessi et al.  
 D854,985 S 7/2019 Comenduli et al.  
 D856,229 S 8/2019 Lethorn et al.  
 D873,739 S \* 1/2020 Betto ..... D12/180  
 D924,110 S \* 7/2021 Carminati ..... D12/180  
 D924,758 S \* 7/2021 Carminati ..... D12/180  
 D924,759 S \* 7/2021 Carminati ..... D12/180  
 2004/0040802 A1 \* 3/2004 Veneziano ..... F16D 65/128  
 188/218 XL  
 2013/0327602 A1 \* 12/2013 Barber ..... B22C 9/00  
 188/218 XL  
 2021/0180659 A1 \* 6/2021 Rodriguez ..... F16D 65/128  
 2021/0246955 A1 \* 8/2021 Keller ..... F16D 65/123

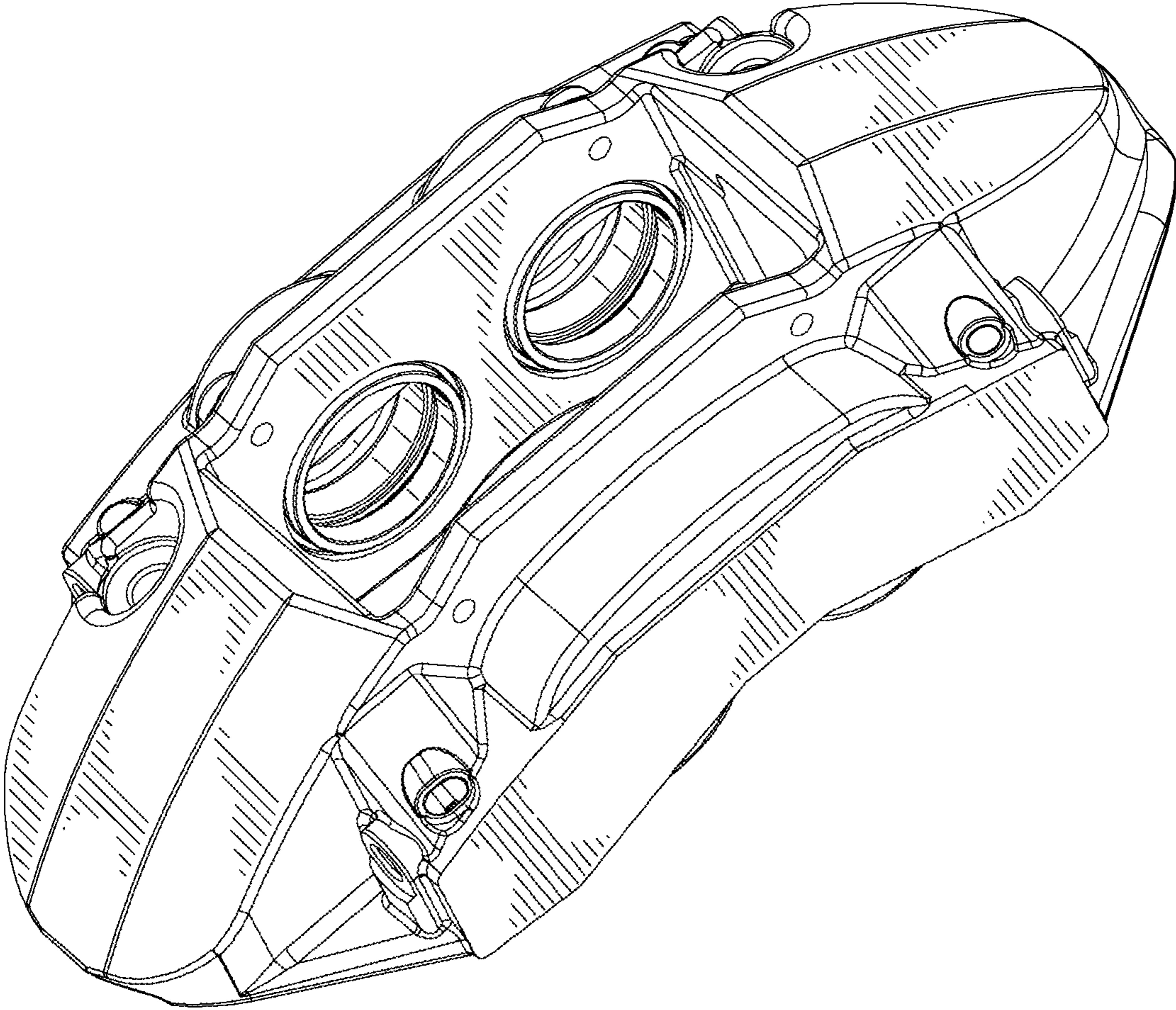
OTHER PUBLICATIONS

“EBC Sport Slotted & Dimpled Brake Rotors” EBC., posted date May 31, 2012 [online], [retrieved on Oct. 7, 2021]. Retrieved from the Internet <URL:https://www.buybrakes.com/brake-rotors/ebc-sport-slotted-and-dimpled-brake-rotors> (Year: 2012).\*

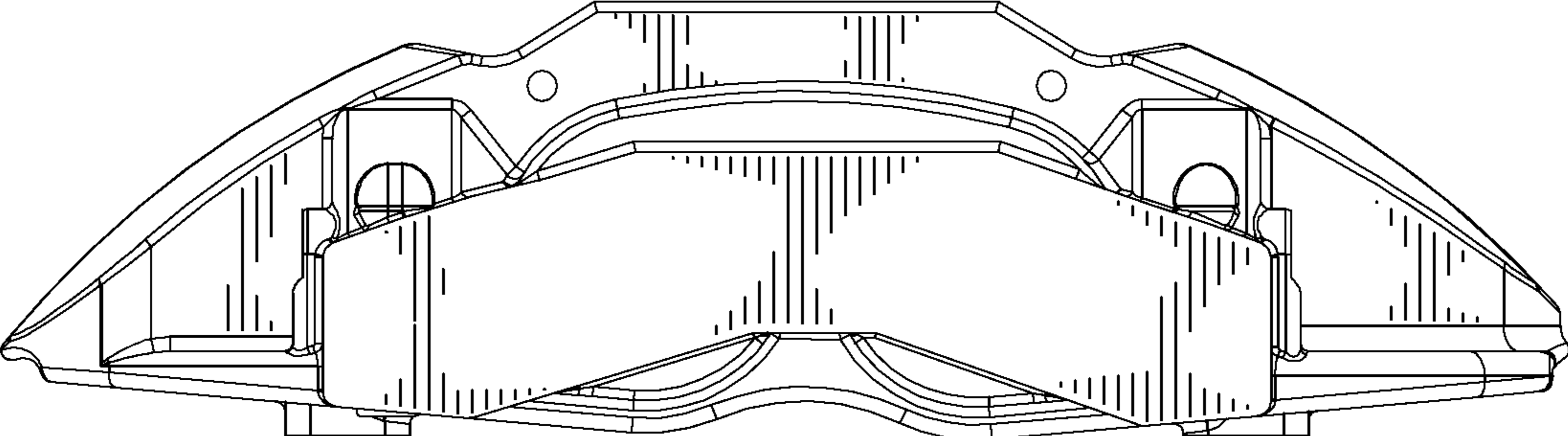
“Front Drilled & Slotted Brake Replacement” Detroit Axle., posted date Oct. 24, 2018[online], [retrieved on Oct. 7, 2021]. Retrieved from the Internet <URL:https://www.amazon.com/Detroit-Axle-Drilled-2011-2016-Silverado/dp/B07JNPPZQW/ref=sr\_1\_3?dchild=1&keywords=Detroit+Axle&qid=1633633535&sr=8-3> (Year: 2018).\*

\* cited by examiner

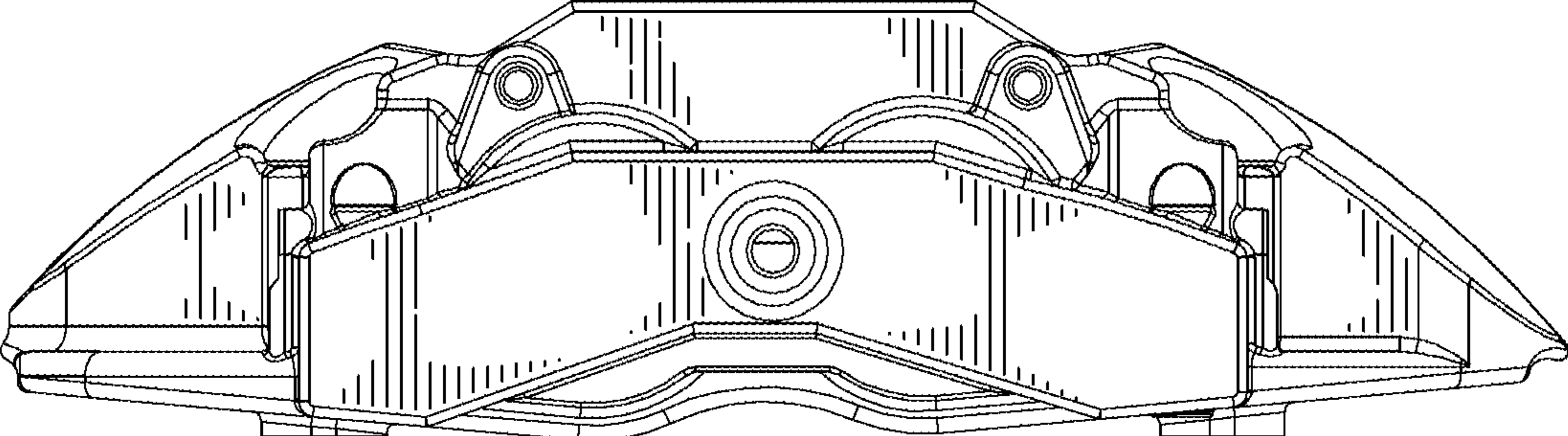
FIG. 1



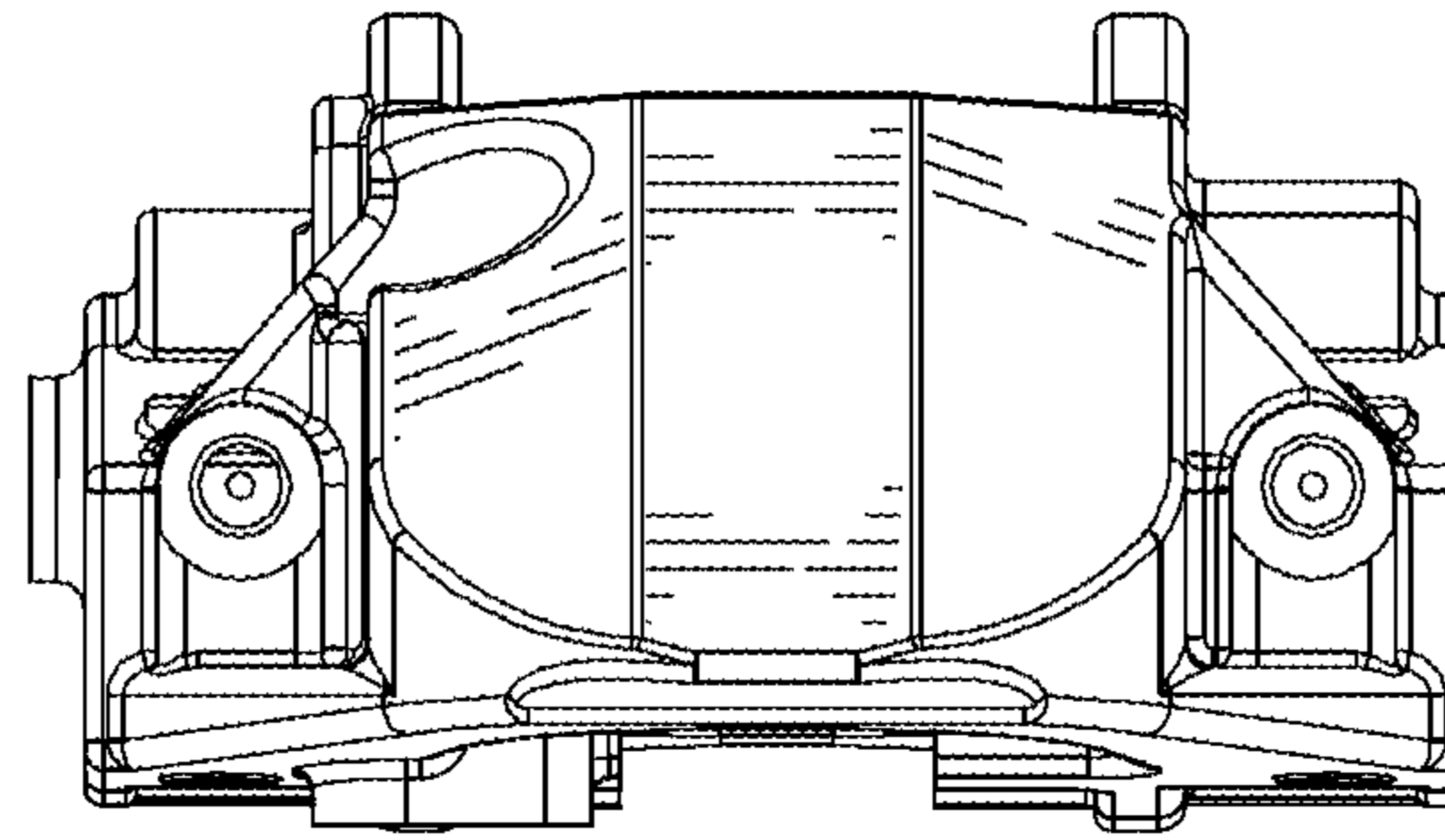
**FIG. 2**



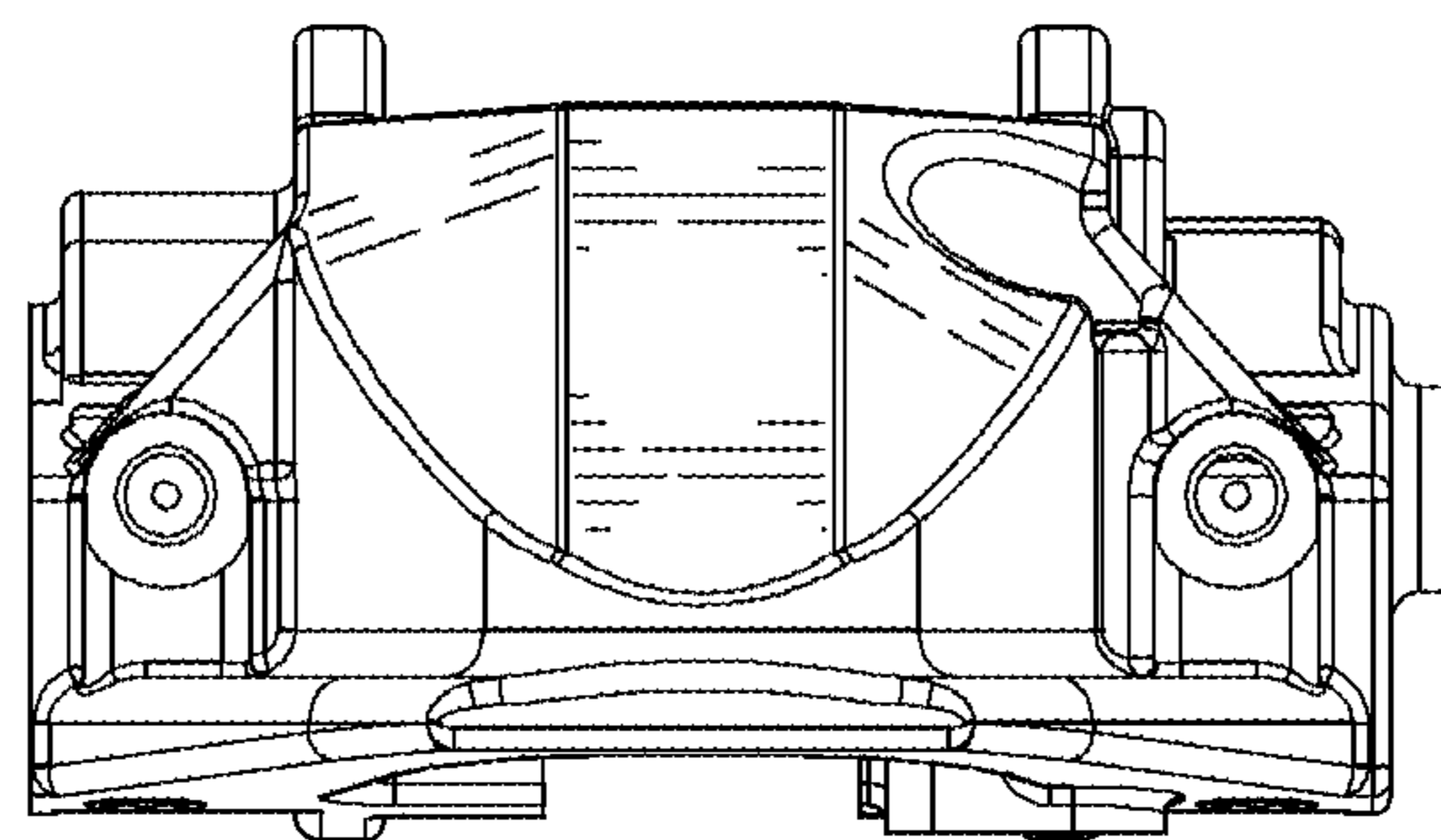
**FIG. 3**



**FIG. 4**



**FIG. 5**



**FIG. 6**

