



US00D953221S

(12) **United States Design Patent** (10) **Patent No.:** **US D953,221 S**
Li (45) **Date of Patent:** **** May 31, 2022**

(54) **STEERING WHEEL HORN COVER CASE**
(71) Applicant: **Guangming Li, Xianning (CN)**
(72) Inventor: **Guangming Li, Xianning (CN)**
(**) Term: **15 Years**
(21) Appl. No.: **29/779,484**
(22) Filed: **Apr. 19, 2021**
(51) **LOC (13) Cl.** **12-16**
(52) **U.S. Cl.**
USPC **D12/177**
(58) **Field of Classification Search**
USPC D12/174, 175, 176, 177, 179, 190, 192,
D12/195, 223, 400
CPC ... B60R 21/05; B60R 21/203; B60R 21/2037;
B60R 21/215; B60R 21/2155; B60R
21/2165; B60R 21/21656; B60R 21/2176;
B60R 2021/21543; B62D 1/00; B62D
1/02; B62D 1/04; B62D 1/10; B62D
1/11; B62D 1/043; B62D 1/046; B62D
1/06; B62D 1/065; B60Q 1/0082; B29L
2031/3047
See application file for complete search history.

(56) **References Cited**

U.S. PATENT DOCUMENTS

D502,903 S *	3/2005	Hebert	D12/175
D552,520 S *	10/2007	Maazono	D12/176
D600,612 S *	9/2009	Hwang	D12/176
D630,983 S *	1/2011	Frank	D12/176
D649,095 S *	11/2011	Frank	D12/176
D671,464 S *	11/2012	Baccus	D12/176
D684,511 S *	6/2013	Koyama	D12/176
D692,813 S *	11/2013	Koyama	D12/175
D710,270 S *	8/2014	Kanki	D12/176
9,333,937 B1 *	5/2016	Hock	B60R 21/21656
D763,748 S *	8/2016	Maeda	D12/175
D772,124 S *	11/2016	Lee	D12/176
D777,624 S *	1/2017	Sasaki	D12/176
D787,390 S *	5/2017	Kanda	D12/176

D797,021 S *	9/2017	Chergosky	D12/176
D798,206 S *	9/2017	Sjogren	D12/176
D804,374 S *	12/2017	Ogawa	D12/177
D830,255 S *	10/2018	Kawahara	D12/176
D836,504 S *	12/2018	Kawahara	D12/177
D848,913 S *	5/2019	Sjogren	D12/176
D872,664 S *	1/2020	Woodhouse	D12/177
D910,511 S *	2/2021	Mangan	D12/177
D910,512 S *	2/2021	Shen		
D931,774 S *	9/2021	Shimizu	D12/176
D935,361 S *	11/2021	Piaskowski	D12/177
2015/0091277 A1 *	4/2015	Nonoyama	B60R 21/215 280/728.3
2015/0210239 A1 *	7/2015	Sakaguchi	B60R 21/203 280/728.2

FOREIGN PATENT DOCUMENTS

JP	2014104949 A *	6/2014	B60R 21/215
JP	2017177929 A *	10/2017	B60R 21/203

* cited by examiner

Primary Examiner — Cary M Robinson

Assistant Examiner — Adam C Mager

(74) *Attorney, Agent, or Firm* — Justin Lampel

(57) **CLAIM**

The ornamental design for a steering wheel horn cover case, as shown and described.

DESCRIPTION

FIG. 1 is a perspective view of a steering wheel horn cover case showing the claimed design; FIG. 2 is a top plan view thereof; FIG. 3 is a left side view thereof; FIG. 4 is a front elevational view thereof; FIG. 5 is a right side view thereof; FIG. 6 is a rear elevational view thereof; and, FIG. 7 is a bottom plan view thereof. The broken lines illustrate portions of the steering wheel horn cover case that form no part of the claimed design.

1 Claim, 7 Drawing Sheets

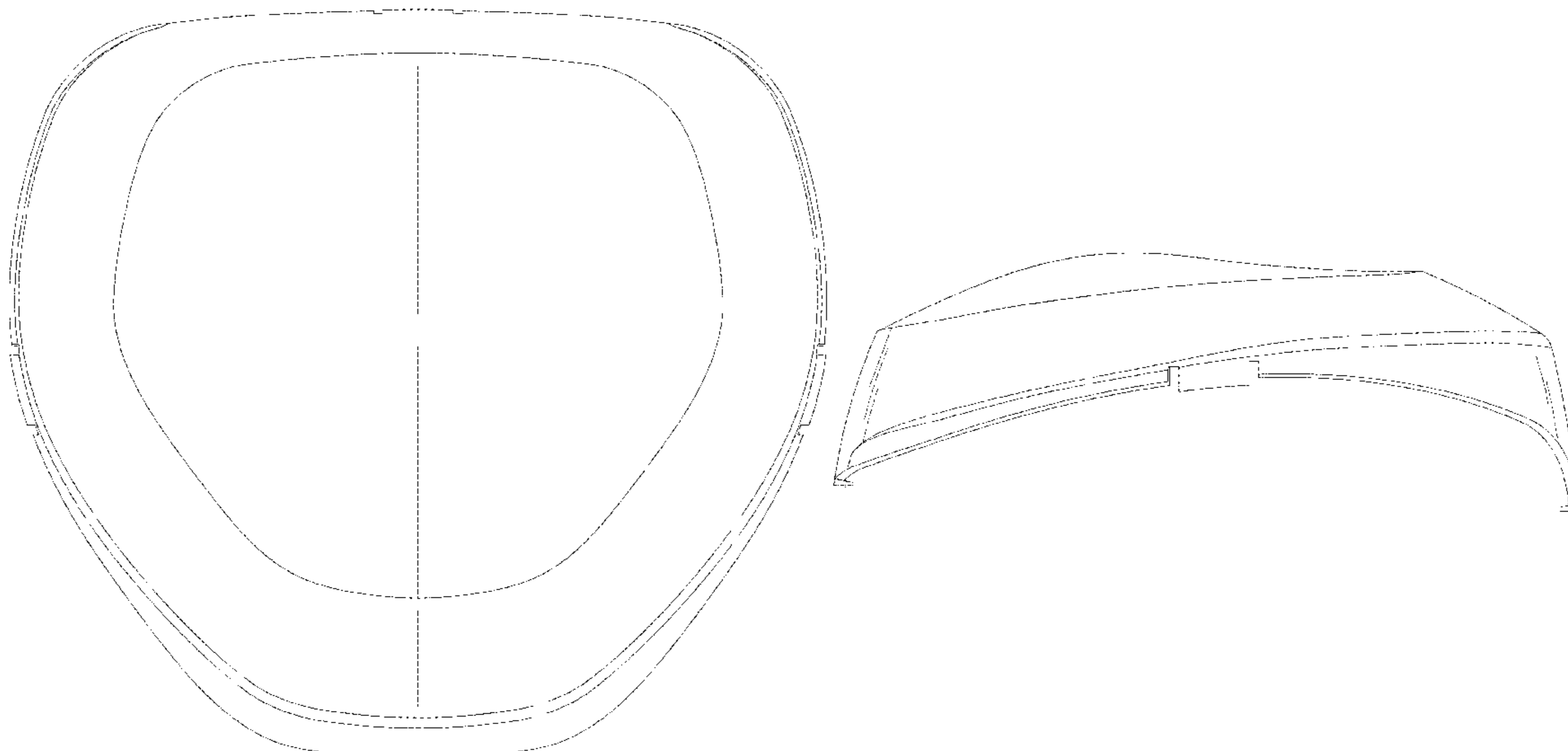




FIG.1

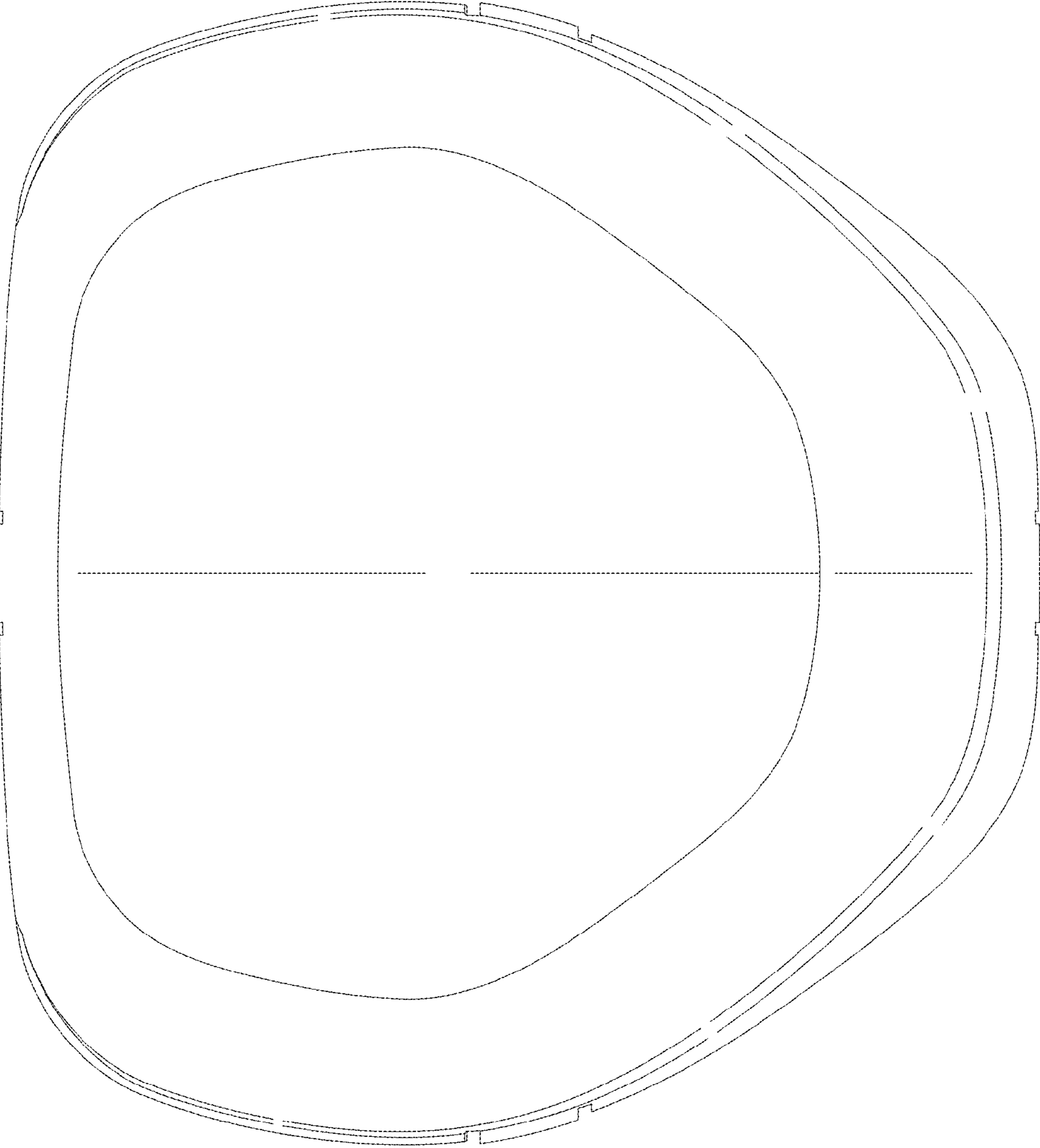


FIG.2

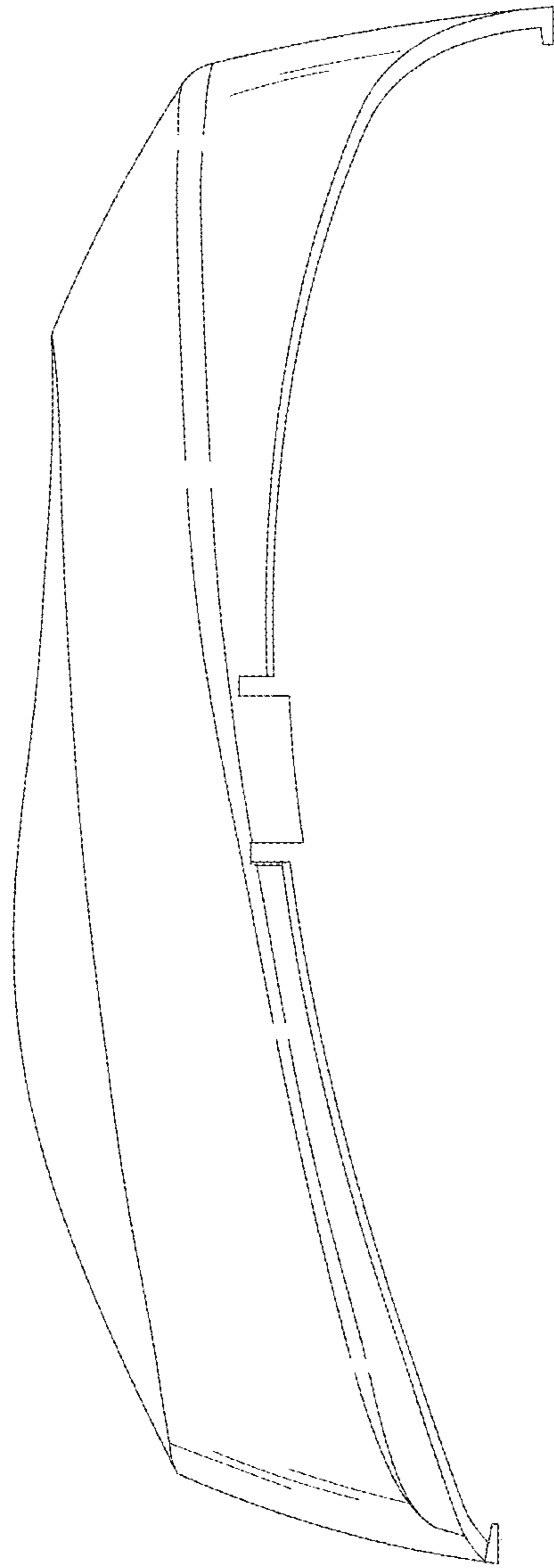


FIG. 3

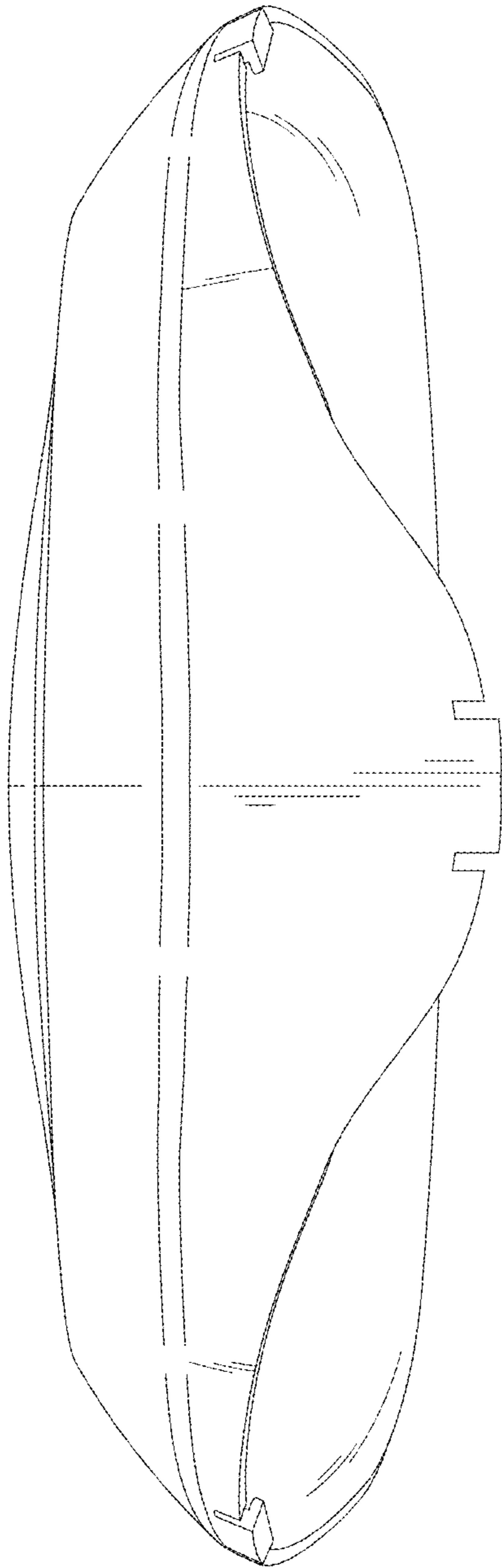


FIG.4

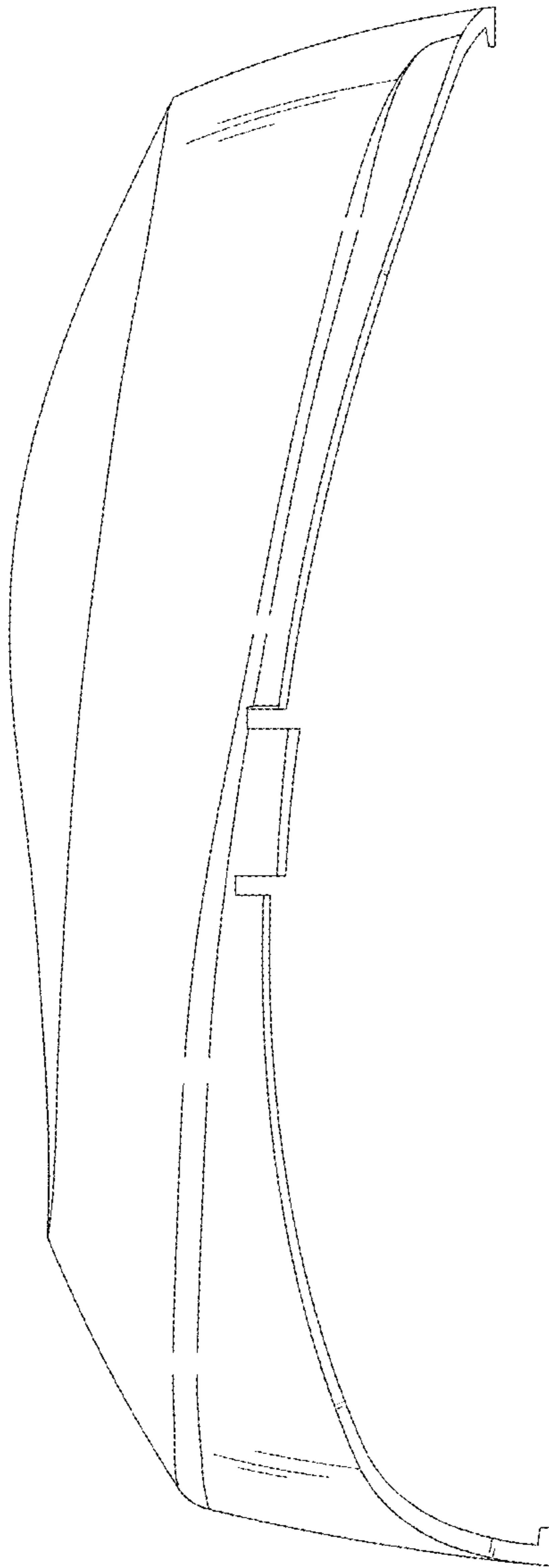


FIG. 5

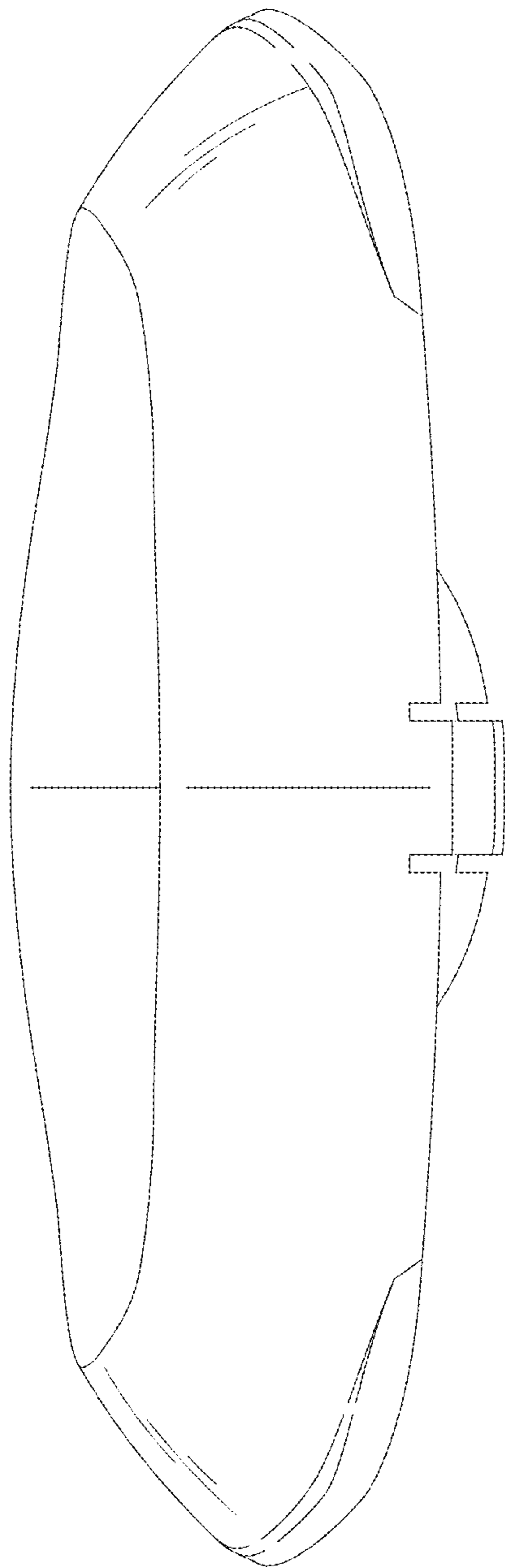


FIG.6

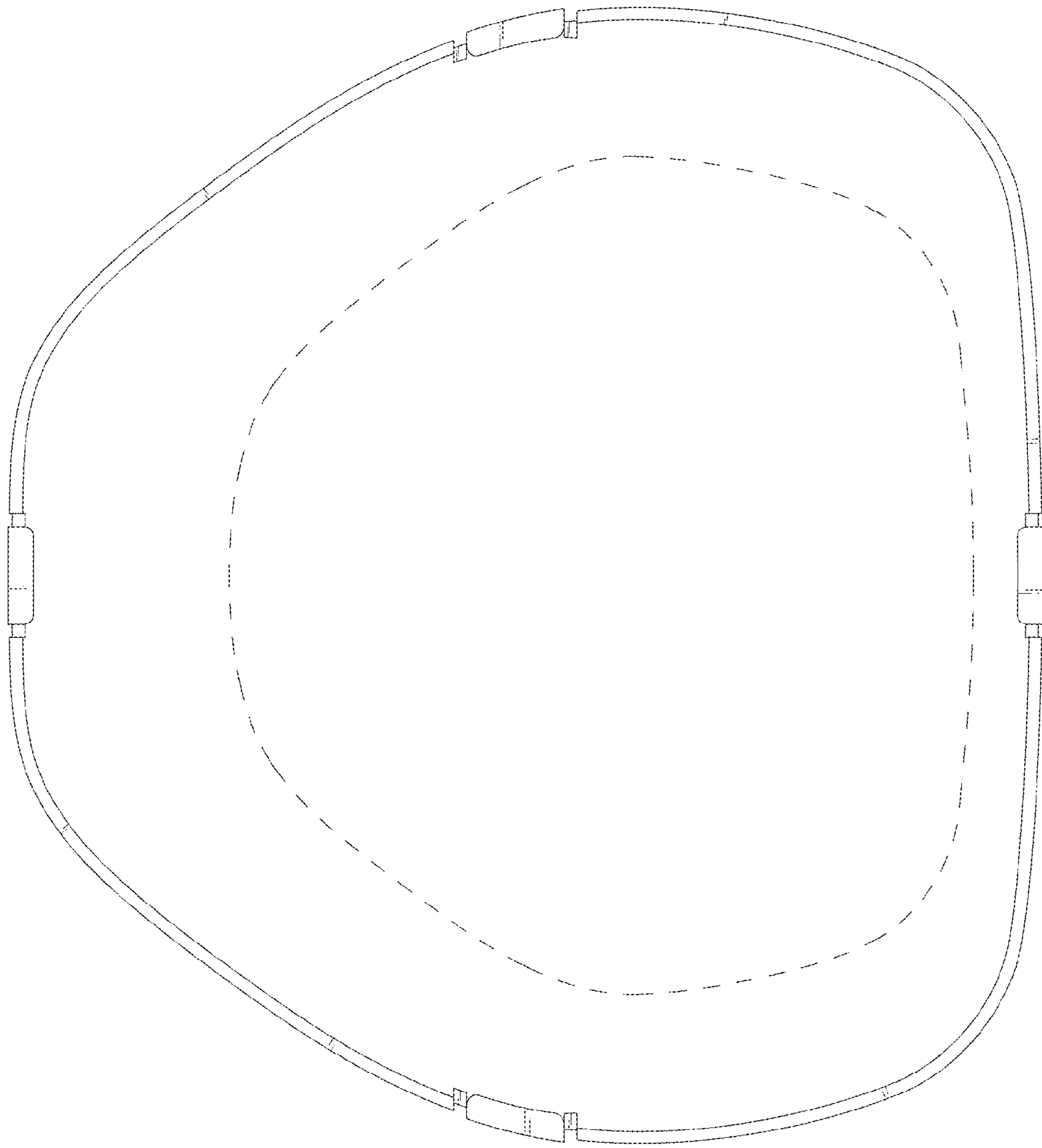


FIG. 7