



US00D953219S

(12) **United States Design Patent** (10) **Patent No.:** **US D953,219 S**
Bryan-Dunaway et al. (45) **Date of Patent:** **** May 31, 2022**

- (54) **VEHICLE HOOD**
- (71) Applicant: **Club Car, LLC**, Evans, GA (US)
- (72) Inventors: **Nikolas Anthony Bryan-Dunaway**, Grovetown, GA (US); **Darren Lee McDowell**, Evans, GA (US); **Nikhil Narendran**, Kerala (IN)
- (73) Assignee: **CLUB CAR, LLC**, Evans, GA (US)
- (**) Term: **15 Years**
- (21) Appl. No.: **29/744,491**
- (22) Filed: **Jul. 29, 2020**
- (51) **LOC (13) Cl.** **12-08**
- (52) **U.S. Cl.**
USPC **D12/173**
- (58) **Field of Classification Search**
USPC D12/1, 12, 14, 15, 16, 86, 87, 173, 18, D12/183, 181, 190, 192, 400, 90, 91, 92, D12/199, 197, 171, 172, 169, 163, 110, D12/114
CPC ... B62D 5/10; B62D 5/12; B62D 5/06; B62D 21/18; B62D 21/183; B62D 24/02; B62D 25/00
See application file for complete search history.

D762,517 S *	8/2016	Hashimoto	D12/14
D764,973 S *	8/2016	Mikhailov	D12/14
D780,627 S *	3/2017	Jhant	D12/14
D787,388 S *	5/2017	Huissoon	D12/173
D821,944 S *	7/2018	Yates	D12/173
D843,281 S *	3/2019	Gander	B62D 21/18 D12/173
D860,887 S *	9/2019	Gander	D12/173
D863,154 S *	10/2019	O'Donnell	D12/173
D886,672 S *	6/2020	Whitfield	D12/14
D891,331 S *	7/2020	Dickman	D12/173

* cited by examiner

Primary Examiner — Susan E Krakower
Assistant Examiner — Jerry Shiuan-Hua Hsu
(74) *Attorney, Agent, or Firm* — Edell, Shapiro & Finnan, LLC

(57) **CLAIM**

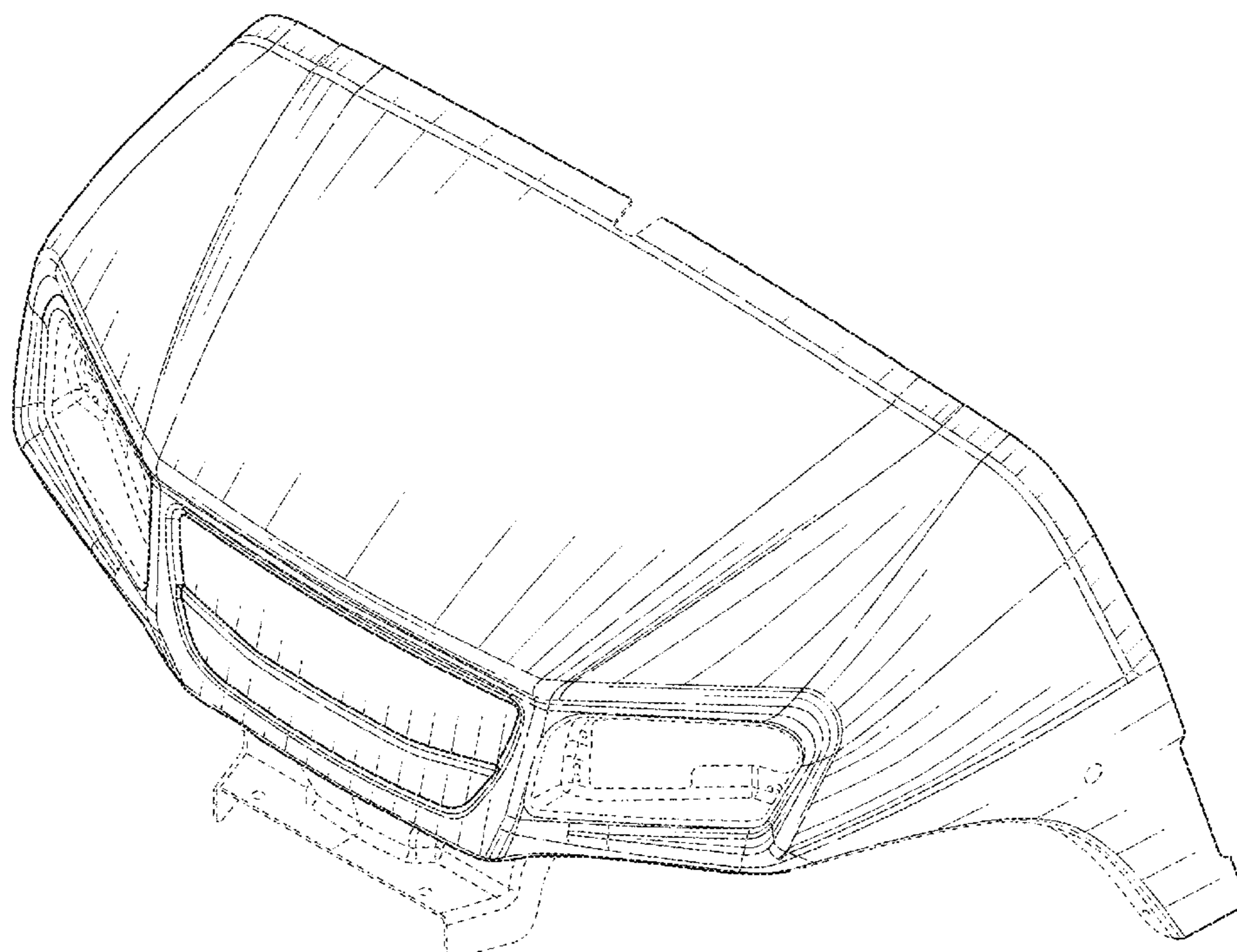
The ornamental design for a vehicle hood, as shown and described.

DESCRIPTION

FIG. 1 is a front side perspective view of a vehicle hood, showing our new design.
FIG. 2 is a front view thereof.
FIG. 3 is a back view thereof.
FIG. 4 is a left side view thereof.
FIG. 5 is a right side view thereof.
FIG. 6 is a top view thereof; and,
FIG. 7 is a bottom view thereof.
The broken lines shown in the figures are for the purpose of illustrating portions of the vehicle hood that form no part of the claimed design.

1 Claim, 7 Drawing Sheets

- (56) **References Cited**
U.S. PATENT DOCUMENTS
D449,806 S * 10/2001 VanderMolen D12/164
D612,306 S * 3/2010 Nakanishi D12/173
D631,792 S * 2/2011 Sanschagrín D12/14
D738,257 S * 9/2015 Criss, Jr. D12/14



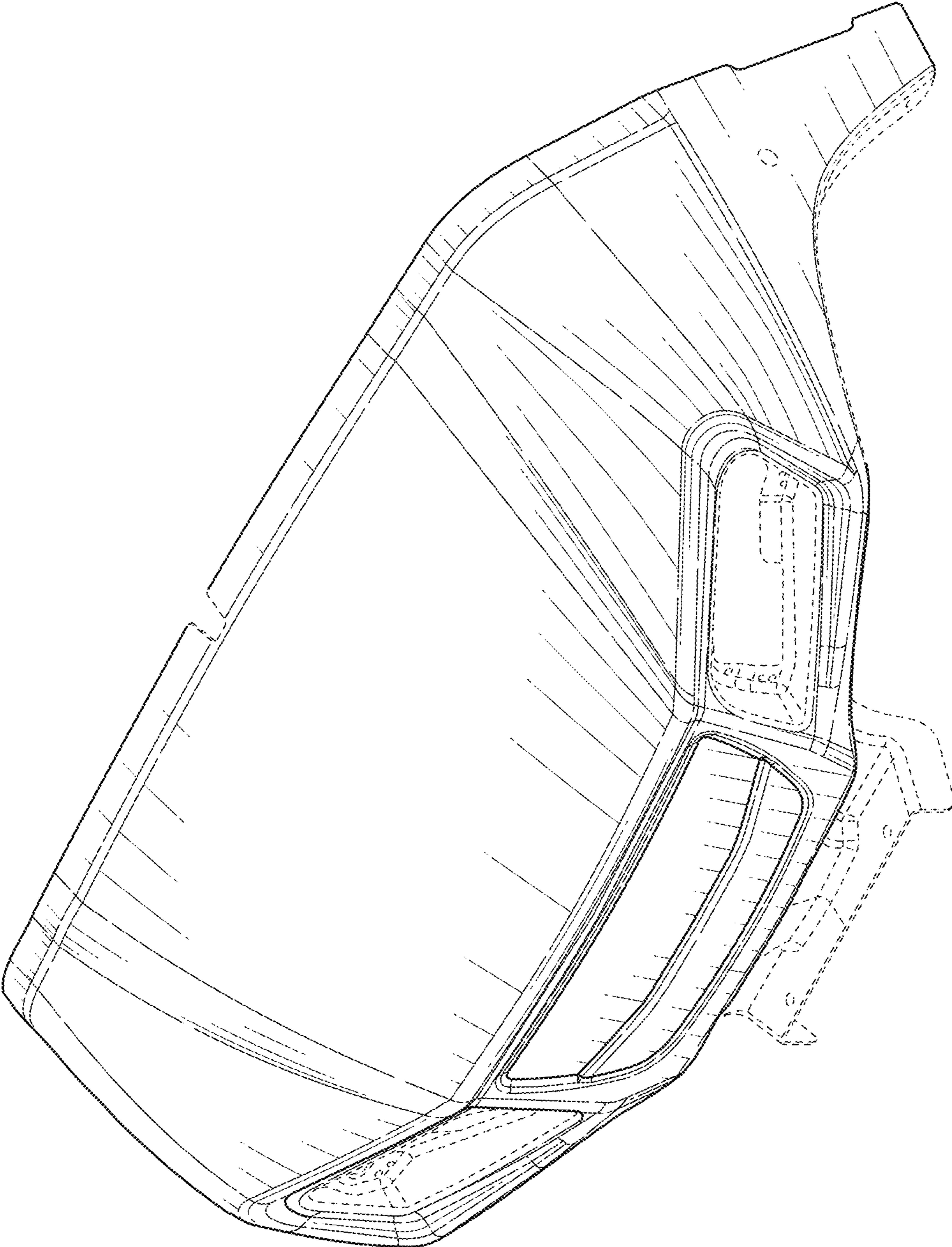


FIG. 1

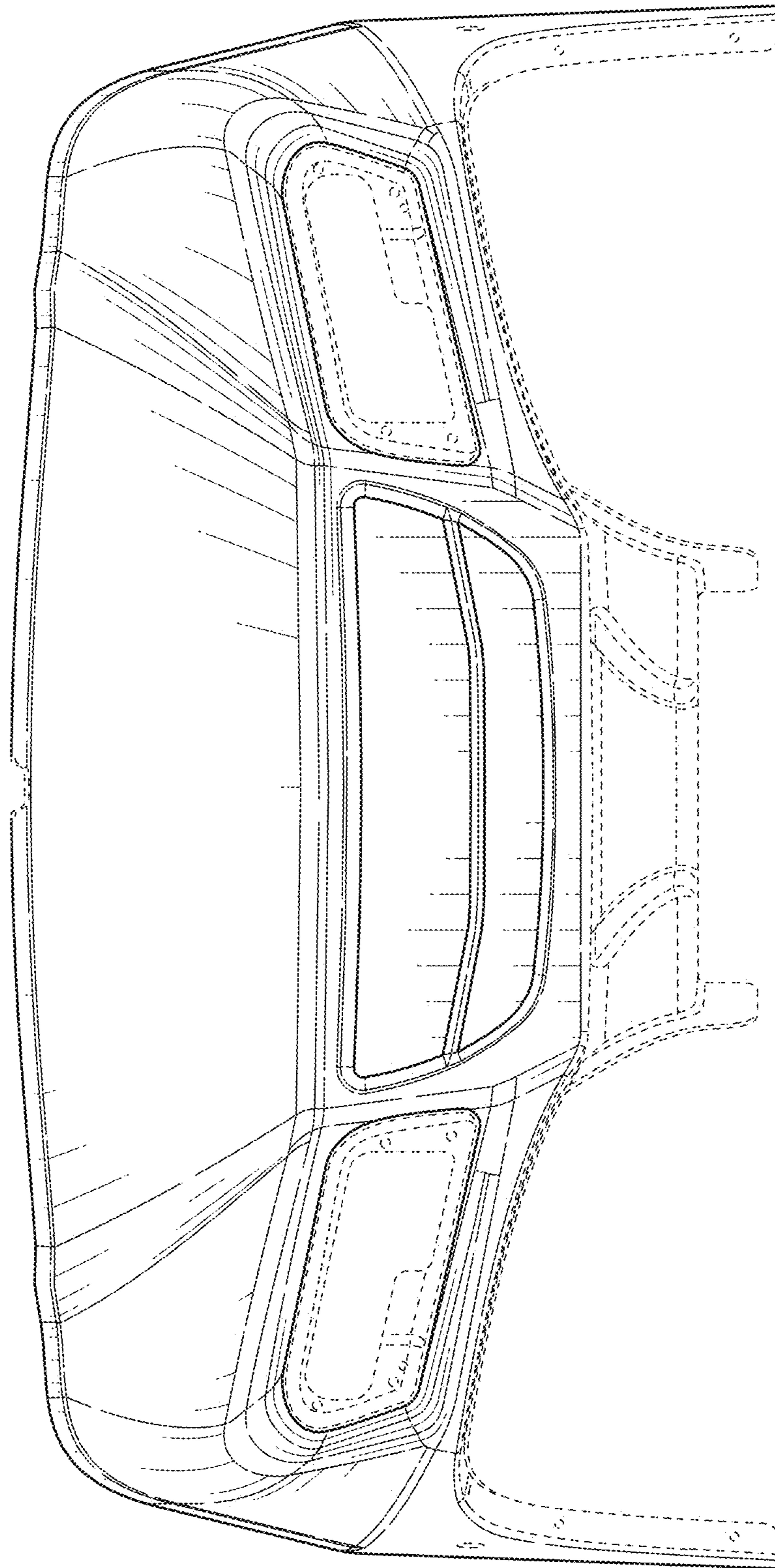


FIG. 2

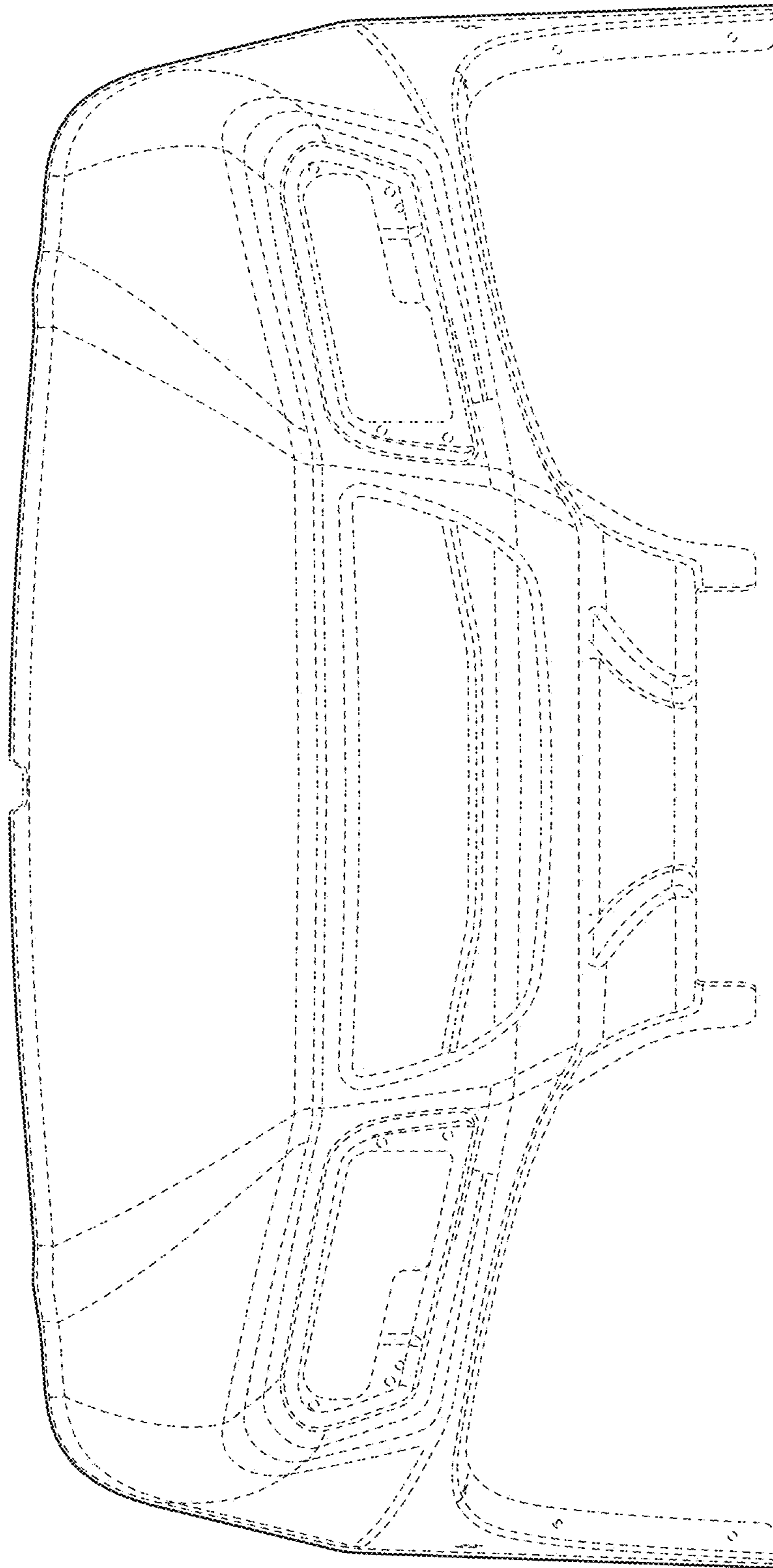


FIG. 3

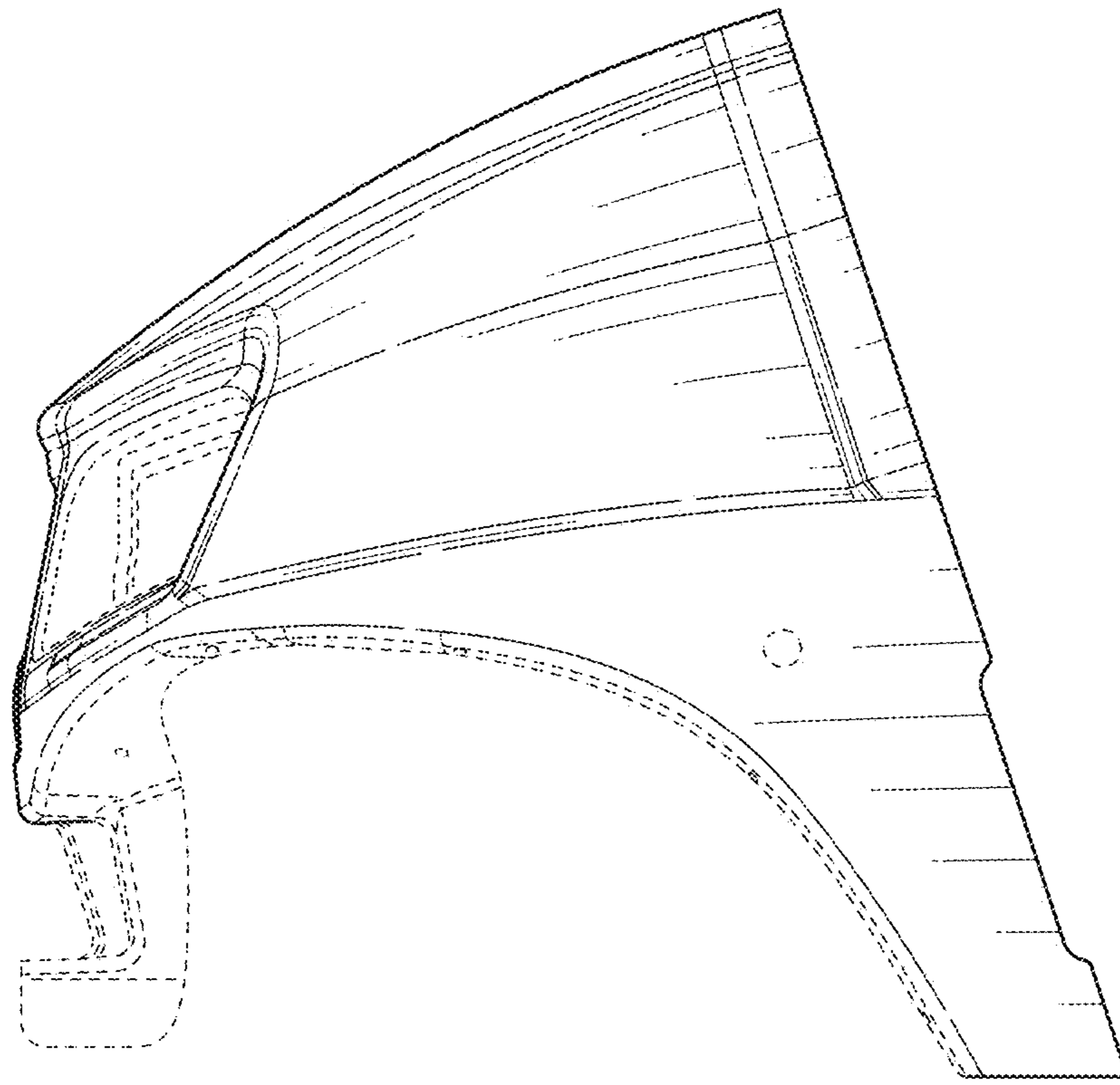


FIG. 4

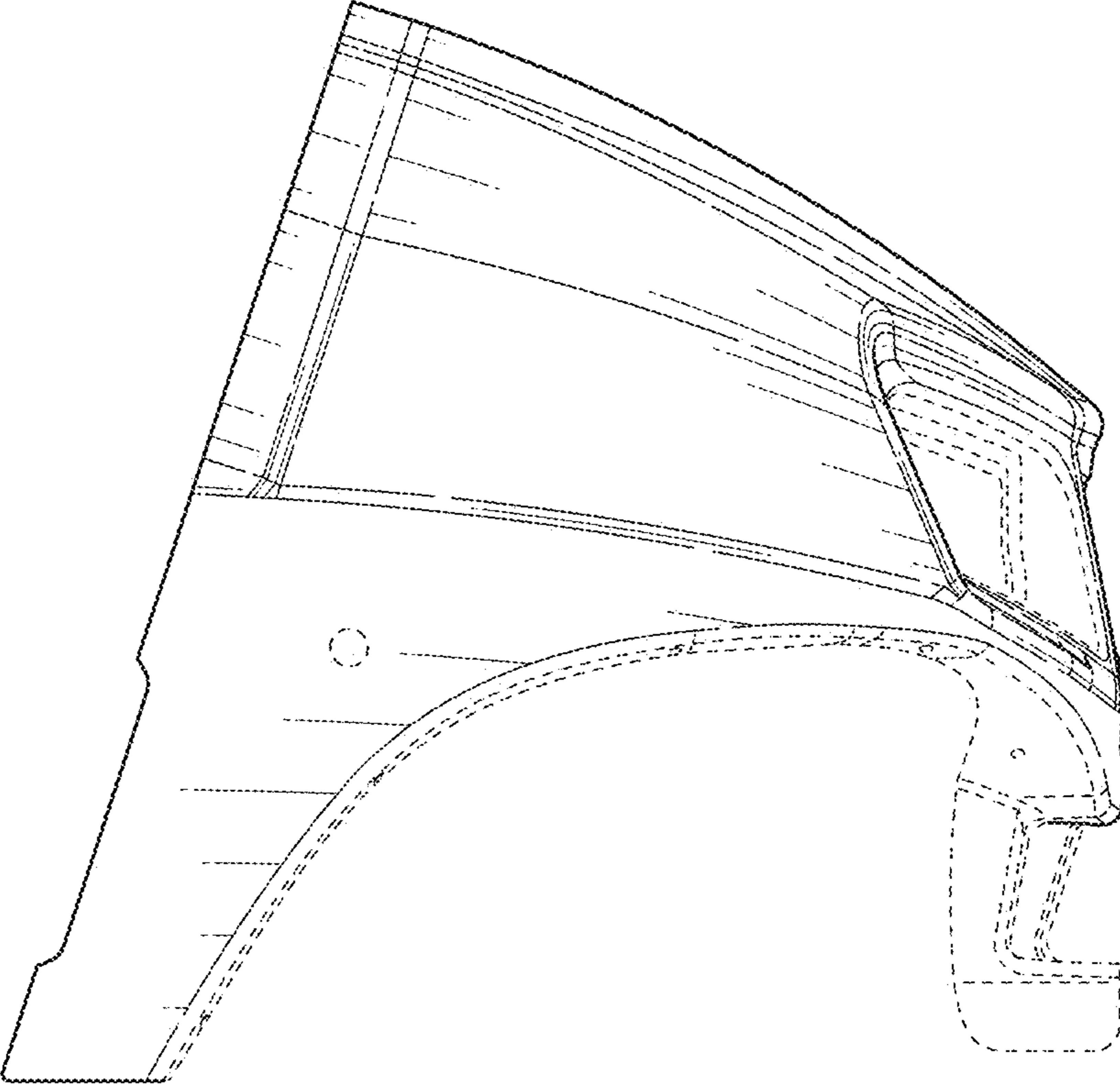


FIG. 5

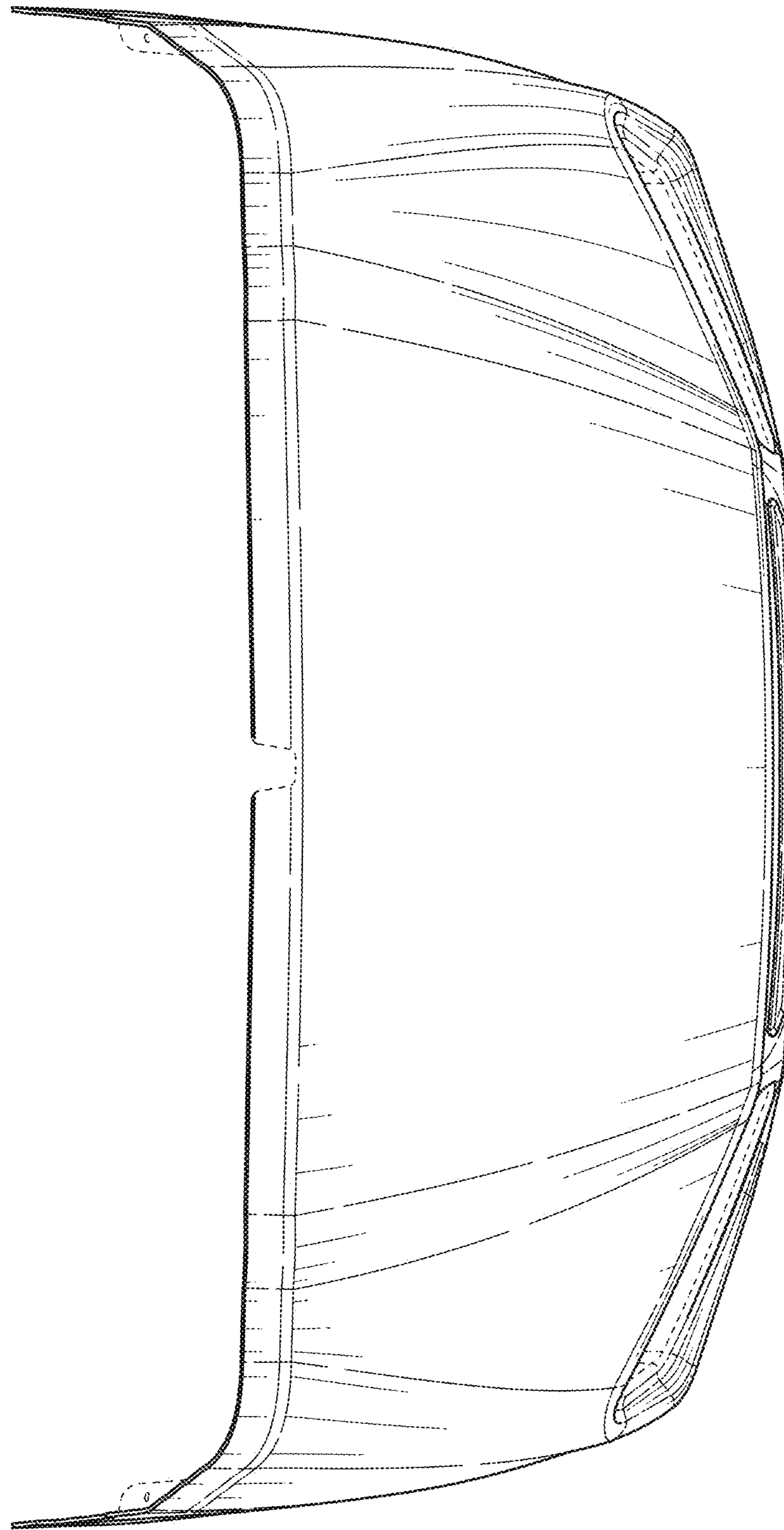


FIG. 6

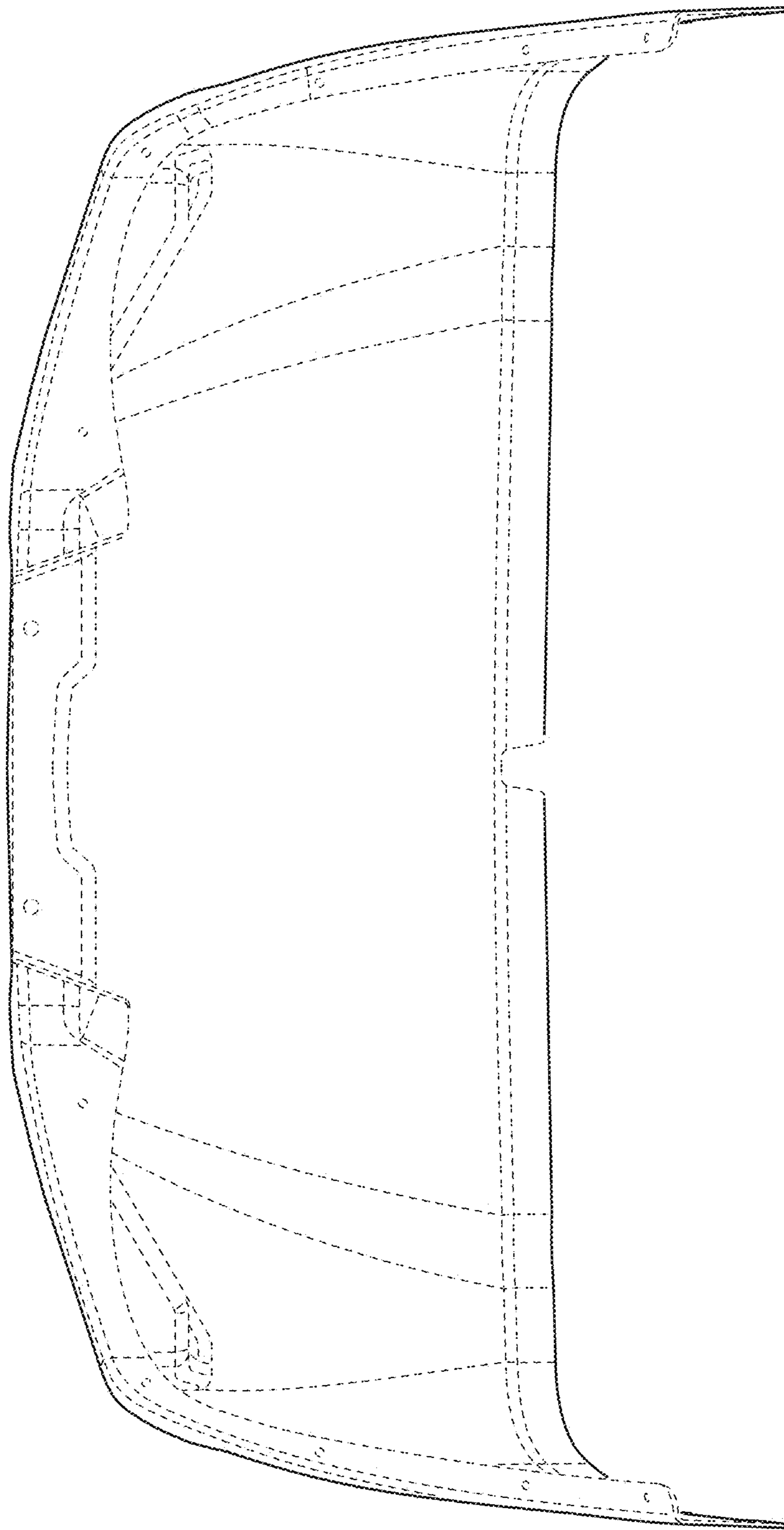


FIG. 7