



US00D953215S

(12) **United States Design Patent**
Babiarz

(10) **Patent No.:** **US D953,215 S**
(45) **Date of Patent:** **** May 31, 2022**

- (54) **PICKUP TRUCK GRILLE AND LIGHTS**
- (71) Applicant: **Nikola Corporation**, Phoenix, AZ (US)
- (72) Inventor: **Brendan Babiarz**, Phoenix, AZ (US)
- (73) Assignee: **Nikola Corporation**, Phoenix, AZ (US)
- (**) Term: **15 Years**

D907,538	S	*	1/2021	Gittin, Jr.	D12/163
D919,494	S	*	5/2021	Wraith	D12/163
D919,495	S	*	5/2021	Wraith	D12/163
11,034,317	B2	*	6/2021	Salter	F21S 41/24
D925,409	S	*	7/2021	Sahara	D12/163
D929,274	S	*	8/2021	Piaskowski	D12/163
11,077,811	B2	*	8/2021	Shenaq	B60R 21/34
D931,154	S	*	9/2021	Park Cheng	D12/163
D933,548	S	*	10/2021	Willing	D12/163
D941,197	S	*	1/2022	Wraith	D12/163

- (21) Appl. No.: **29/770,144**
- (22) Filed: **Feb. 9, 2021**
- (51) **LOC (13) Cl.** **12-16**
- (52) **U.S. Cl.**
USPC **D12/163**
- (58) **Field of Classification Search**
USPC D12/82, 85, 86, 88, 89, 90, 91, 92, 93,
D12/94, 96, 98, 99, 163, 164, 165, 166,
D12/167, 169, 170, 171, 172, 173, 181,
D12/190, 192, 196, 223, 400; D21/533,
D21/548, 552, 561
CPC B60R 19/00; B60R 19/02; B60R 19/04;
B60R 19/16; B60R 19/18; B60R 19/24;
B60R 19/26; B60R 19/44; B60R 19/48;
B60R 19/52; B60R 19/56; B60R
2019/007; B60R 2019/026; B60R
2019/522; B60R 2019/525; B60R
2019/527; B60R 2019/1813; B60R
2019/1833; B60R 2019/1886; B62D
25/02; B62D 25/08; B62D 25/16; B60K
11/08; B60K 11/085
See application file for complete search history.

(56) **References Cited**
U.S. PATENT DOCUMENTS

D906,188	S	*	12/2020	Wraith	D12/163
D906,189	S	*	12/2020	Wraith	D12/163
D906,190	S	*	12/2020	Wraith	D12/163

OTHER PUBLICATIONS

Grilles. (Design—© Questel) orbit.com. [Online PDF compilation of references] 43 pgs. Print Dates Range Jul. 31, 2021-Apr. 2, 2021 [Retrieved Jan. 26, 2022].*

(Continued)

Primary Examiner — Manpreet S Matharu
Assistant Examiner — Suzanne E Tisdell
(74) *Attorney, Agent, or Firm* — Snell & Wilmer L.L.P.

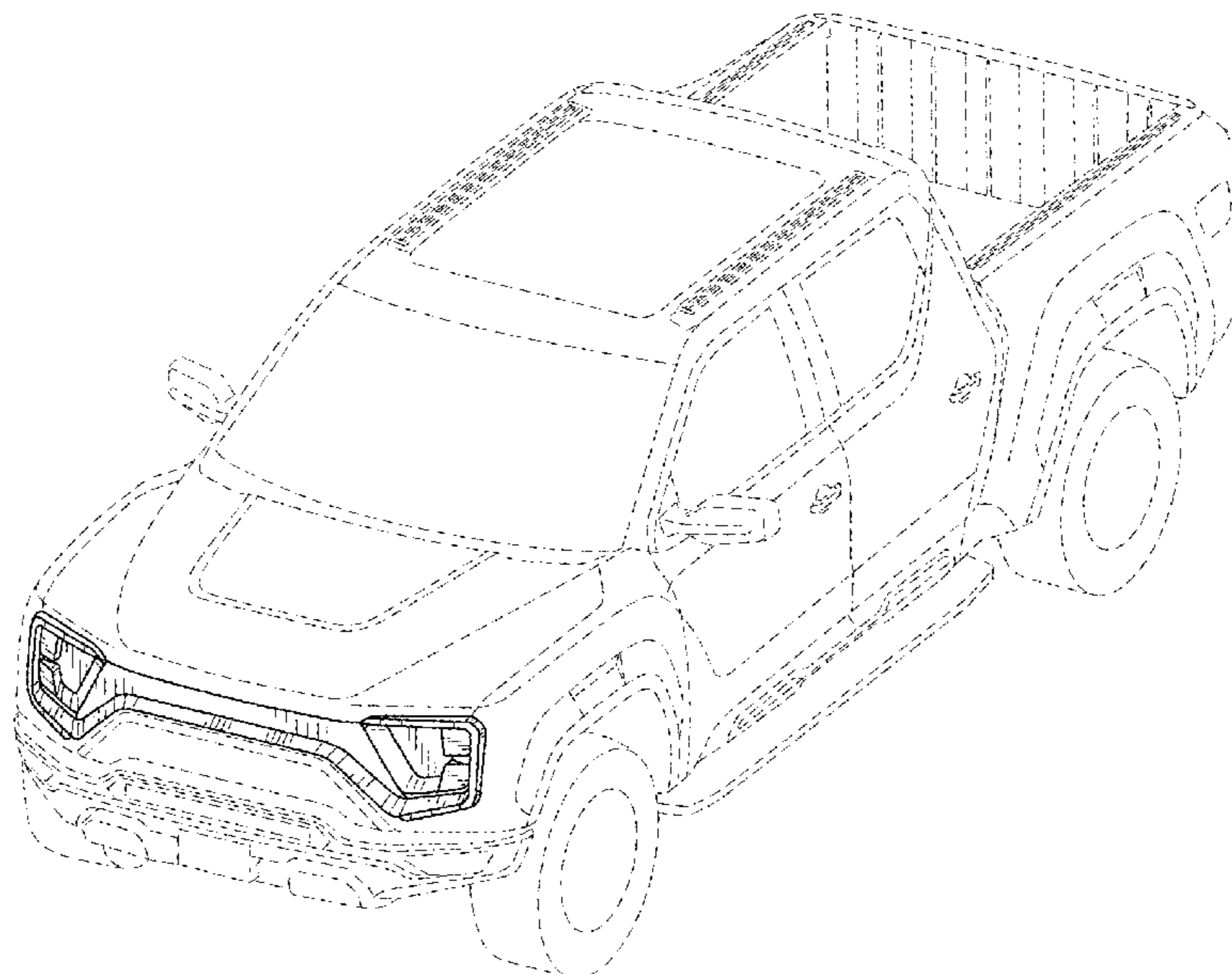
(57) **CLAIM**

The ornamental design for a pickup truck grille and lights, as shown and described.

DESCRIPTION

FIG. 1 is a top, front, and left perspective view of a pickup truck grille and lights embodying the new design; FIG. 2 is a top, rear, and left perspective view of a pickup truck grille and lights embodying the new design; FIG. 3 is a front elevation view thereof; FIG. 4 is a rear elevation view thereof; FIG. 5 is a left side elevation view thereof; FIG. 6 is a right side elevation view thereof; FIG. 7 is a top plan view thereof; and, FIG. 8 is a bottom plan view thereof. The broken lines are included for the purpose of illustrating portions of the truck and form no part of the claimed design.

1 Claim, 8 Drawing Sheets



(56)

References Cited

OTHER PUBLICATIONS

White, Gordon. Electric Trucks For RVs and Campers. Jan. 11, 2019. Truck Camper Magazine. <https://www.truckcampermagazine.com/news/electric-trucks-for-rvs-and-campers/>.*

Dorr, Bryon. Race to Launch First All-Electric American Truck Heats Up. Jan. 7, 2019. Gear Junkie. <https://gearjunkie.com/motors/atlis-xt-electric-pickup/>.*

Hogan, Mack. There Are Already Way Too Many Electric Pickup Trucks. Feb. 11, 2020. Road And Track. <https://www.roadandtrack.com/new-cars/future-cars/a30871285/electric-pickup-trucks/>.*

Computer rendering of truck design posted to Twitter on Nov. 22, 2019.

* cited by examiner

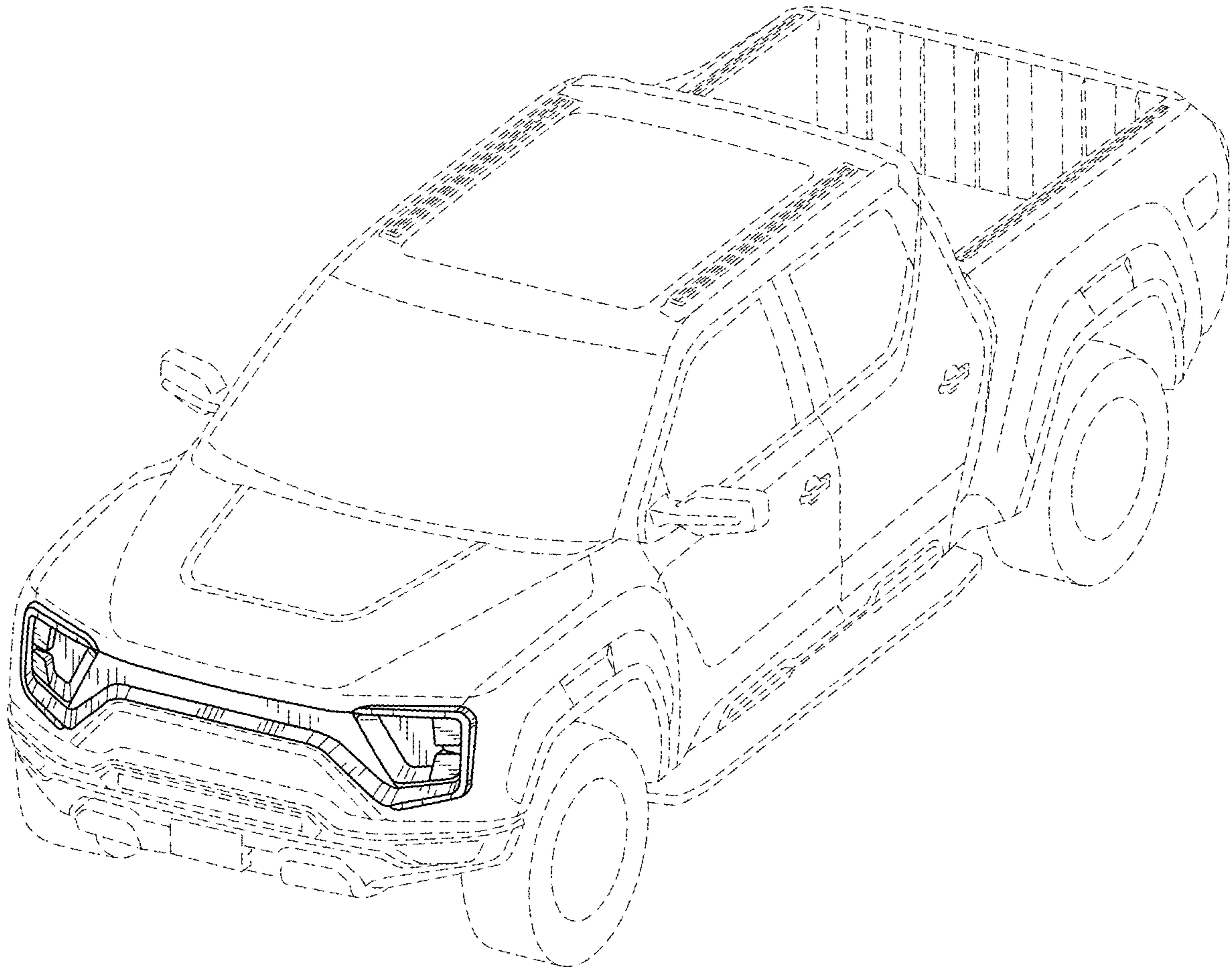


FIG.1

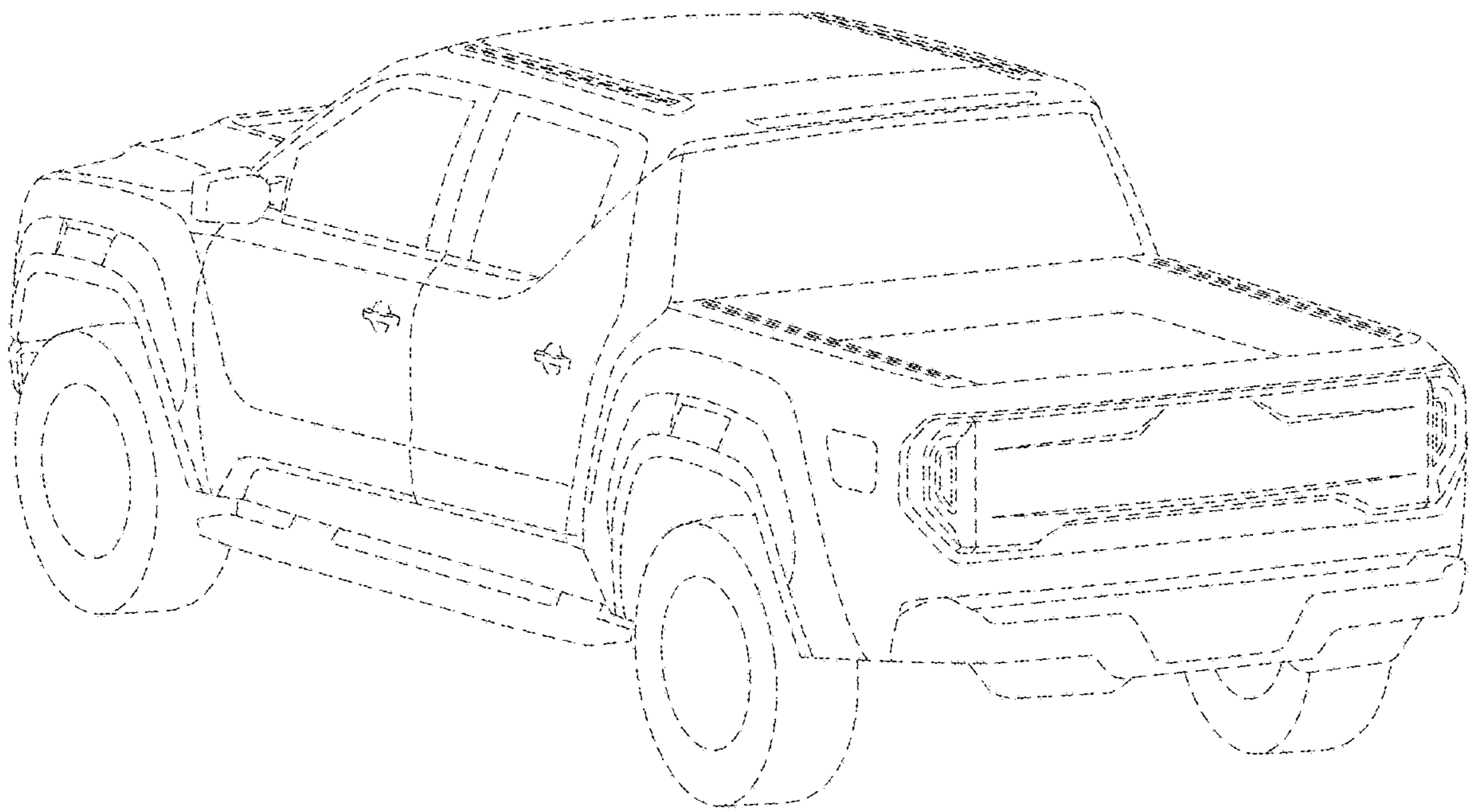


FIG.2

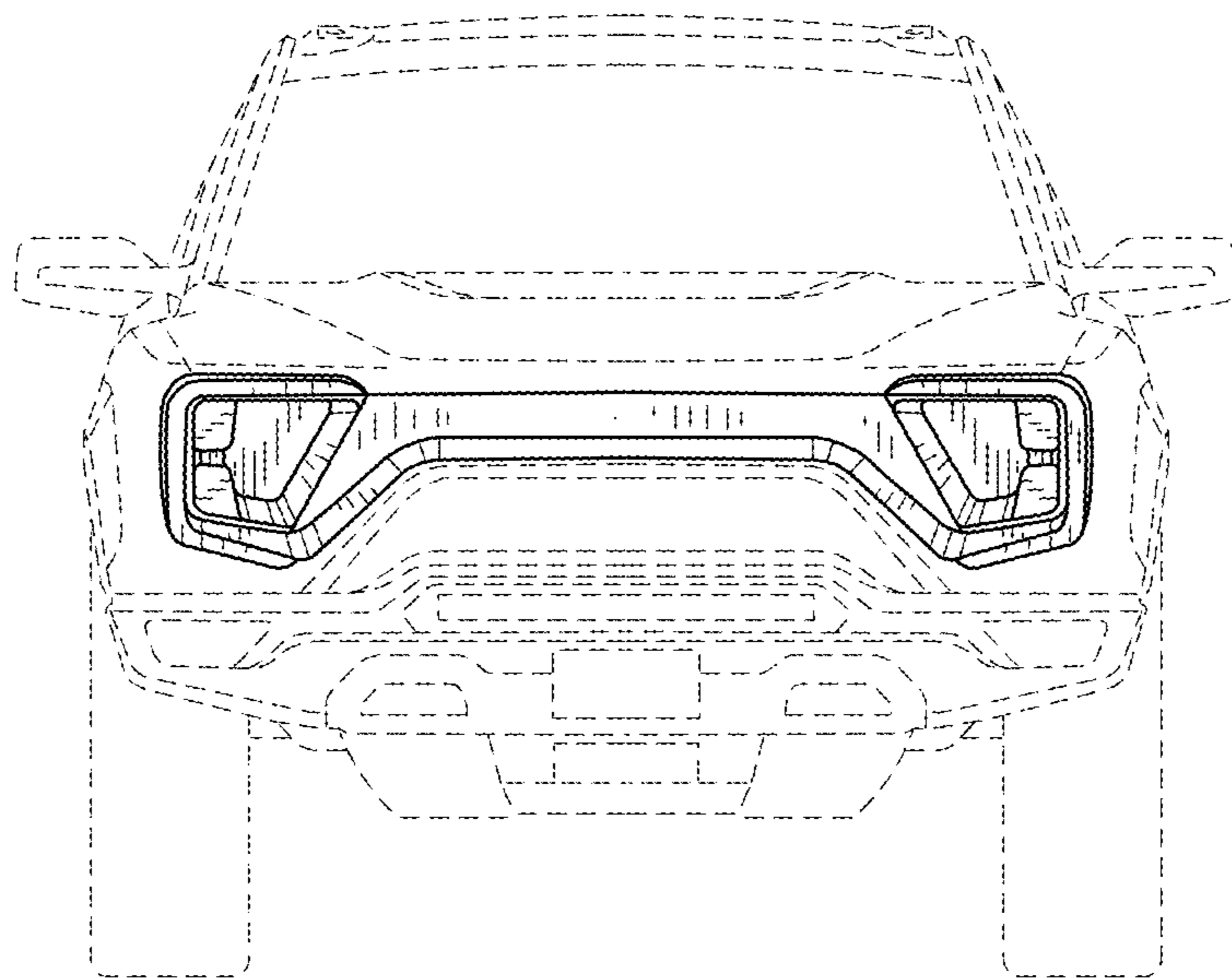


FIG.3

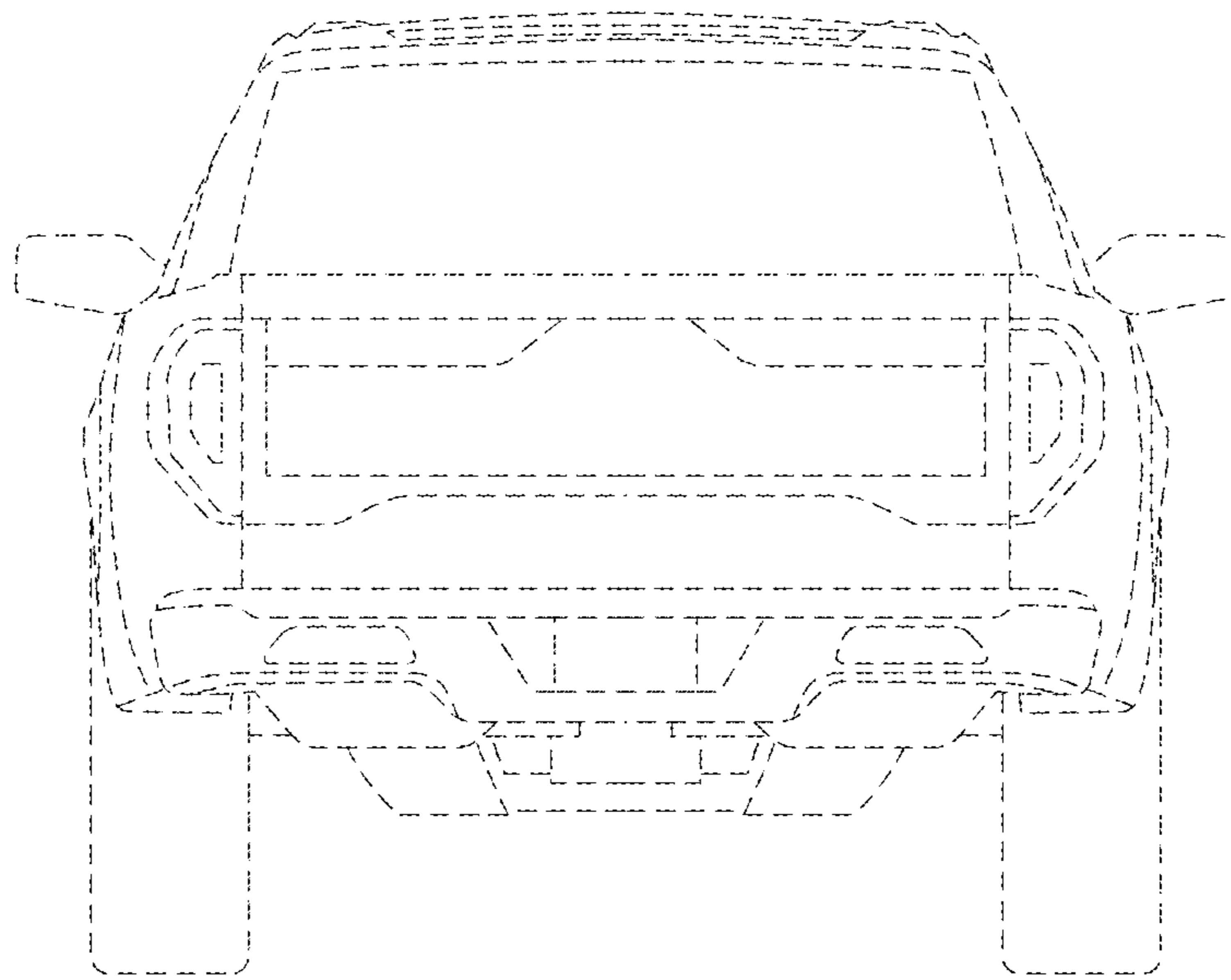


FIG.4

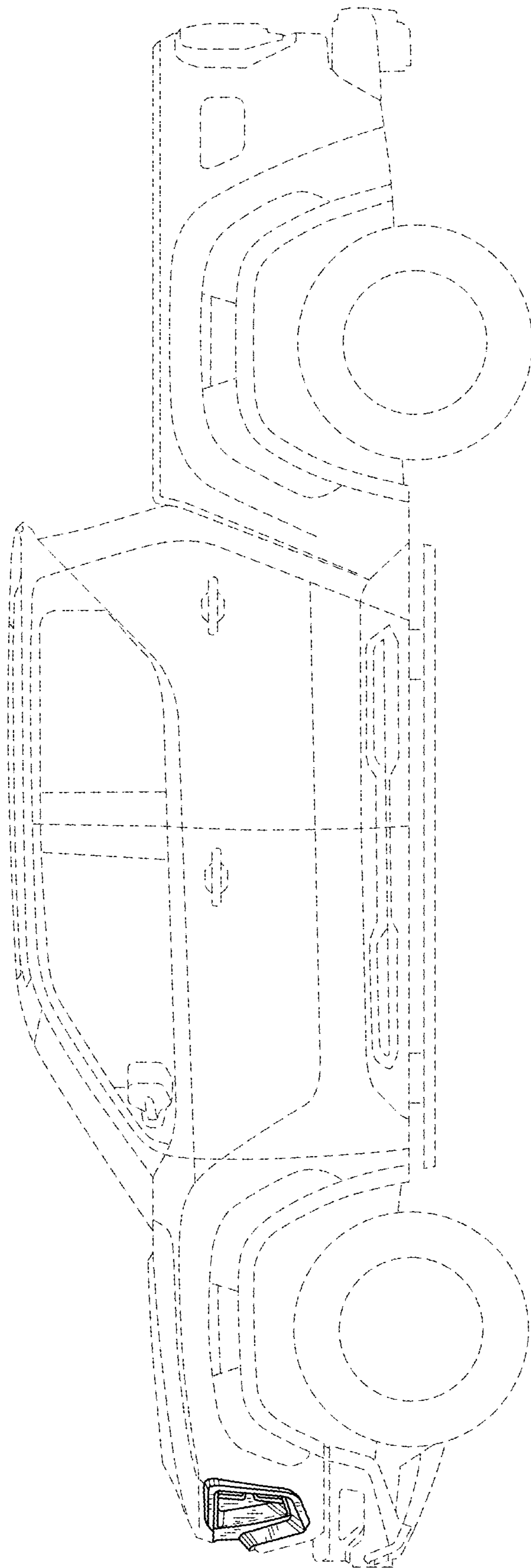


FIG.5

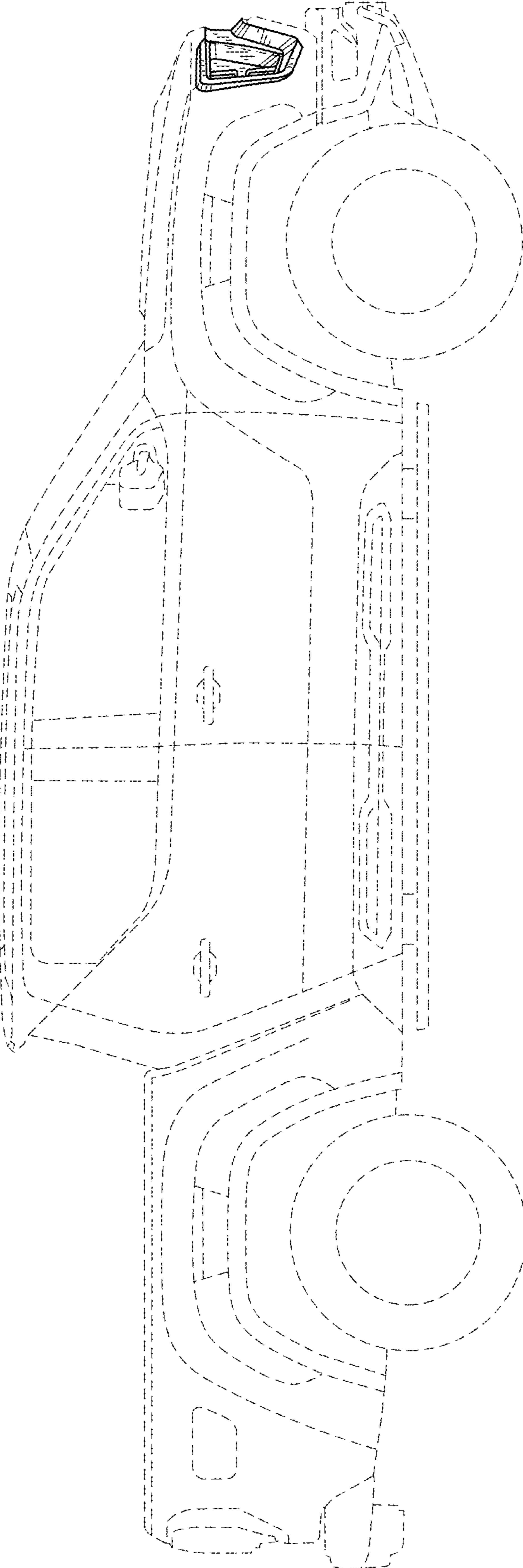


FIG.6

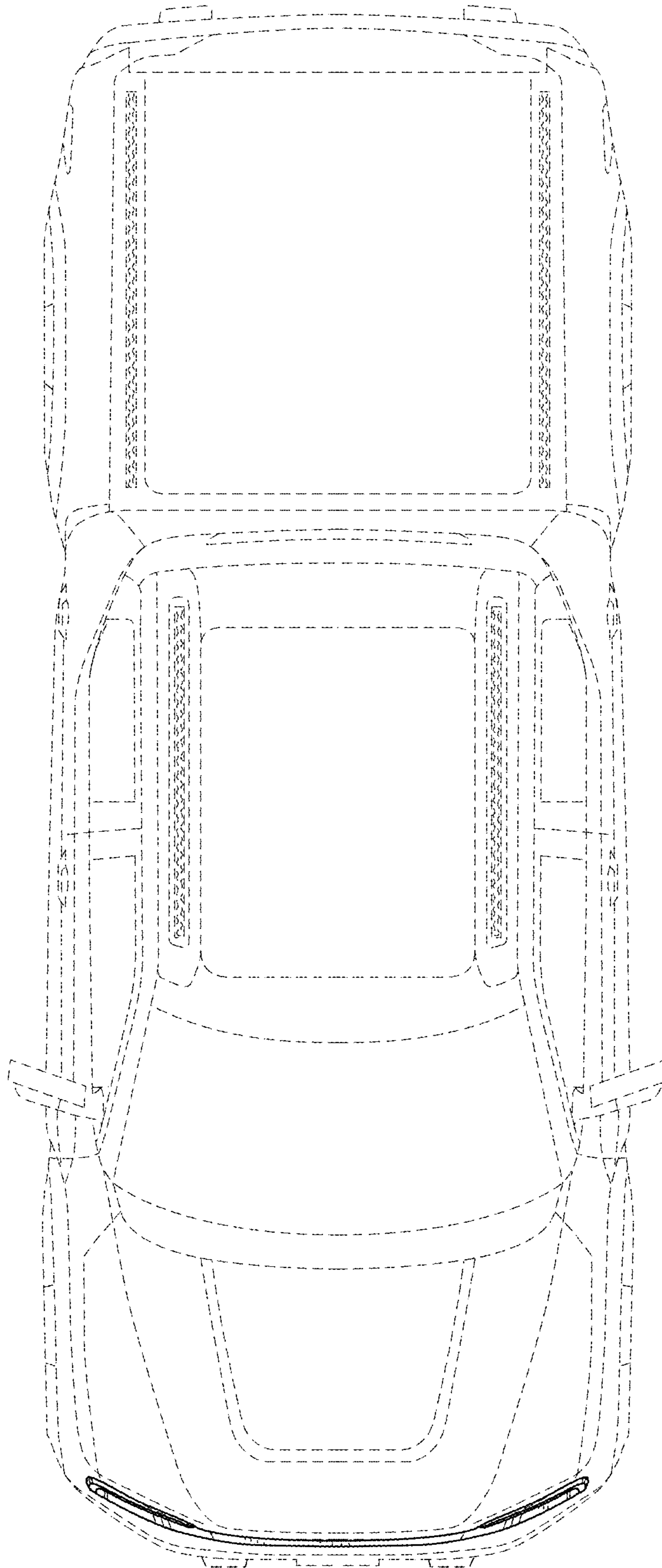


FIG. 7

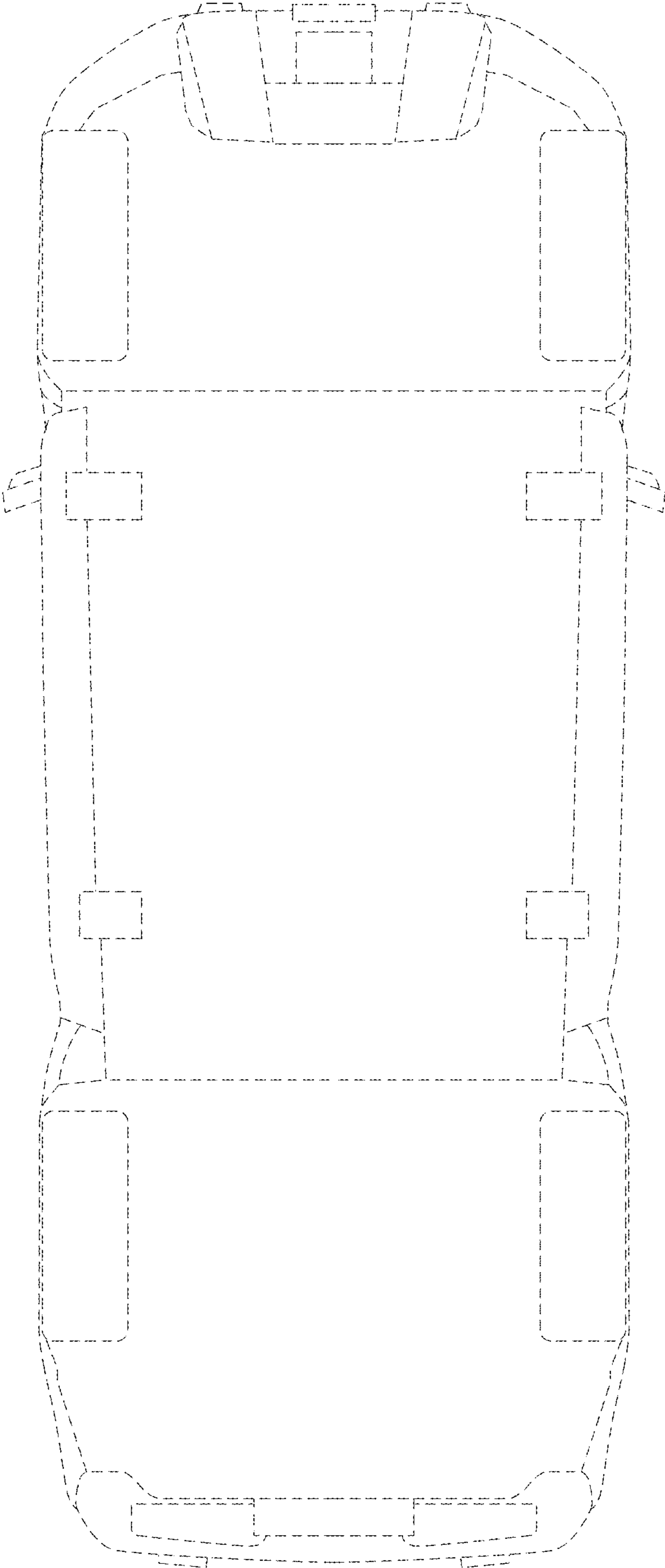


FIG.8