



US00D953210S

(12) **United States Design Patent**
Lu

(10) **Patent No.: US D953,210 S**
(45) **Date of Patent: ** May 31, 2022**

(54) **FOLDABLE FOUR-WHEEL WALKING AID**
(71) Applicant: **Foshan HCT Medical Equipment Co., Ltd.**, Foshan (CN)
(72) Inventor: **Yonghua Lu**, Shangrao (CN)

EP 3095431 A1 * 11/2016 A61H 3/04
EP 3153147 A1 * 4/2017 B60L 15/2018
EP 3205322 A1 * 8/2017 A61H 3/04
KR 20200120995 A * 10/2020
WO WO-2014188726 A1 * 11/2014 A61H 3/04
WO WO-2020236747 A1 * 11/2020 A61B 5/1117
WO WO-2021037936 A1 * 3/2021 A61H 3/04

(**) Term: **15 Years**

OTHER PUBLICATIONS

(21) Appl. No.: **29/738,336**

ELENKER Upright Rollator Walker, Published Aug. 10, 2020 [online], [retrieved on Sep. 19, 2021]. Retrieved from the Internet: https://www.amazon.com/ELENKER-Upright-Rollator-Adjustable-Backrest/dp/B08FJBPKK1/ref=sr_1_1?dchild=1&keywords=B08FJBPKK1&qid=1632097341&sr=8-1 (Year: 2020).*

(22) Filed: **Jun. 17, 2020**

(51) **LOC (13) Cl. 12-12**

(52) **U.S. Cl.**
USPC **D12/130**

* cited by examiner

(58) **Field of Classification Search**
USPC D12/128, 129, 130, 131, 132, 133
CPC A61H 3/00; A61H 3/04; A61H 2003/001; A61H 2003/002; A61H 2003/003; A61H 2003/004; A61H 2003/005; A61H 2003/006; A61H 2003/007; A61H 2003/043; A61H 2003/046
See application file for complete search history.

Primary Examiner — Cary M Robinson
Assistant Examiner — Adam C Mager

(57) **CLAIM**

The ornamental design for a foldable four-wheel walking aid, as shown and described.

(56) **References Cited**

DESCRIPTION

U.S. PATENT DOCUMENTS

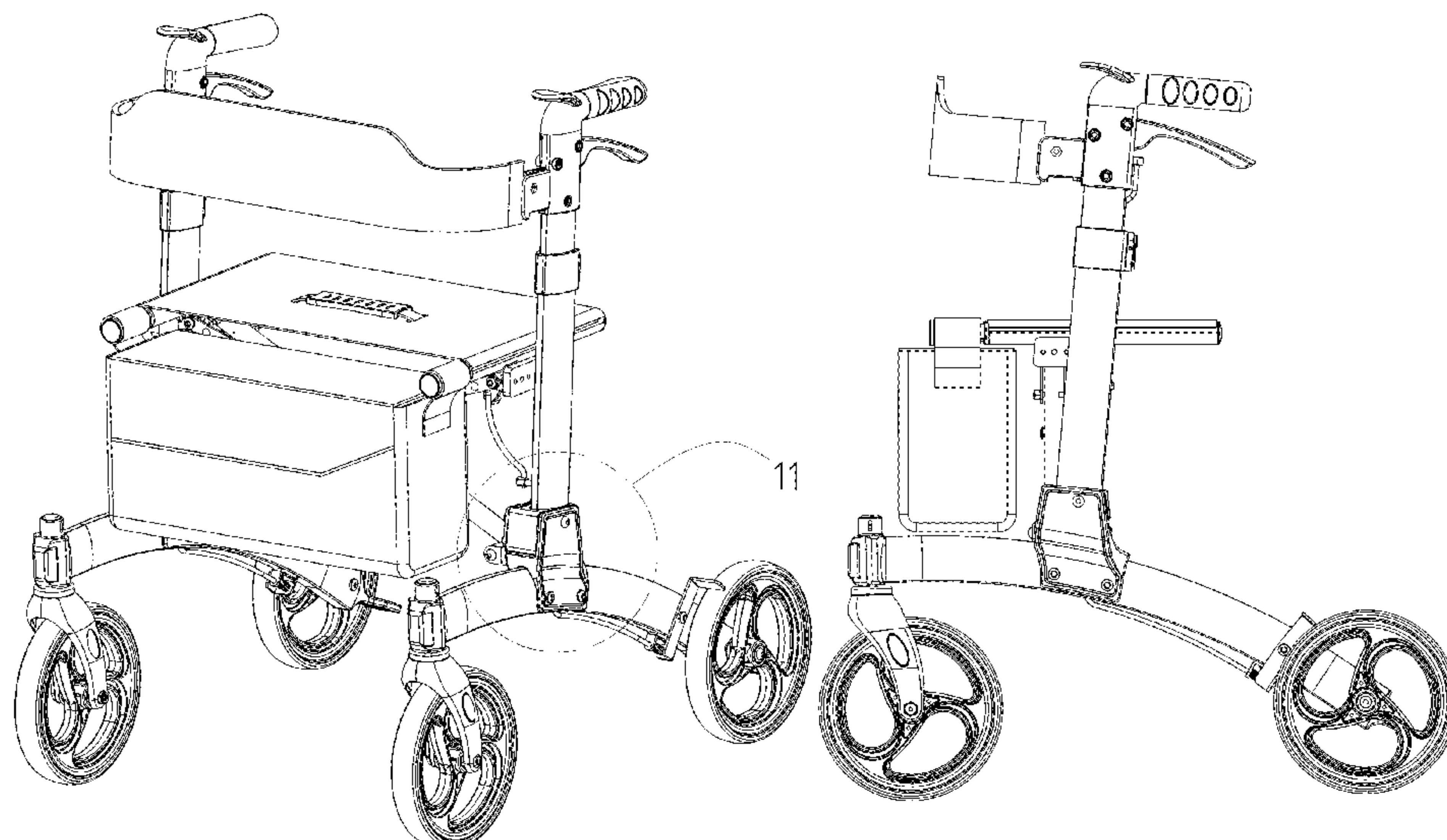
FIG. 1 is a first perspective view of a foldable four-wheel walking aid showing my new design;
FIG. 2 is a second perspective view thereof;
FIG. 3 is a front view thereof;
FIG. 4 is a back view thereof;
FIG. 5 is a left side view thereof;
FIG. 6 is a right side view thereof;
FIG. 7 is a top view thereof;
FIG. 8 is a bottom, view thereof;
FIG. 9 is a first perspective view of, another state of the foldable four-wheel walking aid thereof;
FIG. 10 is a second perspective view of another state of the foldable four-wheel, walking aid thereof; and,
FIG. 11 is an enlarged view of the selected portion in FIG. 1.

9,839,571 B2 * 12/2017 Pan A61H 3/04
D836,499 S * 12/2018 Delatorre D12/130
D897,243 S * 9/2020 Tsai D12/130
11,219,573 B2 * 1/2022 Lu A61H 3/04
2017/0008544 A1 * 1/2017 Kindberg A61H 3/04
2017/0354564 A1 * 12/2017 Dirauf G08B 21/0476
2020/0352816 A1 * 11/2020 Lu A61H 1/00

FOREIGN PATENT DOCUMENTS

CN 106265002 A * 1/2017
CN 108272605 A * 7/2018
CN 108785027 A * 11/2018
CN 110279564 A * 9/2019
CN 210844120 U * 6/2020 A61H 1/00
CN 112168633 A * 1/2021
DE 102016210212 A1 * 12/2017 G08B 25/016

1 Claim, 11 Drawing Sheets



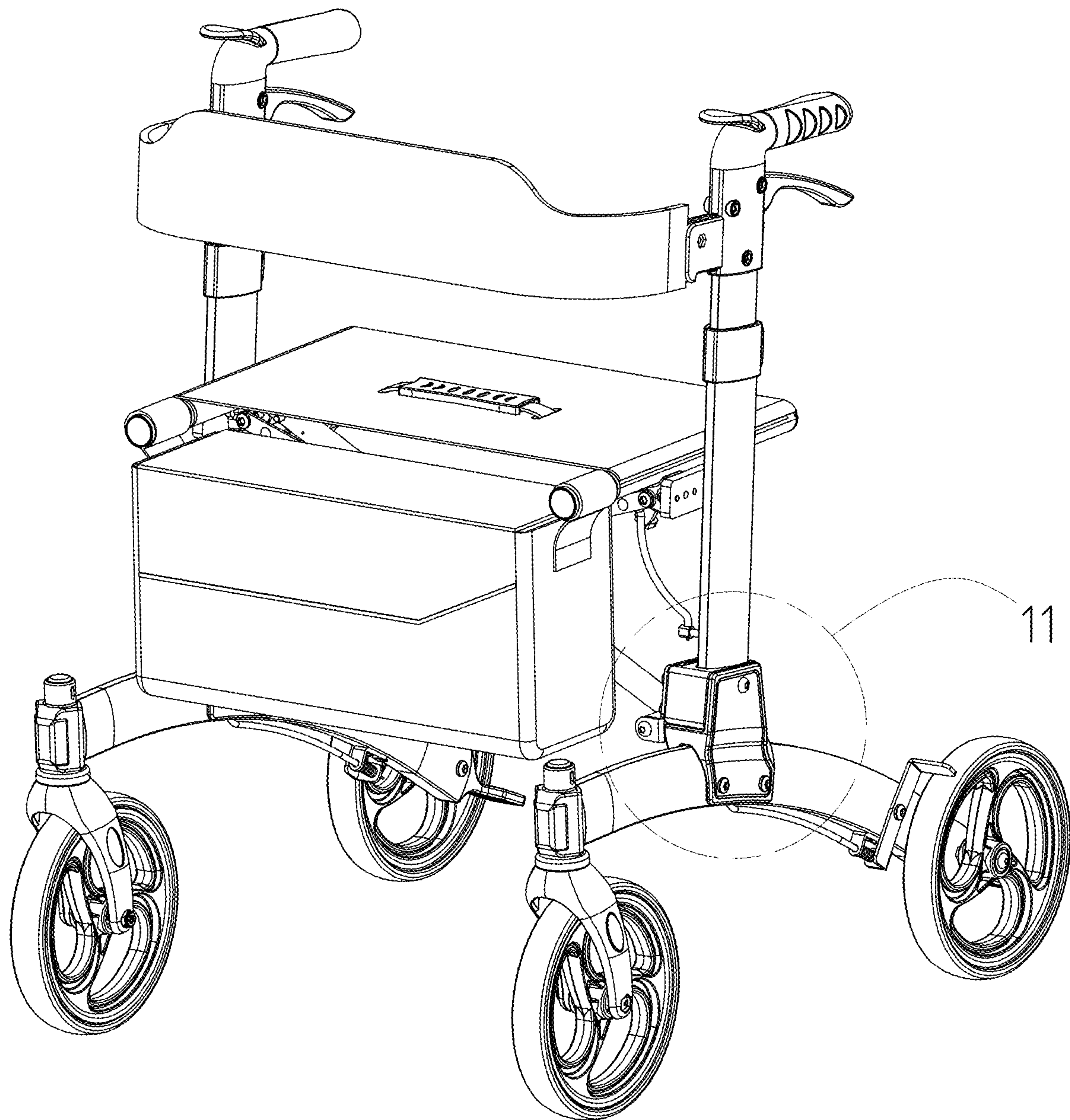


FIG. 1

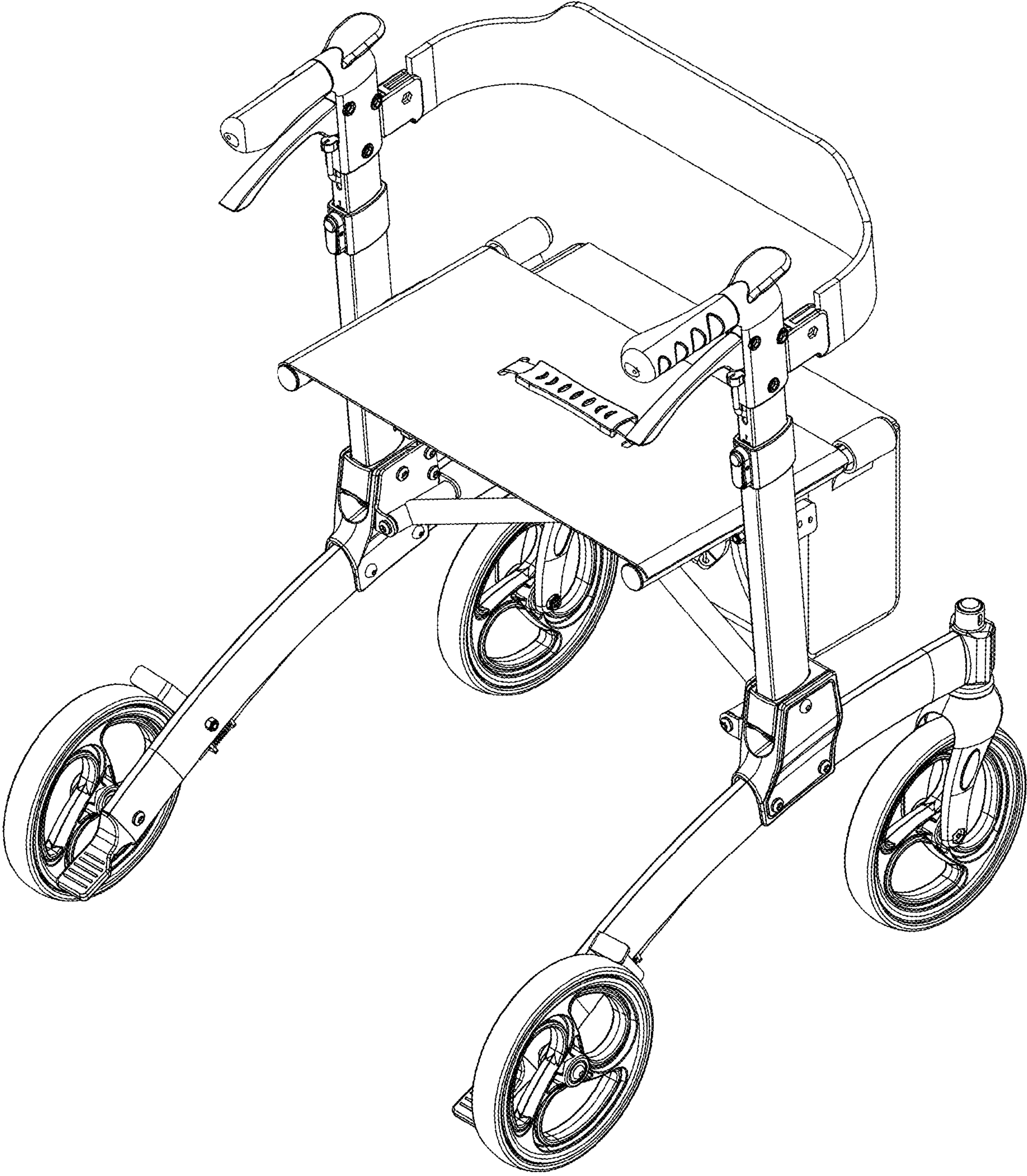


FIG. 2

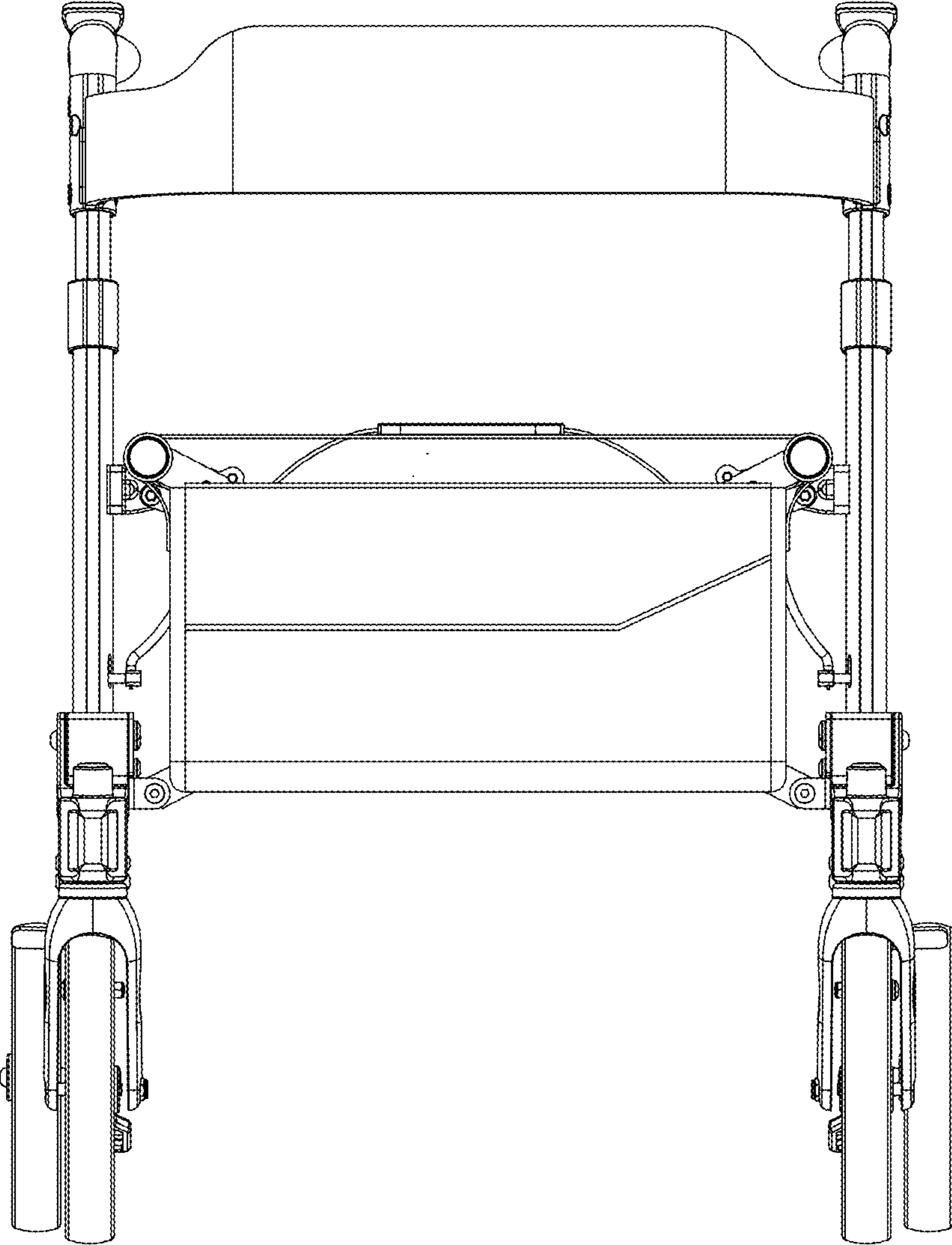


FIG. 3

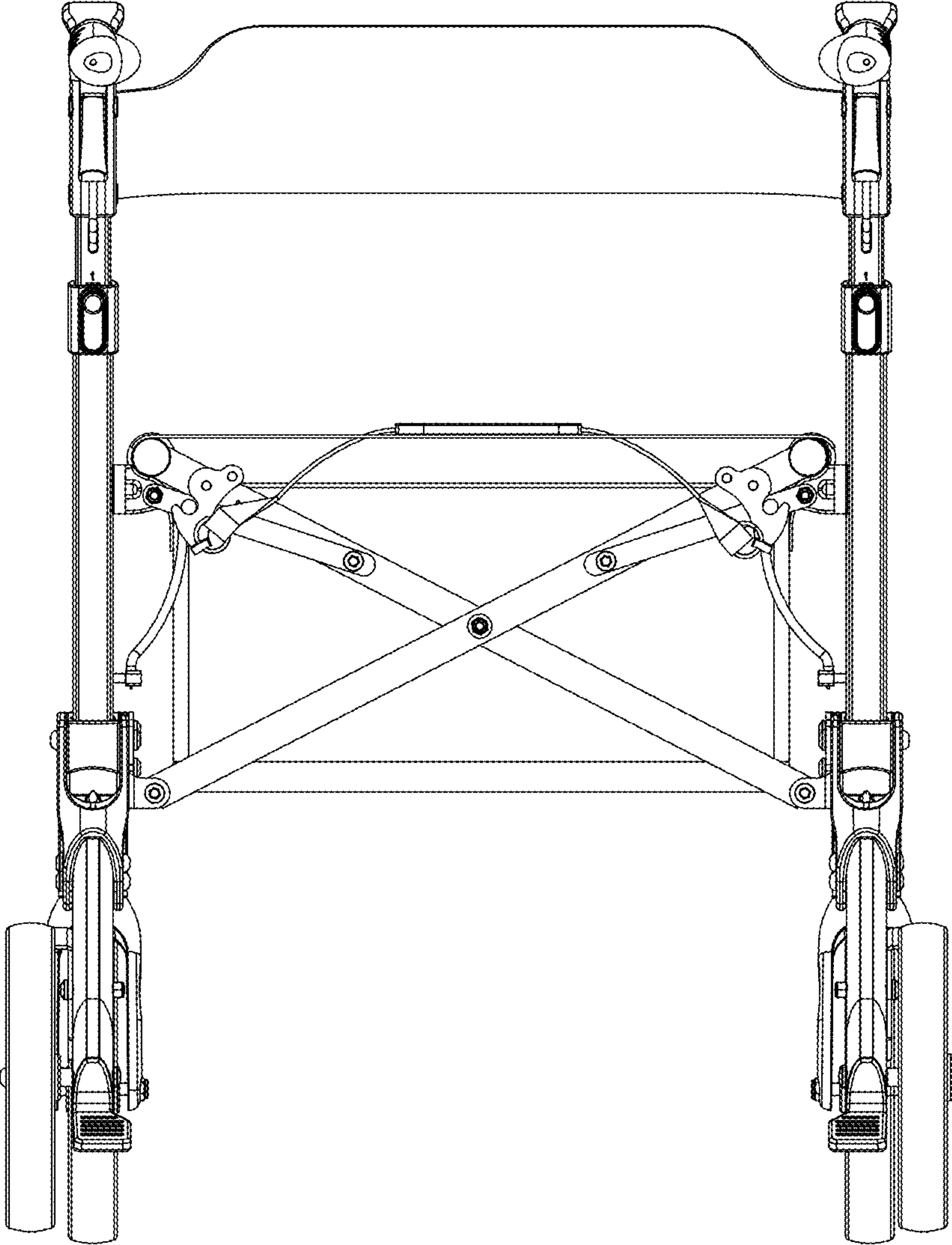


FIG. 4

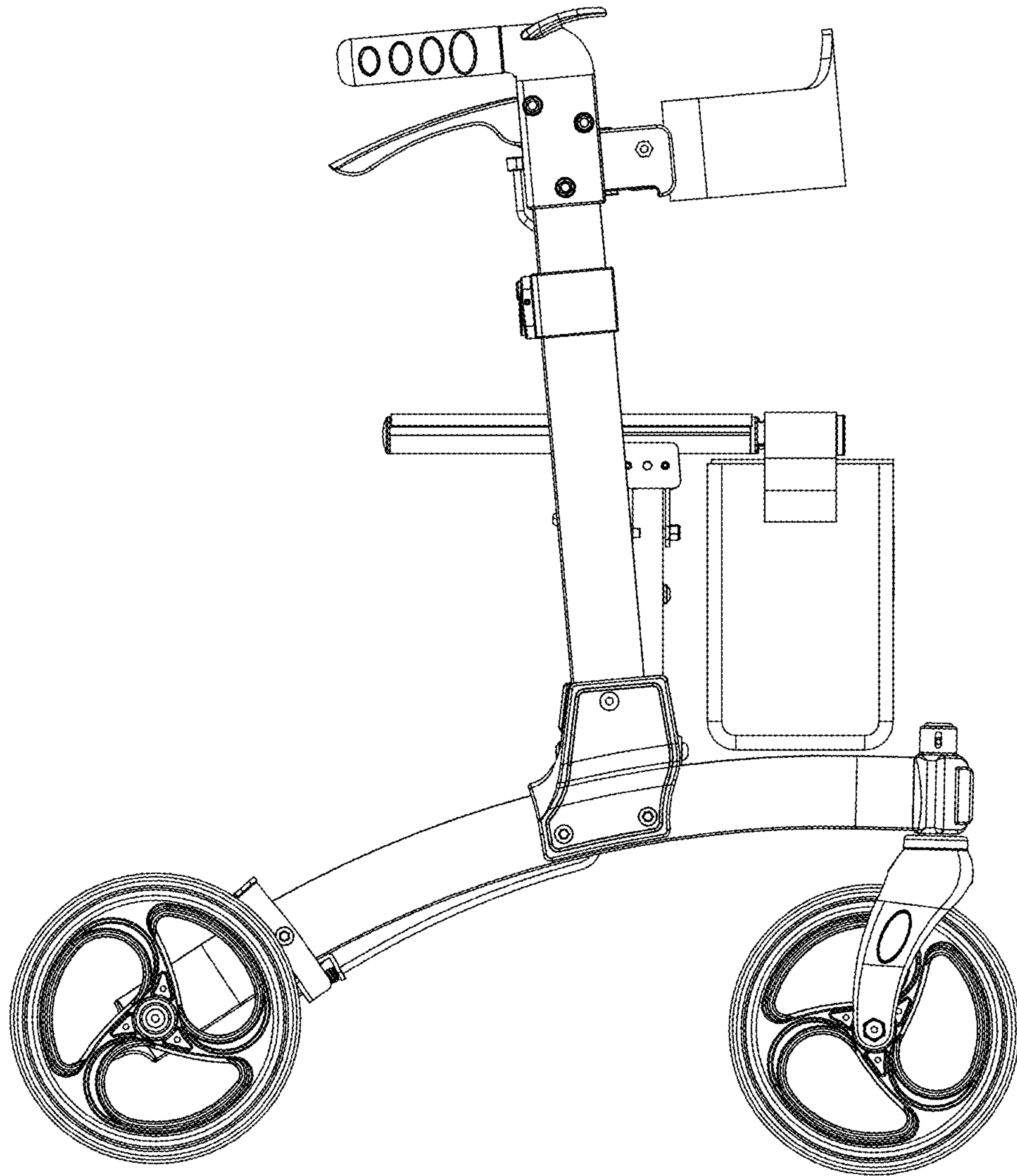


FIG. 5

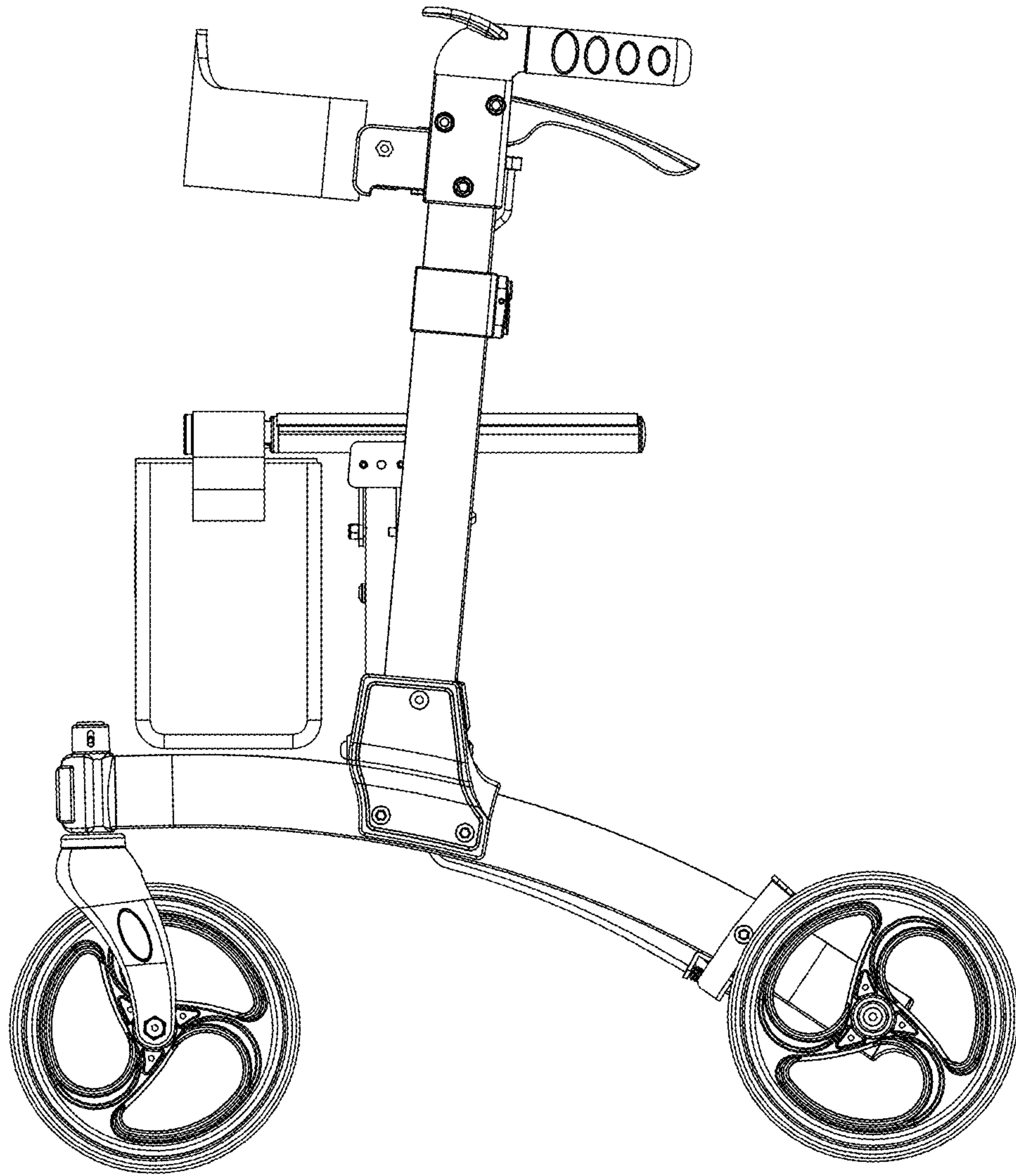


FIG. 6

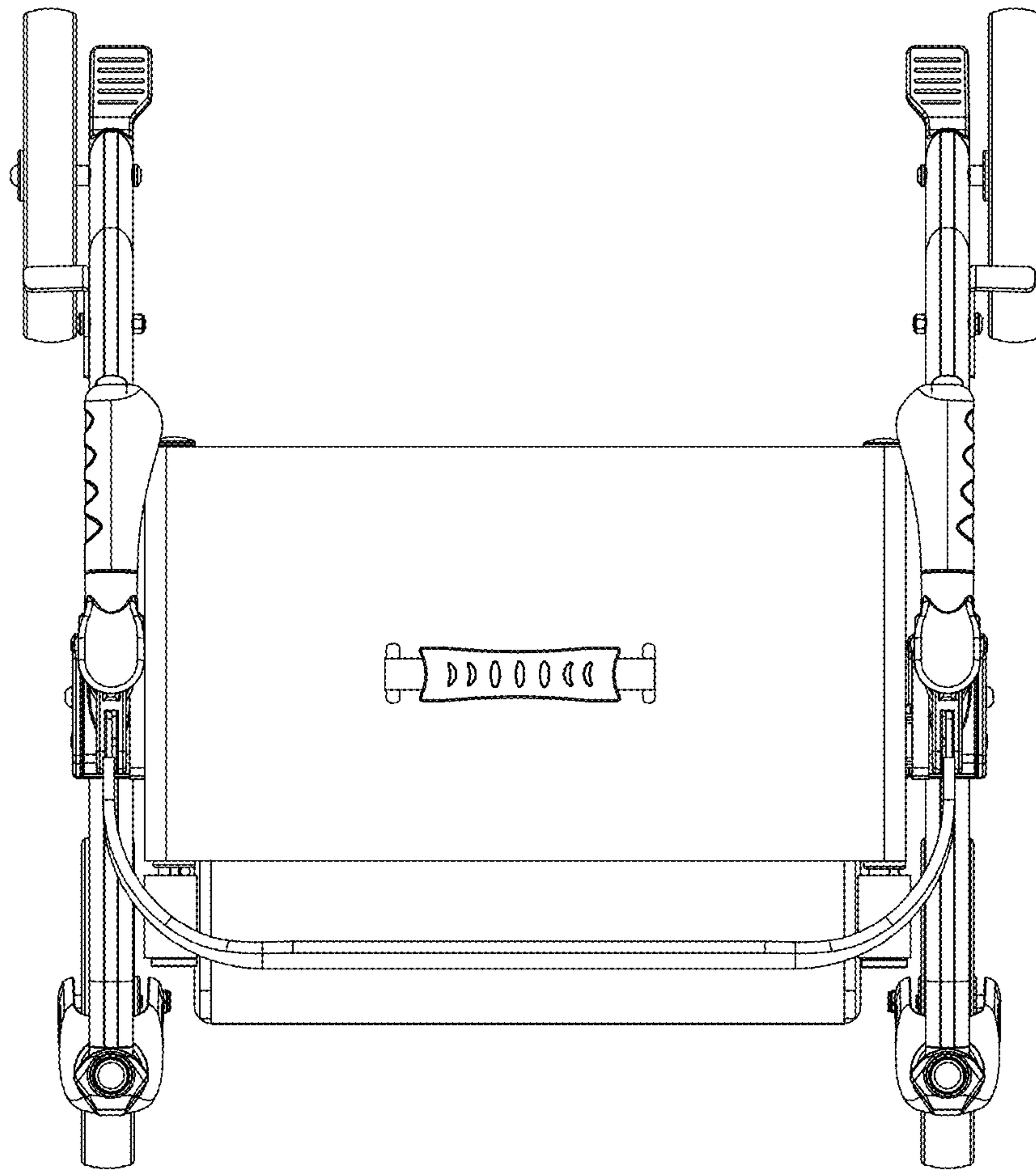


FIG. 7

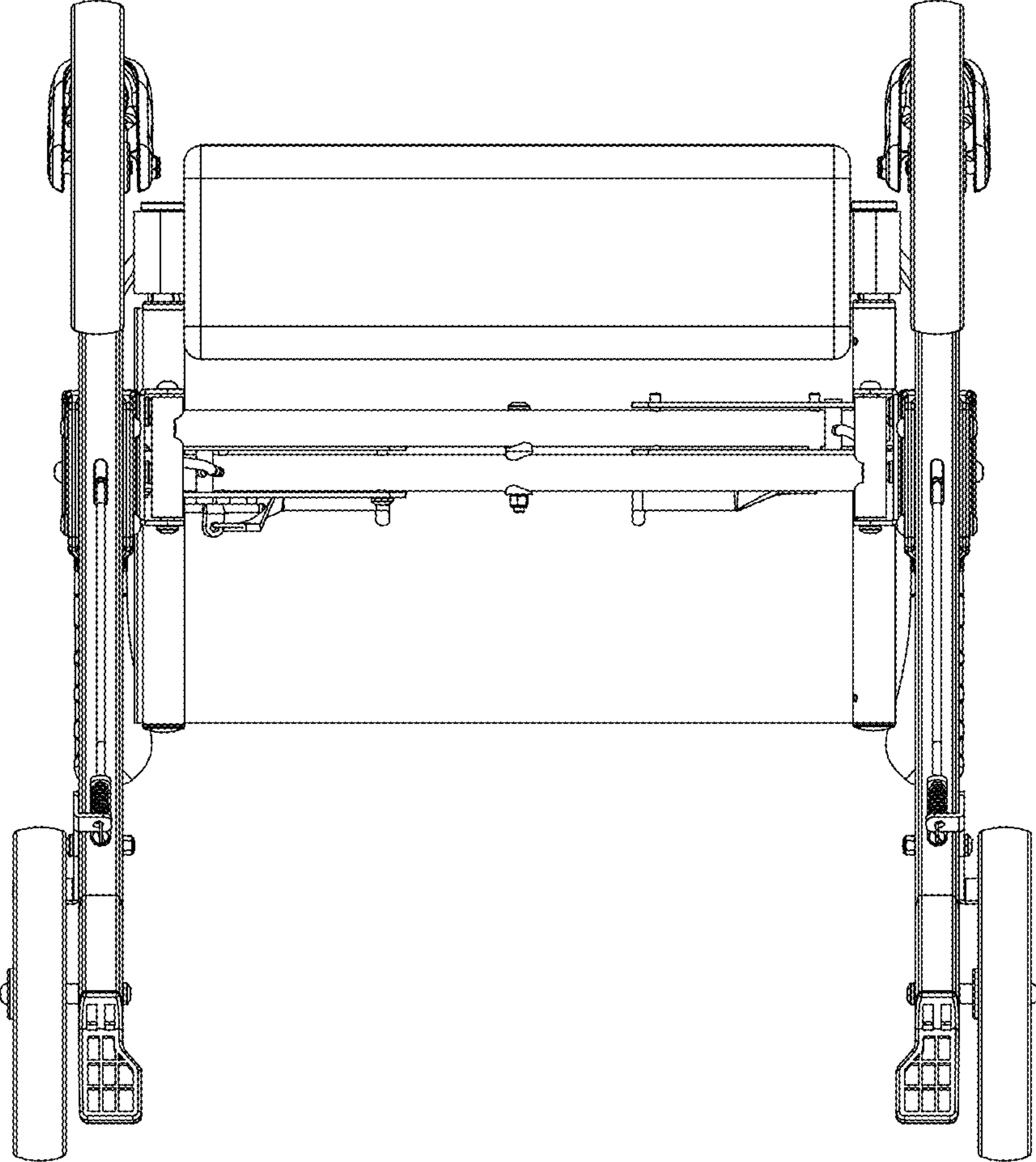


FIG. 8

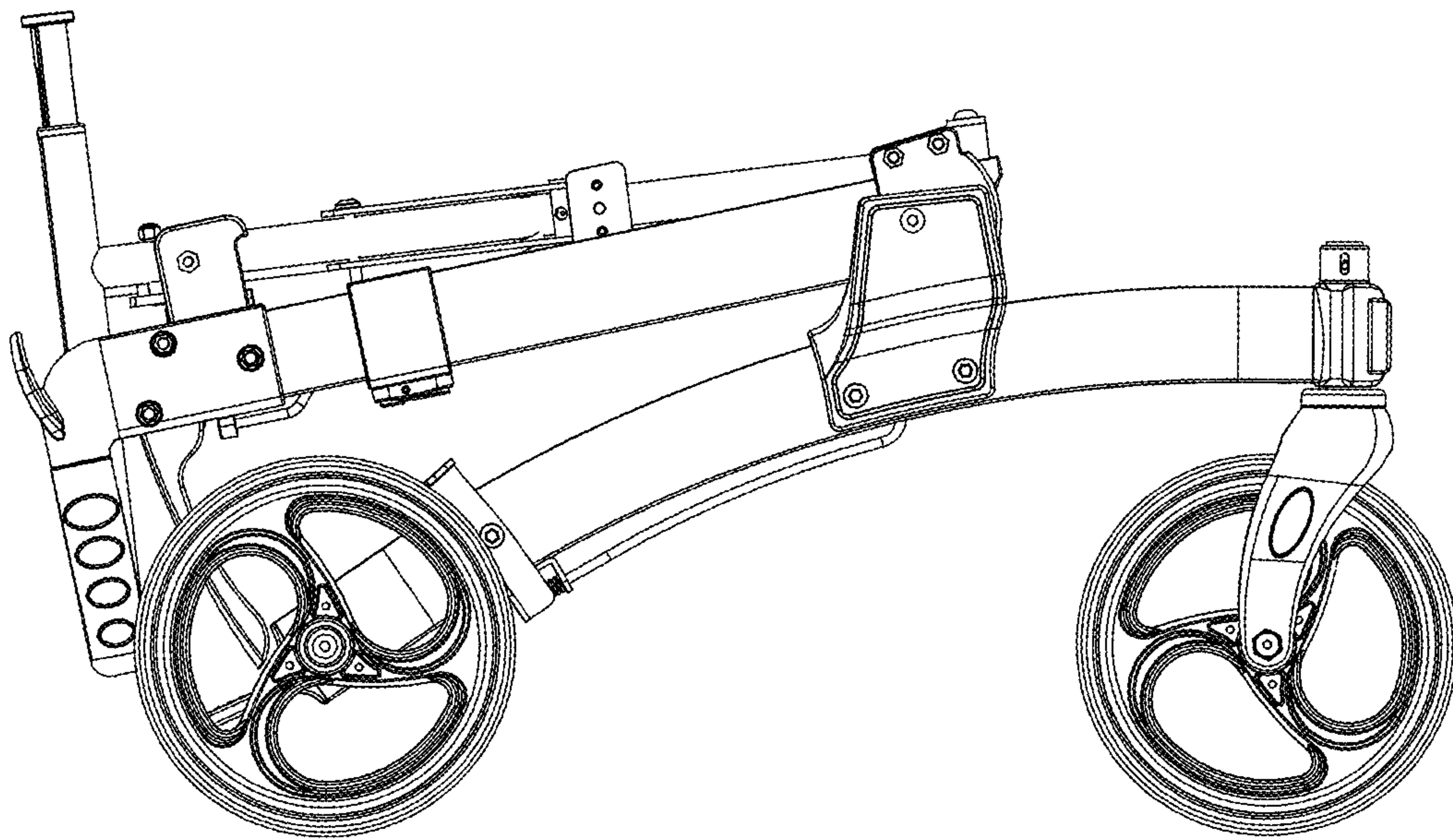


FIG. 9

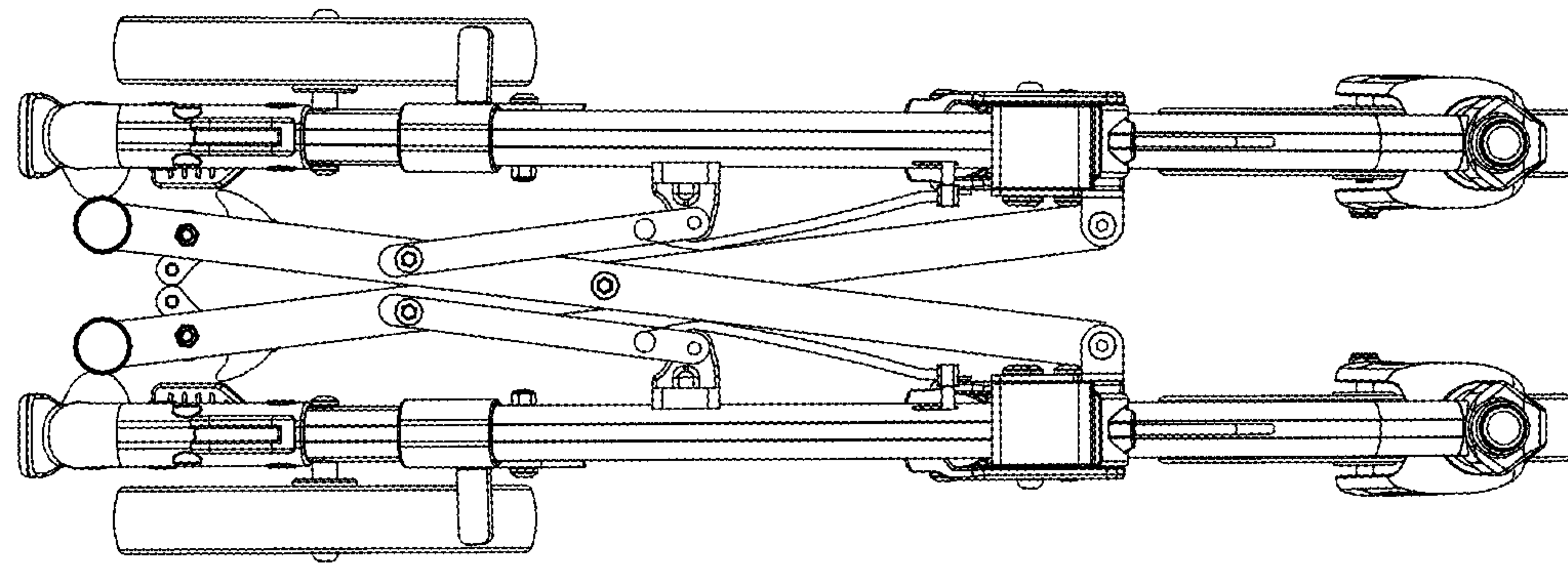


FIG. 10

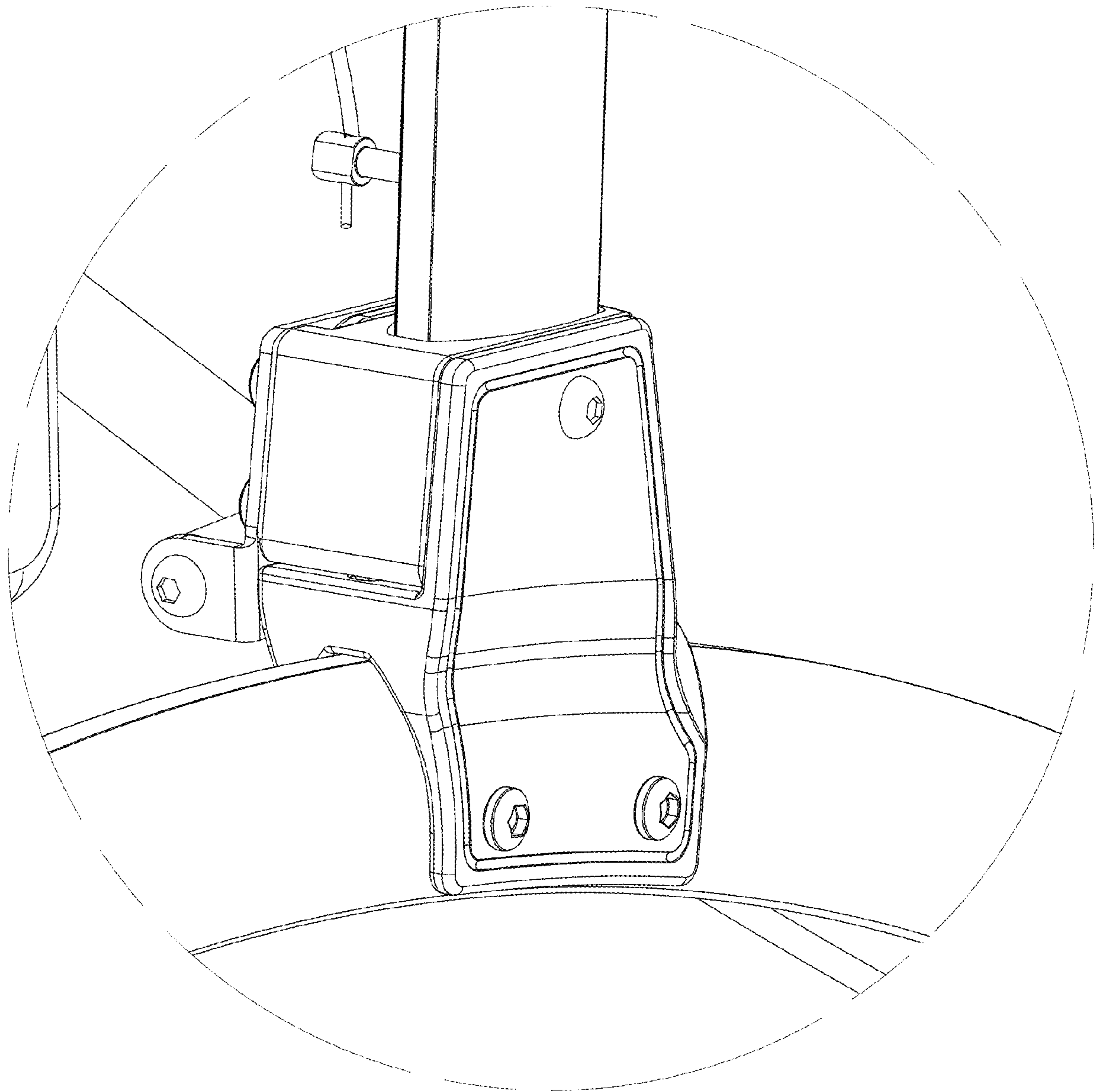


FIG. 11