



US00D953208S

(12) **United States Design Patent**
Goins et al.

(10) **Patent No.:** **US D953,208 S**
(45) **Date of Patent:** **** May 31, 2022**

- (54) **SOLAR POWERED BICYCLE REPAIR STATION**
- (71) Applicant: **ESPAS, Inc.**, Clinton Township, MI (US)
- (72) Inventors: **Jeffrey Goins**, Mount Clemens, MI (US); **Philip Allen Pertner**, Macomb, MI (US)
- (73) Assignee: **ESPAS, INC.**, Clinton Township, MI (US)
- (**) Term: **15 Years**

6,201,181	B1 *	3/2001	Azzam	H02S 10/40
					136/246
D445,273	S *	7/2001	Brown	D6/712
D575,843	S *	8/2008	Werner	D23/207
D598,157	S *	8/2009	Zhou	D26/69
D598,597	S *	8/2009	Lu	D26/68
D600,201	S *	9/2009	Dallaire	D13/102
7,748,511	B1 *	7/2010	Maher	G07F 17/32
					194/205
D632,617	S *	2/2011	Kritzer	D12/115
D680,914	S *	4/2013	Greenblatt	D12/115
D685,725	S *	7/2013	Kunz	D13/102
D717,214	S *	11/2014	Greenblatt	D12/115
D730,820	S *	6/2015	Werner	D13/102
D772,464	S *	11/2016	Wu	D26/68

(Continued)

- (21) Appl. No.: **29/749,052**
- (22) Filed: **Sep. 2, 2020**
- (51) **LOC (13) Cl.** **08-10**
- (52) **U.S. Cl.**
USPC **D12/115**; D13/102
- (58) **Field of Classification Search**
USPC D12/114, 115; D13/102; D15/199
CPC B25H 1/0014; B25H 5/00; B60S 5/04
See application file for complete search history.

FOREIGN PATENT DOCUMENTS

WO WO-2015051775 A2 * 4/2015 B25H 5/00

OTHER PUBLICATIONS

<https://electricbikereport.com/swiftmile-electric-bike-solar-charging-stations-videos/> (Year: 2016).*

Primary Examiner — Patricia A Palasik

(57) **CLAIM**

The ornamental design for a solar powered bicycle repair station, as shown and described.

(56) **References Cited**

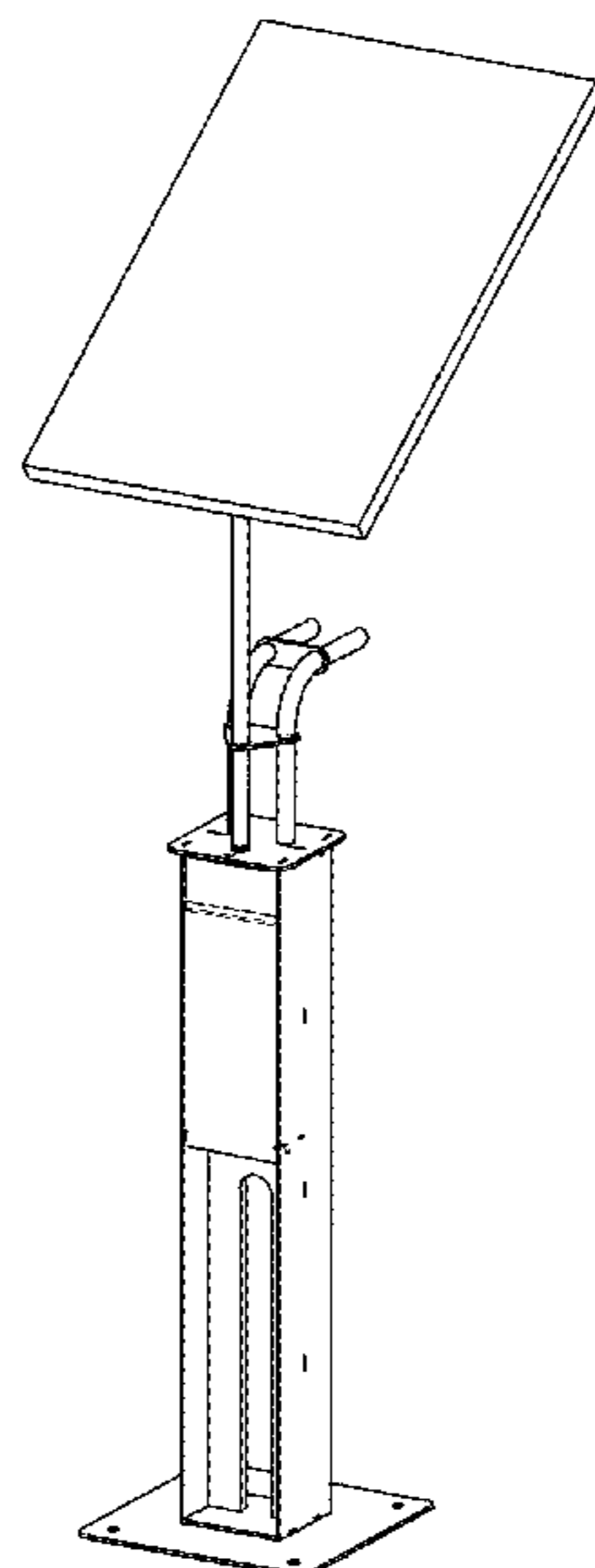
U.S. PATENT DOCUMENTS

558,103	A *	4/1896	Polk	B25H 1/0014
					211/22
D277,286	S *	1/1985	Schnatzmeyer	D15/21
D281,199	S *	10/1985	Prawl	D34/28
4,727,958	A *	3/1988	Botello	B25H 5/00
					182/15
4,863,178	A *	9/1989	Friesen	B25H 5/00
					280/32.6
D309,789	S *	8/1990	Luce	D26/68
5,917,407	A *	6/1999	Squire	G07F 17/0057
					235/382
6,106,970	A *	8/2000	Kalarney	H01M 50/20
					429/96

DESCRIPTION

FIG. 1 is a front elevational view of a solar powered bicycle repair station, showing our new design; FIG. 2 is a rear elevational view thereof; FIG. 3 is a right side elevational view thereof; FIG. 4 is a left side elevational view thereof; FIG. 5 is a top plan view thereof; FIG. 6 is a bottom plan view thereof; FIG. 7 is a front and left side perspective view thereof; and, FIG. 8 is a rear and right side perspective view thereof.

1 Claim, 5 Drawing Sheets



(56)

References Cited

U.S. PATENT DOCUMENTS

9,498,880 B2 * 11/2016 Scholtz B25H 1/0014
 D787,140 S * 5/2017 DeBaker D32/4
 D787,758 S * 5/2017 DeBaker D32/4
 9,789,602 B2 * 10/2017 DeBaker F04B 33/005
 D819,711 S * 6/2018 Li D15/199
 11,084,162 B1 * 8/2021 Liu B25H 1/0014
 D933,541 S * 10/2021 Fournier D12/115
 D934,159 S * 10/2021 Dunn D13/102
 D941,191 S * 1/2022 Hageman D12/115
 2004/0046091 A1 * 3/2004 Chuang B25B 1/22
 248/125.1
 2005/0023431 A1 * 2/2005 Coffelt G07F 17/0042
 248/637
 2007/0220933 A1 * 9/2007 Gagosz B62M 6/40
 70/233
 2012/0007298 A1 * 1/2012 Proietti B25H 1/0014
 269/61

2013/0219705 A1 * 8/2013 Scholtz B25H 1/0014
 29/650
 2014/0041180 A1 * 2/2014 Williams B25H 1/0014
 248/676
 2014/0083626 A1 * 3/2014 Voegeli B25H 1/0014
 29/559
 2014/0263880 A1 * 9/2014 Greenblatt B25H 3/04
 248/121
 2015/0298314 A1 * 10/2015 DeBaker B25H 1/0014
 29/559
 2015/0357837 A1 * 12/2015 Takai H02J 7/0021
 320/137
 2016/0297063 A1 * 10/2016 Chuang B25H 1/0014
 2020/0353611 A1 * 11/2020 Smith B62H 3/02
 2020/0362841 A1 * 11/2020 Greenblatt F04B 39/121
 2021/0245619 A1 * 8/2021 Ferrari B60L 53/65
 2021/0394930 A1 * 12/2021 O'Toole B64C 39/024
 2022/0055770 A1 * 2/2022 O'Toole H04W 12/037

* cited by examiner

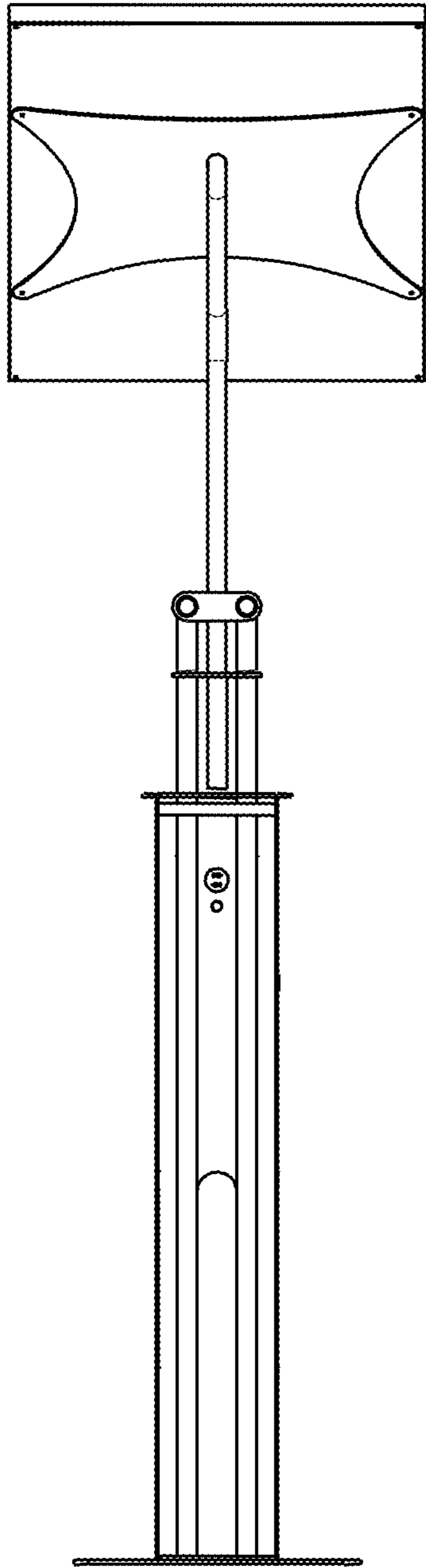


FIG. 1

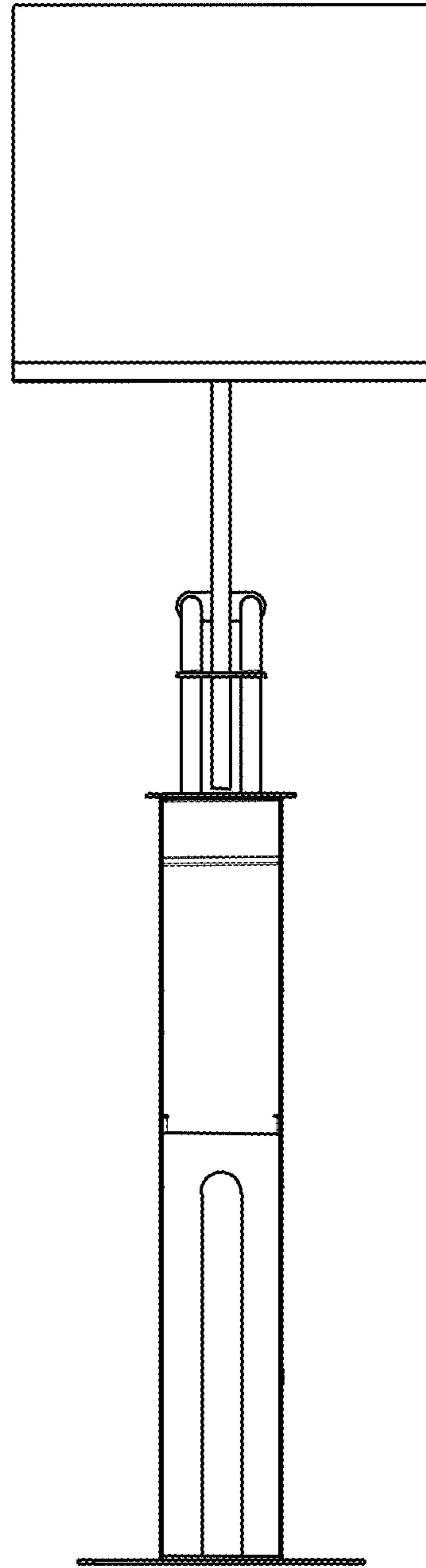


FIG. 2

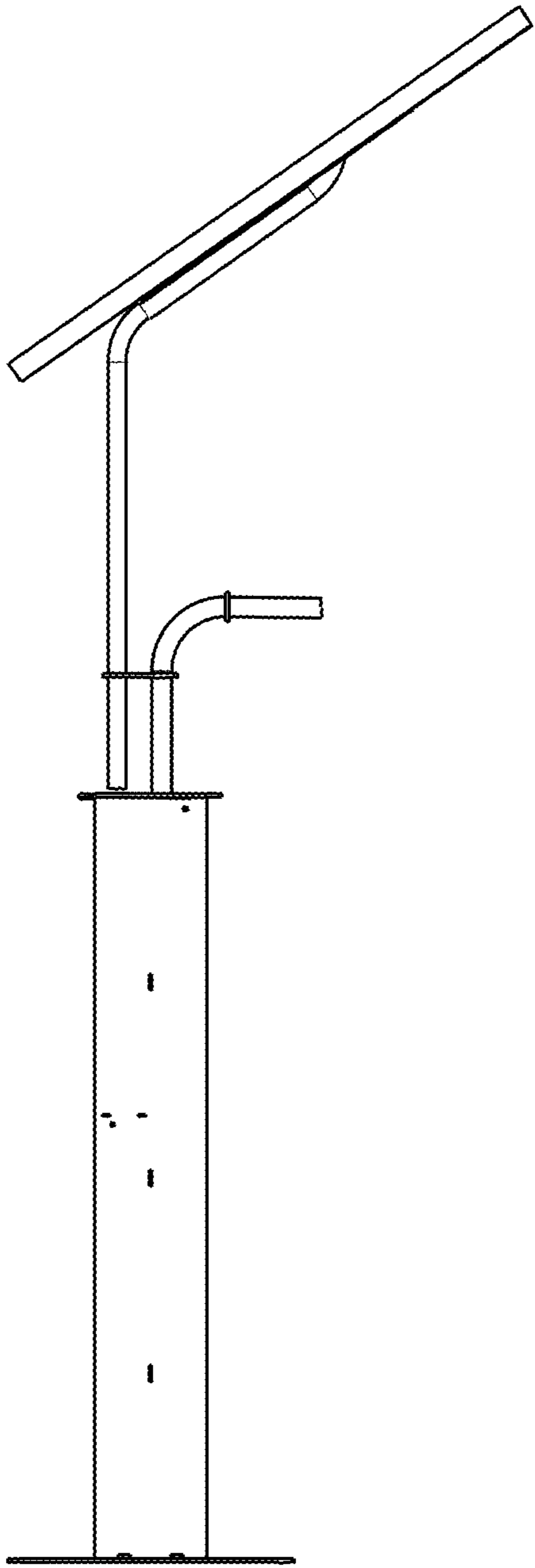


FIG. 4

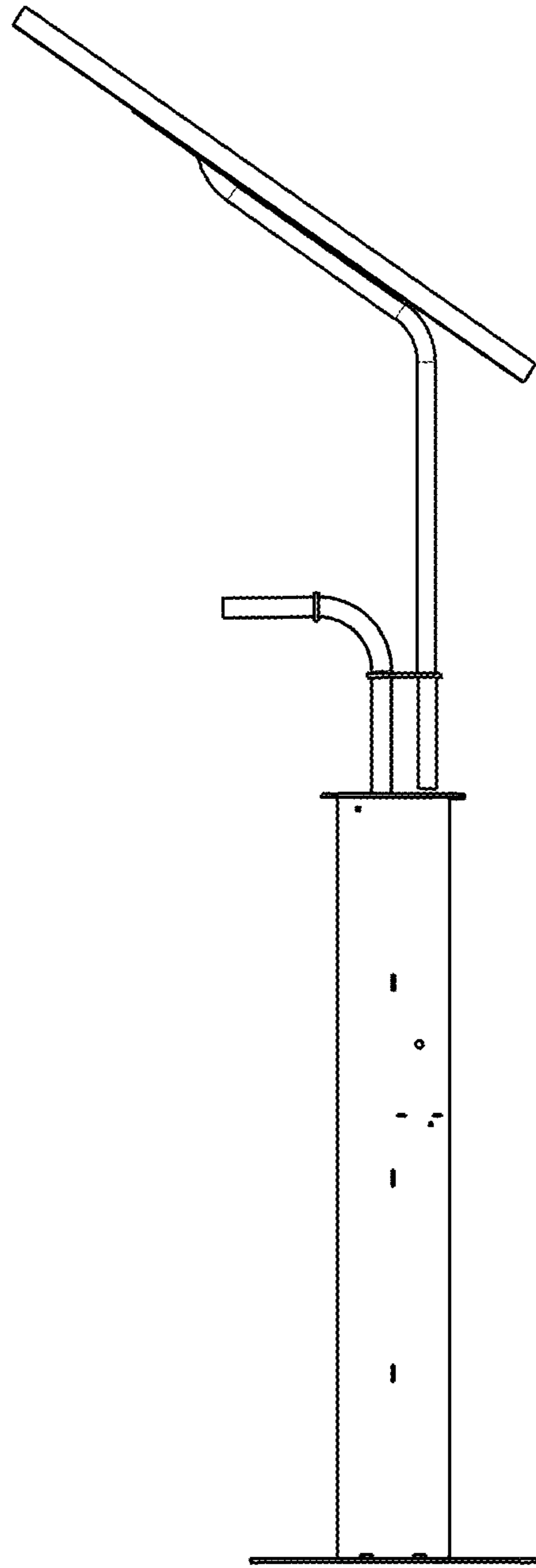


FIG. 3

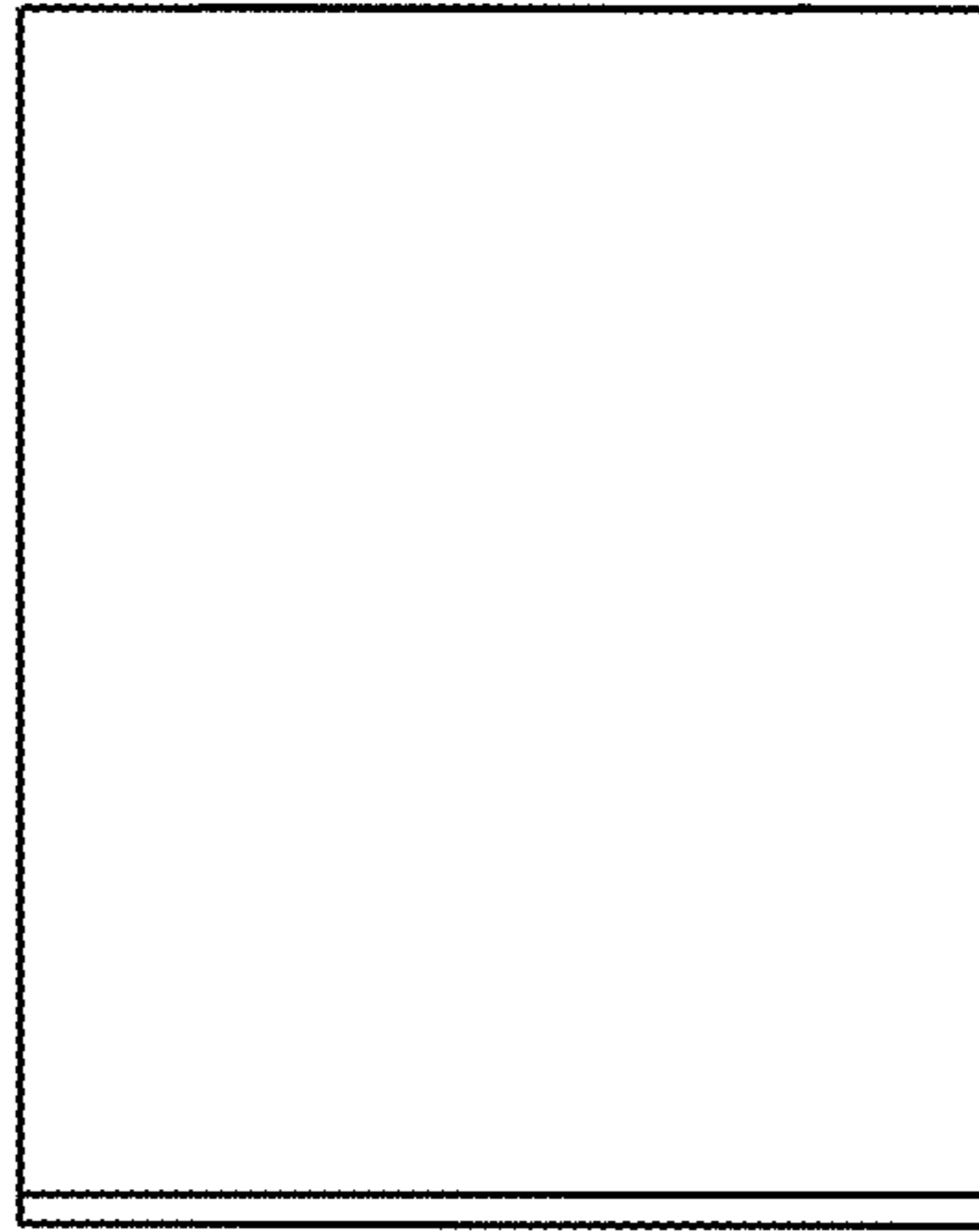


FIG. 5

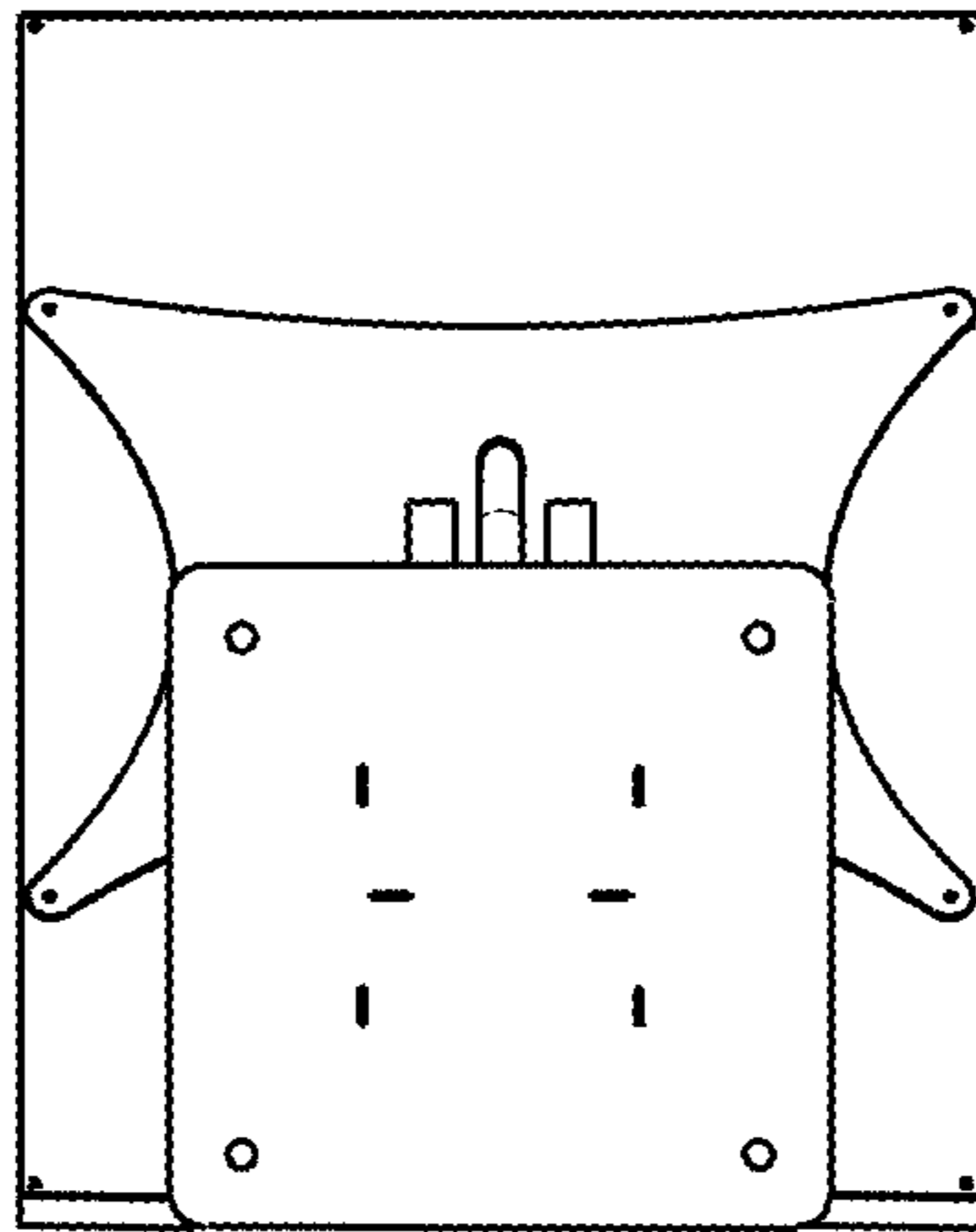


FIG. 6

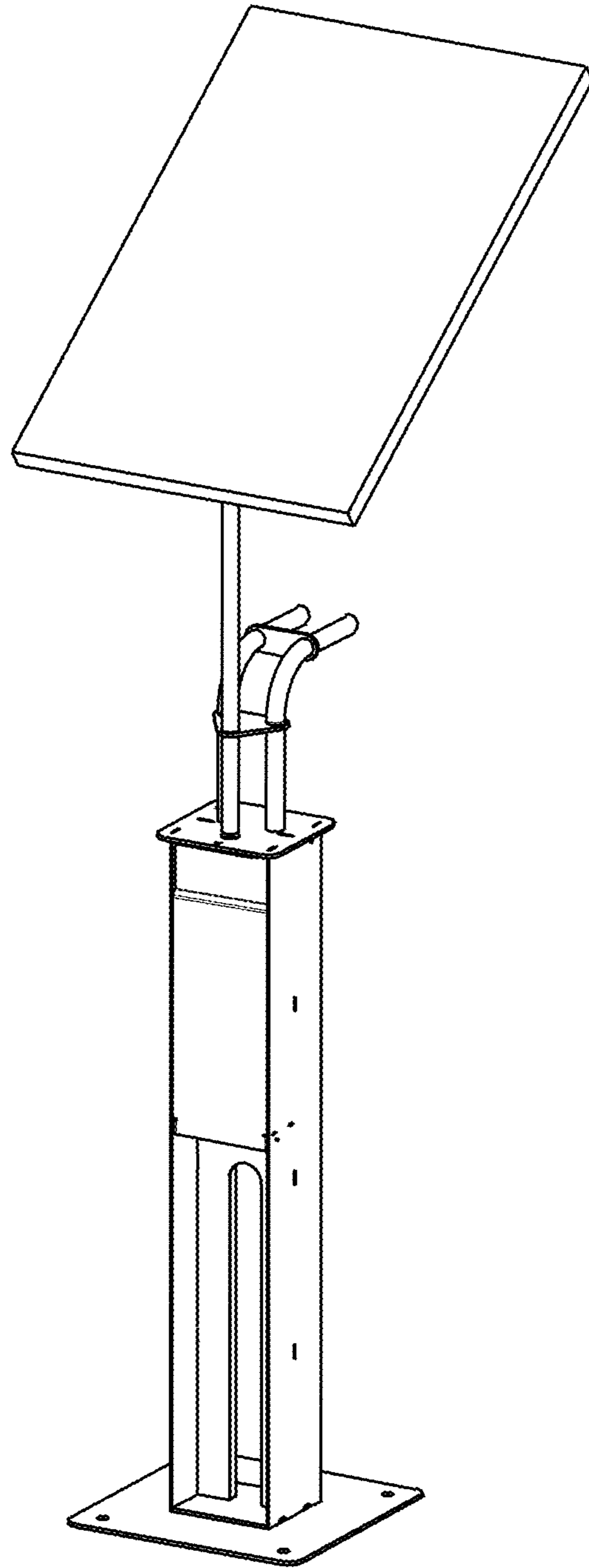


FIG. 7

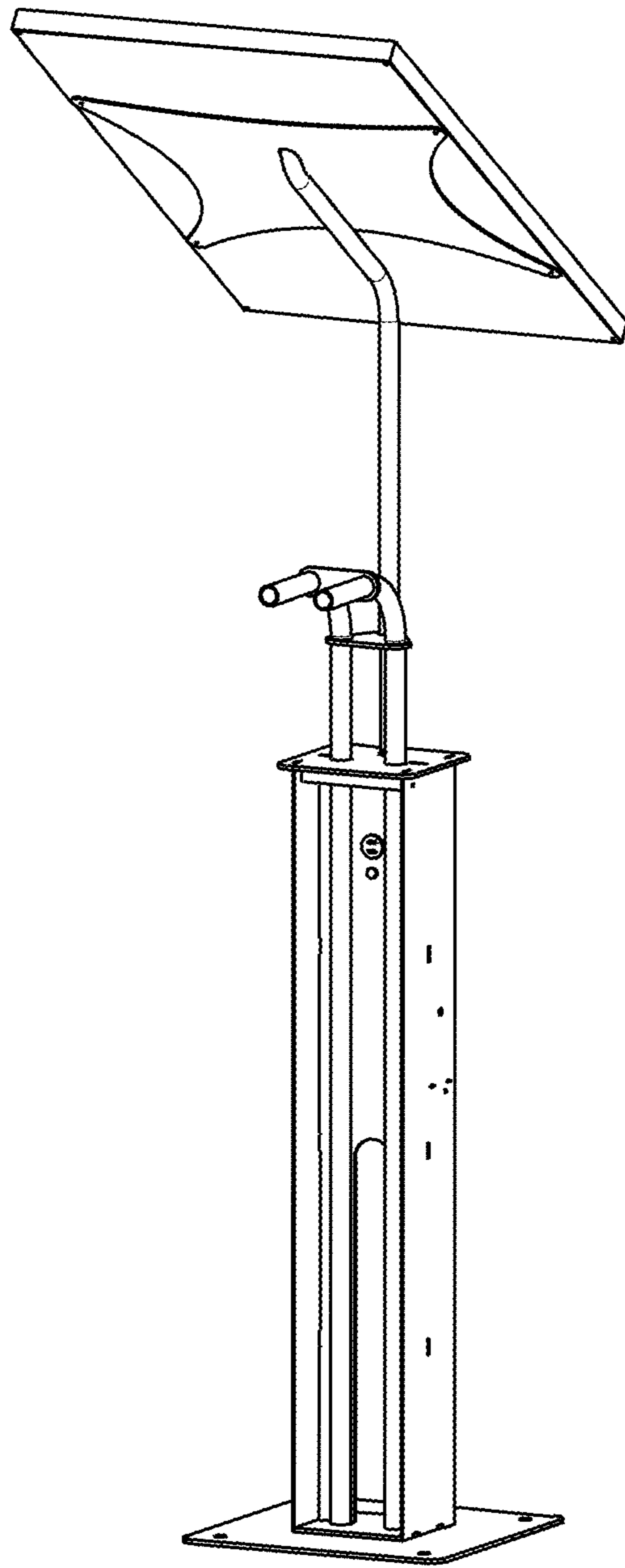


FIG. 8