



US00D953207S

(12) **United States Design Patent**
Zhu et al.

(10) **Patent No.:** **US D953,207 S**
(45) **Date of Patent:** **** May 31, 2022**

(54) **UTILITY TERRAIN VEHICLE**
(71) Applicant: **NINEBOT (BEIJING) TECH. CO., LTD.**, Beijing (CN)
(72) Inventors: **Kun Zhu**, Beijing (CN); **Zhangping Yuan**, Beijing (CN); **Ge Fan**, Beijing (CN); **Jun Zhao**, Beijing (CN); **Mingzeng Luo**, Beijing (CN)

D327,237 S * 6/1992 Miyamoto D12/87
D467,200 S * 12/2002 Luo D12/87
D500,707 S * 1/2005 Lu D12/87
D503,658 S * 4/2005 Lu D12/87
D535,215 S * 1/2007 Turner D12/87
D549,133 S * 8/2007 LePage D12/87
D622,631 S * 8/2010 Lai D12/87
D633,006 S * 2/2011 Sanschagrin D12/1
D640,171 S * 6/2011 Danisi D12/87
D641,288 S * 7/2011 Sun
8,613,335 B2 * 12/2013 Deckard B23P 6/00
180/68.3
D701,469 S * 3/2014 Lai D12/87
D703,102 S * 4/2014 Eck D12/87
D734,689 S * 7/2015 Hashimoto
D737,724 S * 9/2015 Schroeder D12/87

(73) Assignee: **Ninebot (Beijing) Tech. Co., Ltd.**, Beijing (CN)
(**) Term: **15 Years**

(21) Appl. No.: **35/509,808**

(22) Filed: **Mar. 6, 2020**

(80) **Hague Agreement Data**

Int. Filing Date: **Mar. 6, 2020**
Int. Reg. No.: **DM/209130**
Int. Reg. Date: **Mar. 6, 2020**
Int. Reg. Pub. Date: **Jul. 17, 2020**

(30) **Foreign Application Priority Data**

Sep. 6, 2019 (CN) 201930492663.3

(51) **LOC (13) Cl.** **12-11**

(52) **U.S. Cl.**
USPC **D12/107**

(58) **Field of Classification Search**
USPC D12/3, 86, 87, 107, 110
CPC B60K 5/12; B60K 13/04; B60K 17/354
See application file for complete search history.

(56) **References Cited**

U.S. PATENT DOCUMENTS

D300,011 S * 2/1989 Oba D12/87
D301,849 S * 6/1989 Oba D12/87
D312,989 S * 12/1990 Murata D12/87

FOREIGN PATENT DOCUMENTS

CA 141685 S 6/2015
CN 300698423 10/2007

(Continued)

Primary Examiner — Darlington Ly

(74) *Attorney, Agent, or Firm* — Margaret Polson; Polson Intellectual Property Law, PC

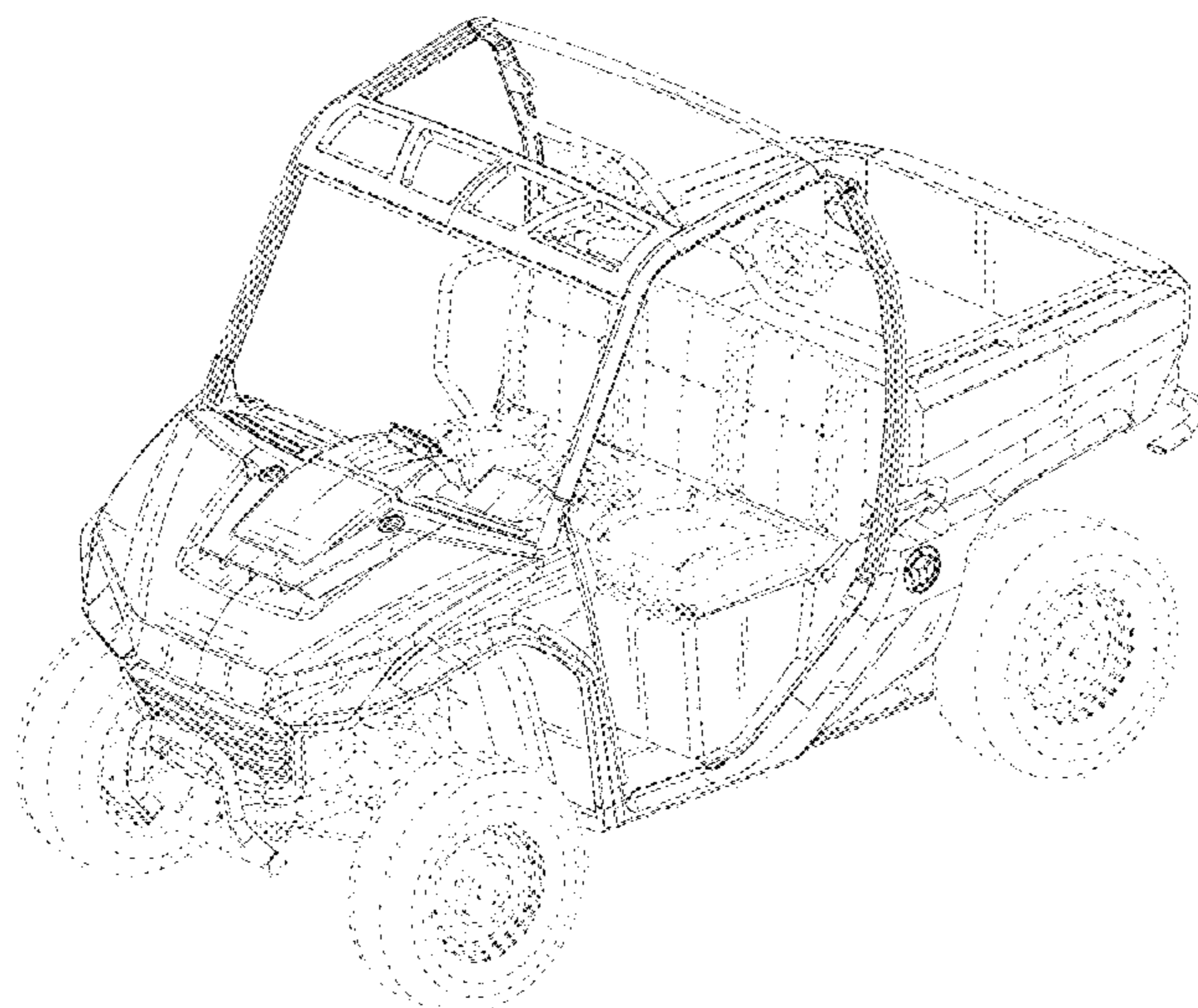
(57) **CLAIM**

The ornamental design for a utility terrain vehicle, as shown and described.

DESCRIPTION

12.1 is a left side elevation view of a utility terrain vehicle embodying our new design;
12.2 is a right side elevation view thereof;
12.3 is a front elevation view thereof;
12.4 is a rear elevation view thereof;
12.5 is a top plan view thereof; and
12.6 is a front and left side perspective view thereof
The broken lines shown in the drawings illustrate portions of the utility terrain vehicle that form no part of the claimed designs.

1 Claim, 6 Drawing Sheets



(56)

References Cited

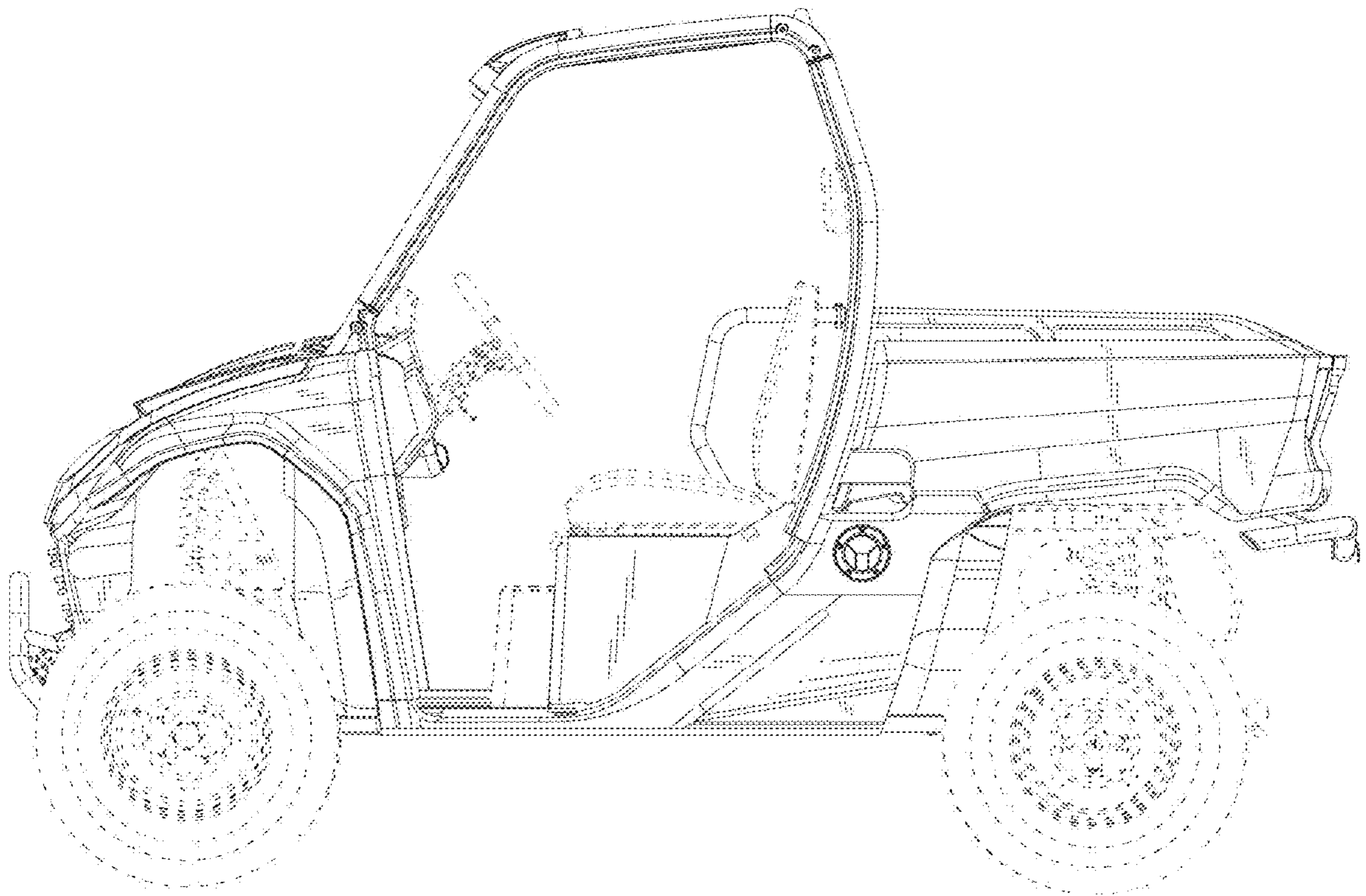
U.S. PATENT DOCUMENTS

9,327,587 B2 * 5/2016 Spindler B60K 5/00
D762,522 S * 8/2016 Kinoshita D12/87
D767,444 S 9/2016 Chun et al.
D772,755 S * 11/2016 Tandrup D12/14
D804,993 S * 12/2017 Eck D12/87
D816,551 S * 5/2018 Leyrikh D12/87

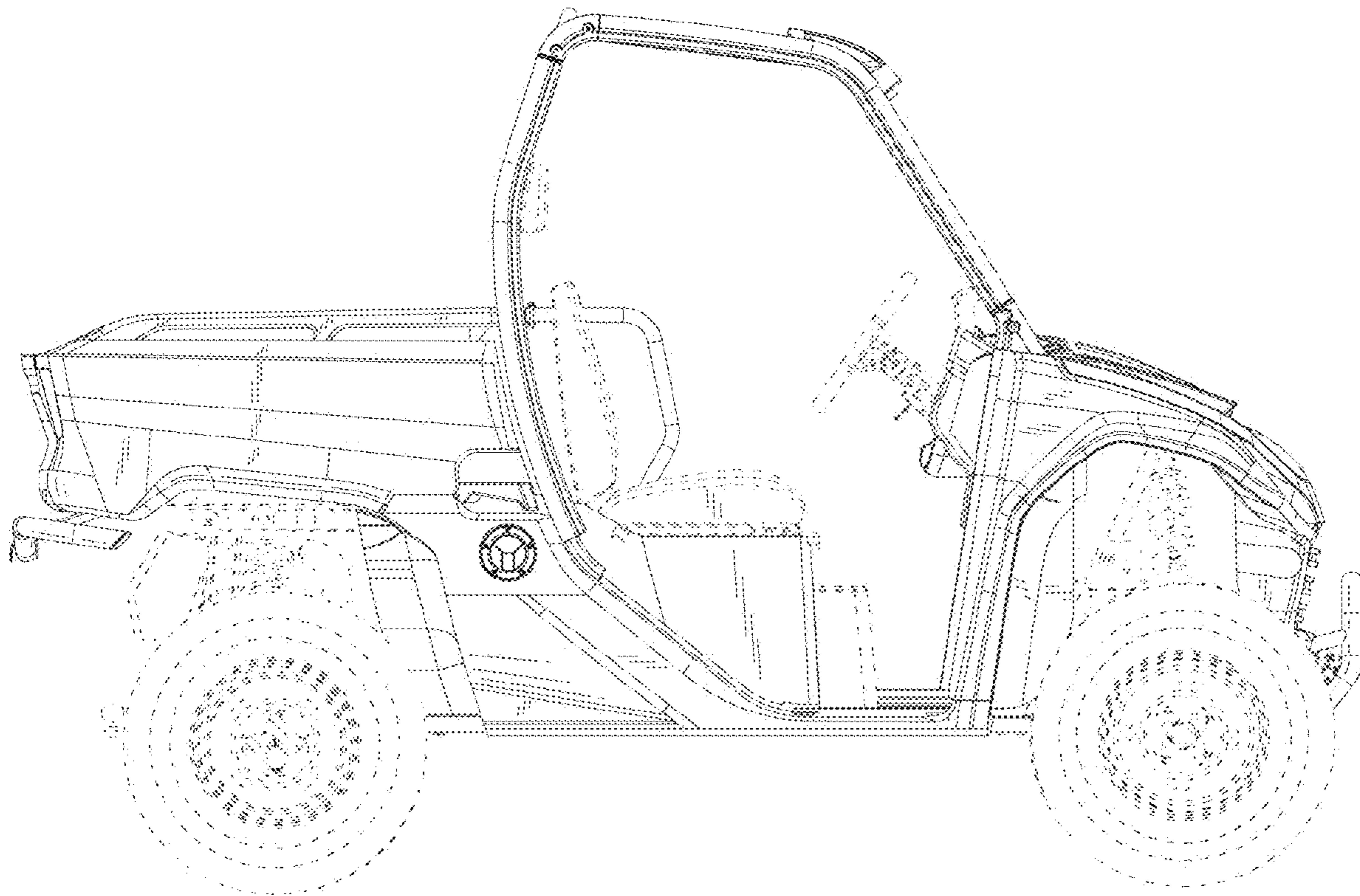
FOREIGN PATENT DOCUMENTS

CN 300790424 6/2008
CN 301061494 11/2009
CN 301275932 S 6/2010
CN 301294404 S 7/2010
CN 302253590 S 12/2012
CN 302475632 S 6/2013
CN 302966587 S 10/2014
CN 303158663 S 4/2015
CN 303572069 S 1/2016
CN 303700512 S 6/2016
CN 303995706 S 1/2017
CN 304117078 S 4/2017
CN 304509068 S 2/2018
JP D1120920 9/2001
JP D1523923 5/2015
JP D1529382 7/2015
KR 30-0918534 8/2017

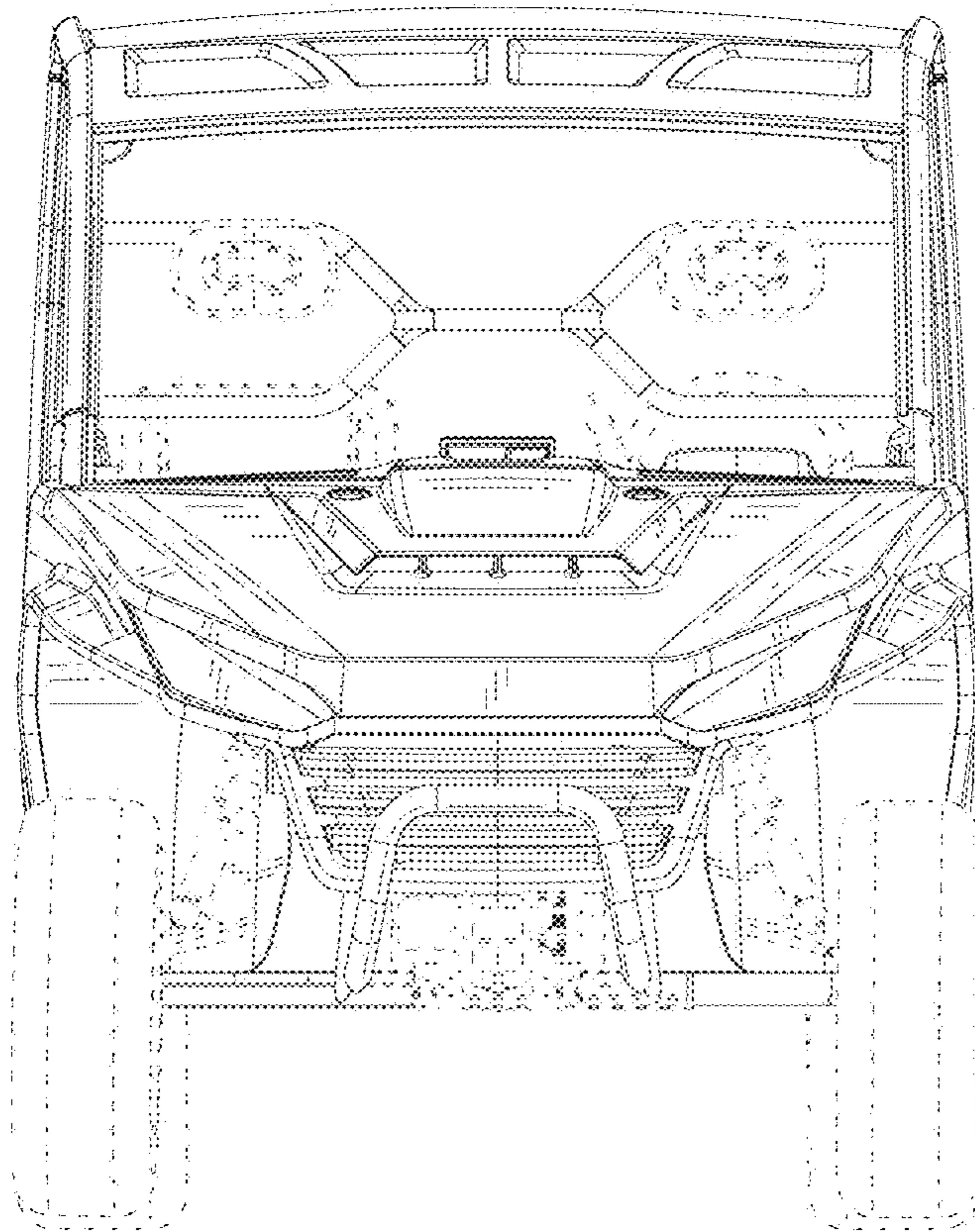
* cited by examiner



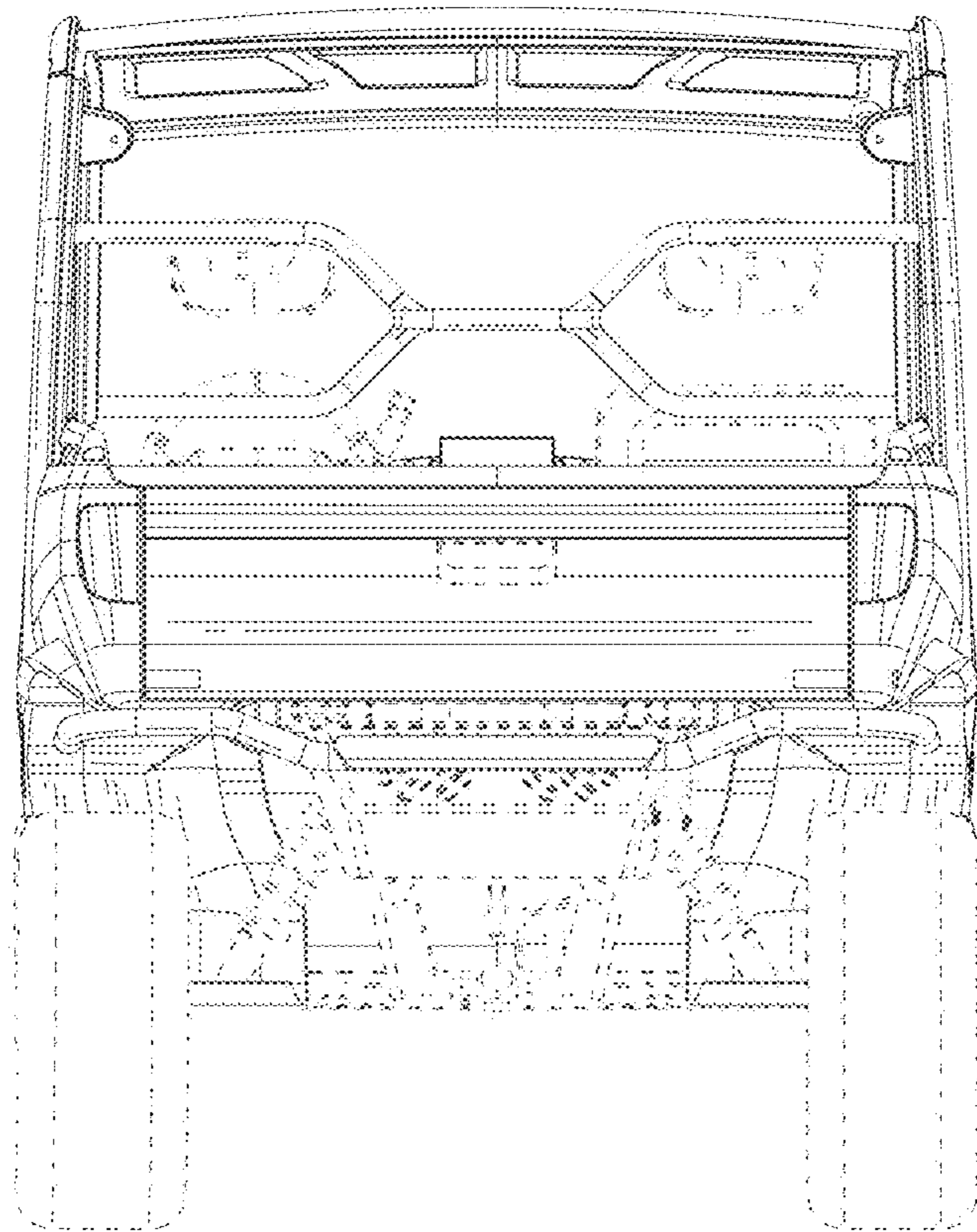
12.1



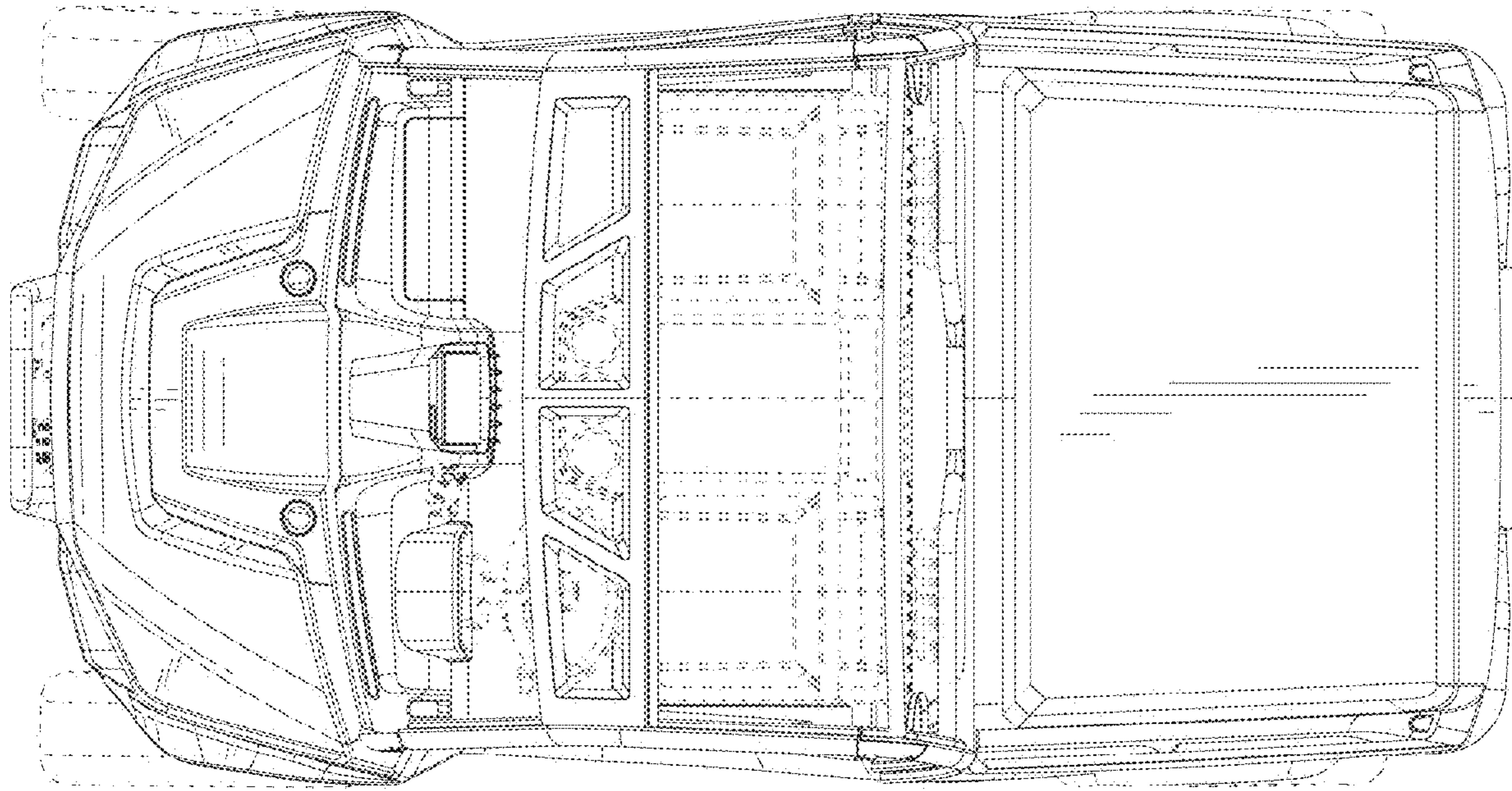
12.2



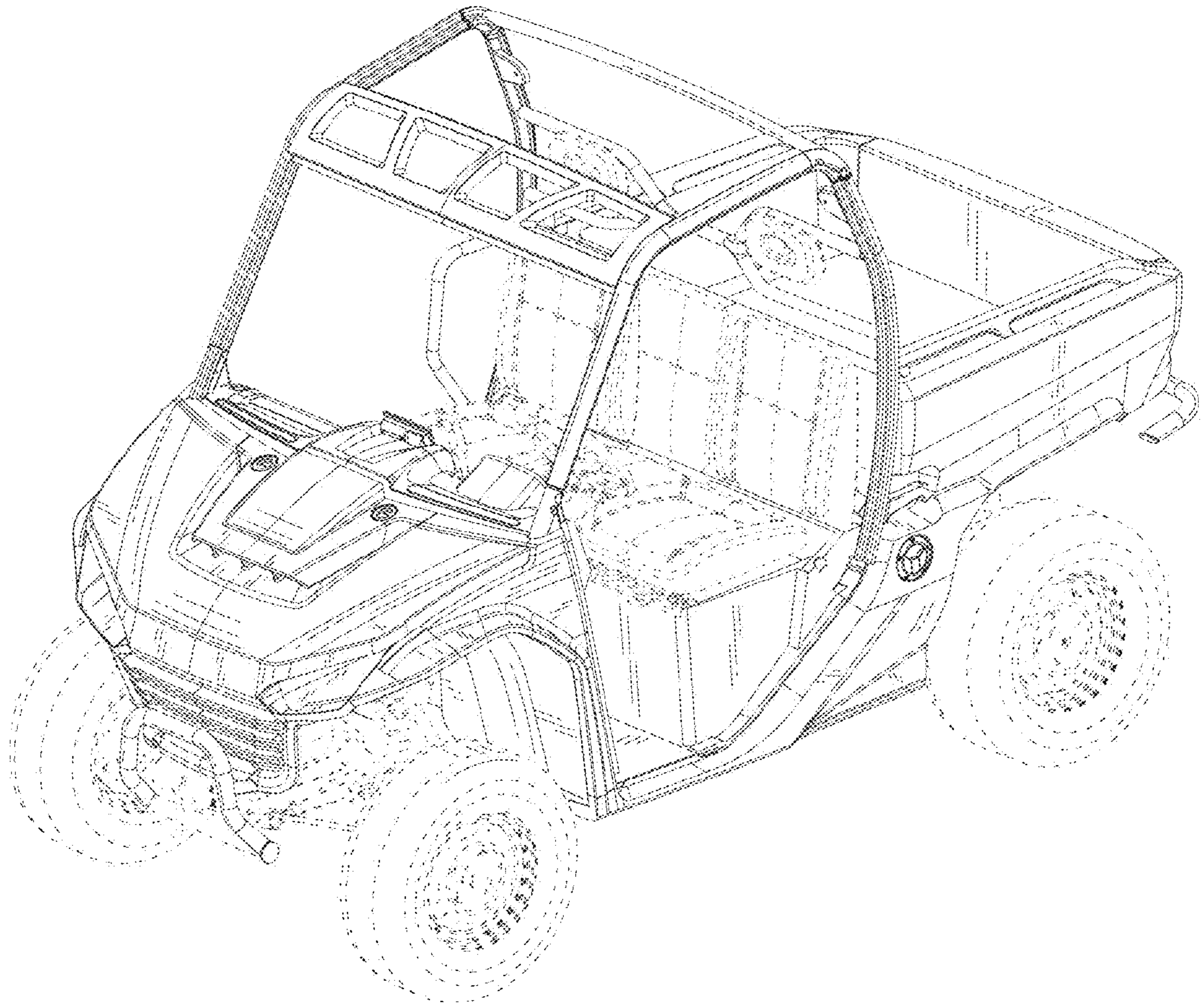
12.3



12.4



12.5



12.6