



US00D953205S

(12) **United States Design Patent** (10) **Patent No.:** **US D953,205 S**  
**Lim** (45) **Date of Patent:** **\*\* May 31, 2022**

(54) **MOTOR VEHICLE, TOY REPLICA, AND/OR OTHER REPLICA**

*Primary Examiner* — Melody N Brown  
(74) *Attorney, Agent, or Firm* — Crowell & Moring LLP

(71) Applicant: **Bayerische Motoren Werke Aktiengesellschaft, Munich (DE)**

(57) **CLAIM**

(72) Inventor: **Seungmo Lim, Munich (DE)**

The ornamental design for a motor vehicle, toy replica and/or other replica, as shown and described.

(73) Assignee: **Bayerische Motoren Werke Aktiengesellschaft, Munich (DE)**

(\*\*) Term: **15 Years**

**DESCRIPTION**

(21) Appl. No.: **29/747,493**

This application contains subject matter related to the following co-pending U.S. design patent applications:

(22) Filed: **Aug. 24, 2020**

Application Ser. No. 29/747,494, filed herewith and entitled "Front Bumper for a Vehicle";

(30) **Foreign Application Priority Data**

Application Ser. No. 29/747,496, filed herewith and entitled "Front Fender for a Vehicle";

Feb. 28, 2020 (DE) ..... 402020100204.6

Application Ser. No. 29/747,497, filed herewith and entitled "Rear Fender for a Vehicle";

(51) **LOC (13) Cl.** ..... **12-08**

Application Ser. No. 29/747,499, filed herewith and entitled "Tailgate for a Vehicle";

(52) **U.S. Cl.**

USPC ..... **D12/92**

Application Ser. No. 29/747,502, filed herewith and entitled "Rear Bumper for a Vehicle";

(58) **Field of Classification Search**

USPC ..... D12/86, 90-92, 164; D21/433, 434, D21/531-535; 296/181.1-181.5, 183.1

Application Ser. No. 29/747,506, filed herewith and entitled "Radiator Grille for a Vehicle";

CPC ..... B62D 25/00; B62D 25/06; B62D 33/00; B62D 35/00

Application Ser. No. 29/747,508, filed herewith and entitled "Fin for a Vehicle"; and

See application file for complete search history.

Application Ser. No. 29/747,509, filed herewith and entitled "Vehicle, Toy, and/or Replicas Thereof".

(56) **References Cited**

FIG. 1 is a left, front perspective view of a motor vehicle, toy replica and/or other replica according to the design;

**U.S. PATENT DOCUMENTS**

FIG. 2 is a left side view thereof;

D860,052 S \* 9/2019 Kezha ..... D12/92

FIG. 3 is a right side view thereof;

D860,054 S \* 9/2019 Kezha ..... D12/92

FIG. 4 is a right, rear perspective view thereof;

D906,180 S \* 12/2020 Guille ..... D12/92

FIG. 5 is a front view thereof;

D928,660 S \* 8/2021 Lim ..... D12/92

FIG. 6 is rear view thereof; and,

D928,661 S \* 8/2021 Lim ..... D12/92

FIG. 7 is a top view thereof.

D928,662 S \* 8/2021 Lim ..... D12/92

\* cited by examiner

**1 Claim, 7 Drawing Sheets**





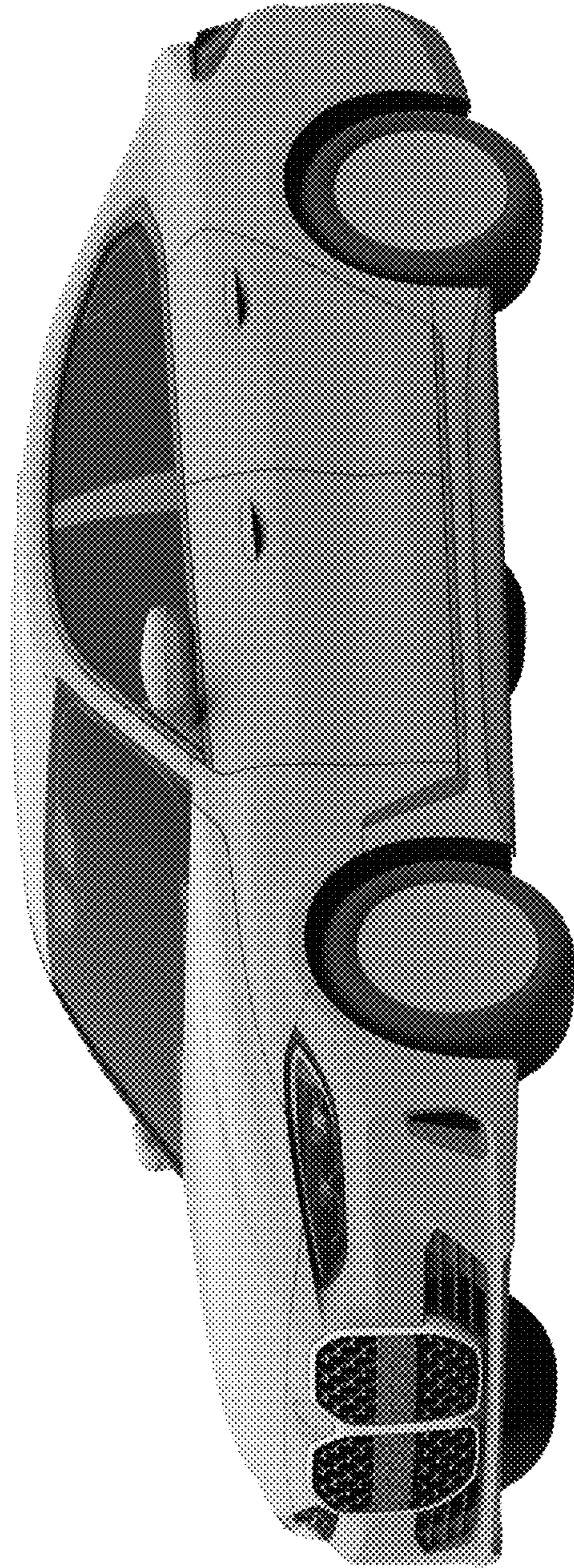


Fig. 1



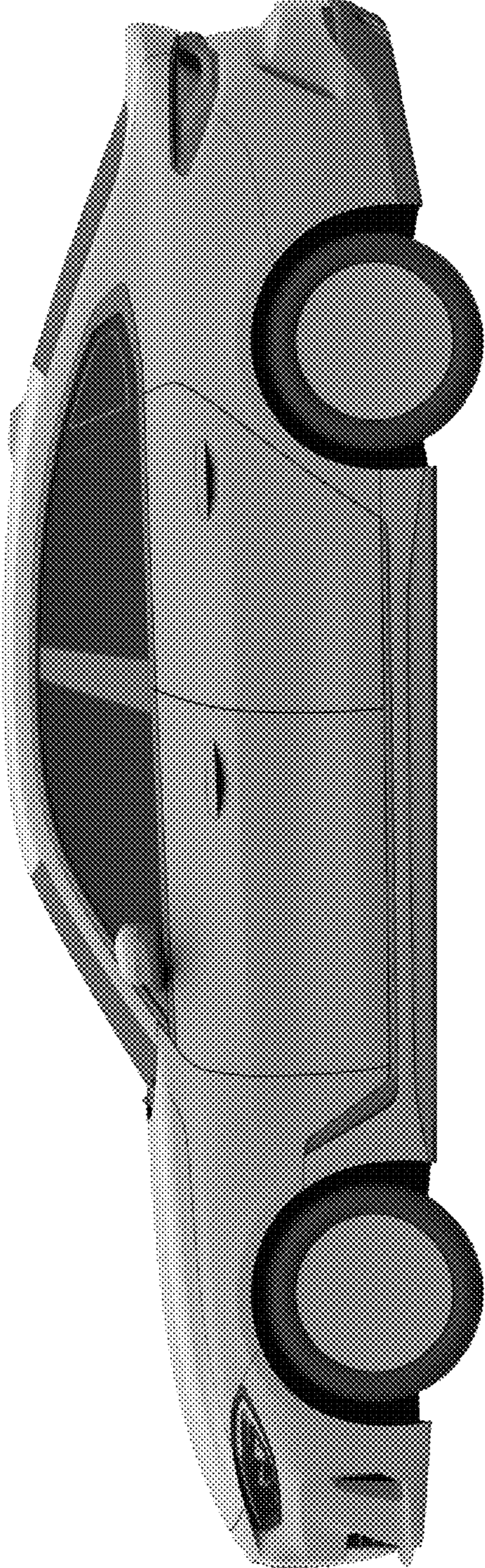


Fig. 2



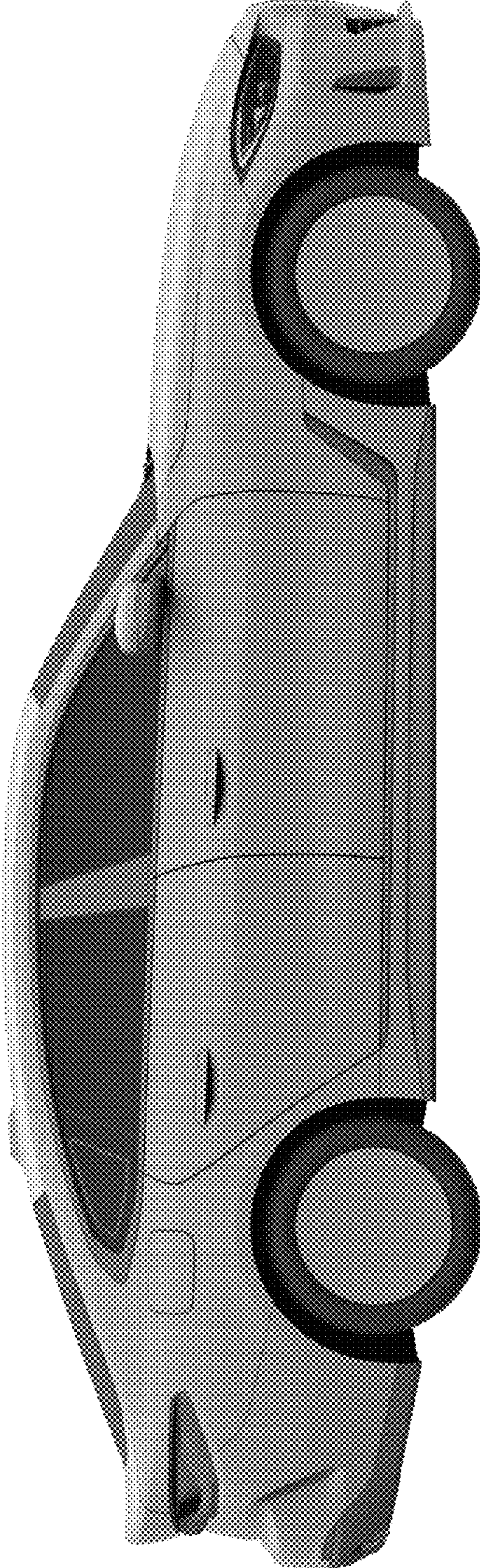


Fig. 3



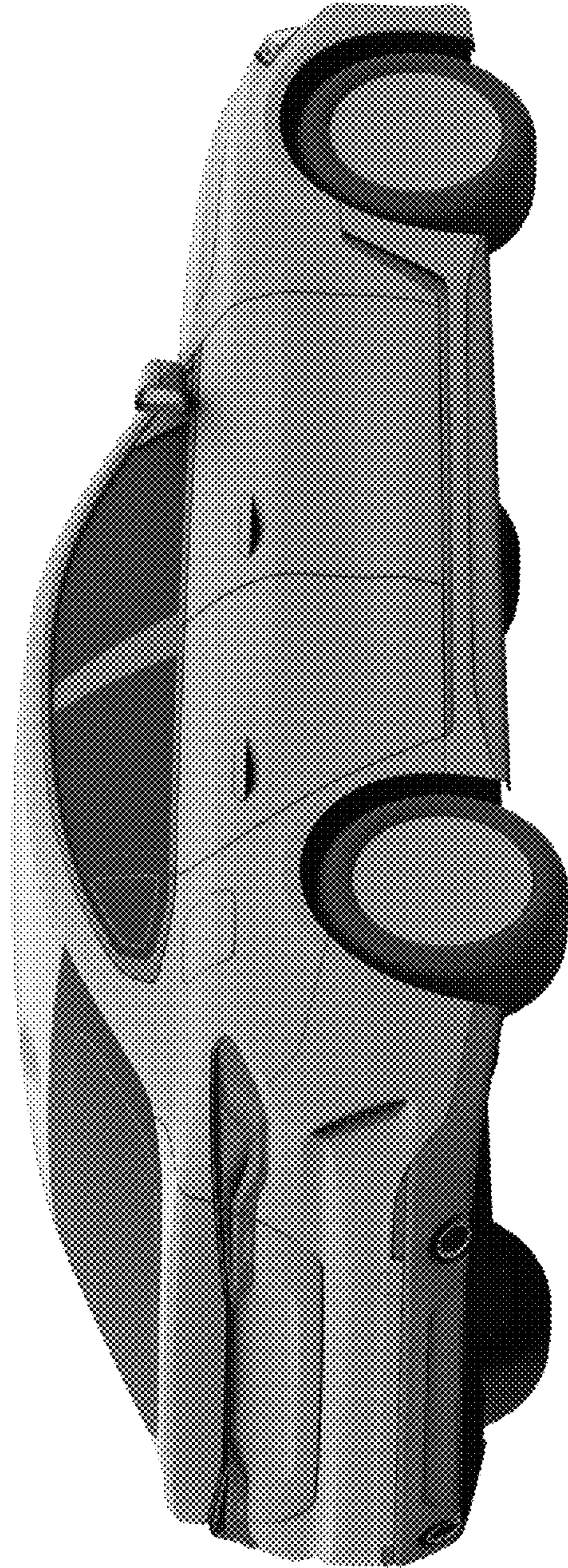


Fig. 4

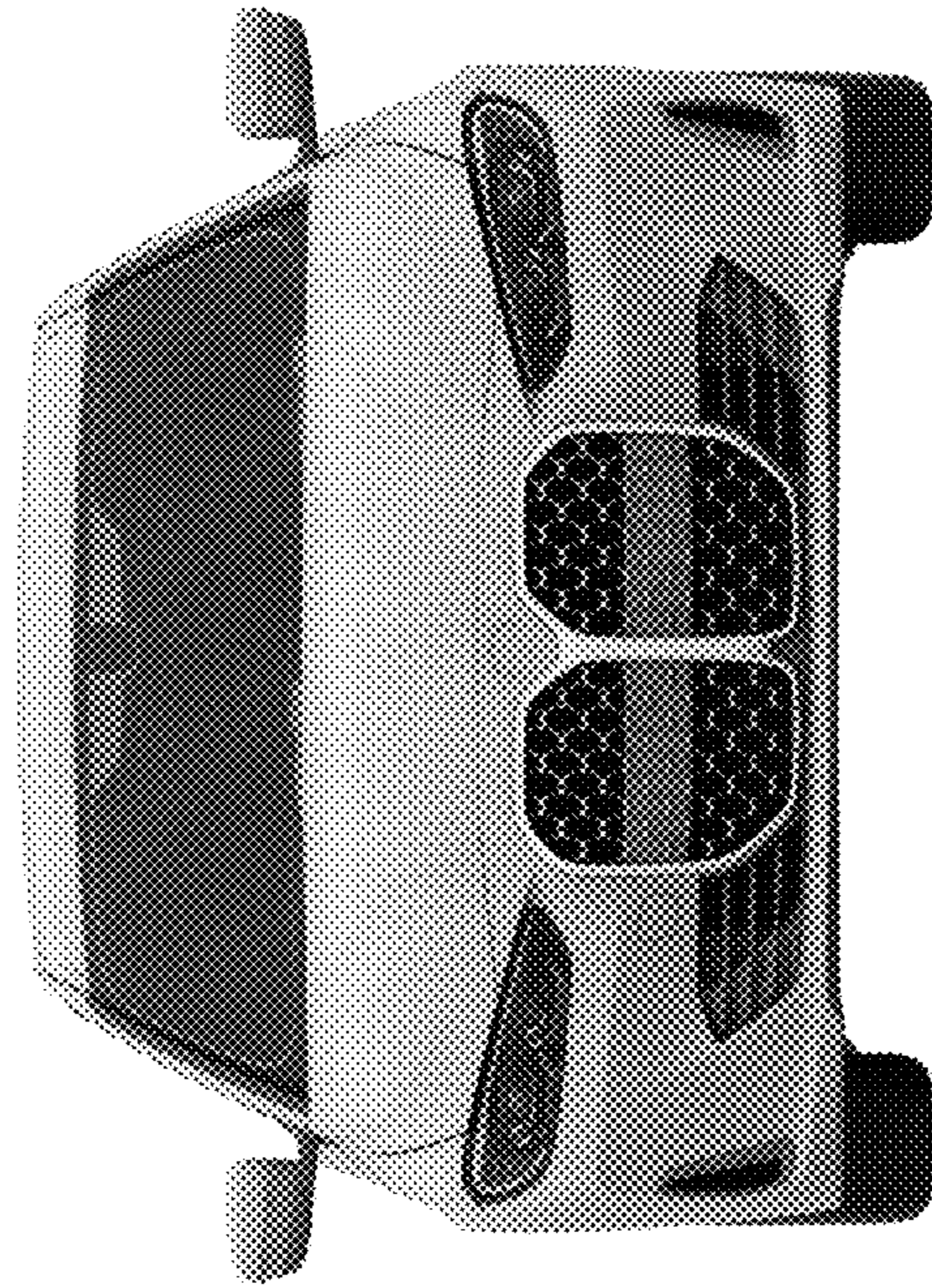


Fig. 5



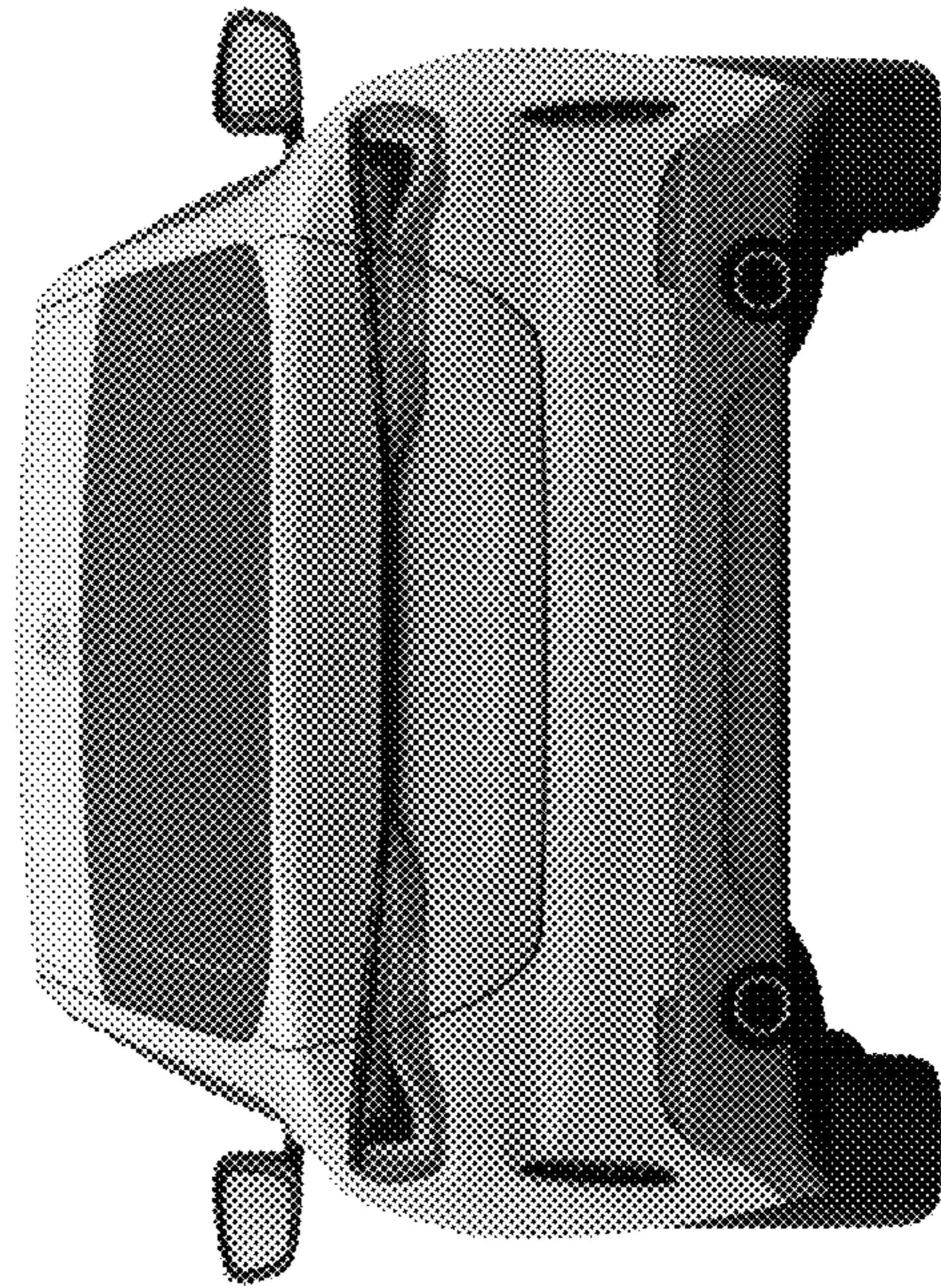


Fig. 6





Fig. 7