



US00D953204S

(12) **United States Design Patent** (10) **Patent No.:** **US D953,204 S**
Kim et al. (45) **Date of Patent:** **** May 31, 2022**

(54) **VEHICLE**
(71) Applicant: **Canoo Technologies Inc.**, Torrance, CA (US)
(72) Inventors: **Richard Kim**, Los Angeles, CA (US); **Brian Oh**, Rancho Palos Verdes, CA (US); **Jackson E. Luttig**, Rancho Palos Verdes, CA (US); **Brian Spencer**, Lakewood, CA (US); **Sagar Shrivastava**, San Pedro, CA (US); **Calvin Liu**, Torrance, CA (US)

D457,467 S 5/2002 Shimizu
D800,017 S 10/2017 Sapet
D832,742 S 11/2018 Fisker
D839,784 S 2/2019 Sugawara et al.
D860,862 S 9/2019 Janin
D875,185 S 2/2020 Zeng
10,769,940 B2 9/2020 Hur
10,821,776 B1 11/2020 Labadie et al.
10,829,145 B2 11/2020 Washnock et al.
10,870,361 B2 12/2020 Hara et al.
D914,541 S * 3/2021 Kentley-Klay D12/86
(Continued)

(73) Assignee: **Canoo Technologies Inc.**, Torrance, CA (US)
(**) Term: **15 Years**
(21) Appl. No.: **29/804,202**
(22) Filed: **Aug. 18, 2021**

OTHER PUBLICATIONS
Autonomous vehicles. (Design—© Questel) orbit.com. [Online PDF compilation of references] 110 pgs. Print Dates Range Mar. 11, 2021-Jun. 15, 2016 [Retrieved Jan. 6, 2022].*
Canoo won't let you buy the EVs they're developing for 2021 and beyond. Sep. 25, 2019. Green Car Reports, https://www.greencarreports.com/news/1125207_canoo-won-t-let-you-buy-the-evs-they-re-developing-for-2021-and-beyond.*
Can Canoo can do. Jul. 8, 2021. Just Auto. <https://www.just-auto.com/features/can-canoo-can-do/>.*

Related U.S. Application Data

(62) Division of application No. 29/706,601, filed on Sep. 20, 2019, now Pat. No. Des. 941,203.
(51) **LOC (13) Cl.** **12-02**
(52) **U.S. Cl.**
USPC **D12/86**
(58) **Field of Classification Search**
USPC D12/1, 14, 82, 86, 93-100; D21/533, D21/552-560
CPC B60F 3/0061; B62D 35/00; B62D 33/00; B62D 25/00; B62D 25/06; B62D 33/06; B62D 33/0607; B62D 33/0621; B62D 33/0625; B62D 39/00; B62D 49/005; B62D 49/007
See application file for complete search history.

(Continued)
Primary Examiner — Manpreet S Matharu
Assistant Examiner — Suzanne E Tisdell

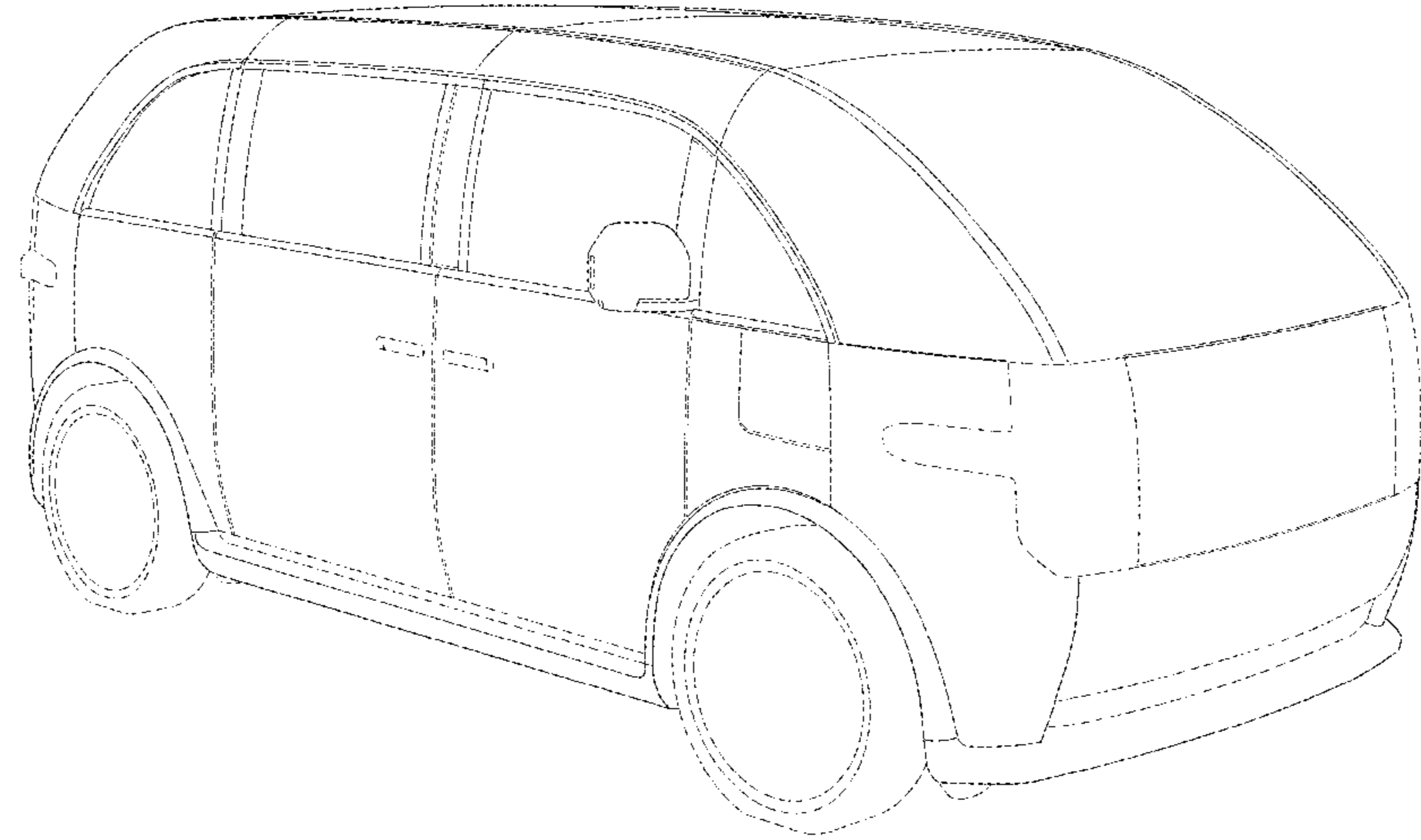
(57) **CLAIM**
The ornamental design for a vehicle body, as shown and described.

DESCRIPTION

FIG. 1 is a perspective view of a vehicle body, according to an embodiment of the invention.
FIG. 2 is a front view thereof.
FIG. 3 is a rear view thereof.
FIG. 4 is a left side view thereof; and,
FIG. 5 is a top view thereof.
Mirror images of side views that are not shown are within the scope of the claimed design though not illustrated.
Features shown in broken lines do not form part of the claimed design.

(56) **References Cited**
U.S. PATENT DOCUMENTS
D238,799 S 2/1976 Goldfarb et al.
D262,391 S 12/1981 Kanaoki
D274,637 S 7/1984 Terui et al.

1 Claim, 5 Drawing Sheets



(56)

References Cited

U.S. PATENT DOCUMENTS

10,951,044	B2	3/2021	Choi et al.	
10,959,892	B2	3/2021	Yamada et al.	
10,974,582	B2	4/2021	Hara	
10,983,199	B2	4/2021	Adams et al.	
D918,771	S *	5/2021	Bouzige	D12/86
D920,162	S *	5/2021	Iida	D12/86
D923,518	S *	6/2021	Lian	D12/93
11,034,254	B2	6/2021	Booth et al.	
11,040,609	B2	6/2021	Hara et al.	
D926,085	S *	7/2021	von Holzhausen	D12/93
D928,035	S *	8/2021	Bouzige	D12/86
D929,899	S *	9/2021	Hirata	D12/90
D930,505	S *	9/2021	Mei	D12/86
D932,368	S *	10/2021	Shih	D12/1
D932,943	S *	10/2021	Bouzige	D12/91
D934,116	S *	10/2021	Janin	D12/86
D935,350	S *	11/2021	Julian	D12/86
D937,120	S *	11/2021	Wu	D12/86

OTHER PUBLICATIONS

BlackBerry finds another automotive partner in electric vehicle startup Canoo. Jul. 28, 2020. Tech Republic, <https://www.techrepublic.com/article/blackberry-finds-another-automotive-partner-in-electric-vehicle-startup-canoo/>. *

Electric Vehicle. (Design—© Questel) orbit.com. [Online PDF compilation of references] 49 pgs. Print Dates Range Jan. 20, 2021-Mar. 28, 2019 [Retrieved Jun. 29, 2021].

Reynolds, Kim. “The Canoo Electric Car: 6 Thoughts After Visiting the EV Startup.” Aug. 17, 2019. Motor Trend. <https://www.motortrend.com/news/canoo-electric-car -6-thoug hts-ev-startup/>.

Abuelsamid, Sam. “Introducing Canoo, No Paddles Required for This Electric Van.” Sep. 24, 2019. Forbes. <https://www.forbes.com/sites/samabuelsamid/2019/09/24/introducing-canoo-no-paddles-required-for-this-electric-van/sh =3a231b27641 d>.

OKane, Sean. “Canoos First Subscription-Only EV is a Refereshing Rethink of the VW Microbus.” Sep. 24, 2019. The Verge. <https://www.theverge.com/2019/9/24/20882538/canoo-evelozcity-ev-subscrption-electric-vehicle>.

* cited by examiner

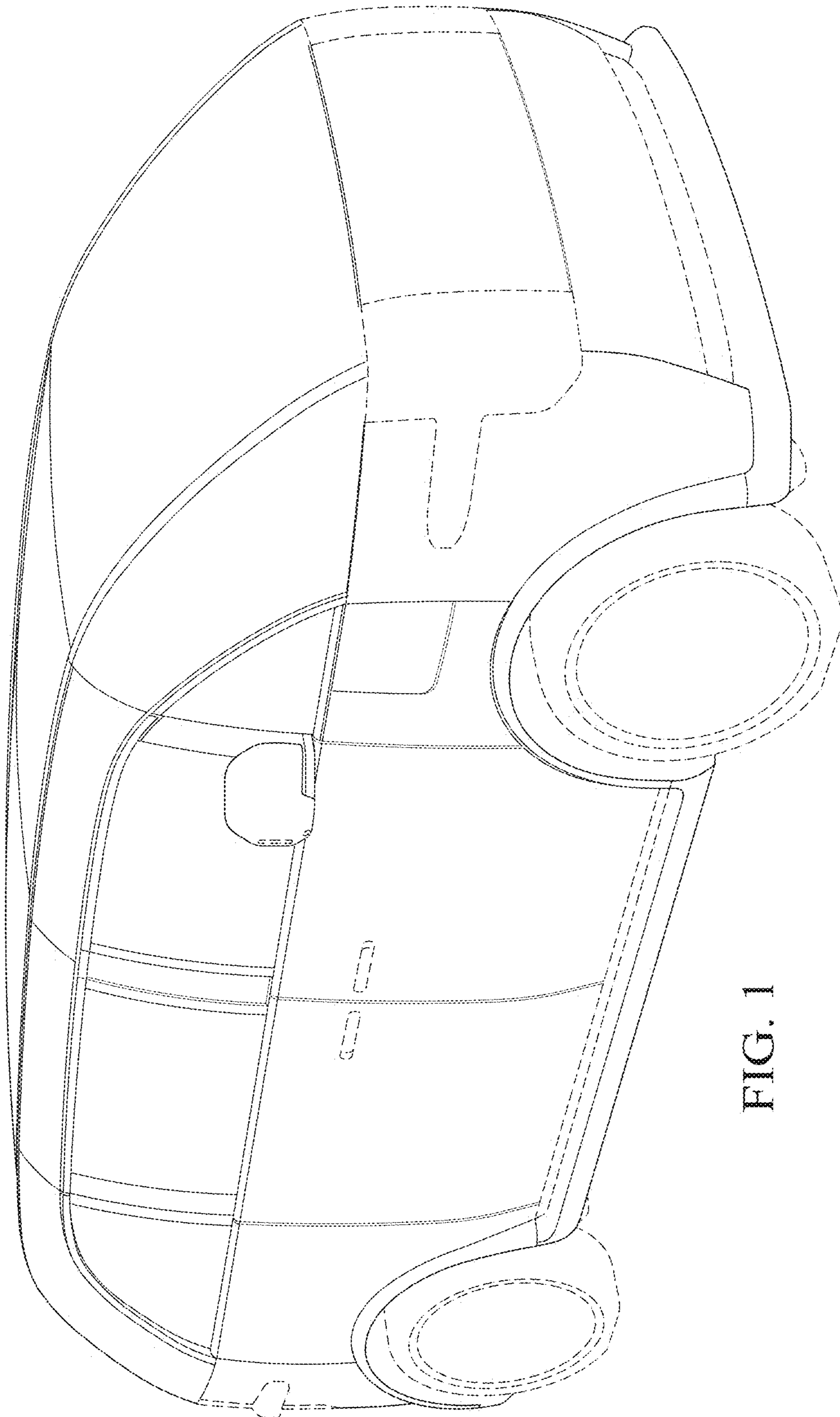


FIG. 1

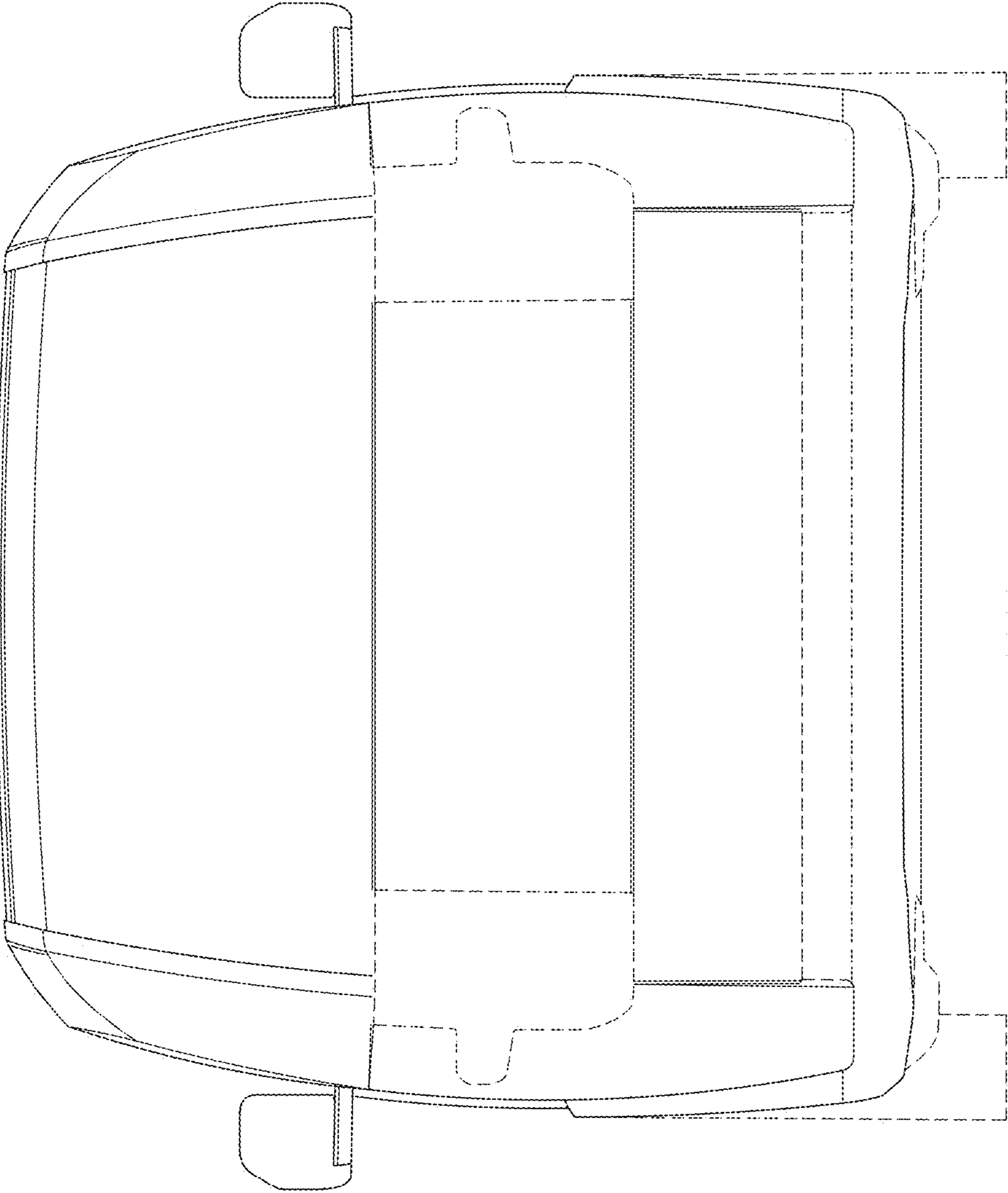


FIG. 2

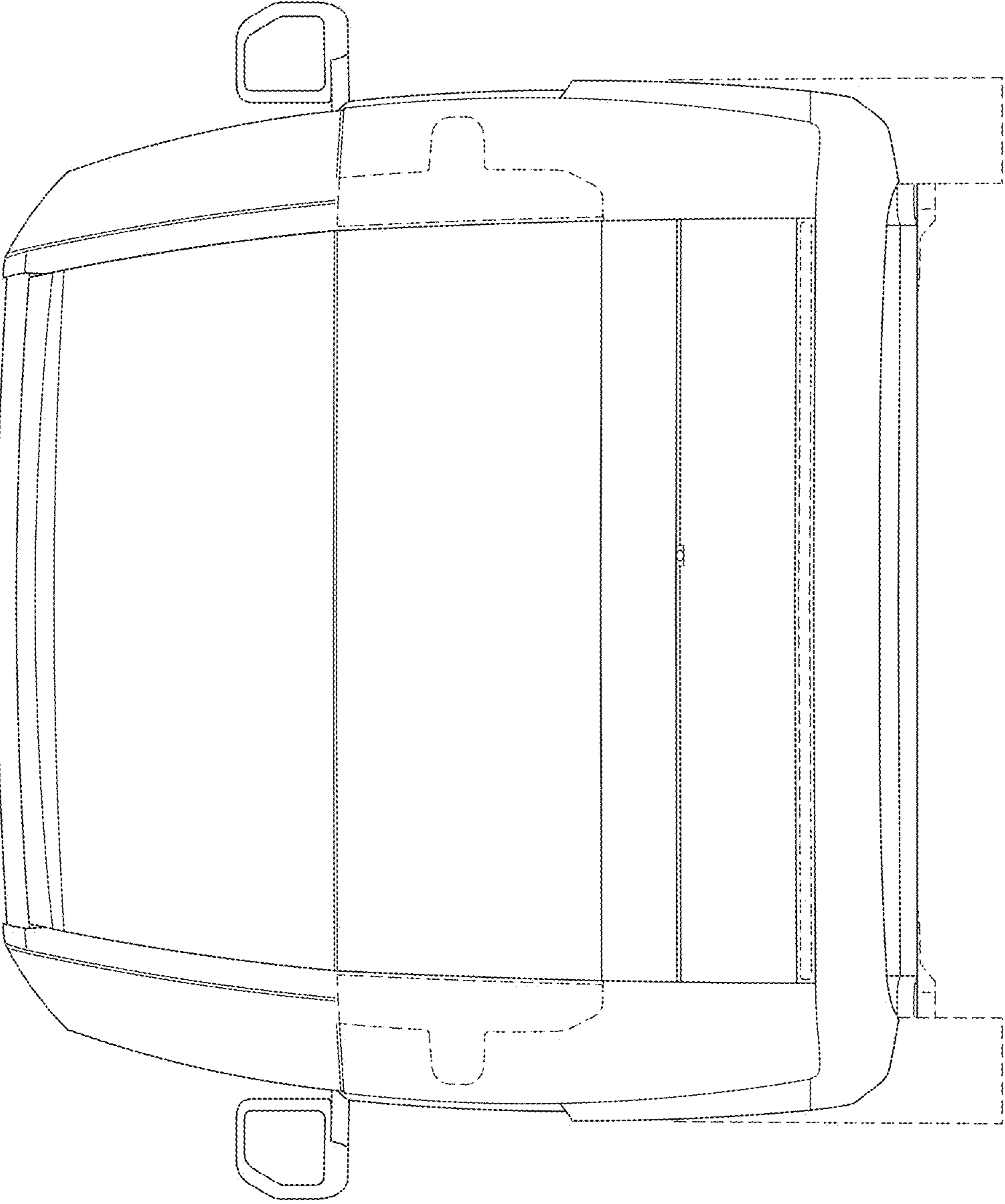


FIG. 3

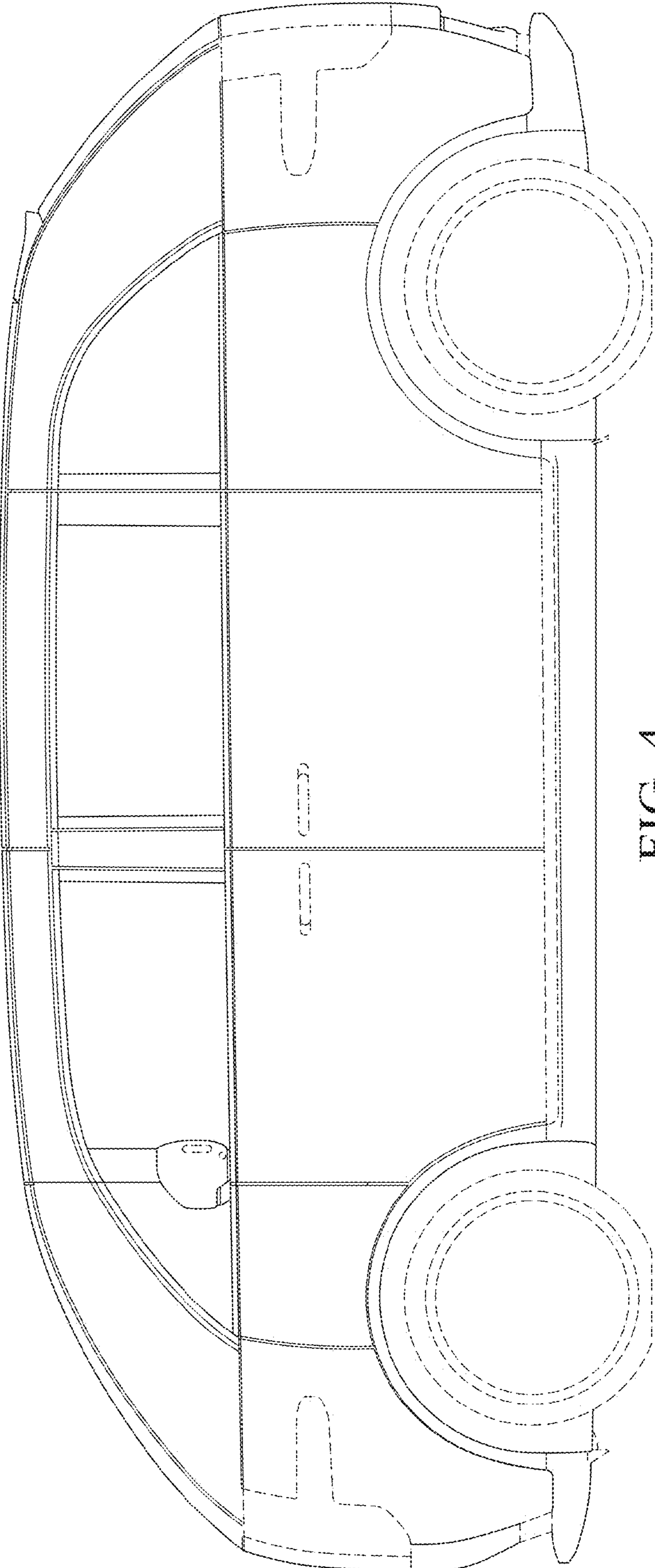


FIG. 4

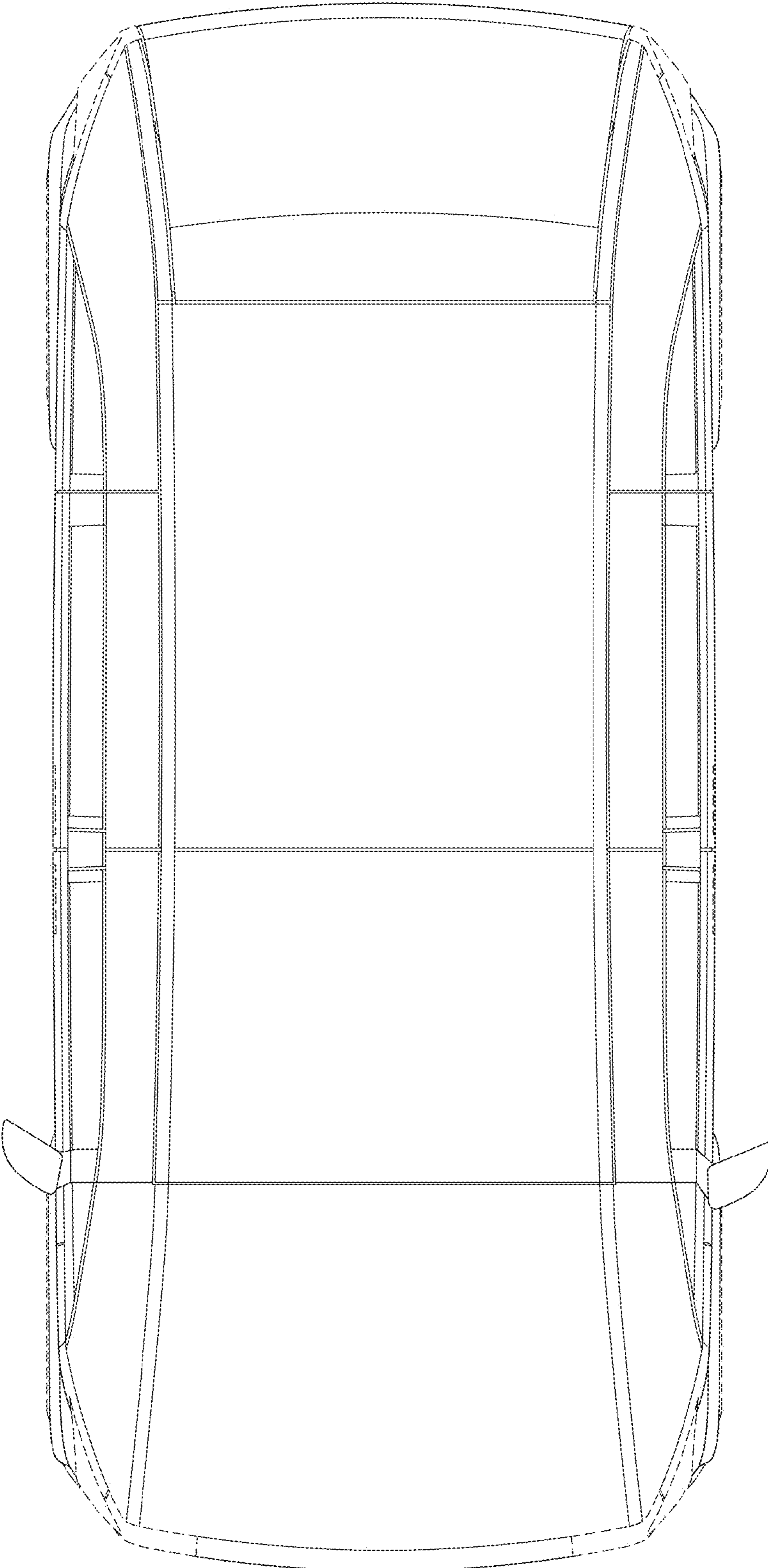


FIG. 5