



US00D953201S

(12) **United States Design Patent**
Costier et al.

(10) **Patent No.:** **US D953,201 S**
(45) **Date of Patent:** **** May 31, 2022**

(54) **DRONE**
(71) Applicant: **PARROT DRONES**, Paris (FR)
(72) Inventors: **Olivier Costier**, Suresnes (FR);
Thierry Sanlaville, Paris (FR);
Dhylene Nguyen, Paris (FR); **Maxime Ducloux**, Paris (FR); **Thomas Barse**, Paris (FR); **Antoine Mathieu**, Paris (FR)

(**) Term: **15 Years**

(21) Appl. No.: **35/510,421**

(22) Filed: **Jun. 18, 2020**

(80) **Hague Agreement Data**

Int. Filing Date: **Jun. 18, 2020**
Int. Reg. No.: **DM/210298**
Int. Reg. Date: **Jun. 18, 2020**
Int. Reg. Pub. Date: **Sep. 25, 2020**

(30) **Foreign Application Priority Data**

Jun. 15, 2020 (EM) 008003842-0001
Jun. 15, 2020 (EM) 008003842-0002

(51) **LOC (13) Cl.** **12-07**

(52) **U.S. Cl.**
USPC **D12/16.1**
CPC **B64C 27/50** (2013.01)

(58) **Field of Classification Search**
USPC D12/16.1, 19, 319-345; D21/436-453
CPC A63H 27/007; A63H 27/12; B64C 1/063;
B64C 27/50; B64C 39/024; B64C 1/30;
B64C 2201/024; B64C 2201/20
See application file for complete search history.

(56) **References Cited**

U.S. PATENT DOCUMENTS

D648,809 S * 11/2011 Seydoux D21/441
D659,771 S * 5/2012 Seydoux D21/441

D691,514 S * 10/2013 Wang D12/16.1
D708,272 S * 7/2014 Schmelter D21/441
D710,454 S * 8/2014 Barajas D21/442
D741,751 S * 10/2015 Klaptocz D12/16.1
D745,435 S * 12/2015 Park D12/16.1
D772,991 S * 11/2016 Caubel D21/441
D819,749 S * 6/2018 Caubel D21/449
D830,946 S * 10/2018 Matus D12/328
D849,154 S * 5/2019 Zhao D21/436
D853,312 S * 7/2019 Gao D12/345
D856,848 S * 8/2019 Kim D12/16.1
D857,105 S * 8/2019 Zhang D21/441
D860,048 S * 9/2019 Caubel D12/16.1
D873,175 S * 1/2020 Li D12/16.1
D874,338 S * 2/2020 Zhao D12/16.1
D881,067 S * 4/2020 Zhou D12/16.1
D882,460 S * 4/2020 Chen D12/16.1
D883,140 S * 5/2020 Chen D12/16.1

(Continued)

Primary Examiner — Richard E Chilcot

(57) **CLAIM**

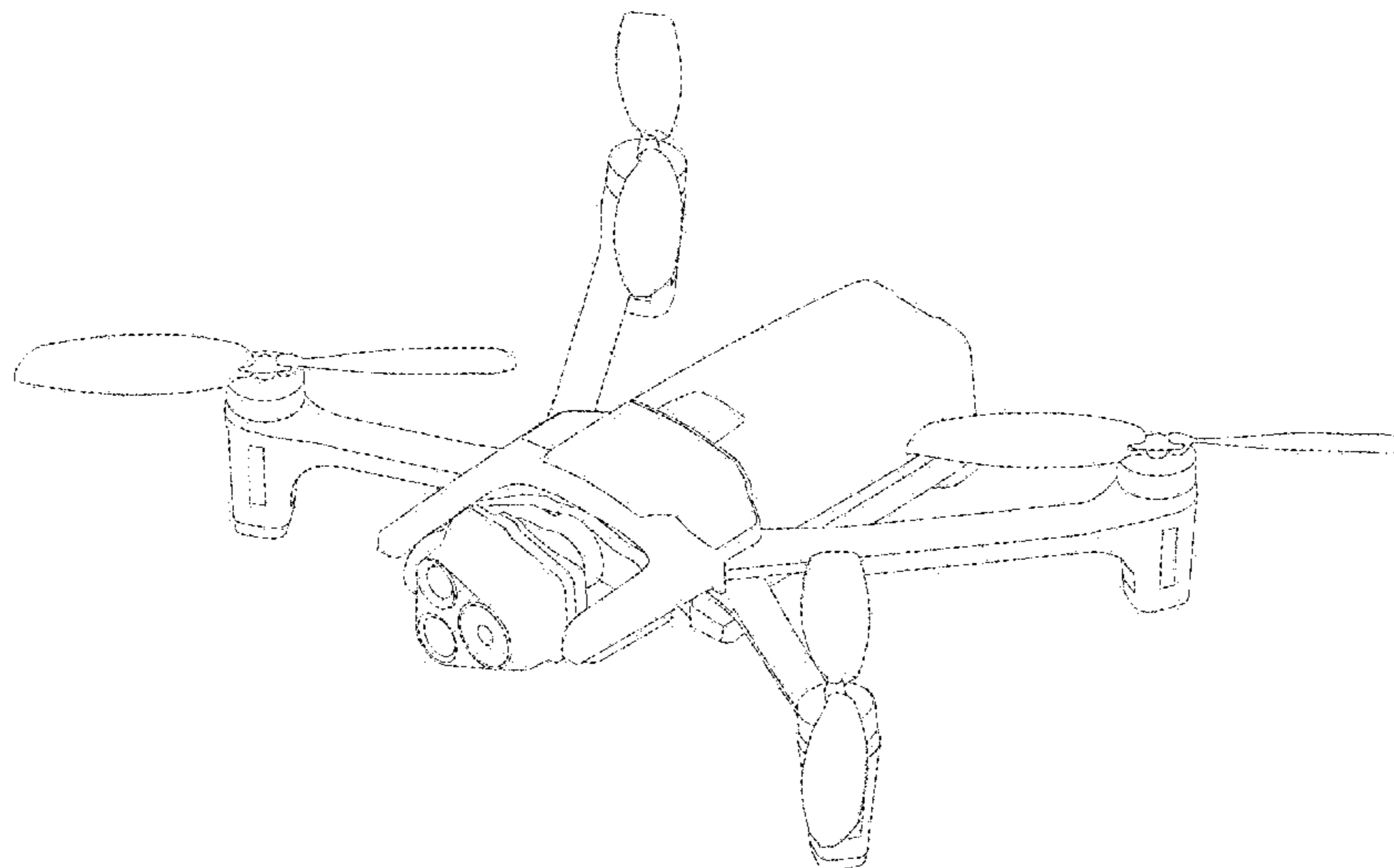
The ornamental design for a drone, as shown and described.

DESCRIPTION

- 1.-2. Drone
- 1.1 : Front
- 1.2 : Back
- 1.3 : Left
- 1.4 : Right
- 1.5 : Top
- 1.6 : Bottom
- 1.7 : Perspective
- 2.1 : Front
- 2.2 : Back
- 2.3 : Left
- 2.4 : Right
- 2.5 : Top
- 2.6 : Bottom
- 2.7 : Perspective

The second design corresponds to the closed-position version of design 1.

1 Claim, 14 Drawing Sheets



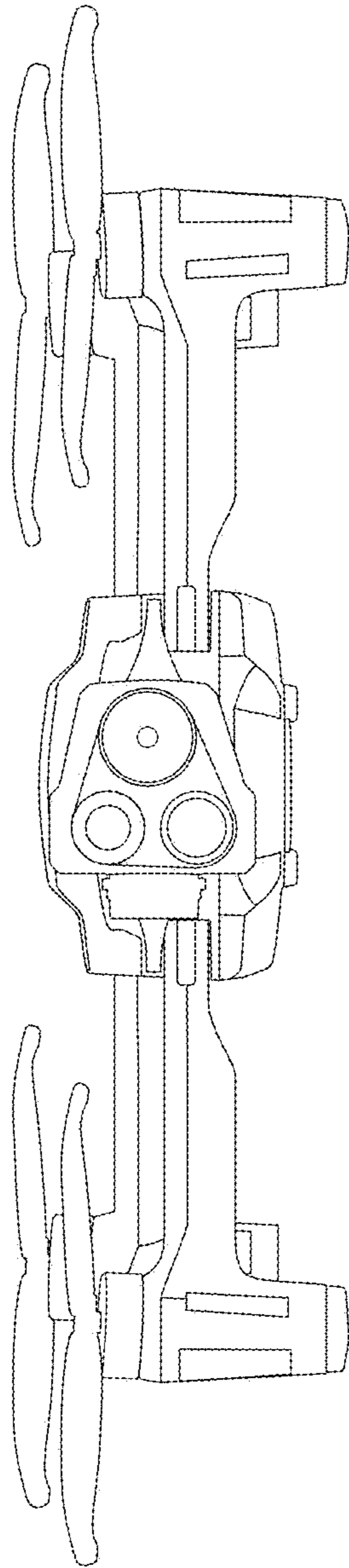
(56)

References Cited

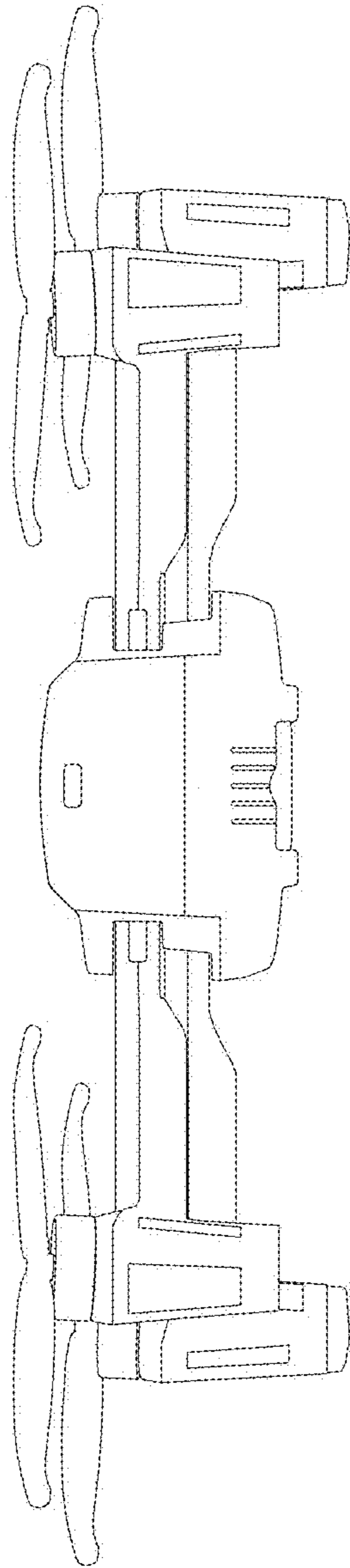
U.S. PATENT DOCUMENTS

D884,554 S * 5/2020 Chen D12/16.1
D887,340 S * 6/2020 He D12/328
D892,677 S * 8/2020 Luo D12/16.1
D900,675 S * 11/2020 Jia D12/1
D902,078 S * 11/2020 Tompkin D12/16.1
D904,226 S * 12/2020 Zhao D12/16.1
D904,279 S * 12/2020 Kim D12/328
D905,596 S * 12/2020 Chen D12/16.1
D906,171 S * 12/2020 Chen D12/16.1
D906,880 S * 1/2021 Chen D12/16.1
D906,881 S * 1/2021 Chen D12/16.1
D908,588 S * 1/2021 Zhao D12/328
D913,193 S * 3/2021 Xu D12/328
D918,087 S * 5/2021 He D12/16.1
D918,308 S * 5/2021 Xu D21/441
D934,151 S * 10/2021 Liang D12/328
2015/0129711 A1 * 5/2015 Caubel A63H 27/12
244/17.23
2015/0321759 A1 * 11/2015 Caubel B64C 27/006
244/17.23
2017/0221395 A1 * 8/2017 Benatar B64D 27/24
2018/0367785 A1 * 12/2018 Sanlaville H04N 5/2257
2019/0071178 A1 * 3/2019 Caubel A63H 27/007
2020/0117197 A1 * 4/2020 Oudwan B64D 47/08

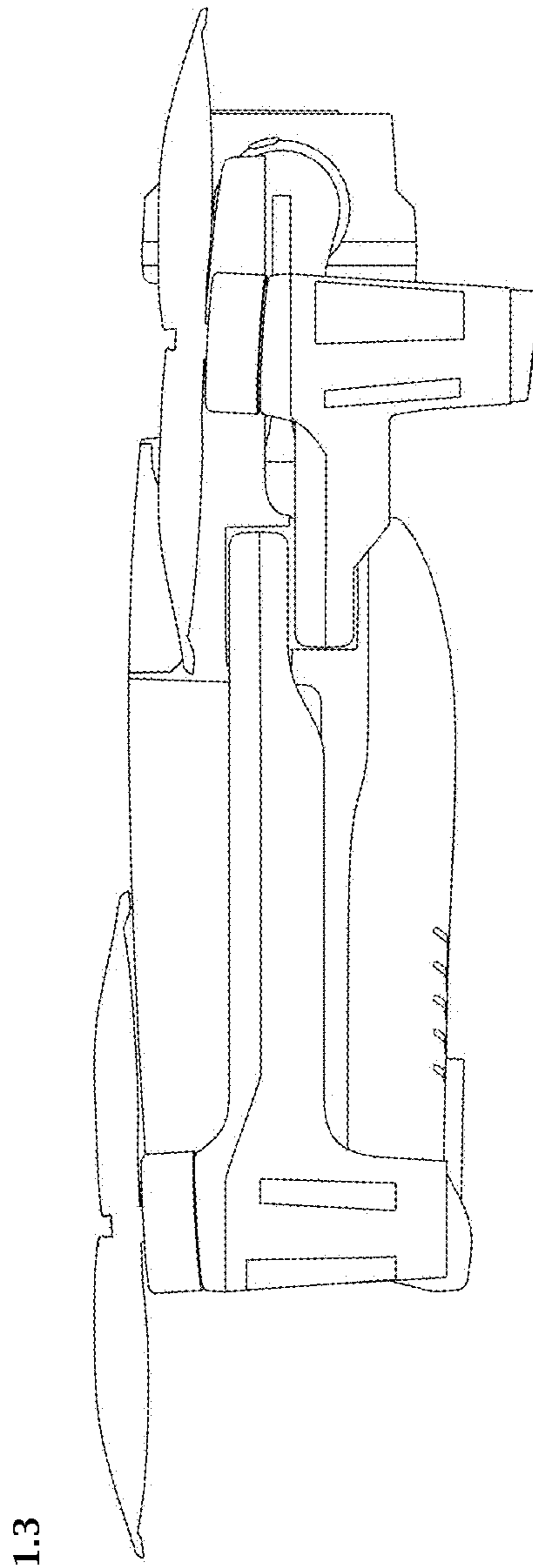
* cited by examiner

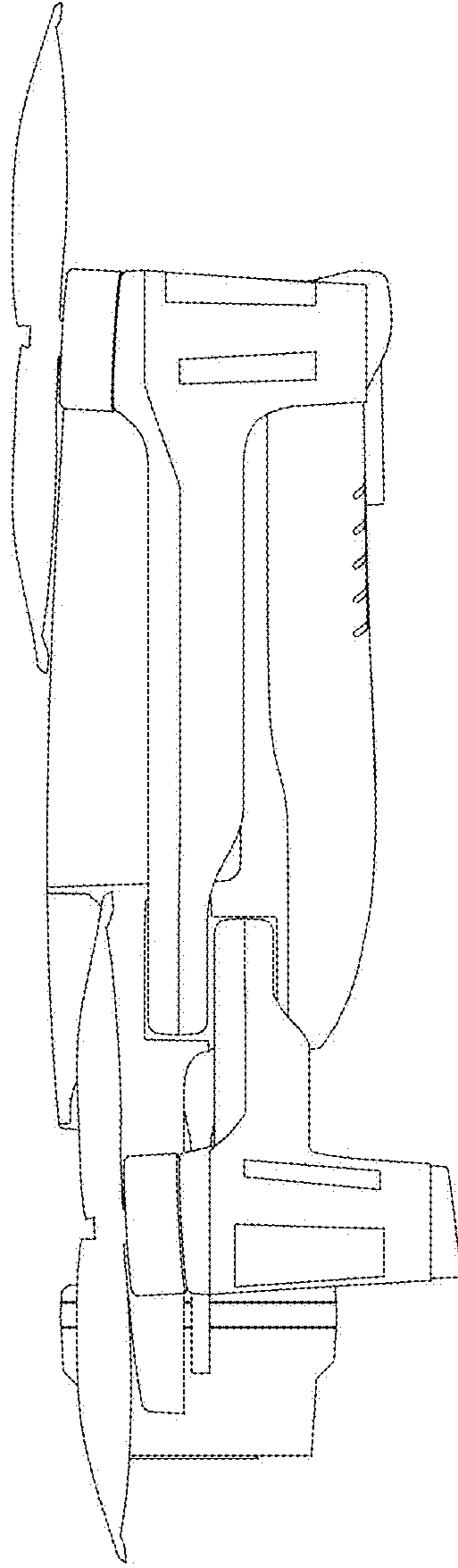


1.1

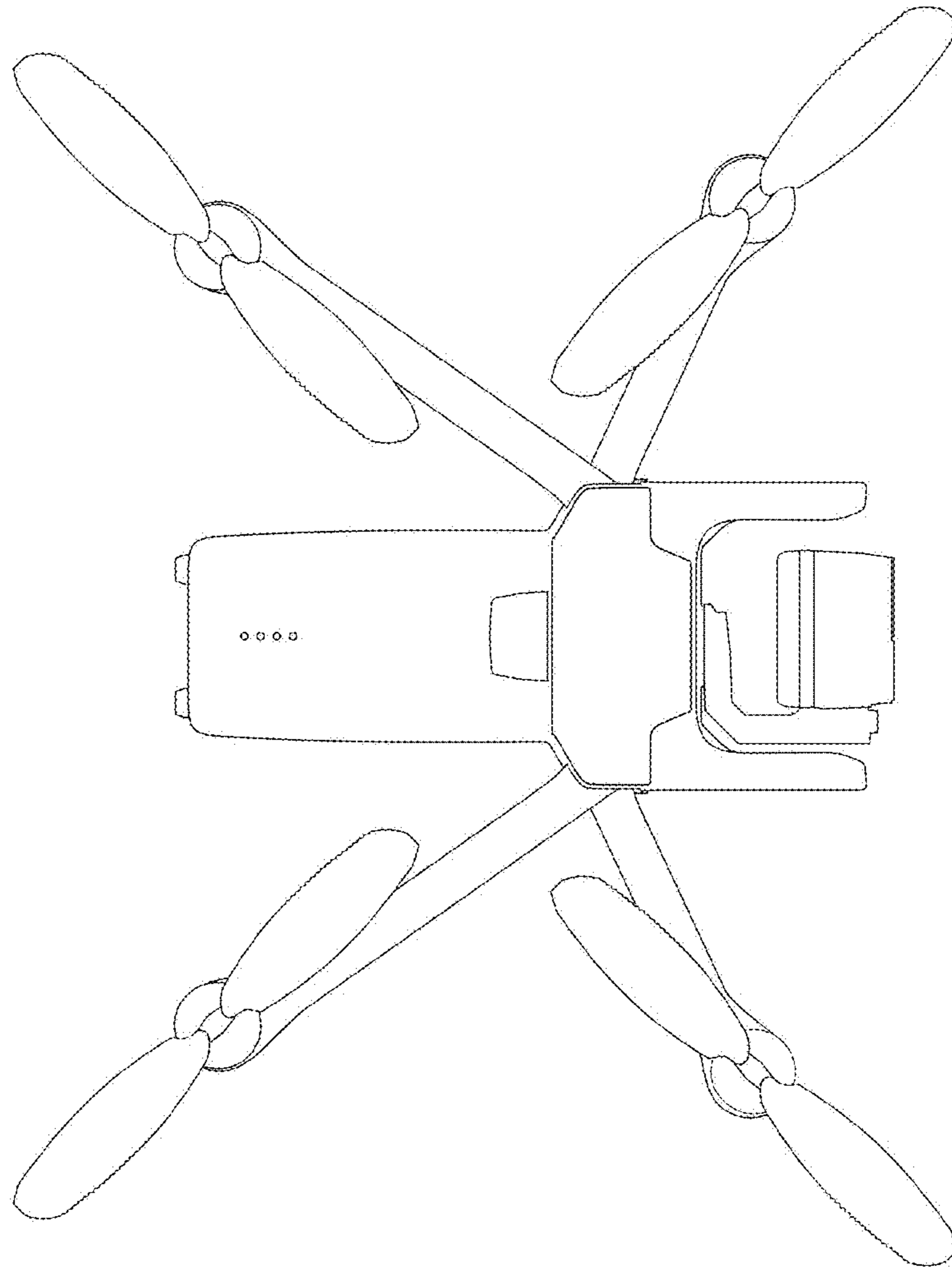


1.2

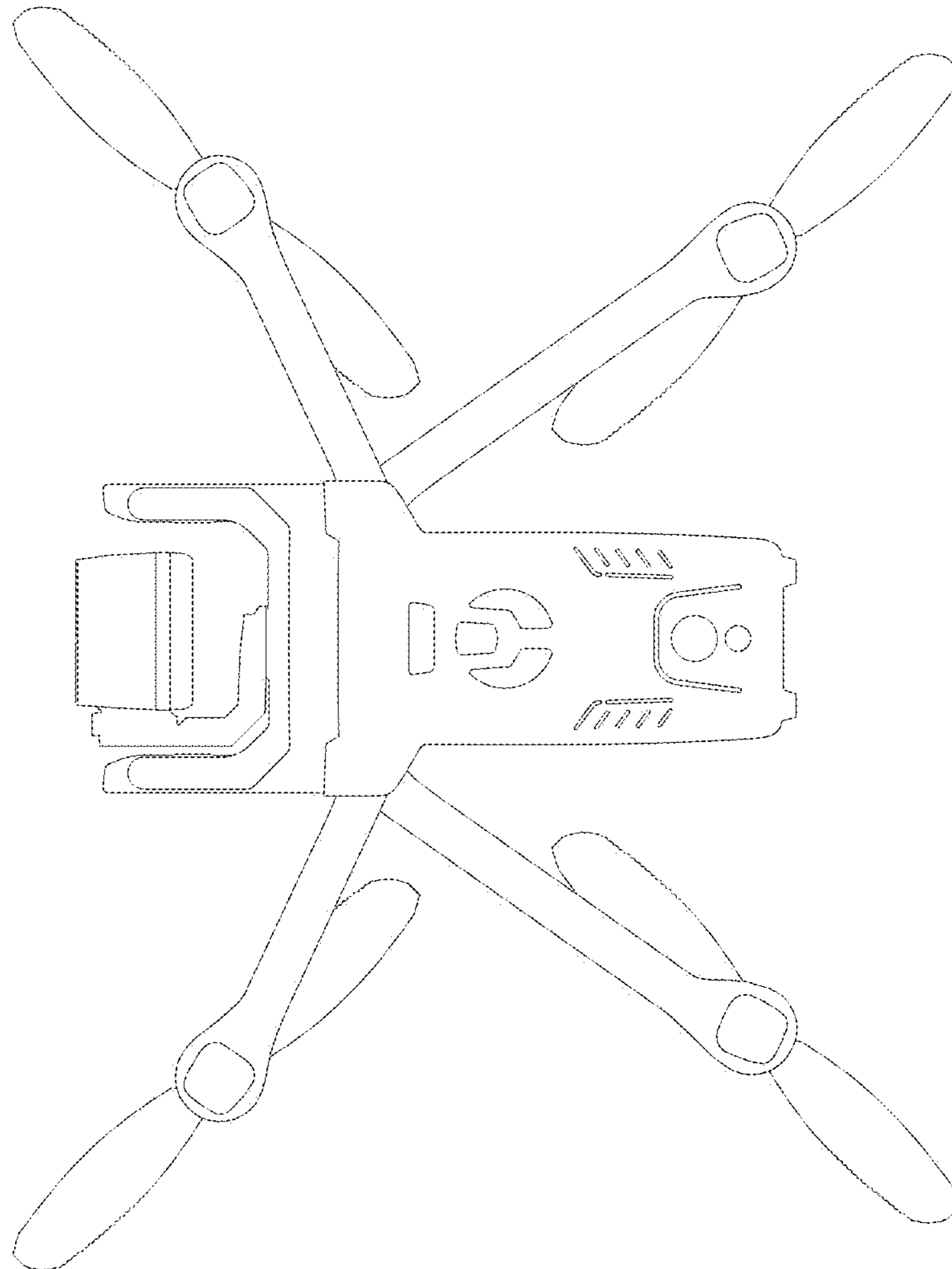




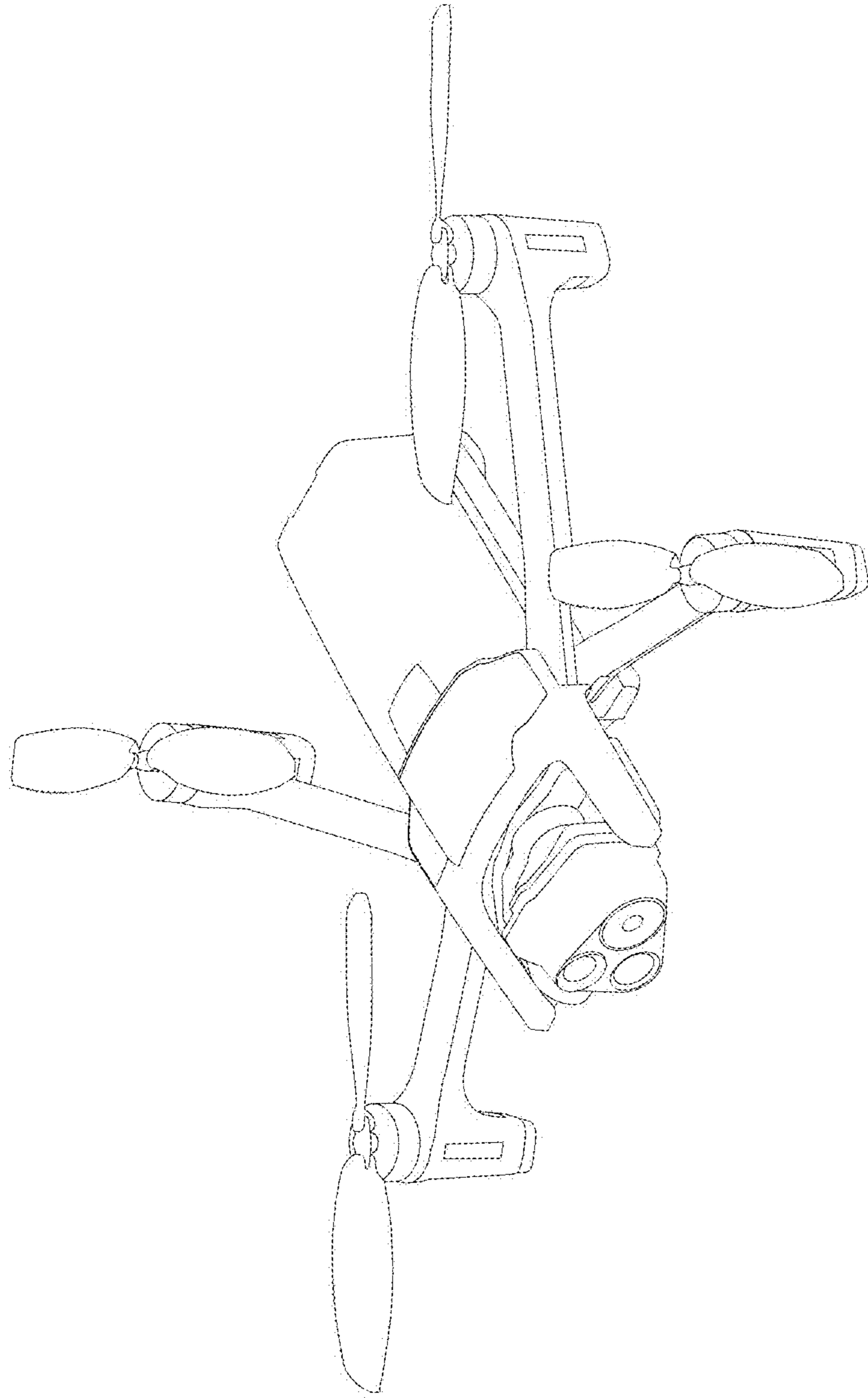
1.4



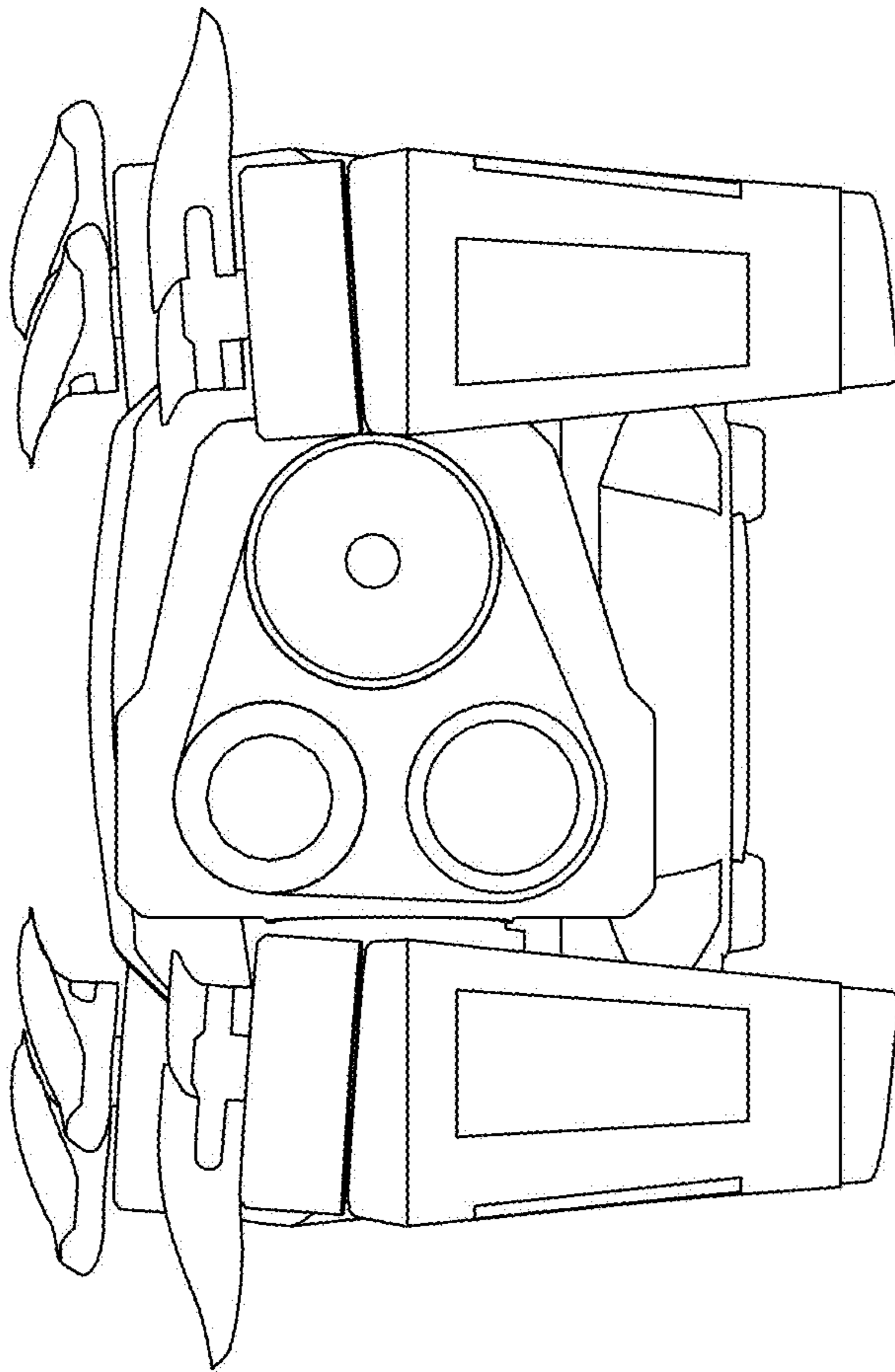
1.5



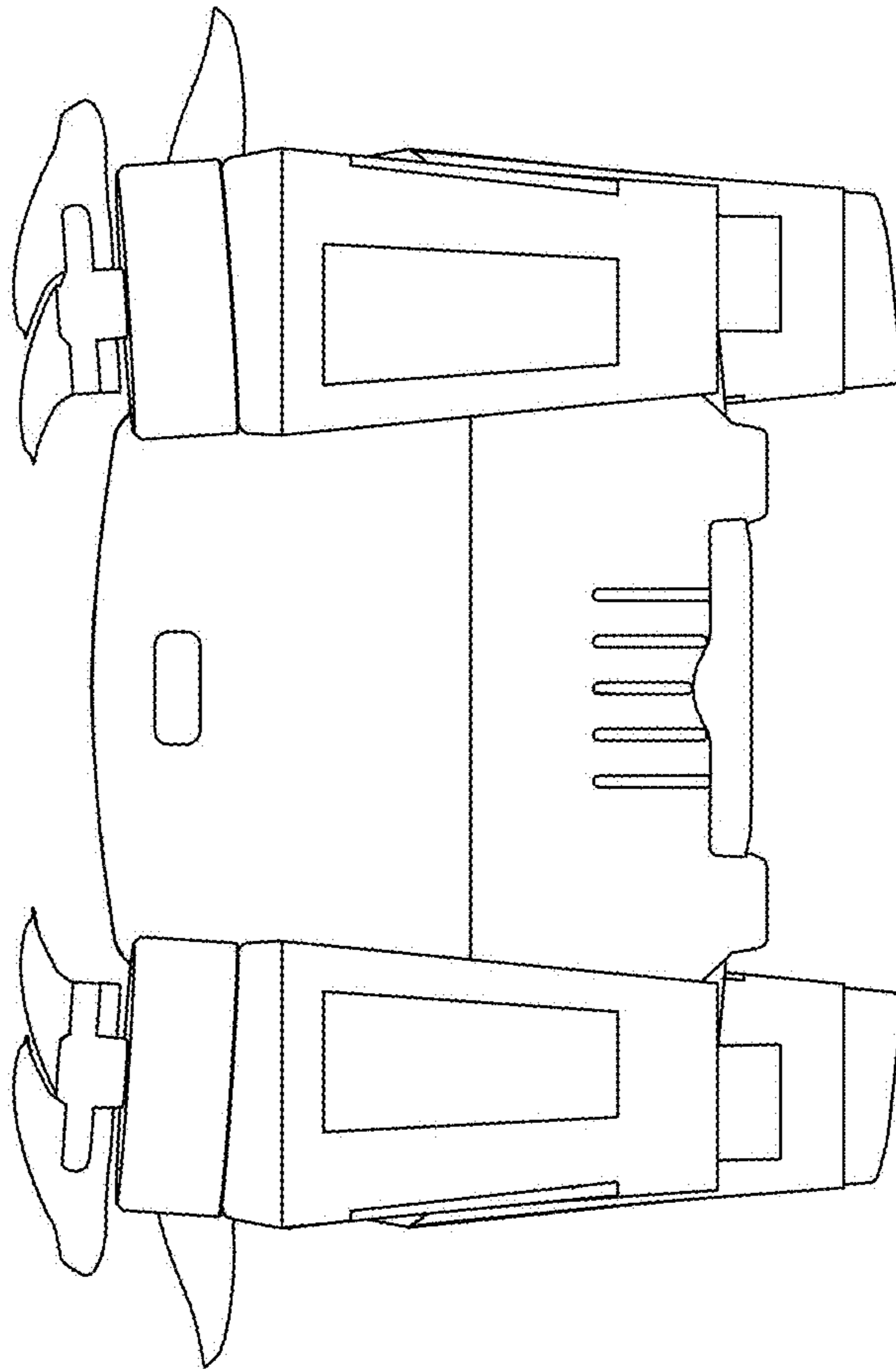
1.6



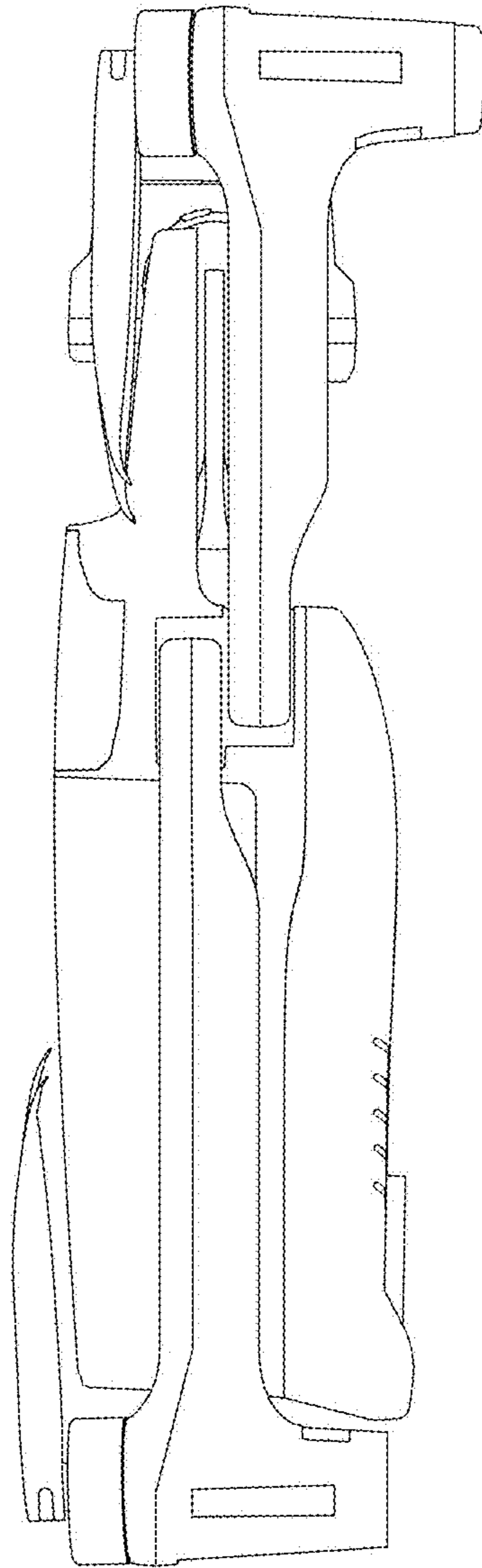
1.7



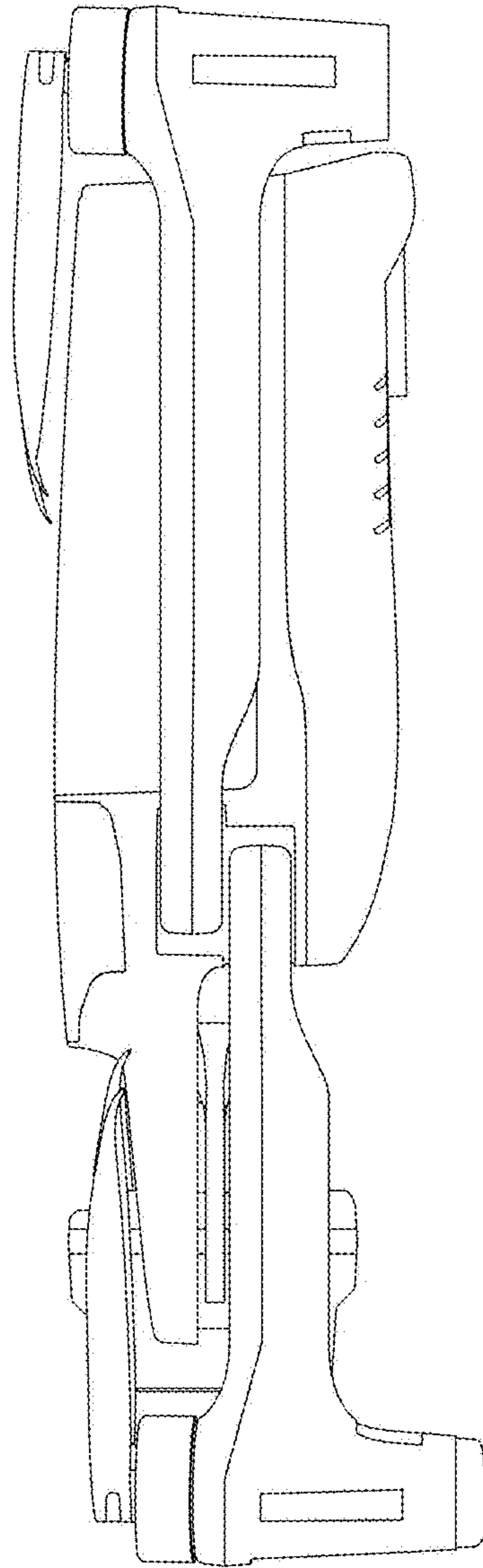
2.1



2.2

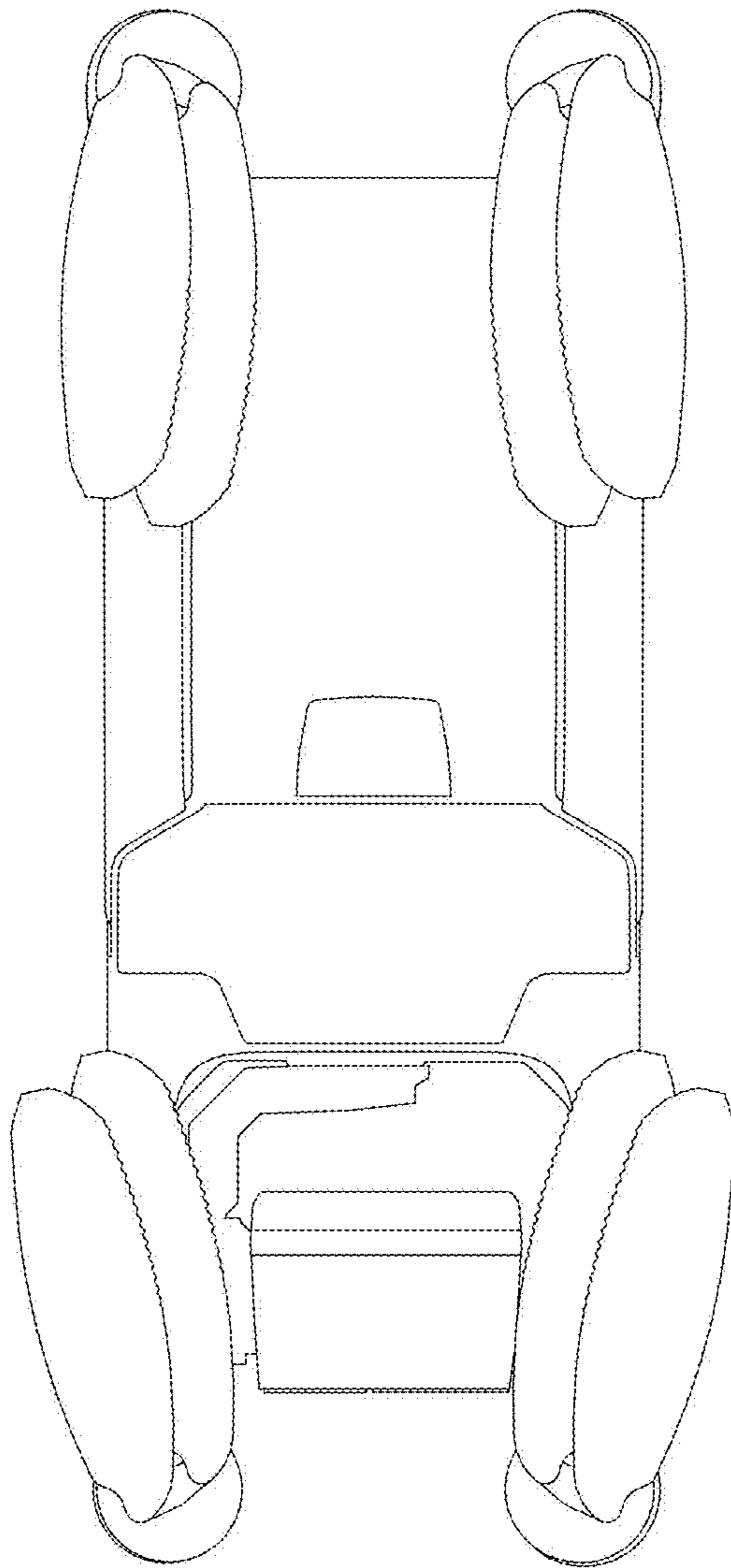


2.3

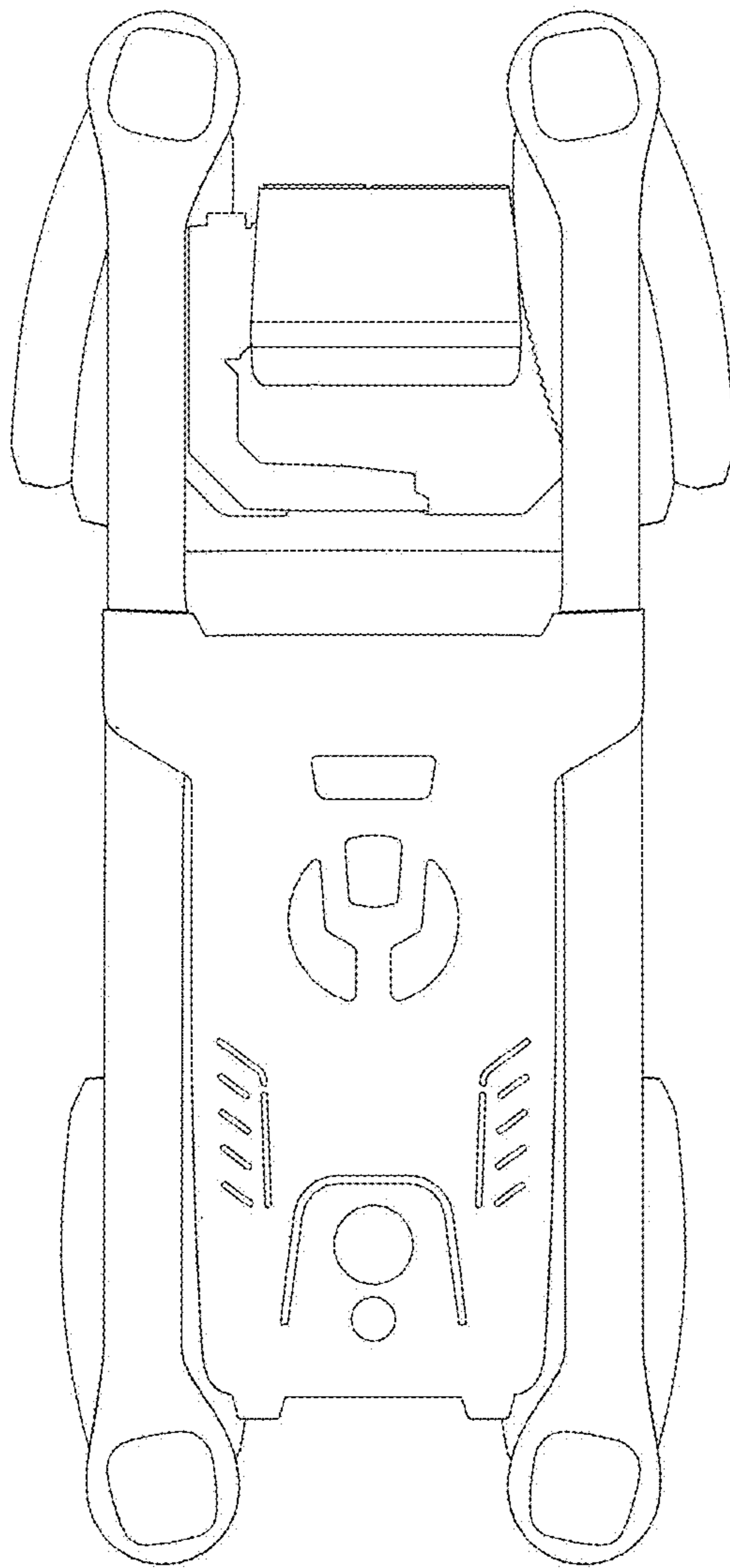


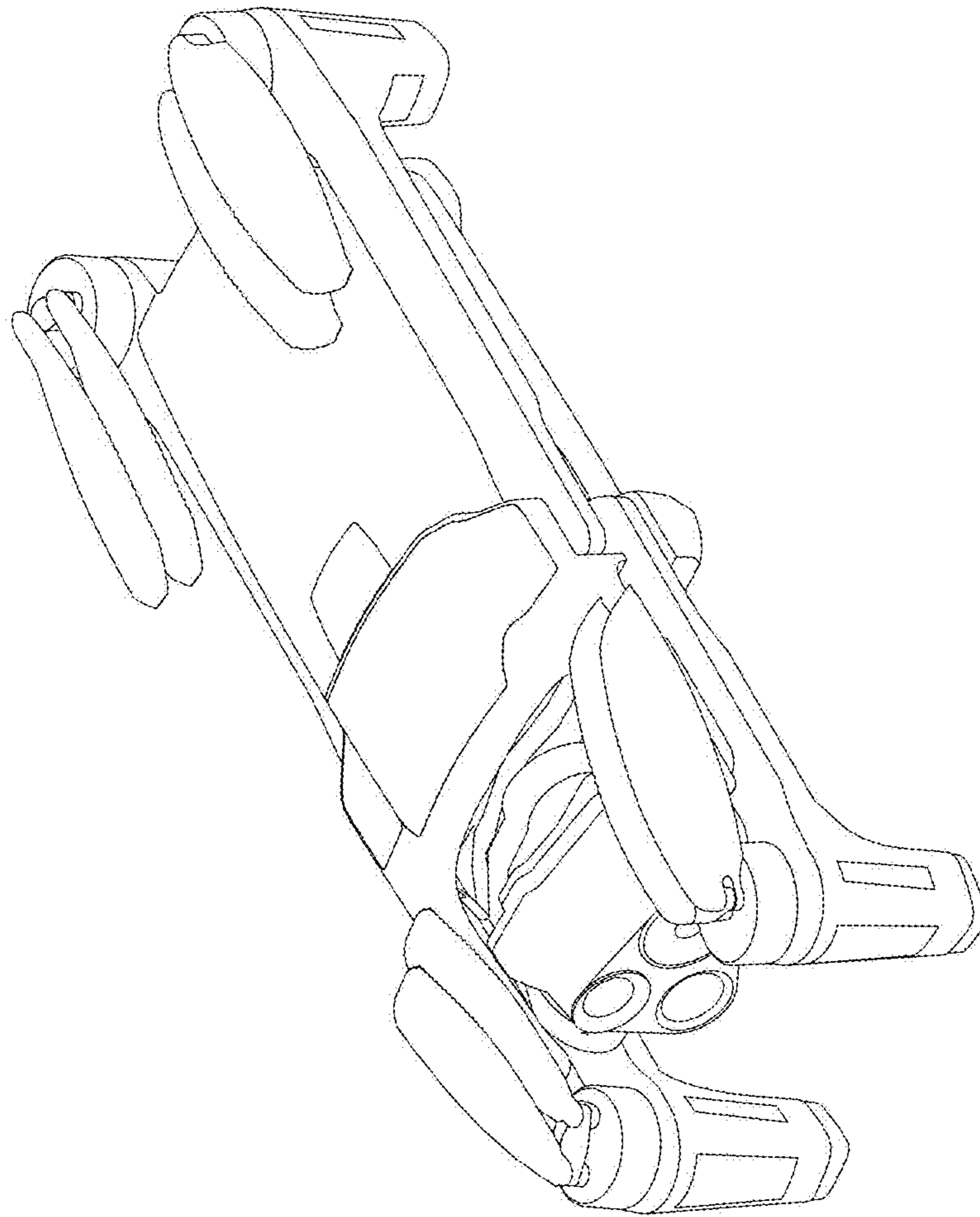
2.4

2.5



2.6





2.7