



US00D953196S

(12) **United States Design Patent**
DeCosmo et al.

(10) **Patent No.:** **US D953,196 S**

(45) **Date of Patent:** **** May 31, 2022**

- (54) **CLIP**
- (71) Applicant: **Ultra-Lit Tree Company**, Glenview, IL (US)
- (72) Inventors: **John DeCosmo**, Glenview, IL (US);
Gregory J. Foster, Chicago, IL (US);
Robert W. Sheldon, Winnetka, IL (US)
- (73) Assignee: **Ultra-Lit Tree Company**, Glenview, IL (US)

3,313,009	A *	4/1967	Beckerer	F16L 3/13
				248/74.2
D257,950	S *	1/1981	Van Meter, Jr.	D13/154
D264,045	S *	4/1982	Elliot	D8/355
D269,155	S *	5/1983	Rose	D8/356
D273,272	S *	4/1984	Roeser	D8/367
4,888,671	A	12/1989	Reimer	
4,901,960	A	2/1990	Gary	
D317,246	S *	6/1991	Driscoll	294/171
5,110,078	A	5/1992	Gary	
5,288,047	A	2/1994	Pan	
D362,205	S *	9/1995	Eichhorn	D11/130

(Continued)

(**) Term: **15 Years**

(21) Appl. No.: **29/692,220**

(22) Filed: **May 23, 2019**

(51) **LOC (13) Cl.** **06-99**

(52) **U.S. Cl.**
USPC **D11/130; D8/395**

(58) **Field of Classification Search**
USPC D11/117, 121, 130, 131, 164; D8/51, 52,
D8/54, 71, 72, 73, 349, 394, 395;
D28/39, 40
CPC A47G 33/00; A47G 33/08; A47G 33/0836;
A47G 33/10; A47G 33/105; A45D 6/045;
A45D 8/00; A45D 8/002; A45D 8/14;
A45D 8/20; A45D 8/24; B25B 9/00;
B25B 5/00; B25B 5/04; B25B 5/082;
B25B 5/101; B25B 5/125; B25B 5/14;
B25B 1/00; B25B 1/20

See application file for complete search history.

(56) **References Cited**

U.S. PATENT DOCUMENTS

1,303,103	A	5/1919	Moseman	
1,888,723	A *	11/1932	Gould	A47G 33/105
				248/214
1,895,656	A	1/1933	Gadke	
3,189,310	A	6/1965	Trueson	
D204,159	S *	3/1966	Plasecki	D8/395

OTHER PUBLICATIONS

Tree Clip, Pack of 100, <https://www.yardenvy.com/p/Tree-Clip-Pack-of-100-40018.htm#customer-reviews>, Nov. 18, 2017. (Year: 2017).*

Primary Examiner — Elizabeth J Oswecki

(74) *Attorney, Agent, or Firm* — Nixon Peabody LLP

(57) **CLAIM**

The ornamental design for a clip, as shown and described.

DESCRIPTION

FIG. 1 is a top, perspective view of a clip showing our new design.

FIG. 2 is front view of the clip shown in FIG. 1.

FIG. 3 is a back view of the clip shown in FIG. 1.

FIG. 4 is a left side view of the clip shown in FIG. 1.

FIG. 5 is a right side view of the clip shown in FIG. 1.

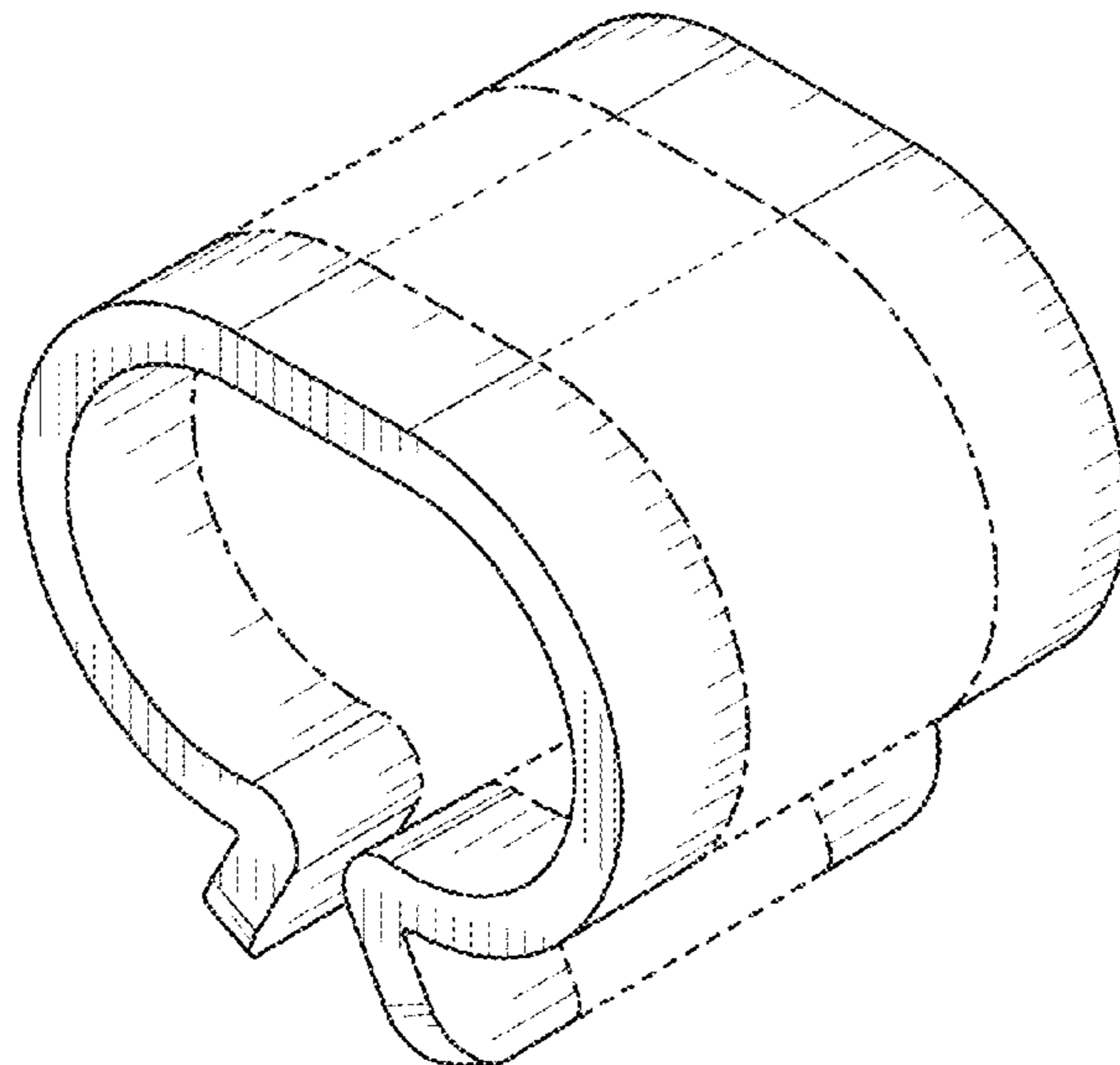
FIG. 6 is a top view of the clip shown in FIG. 1; and,

FIG. 7 is a bottom view of the clip shown in FIG. 1.

The broken lines in dash-dash form are dashed lines that show unclaimed portions and form no part of the claimed design.

The broken lines in dot-dash form are boundary lines illustrating that the claimed design extends to the boundary lines but does not include the boundary lines.

1 Claim, 3 Drawing Sheets



(56)

References Cited

U.S. PATENT DOCUMENTS

5,481,444	A	1/1996	Schultz	
D369,292	S *	4/1996	Gary	D11/130
D375,453	S *	11/1996	Fleck	D8/395
D378,439	S *	3/1997	Gary	D21/840
D409,479	S *	5/1999	Beugelsdyk	D8/395
5,915,848	A	6/1999	Deason	
D417,141	S *	11/1999	Senninger	D8/395
6,179,647	B1	1/2001	Kinderman	
6,315,430	B1	11/2001	Huang	
6,488,391	B1	12/2002	Gary	
D470,937	S *	2/2003	Gary	D24/138
D484,783	S *	1/2004	Woodhall	D8/356
D487,482	S *	3/2004	Disher	D19/65
D508,841	S *	8/2005	Jordan, Jr.	D8/395
D537,331	S *	2/2007	Hill	D8/395
D687,343	S *	8/2013	Edwards	D11/130
D743,781	S *	11/2015	Fischer	D8/395
D759,474	S *	6/2016	Pittman	D8/395
D760,583	S *	7/2016	Weilage	D8/396
D824,756	S *	8/2018	Fischer	D8/395
D841,450	S *	2/2019	Larson	D8/395
D841,451	S *	2/2019	McGugan	D8/395

* cited by examiner

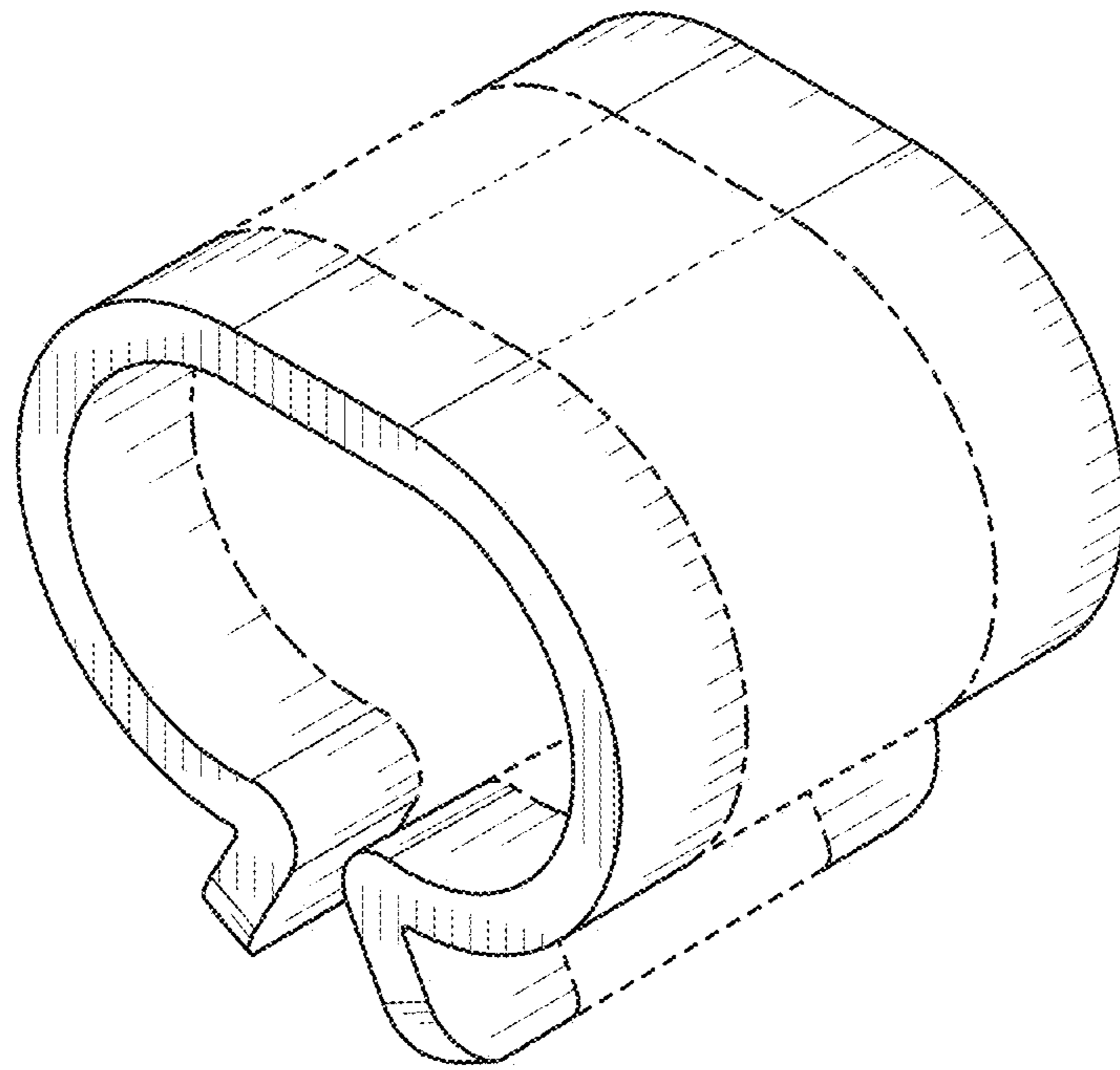


FIG. 1

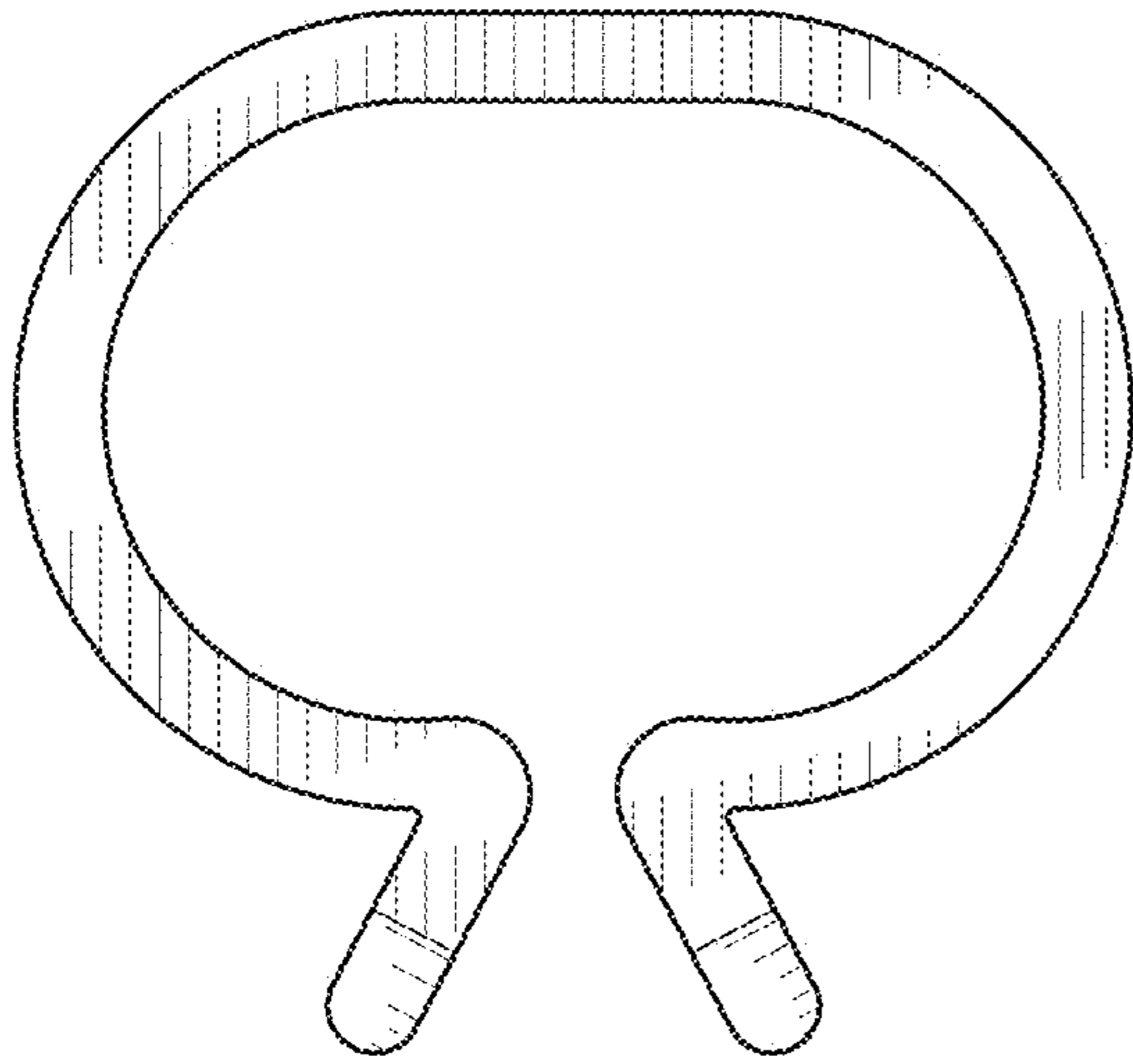


FIG. 2

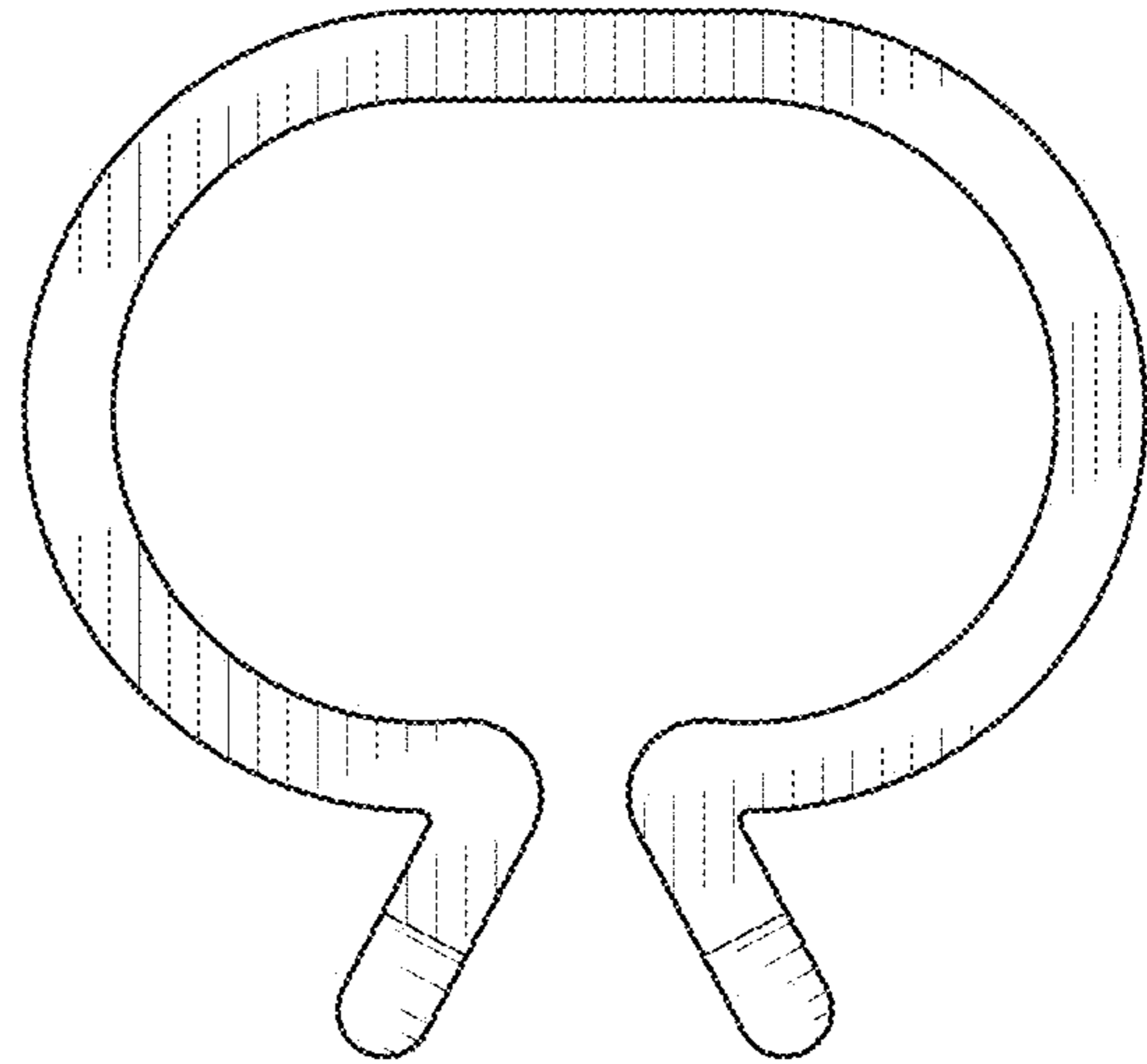


FIG. 3

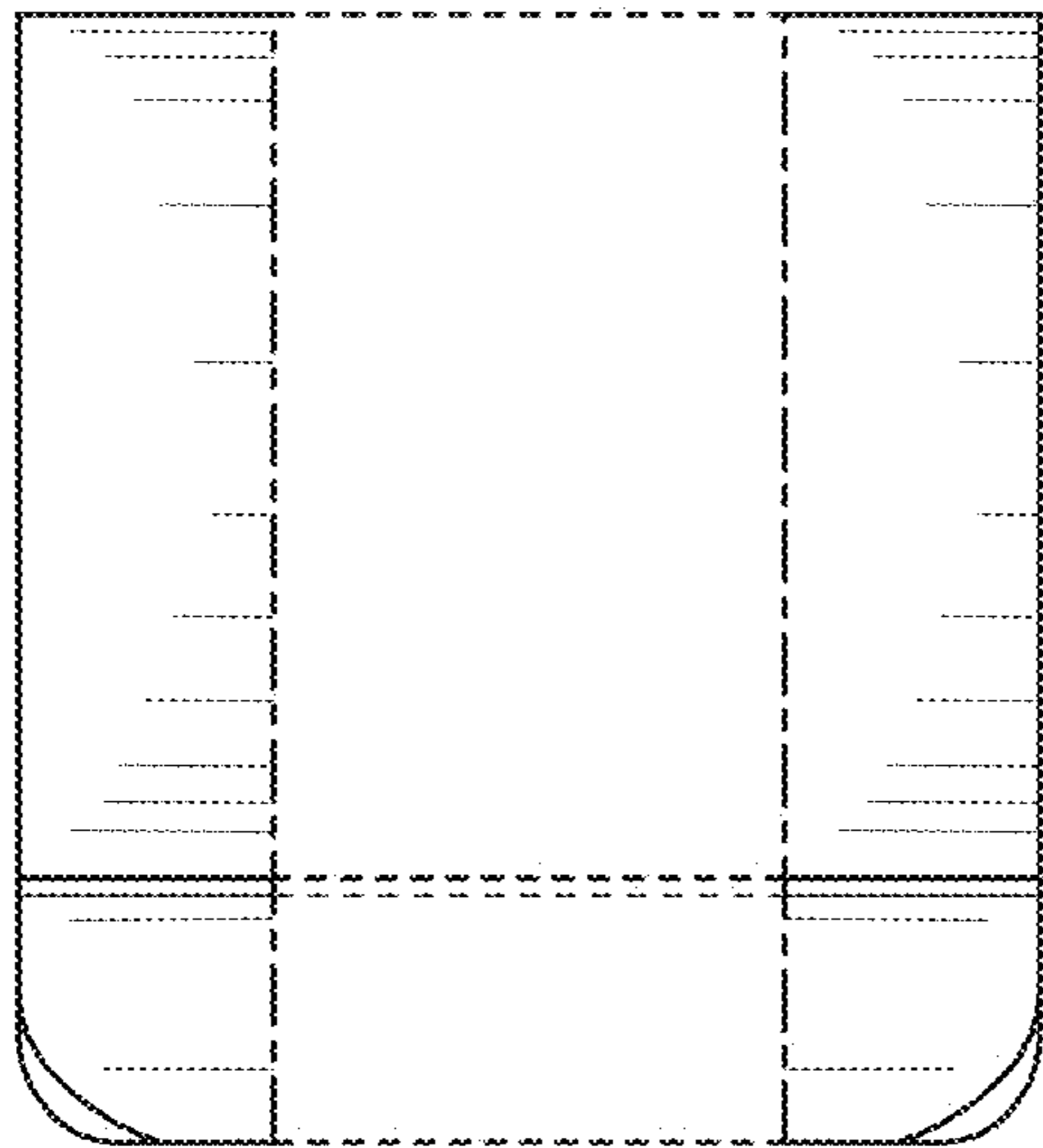


FIG. 4

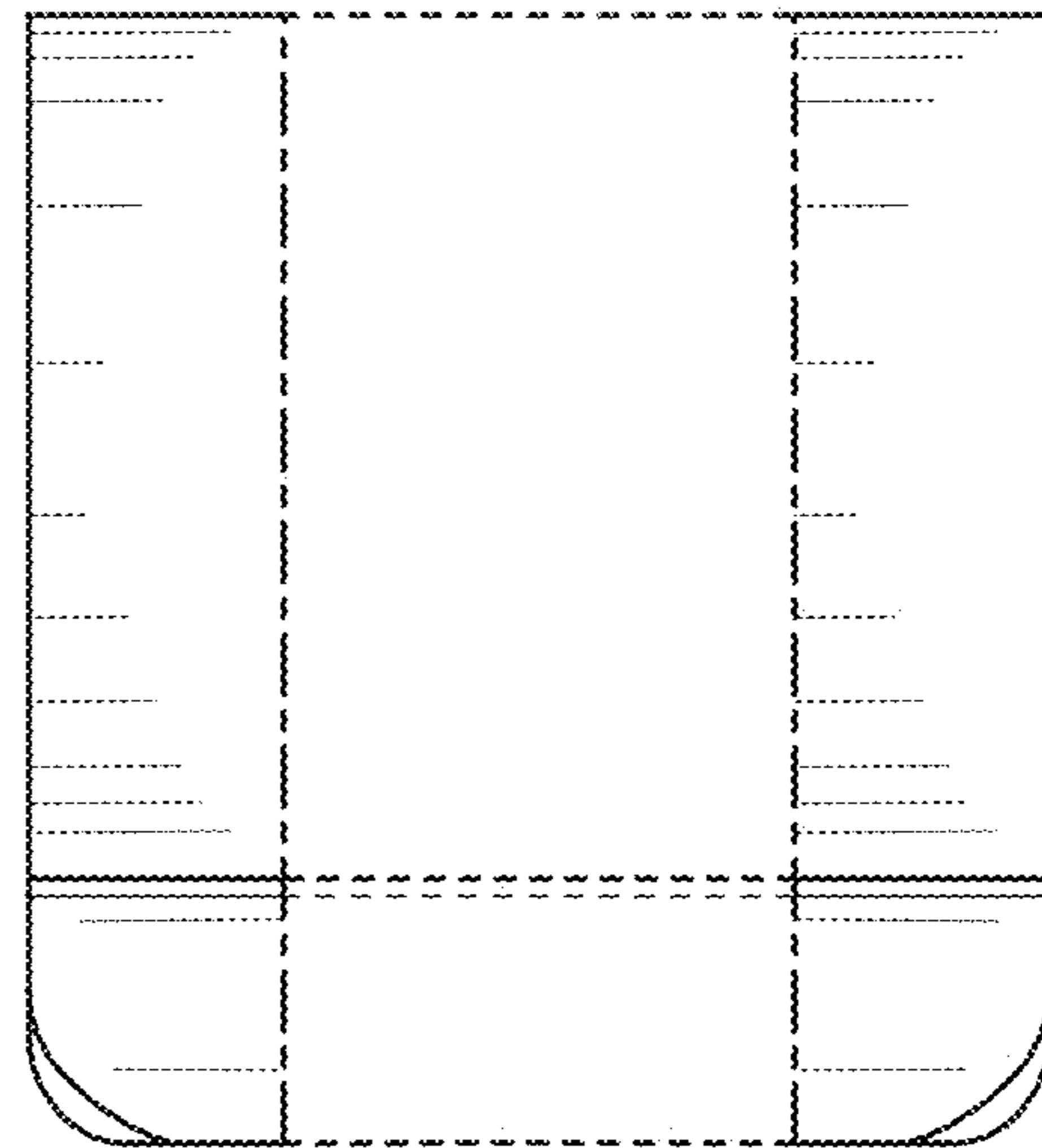


FIG. 5

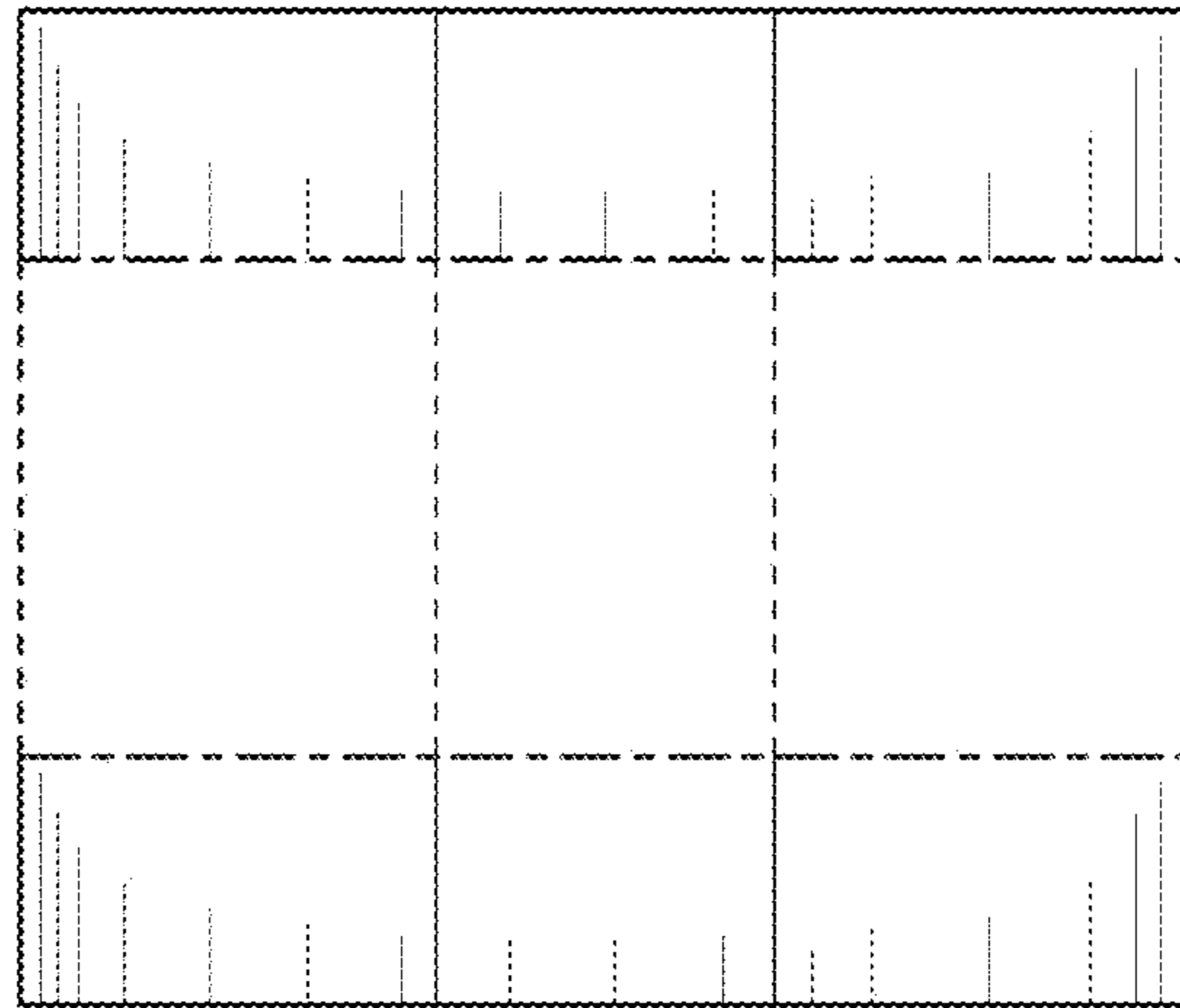


FIG. 6

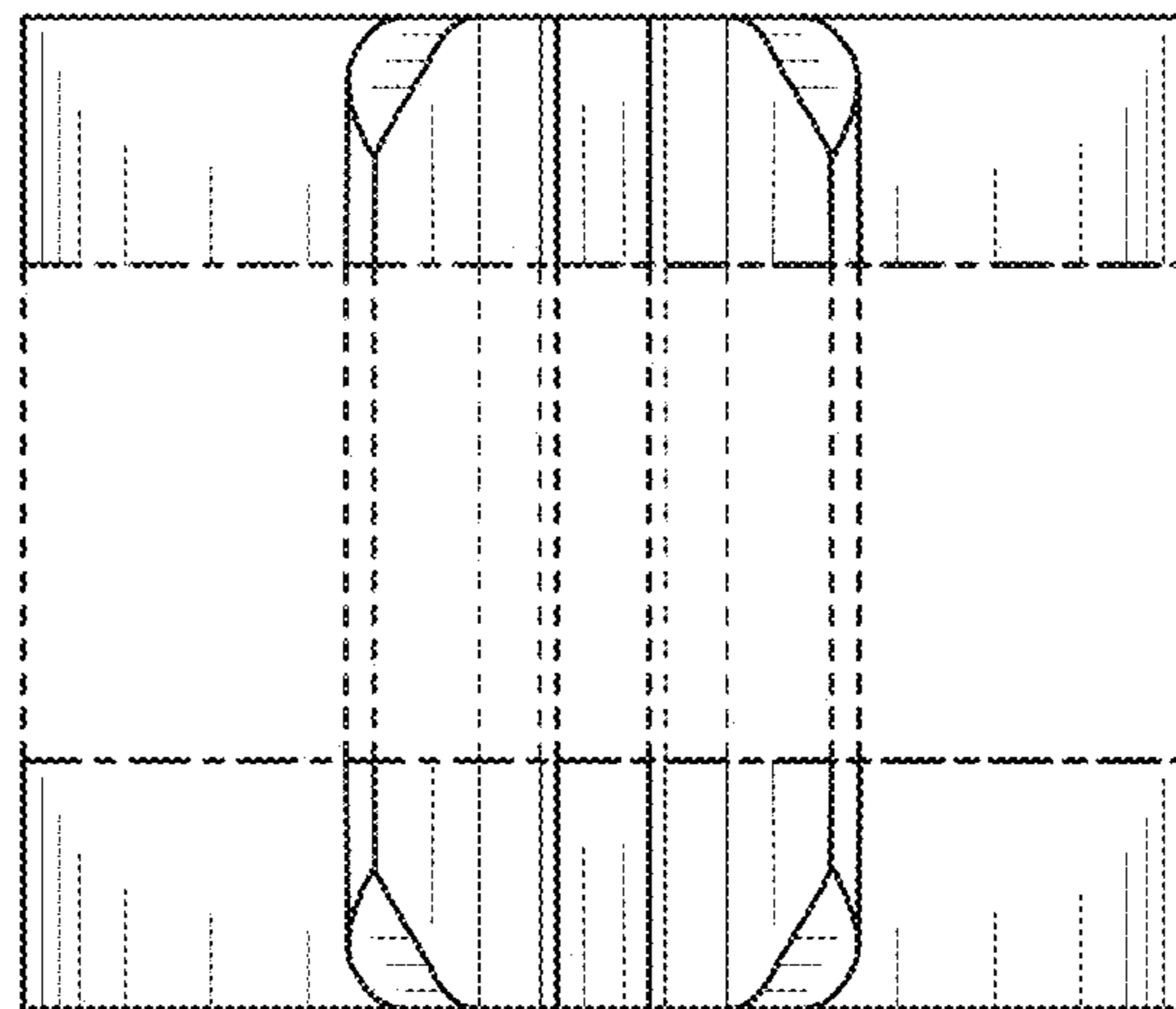


FIG. 7