



US00D953192S

(12) **United States Design Patent** (10) **Patent No.:** **US D953,192 S**  
**Padeh et al.** (45) **Date of Patent:** **\*\* May 31, 2022**

(54) **CUSHION STONE**

(71) Applicant: **Dov Padeh**, Cedarhurst, NY (US)  
(72) Inventors: **Dov Padeh**, Cedarhurst, NY (US); **Wolf Gluck**, Monroe, NY (US)  
(73) Assignee: **Dov Padeh**, Cedarhurst, NY (US)  
(\*\*) Term: **15 Years**  
(21) Appl. No.: **29/764,224**  
(22) Filed: **Dec. 29, 2020**  
(51) **LOC (13) Cl.** ..... **11-01**  
(52) **U.S. Cl.**  
USPC ..... **D11/90**  
(58) **Field of Classification Search**  
USPC ... D11/1, 3, 7, 8, 26, 34-40, 42, 43, 79, 86,  
D11/89-92, 16; D1/106, 127  
CPC ..... A44C 17/00; A44C 17/001; A44C 17/002;  
A44C 17/003; A44C 17/005; A44C  
17/006; A44C 17/007; A44C 17/008  
See application file for complete search history.

(56) **References Cited**

**U.S. PATENT DOCUMENTS**

D319,033 S *	8/1991	Chia	.....	A44C 17/001
				D11/93
D502,665 S *	3/2005	Siman-Tov	.....	D11/90
D571,250 S *	6/2008	Lichtenstein	.....	D11/90
D596,525 S *	7/2009	Peled	.....	D11/90
D608,684 S *	1/2010	Swarovski	.....	D11/90
D647,815 S *	11/2011	Froehlich	.....	D11/90
D732,419 S *	6/2015	Wong	.....	D11/86
D749,459 S *	2/2016	Modi	.....	D11/89
D773,337 S *	12/2016	Modi	.....	D11/89
D839,779 S *	2/2019	Rydlewicz	.....	D11/90

(Continued)

**FOREIGN PATENT DOCUMENTS**

CN 300735533 \* 1/2008

**OTHER PUBLICATIONS**

PC02-161A Modified Easy Way, Norman Steele, Nov. 1996, [online], [site visited Nov. 5, 2021]. Retrieved from url: <http://www.facetdiagrams.org/database/files/pc02161a.html> (Year: 1996).\*

*Primary Examiner* — Michelle E. Wilson  
*Assistant Examiner* — Tracey J Bell  
(74) *Attorney, Agent, or Firm* — Ostrager Chong Flaherty & Broitman P.C.

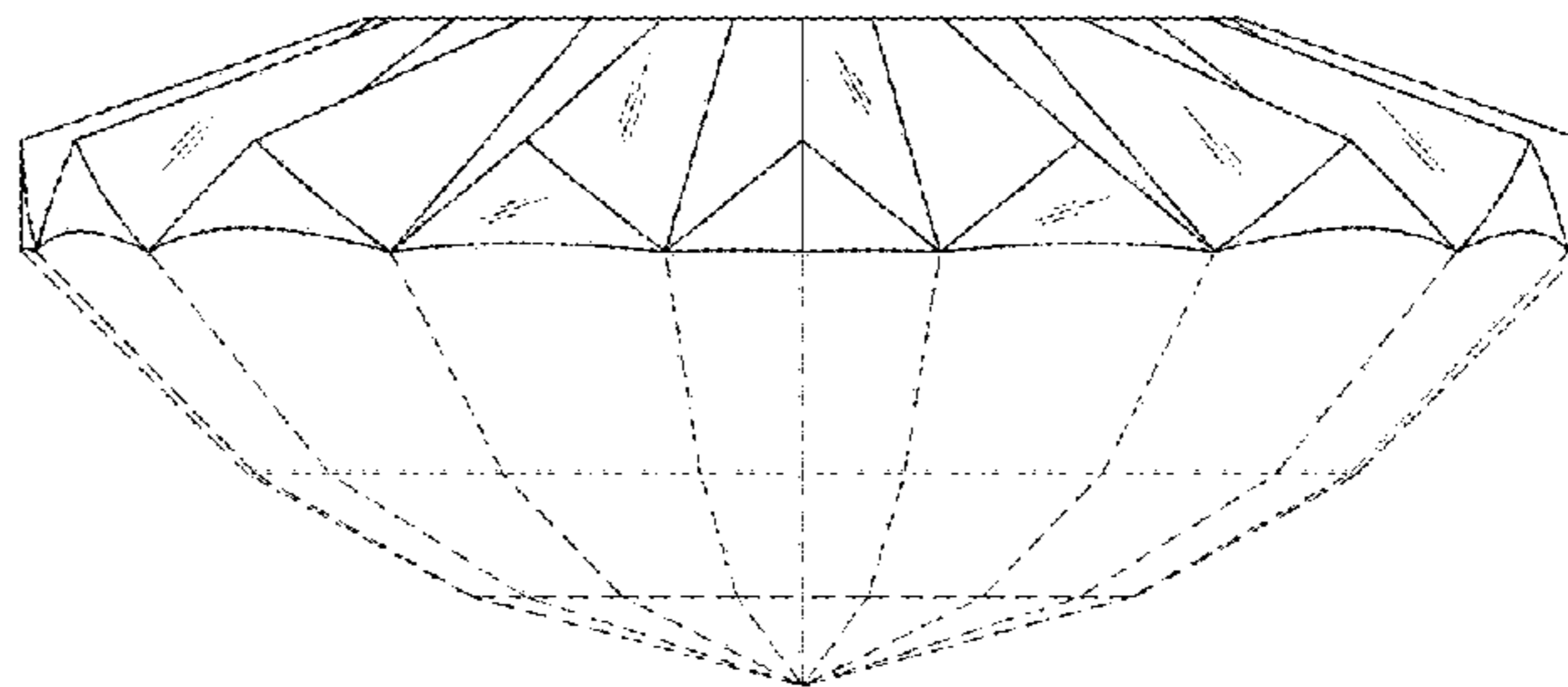
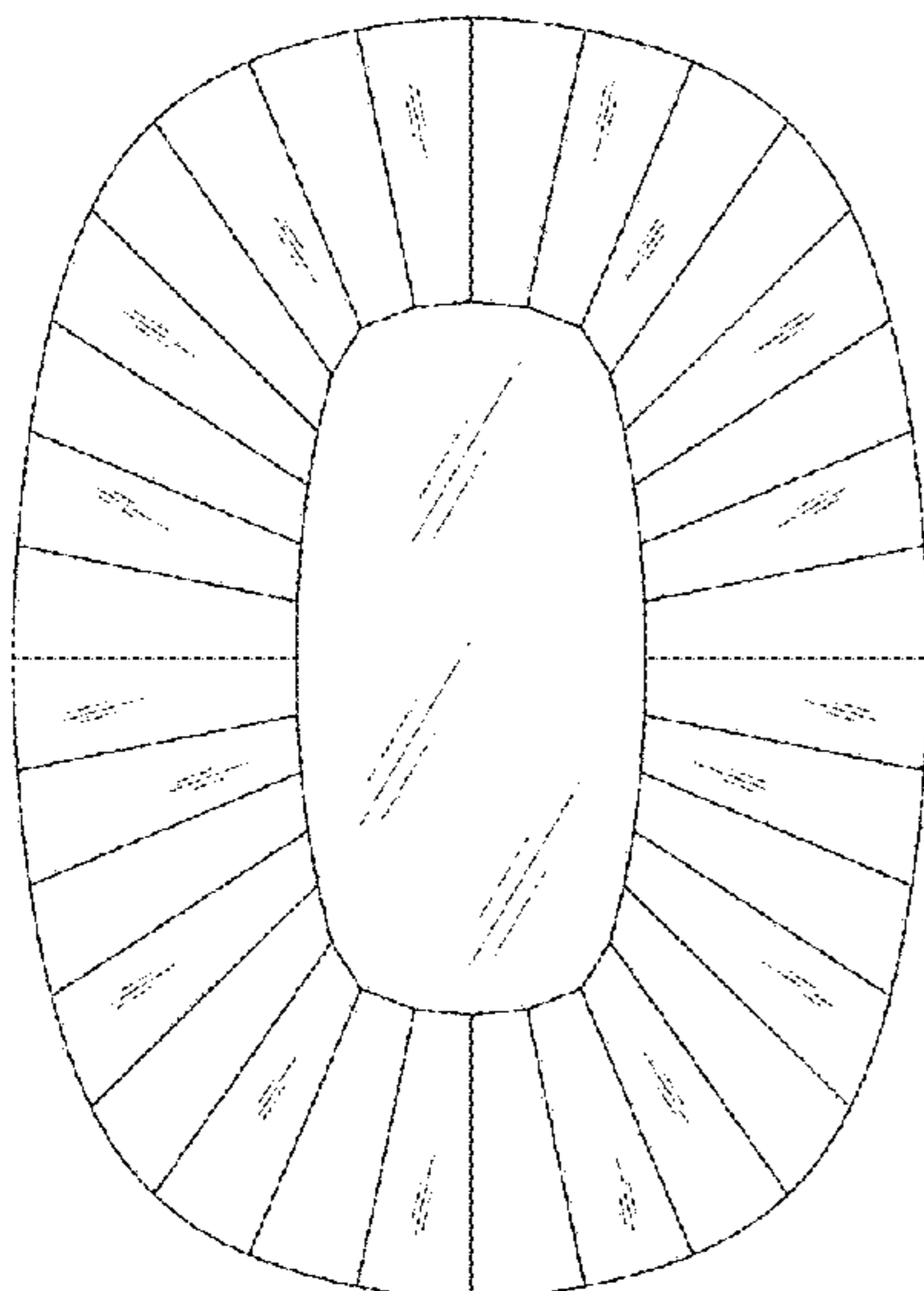
(57) **CLAIM**

We claim the ornamental design for a cushion stone, as shown and described.

**DESCRIPTION**

FIG. 1 is a top, front, and right side perspective view of a cushion stone;  
FIG. 2 is a bottom, rear, and left side perspective view thereof;  
FIG. 3 is a top view thereof;  
FIG. 4 is a bottom view thereof; and  
FIG. 5 is a left side view thereof, the right side view being a mirror image thereof; and  
FIG. 6 is a front side view thereof, the rear side view being a mirror image thereof.  
FIG. 7 is a top, front, and right side perspective view of an alternative embodiment of a cushion stone;  
FIG. 8 is a bottom, rear, and left side perspective view thereof;  
FIG. 9 is a top view thereof;  
FIG. 10 is a bottom view thereof; and  
FIG. 11 is a left side view thereof, the right side view being a mirror image thereof; and,  
FIG. 12 is a front side view thereof, the rear side view being a mirror image thereof.  
The broken lines in FIGS. 1, 2, 4, 5, 6, 7, 8, 10, 11, and 12 depict portions of the cushion stone that form no part of the claimed design.

**1 Claim, 6 Drawing Sheets**



(56)

**References Cited**

U.S. PATENT DOCUMENTS

D868,615 S \* 12/2019 Bhosale ..... D11/91  
D897,886 S \* 10/2020 Slowinski ..... D11/90  
2011/0265514 A1\* 11/2011 Fakier ..... A44C 17/001  
63/12

\* cited by examiner

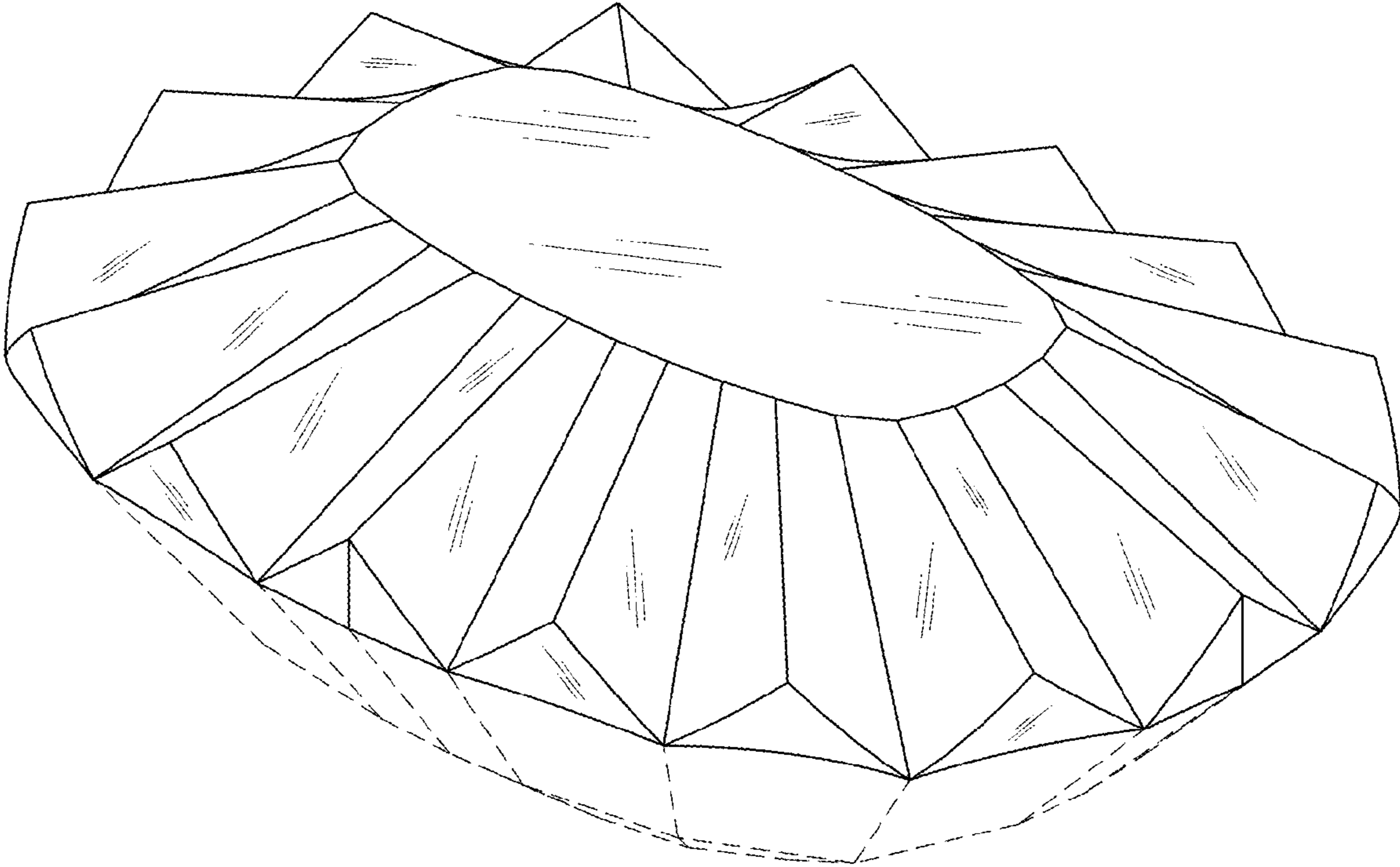


FIG. 1

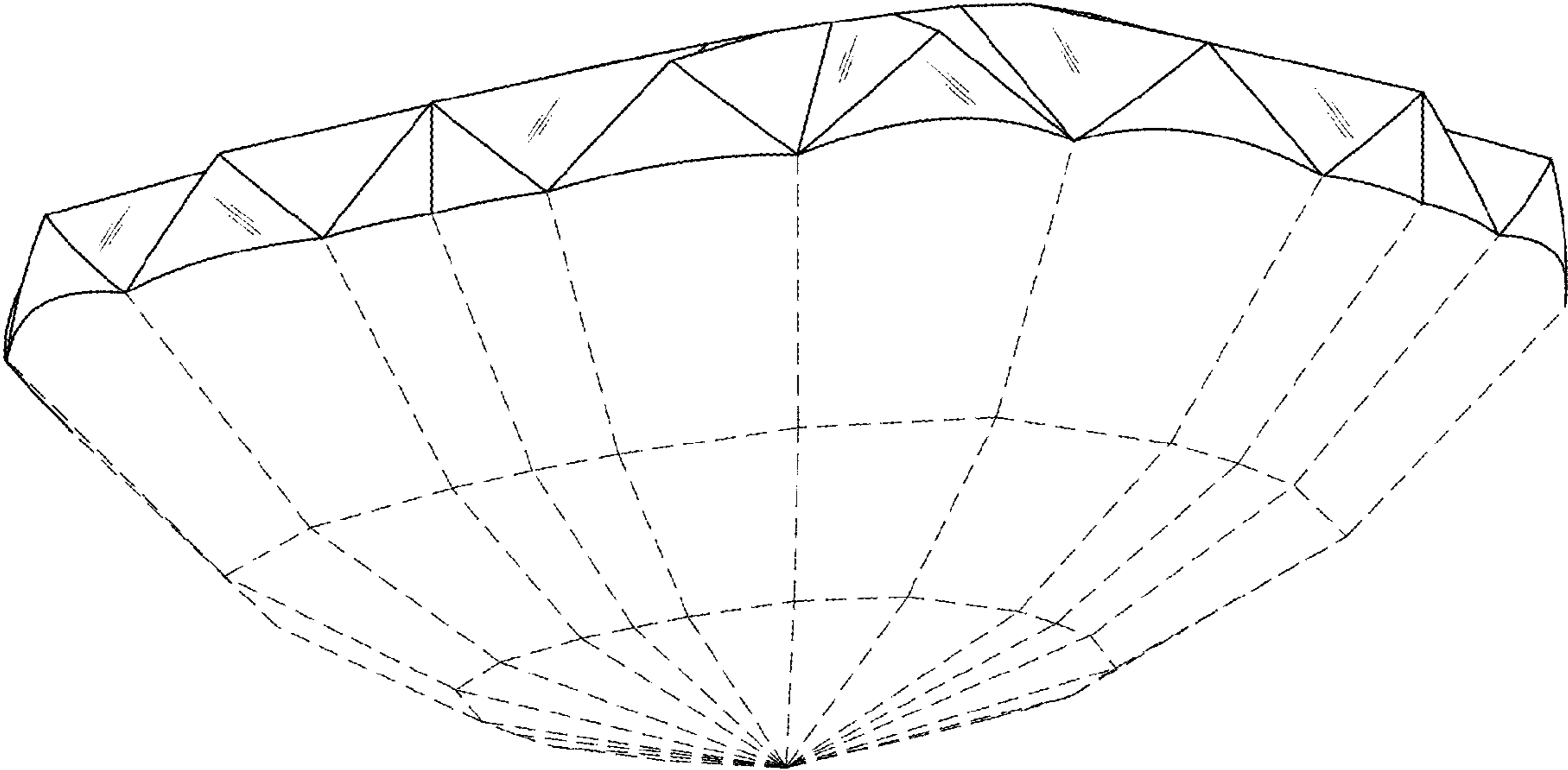


FIG. 2

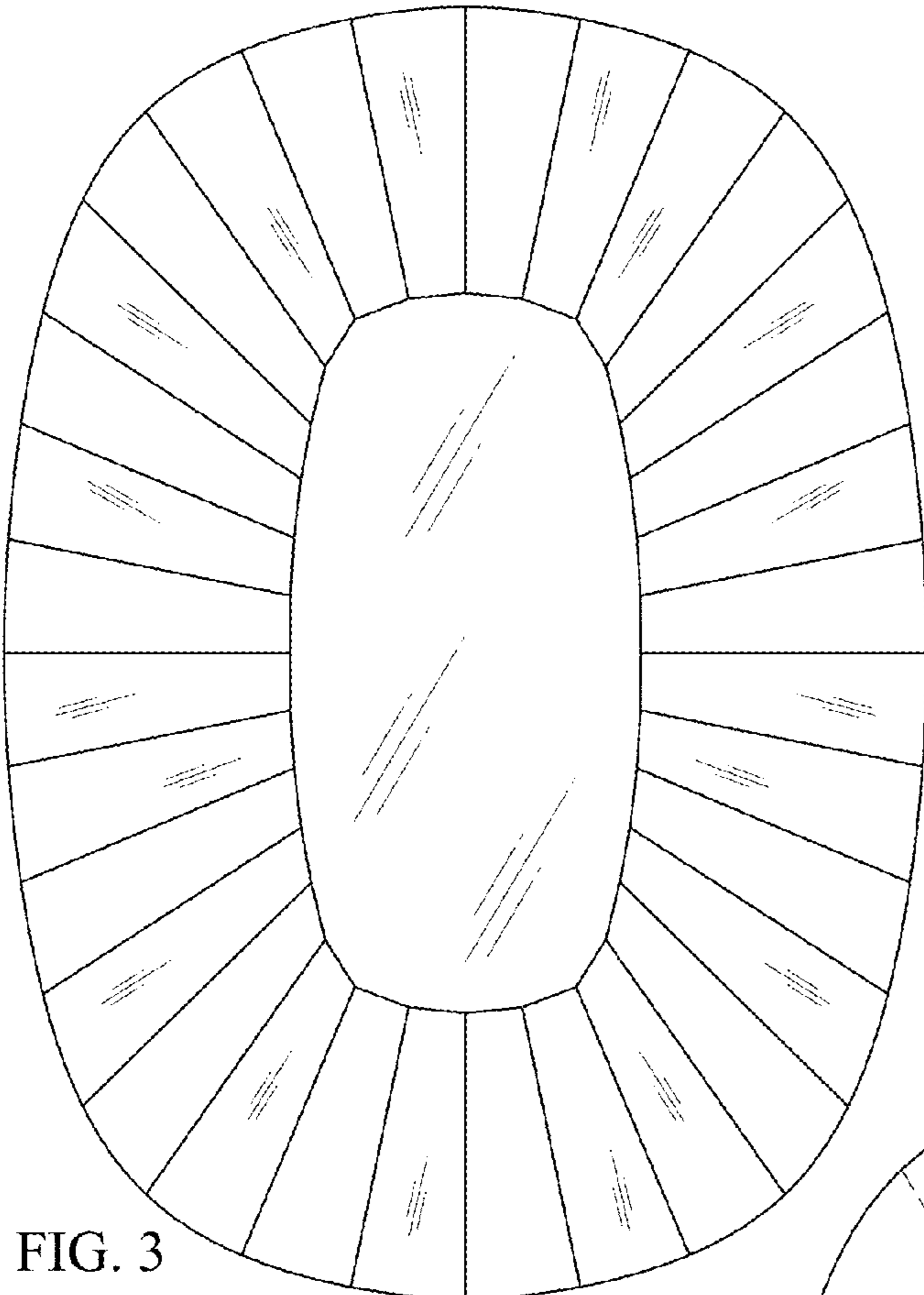


FIG. 3

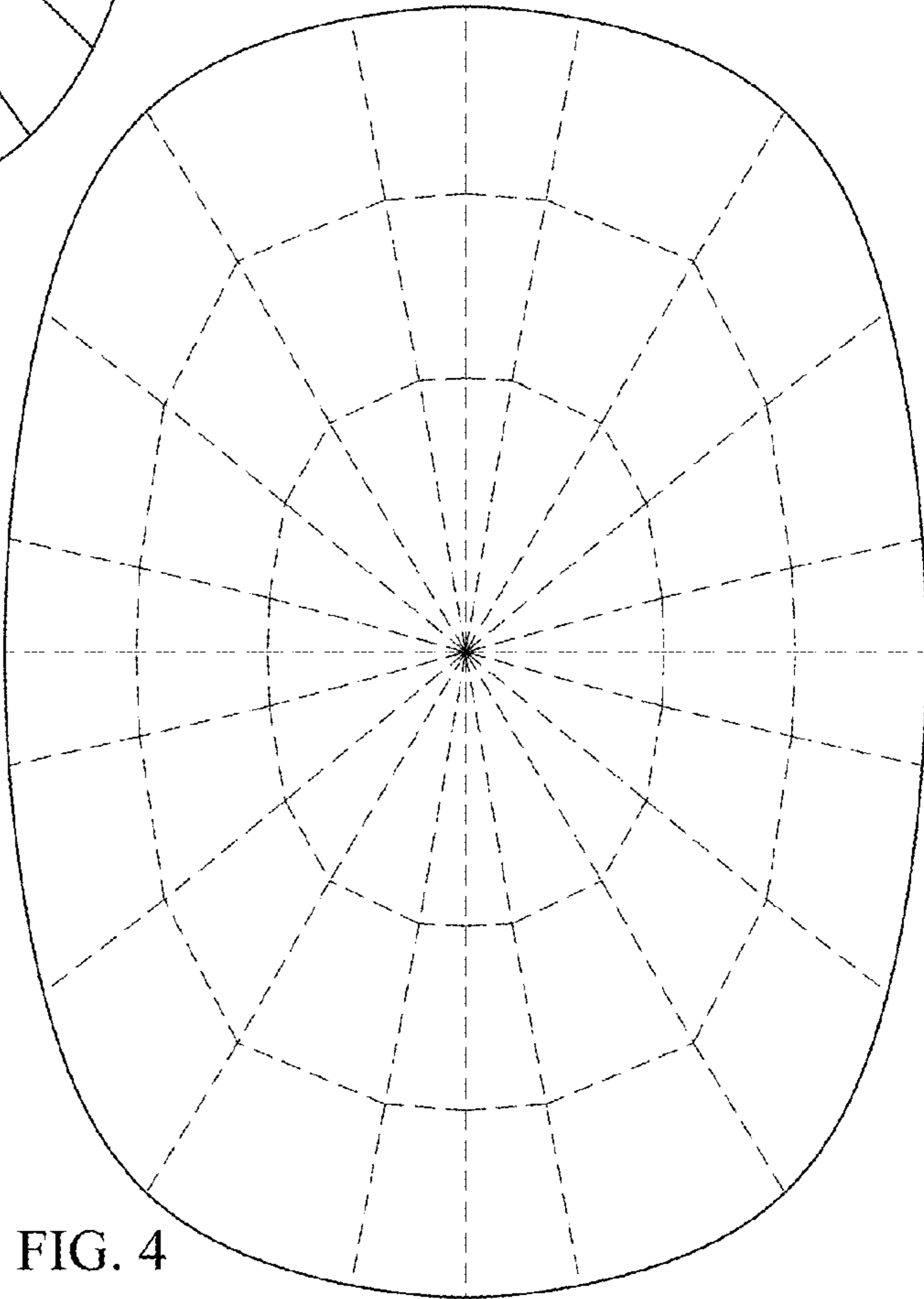


FIG. 4

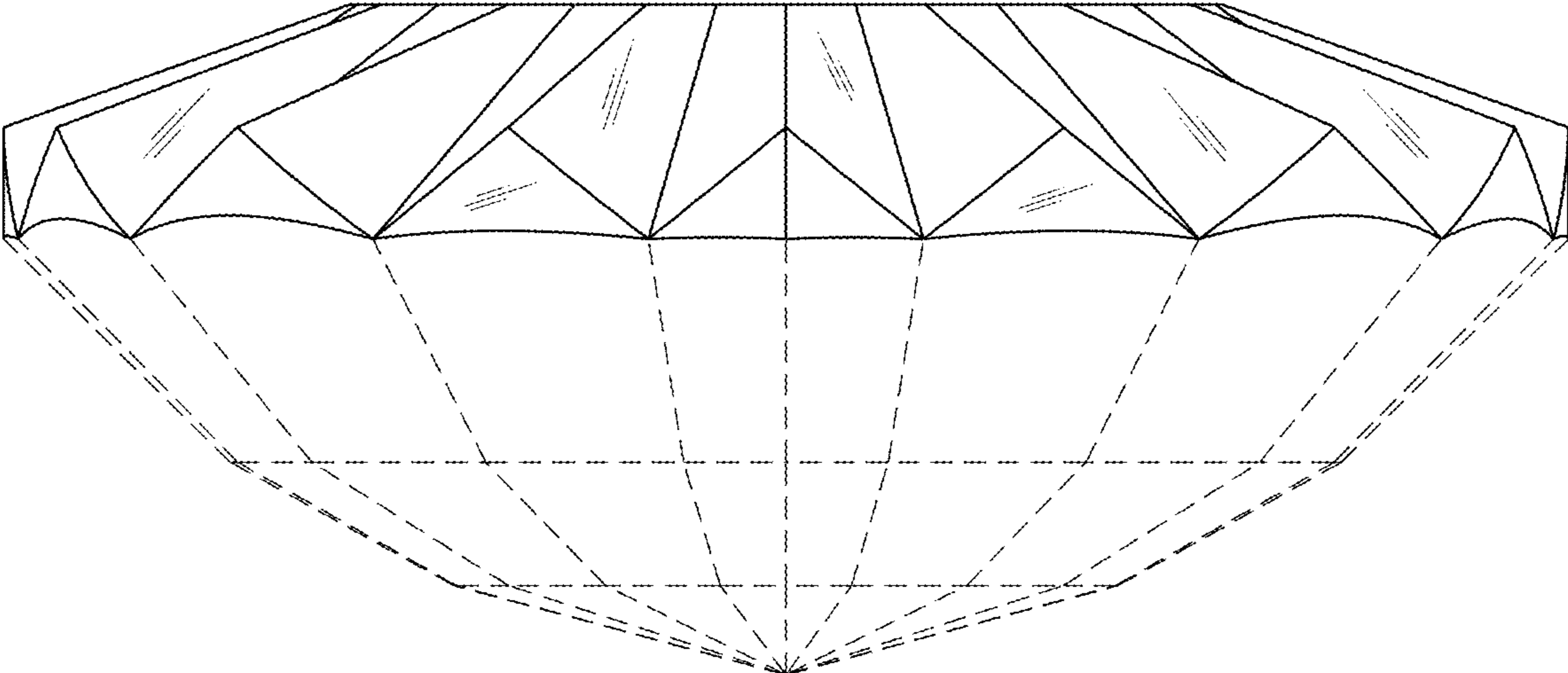


FIG. 5

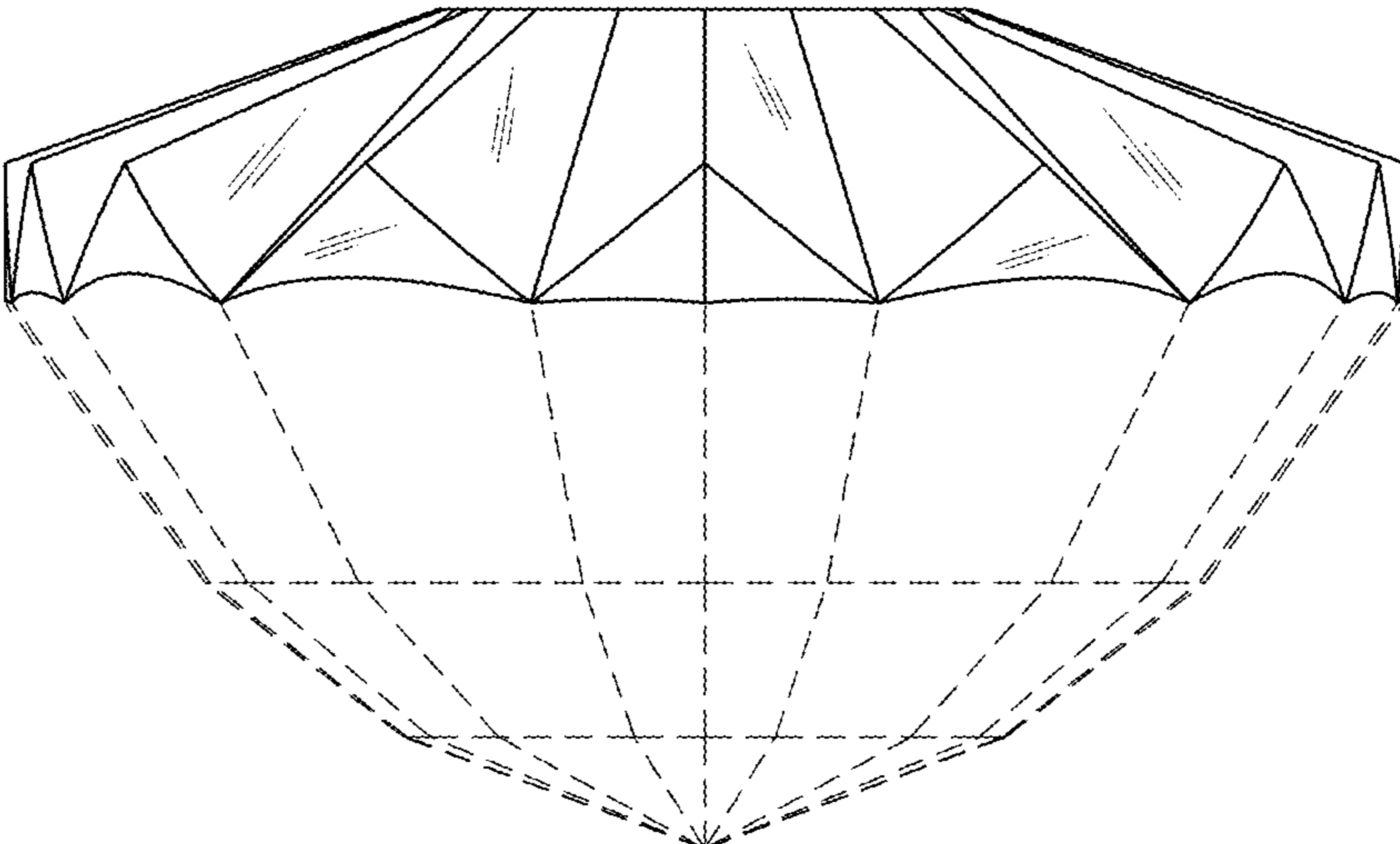


FIG. 6

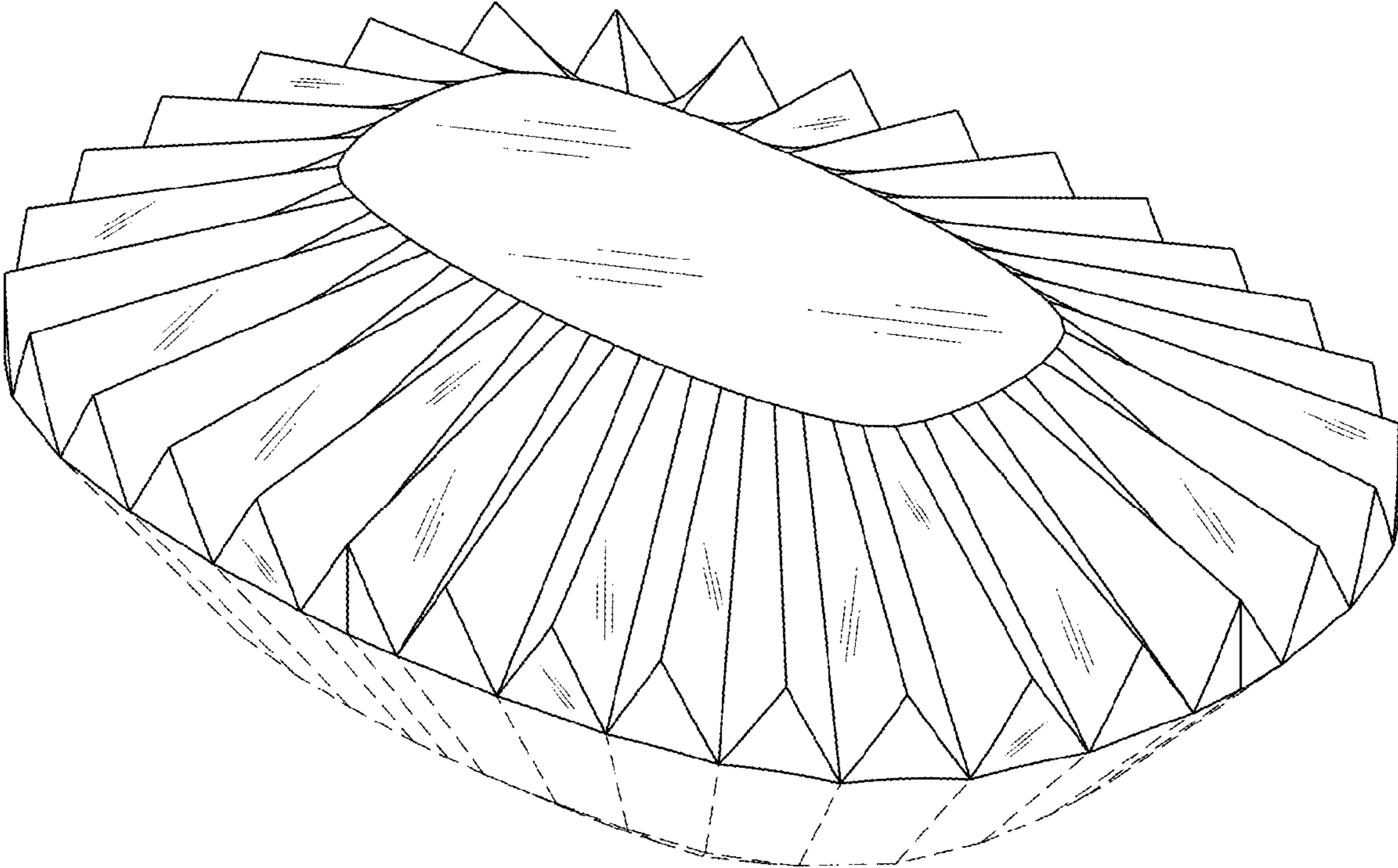


FIG. 7

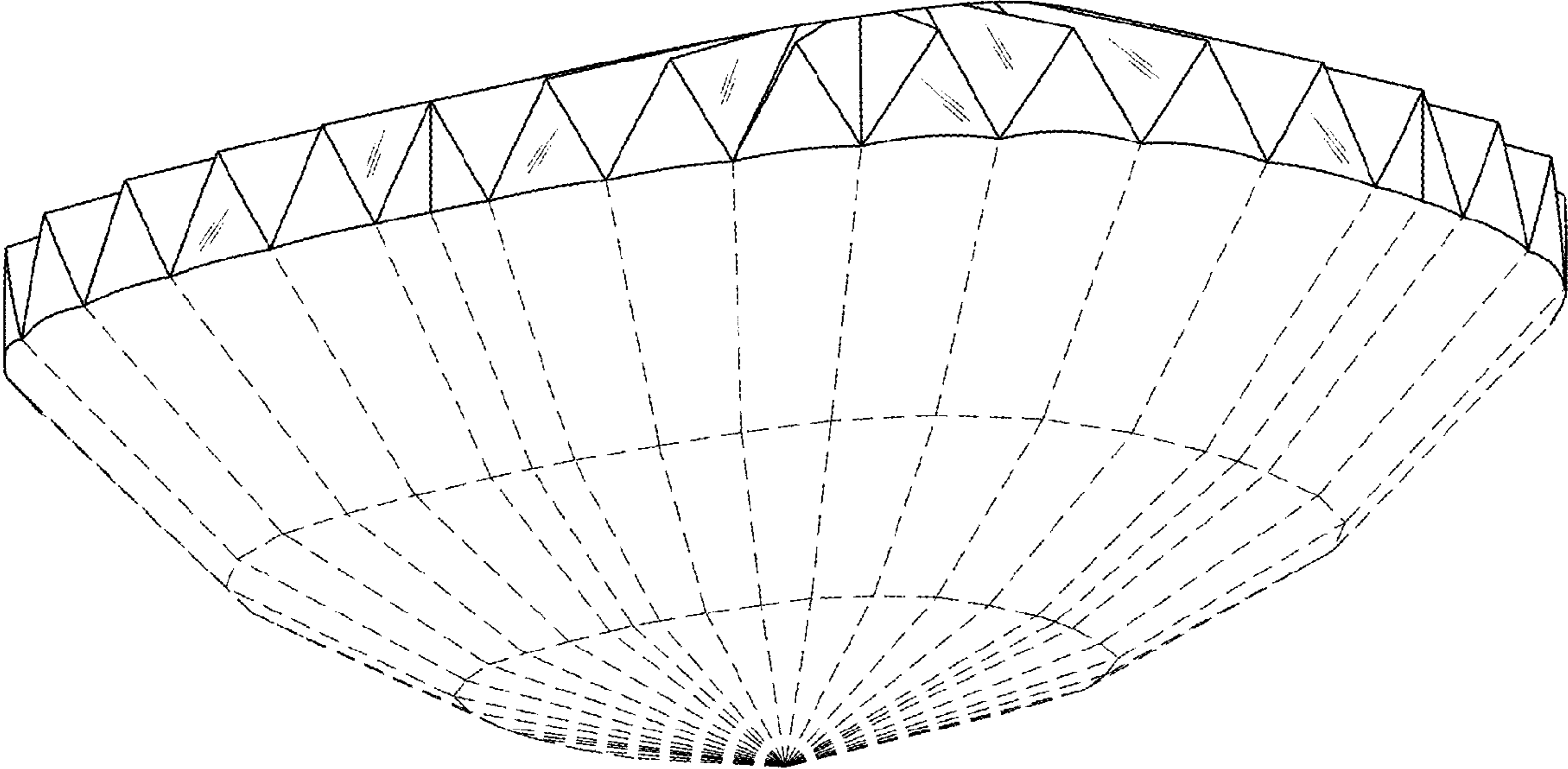


FIG. 8

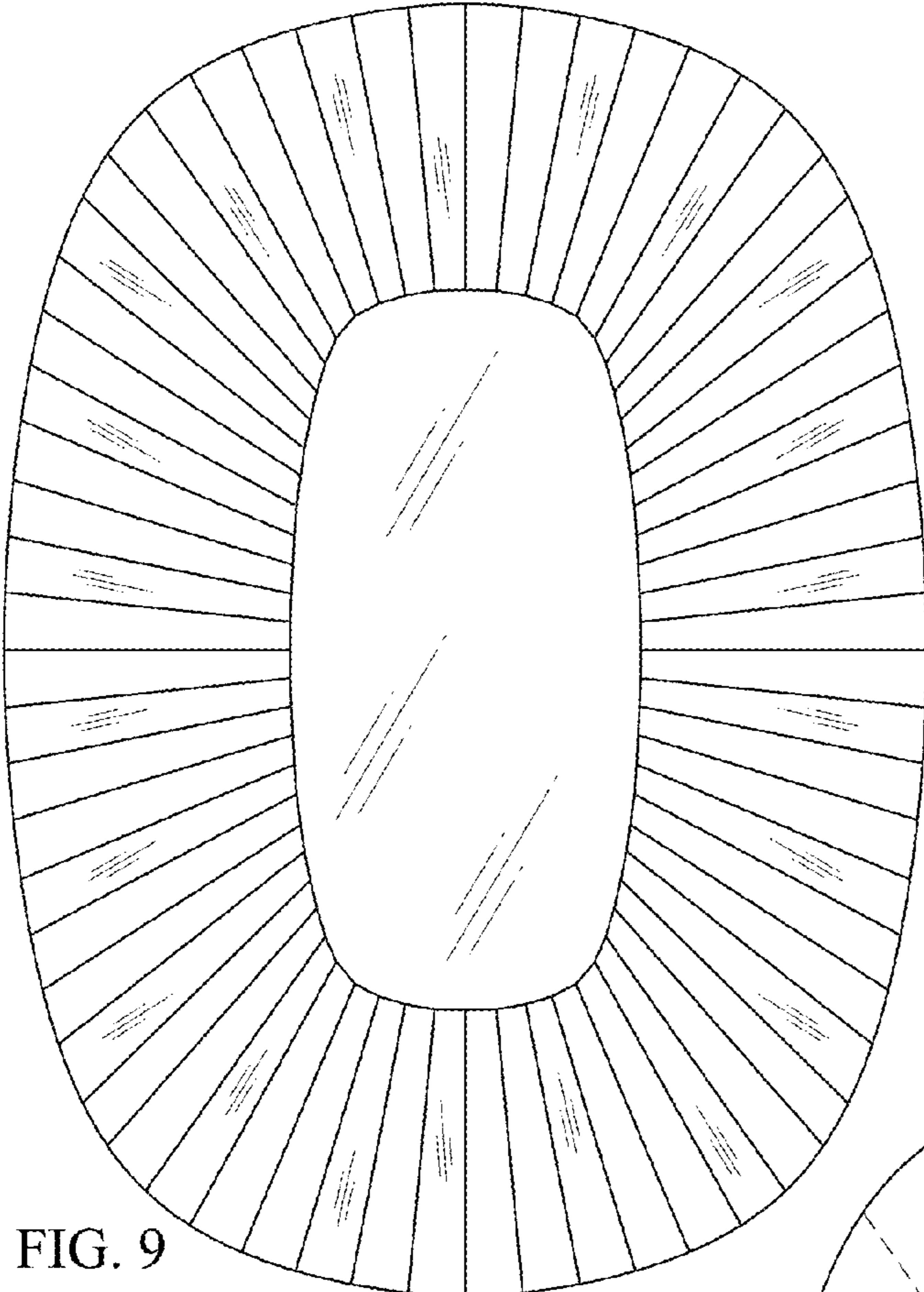


FIG. 9

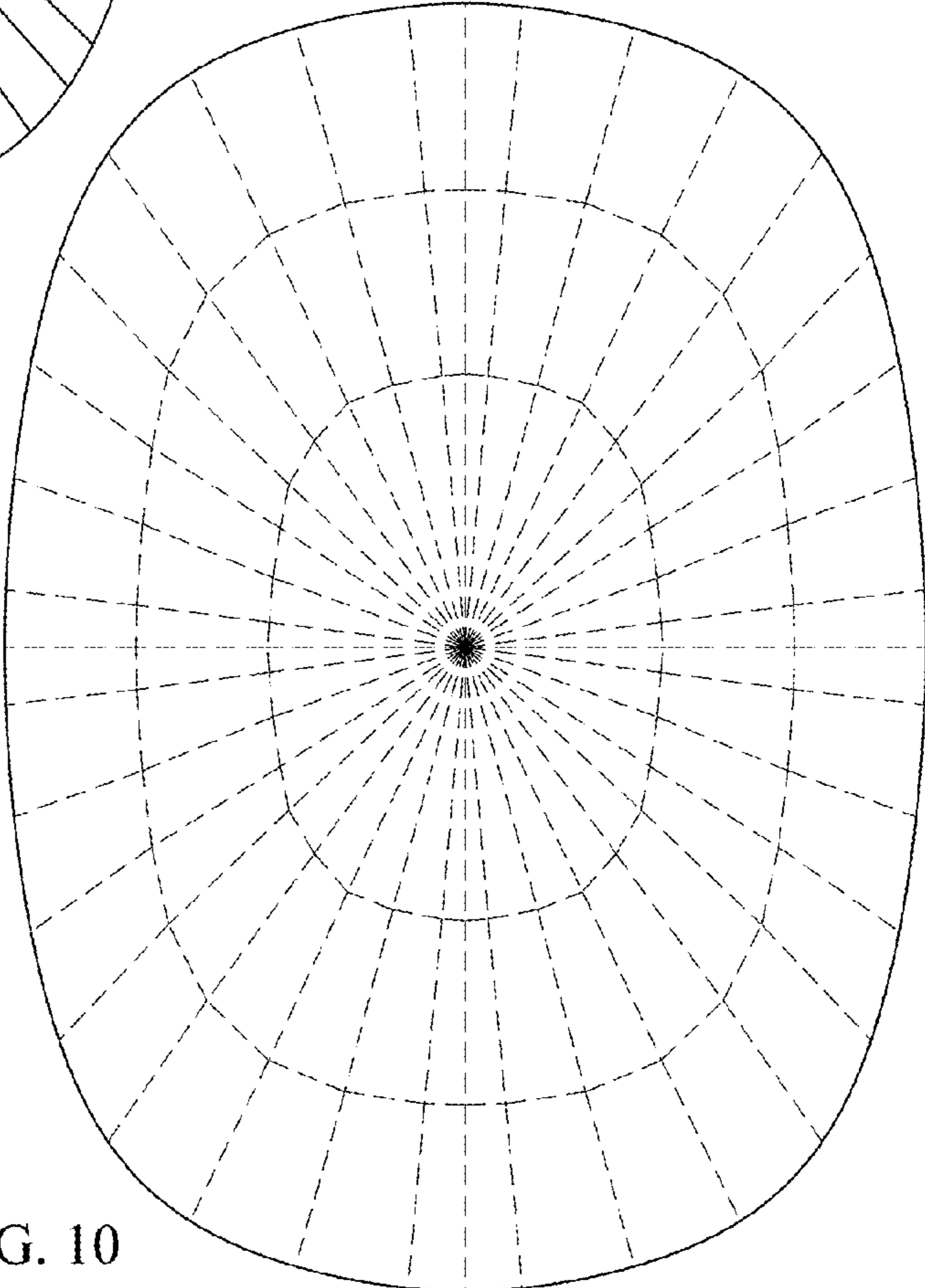


FIG. 10

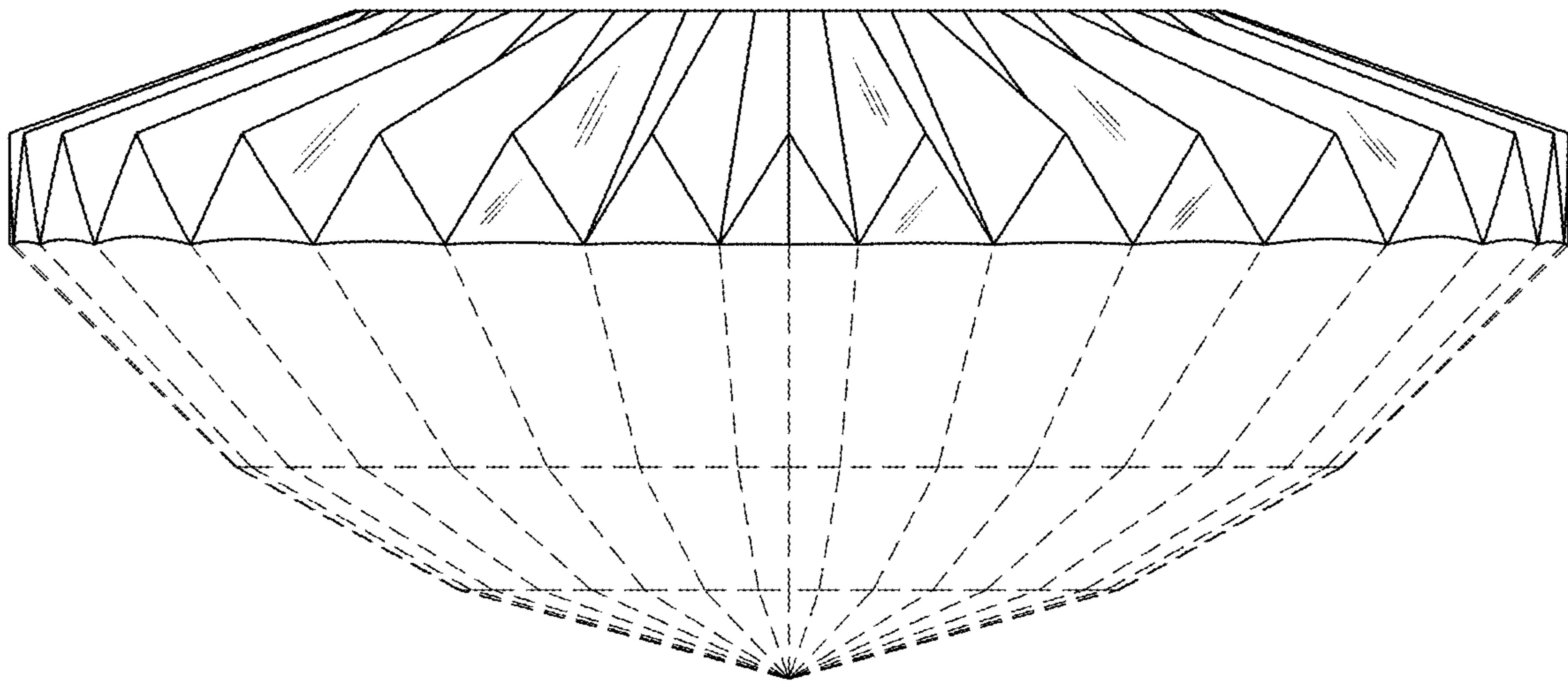


FIG. 11

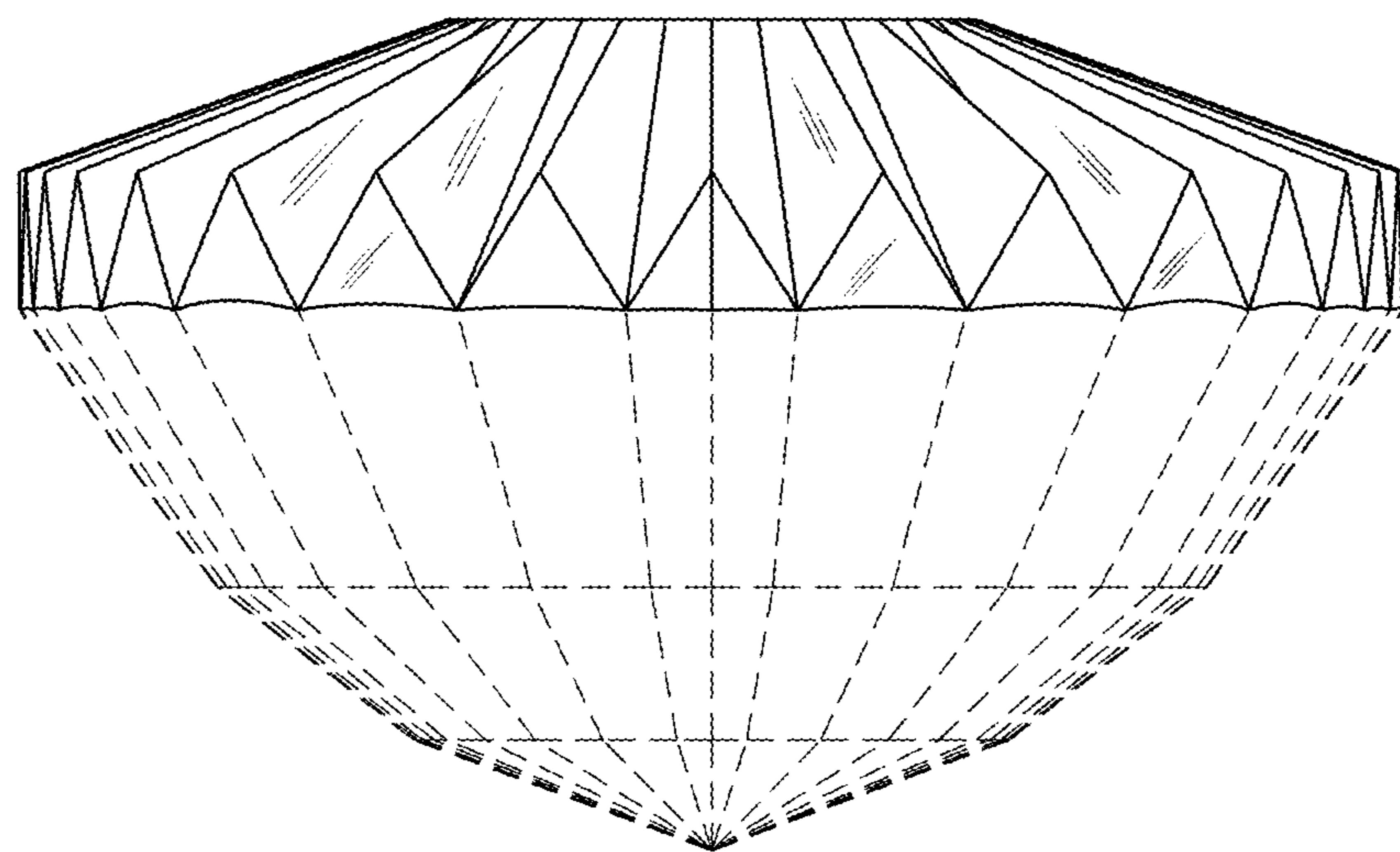


FIG. 12