



US00D953184S

(12) **United States Design Patent** (10) **Patent No.:** **US D953,184 S**
Aponte (45) **Date of Patent:** **** May 31, 2022**

(54) **INDICATOR LIGHT MODULE**
(71) Applicant: **Banner Engineering Corporation,**
Minneapolis, MN (US)
(72) Inventor: **Maximilian John Aponte,** Shakopee,
MN (US)
(73) Assignee: **BANNER ENGINEERING**
CORPORATION, Minneapolis, MN
(US)

D673,476 S * 1/2013 Clore D10/114.6
9,307,309 B2 * 4/2016 Feller F21S 8/08
D808,839 S * 1/2018 Moeller D10/114.1
10,127,779 B2 * 11/2018 Auer F21S 8/00
D876,267 S * 2/2020 Kuwano D10/114.1
D879,637 S * 3/2020 Solow D10/114.2
D898,599 S * 10/2020 Chen D10/109.2
D898,600 S * 10/2020 Baldwin D10/114.2
2003/0030567 A1 * 2/2003 Hetzel G08B 5/38
340/815.4
2015/0201261 A1 7/2015 Feller et al.

(**) Term: **15 Years**

DE 10 2011 080595 A1 2/2013

(21) Appl. No.: **29/707,322**

OTHER PUBLICATIONS

(22) Filed: **Sep. 27, 2019**

Extended European Search Report for Application No. 21174543.5 dated Jan. 28, 2022.

Related U.S. Application Data

TL70 Modular Tower Light Installation Tutorial, Banner Engineering, <https://www.youtube.com/watch?v=1KrZFTF5T1Q>, 2 pages (Oct. 20, 2014).

(63) Continuation of application No. 16/006,158, filed on Jun. 12, 2018, now Pat. No. 10,475,299, which is a continuation-in-part of application No. 14/803,619, filed on Jul. 20, 2015, now Pat. No. 9,997,031.

* cited by examiner

(51) **LOC (13) Cl.** **10-05**

Primary Examiner — George D. Kirschbaum

(52) **U.S. Cl.**
USPC **D10/114.1**

(74) *Attorney, Agent, or Firm* — Merchant & Gould P.C.

(58) **Field of Classification Search**
USPC D10/114.1, 114.2, 114.6, 109.2
CPC G08B 5/38; G08B 7/06; F21S 8/00; F21S
8/08; F21S 8/083
See application file for complete search history.

(57) **CLAIM**

The ornamental design for an indicator light module, as shown and described.

(56) **References Cited**

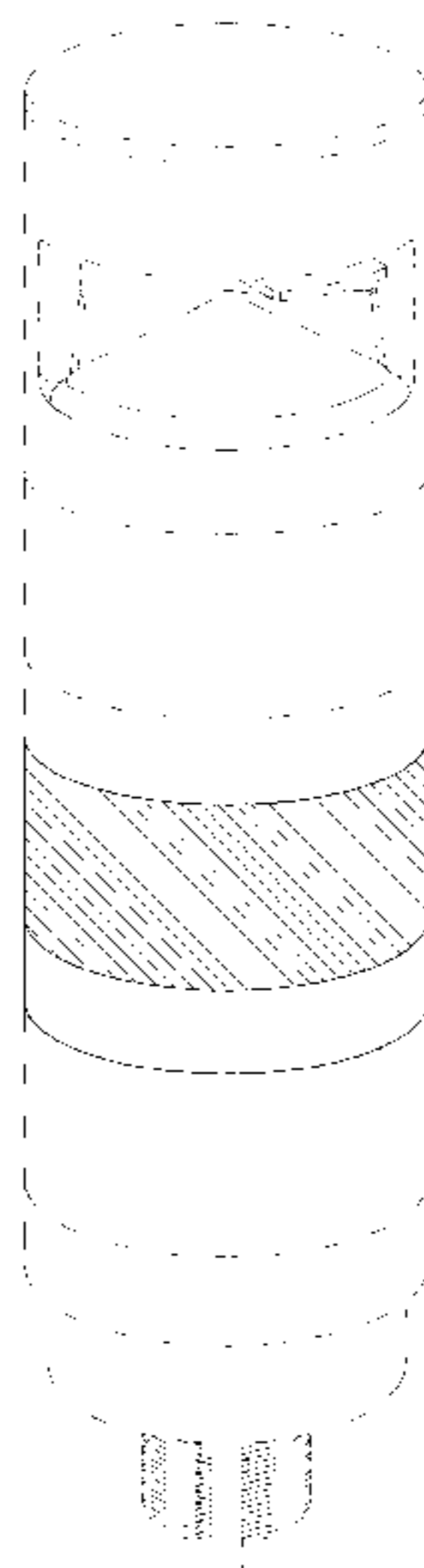
DESCRIPTION

U.S. PATENT DOCUMENTS

D322,584 S * 12/1991 Kawashima D10/114.6
6,135,612 A * 10/2000 Clore F21S 8/083
362/184
D439,858 S * 4/2001 Decosse D10/114.6
6,384,735 B1 5/2002 Babou et al.
D557,159 S * 12/2007 Sasaki D10/114.6
7,880,637 B2 * 2/2011 Weiss G08B 7/06
340/815.45
D673,475 S * 1/2013 Di Giovine D10/114.2

FIG. 1 is a perspective view of an indicator light module; FIG. 2 is a front elevational view thereof; FIG. 3 is a second perspective view thereof; and, FIG. 4 is a front elevational view thereof. The broken line showing is included for the purpose of illustrating portions of the “article” and forms no part of the claimed design.

1 Claim, 4 Drawing Sheets



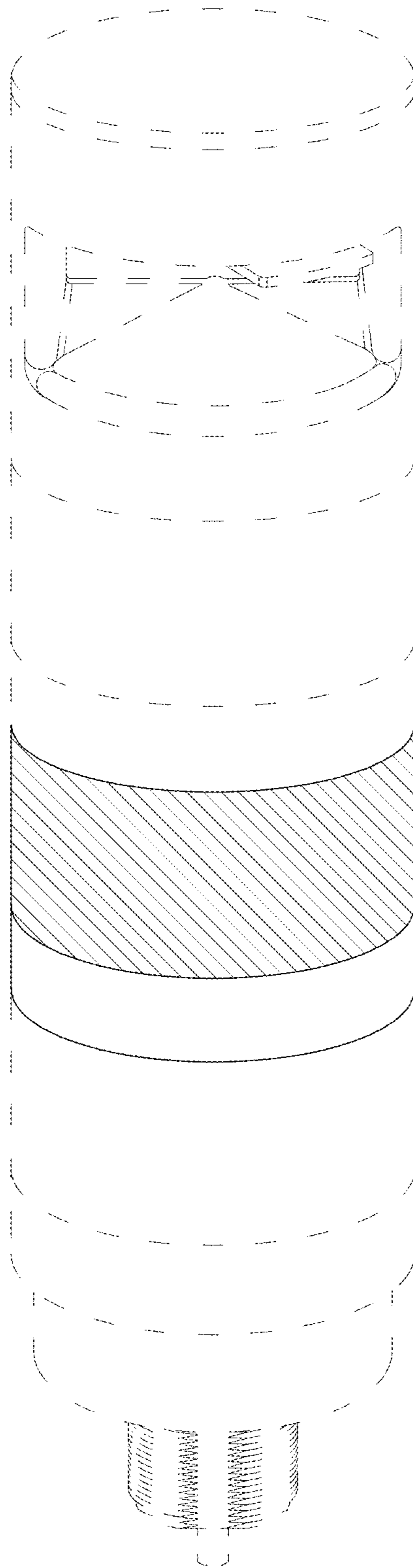


FIG. 1

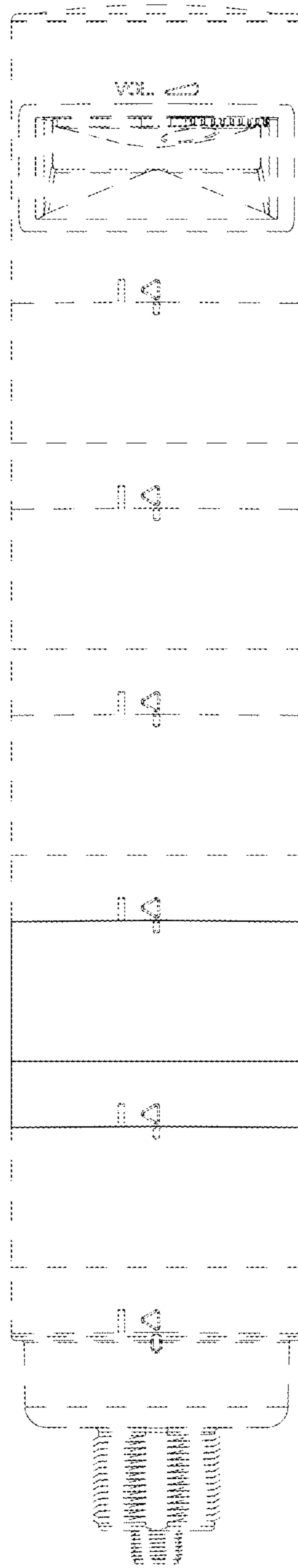


FIG. 2

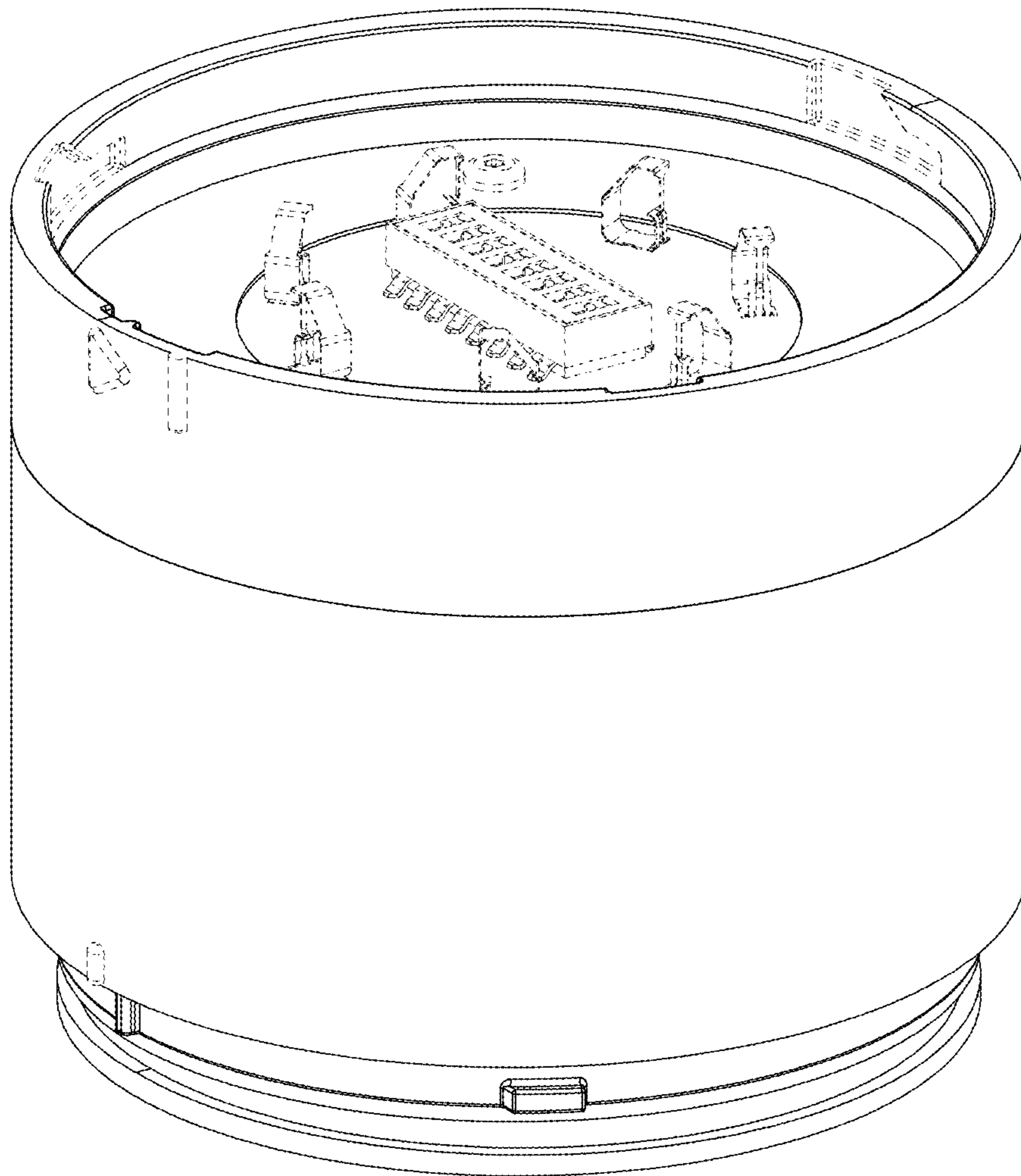


FIG. 3

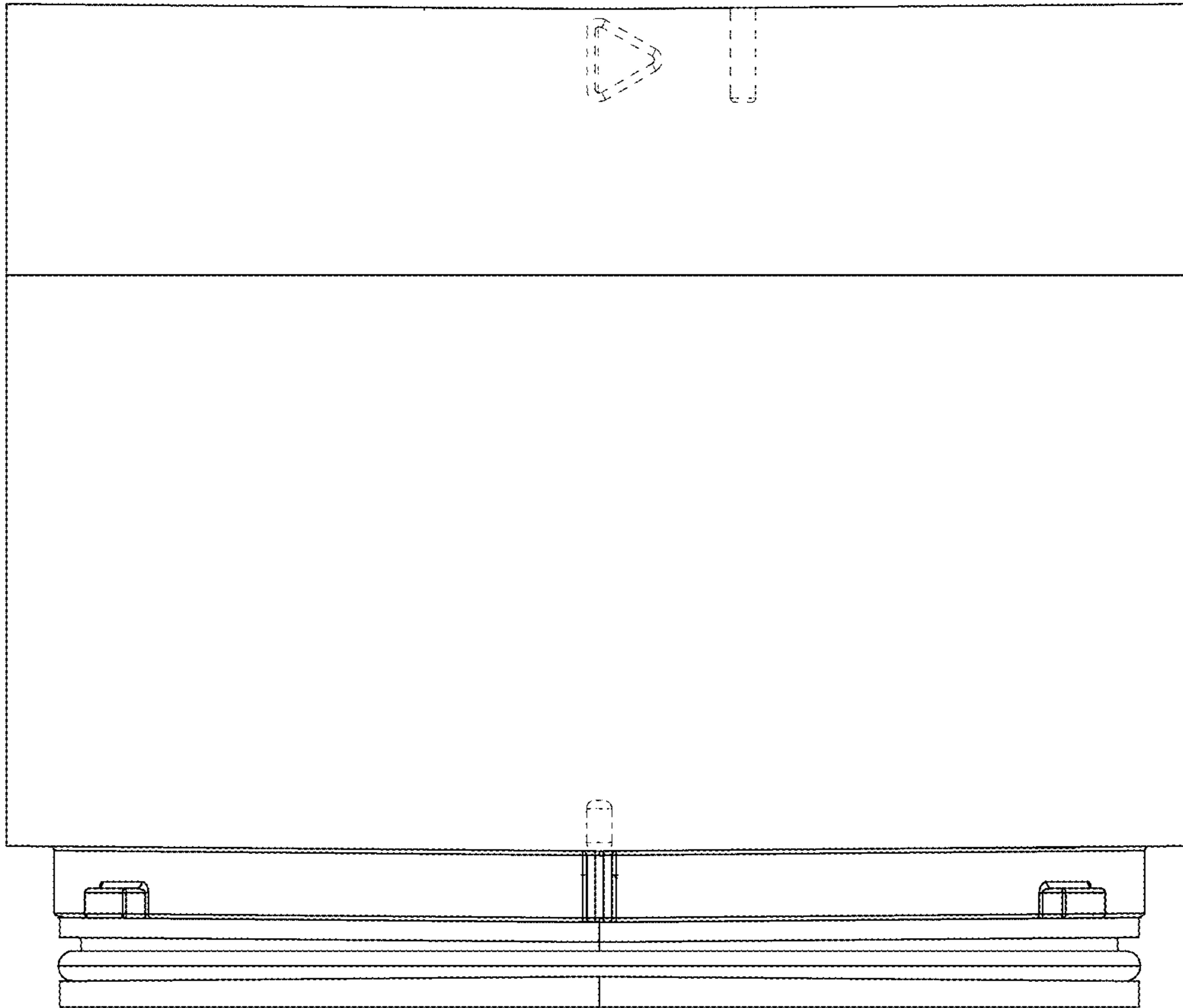


FIG. 4