



US00D953182S

(12) **United States Design Patent** (10) **Patent No.:** **US D953,182 S**
Elizalde (45) **Date of Patent:** **** May 31, 2022**

(54) **LIQUID FLOW INDICATOR**
(71) Applicant: **Juan Carlos Elizalde**, Perris, CA (US)
(72) Inventor: **Juan Carlos Elizalde**, Perris, CA (US)
(**) Term: **15 Years**
(21) Appl. No.: **29/712,862**
(22) Filed: **Nov. 12, 2019**
(51) **LOC (13) Cl.** **10-04**
(52) **U.S. Cl.**
USPC **D10/96**
(58) **Field of Classification Search**
USPC D10/96-103, 46, 47; D3/304; D6/525,
D6/537
CPC G01F 1/06; G01F 1/08; G01F 1/26; G01F
23/02; G01F 1/28; G01F 1/05; G01F
15/06; G01F 23/0015; G01F 1/22; B60P
3/228;

(Continued)

(56) **References Cited**

U.S. PATENT DOCUMENTS

4,149,411 A * 4/1979 Fisher G01F 1/28
73/198
4,186,599 A * 2/1980 Frick G01F 1/3218
73/861.28

(Continued)

FOREIGN PATENT DOCUMENTS

CN 300849616 * 11/2007
CN 301290168 * 12/2009

(Continued)

OTHER PUBLICATIONS

Thermaltake Store,A Pacific Flow Indicator, Date first available
May 10, 2017,[online]retrieved Sep. 2, 2021,available from https://
www.amazon.com/Thermaltake-CL-W106-PL00BL-Pacific-Indicator-

Cooling/dp/B01LWWWSKW/ref=sr_1_1_sspa?dchild=1&keywords=
LIQUID+FLOW+INDICATOR&qid=1630591448&sr=8-1-spons
(Year: 2017).*

(Continued)

Primary Examiner — Keli L Hill

Assistant Examiner — Sara S Sahneh

(74) *Attorney, Agent, or Firm* — Grant’s Law Firm; Allen
Grant

(57) **CLAIM**

The ornamental design for a liquid flow indicator, as shown
and as described.

DESCRIPTION

FIG. 1 is a perspective view of the liquid flow indicator
showing a sight glass and a flange, which is bent to hold an
unclaimed indicator object.

FIG. 2 is the front view of the liquid flow indicator.

FIG. 3 is a back view of the liquid flow indicator.

FIG. 4 is a side view of the liquid flow indicator.

FIG. 5 is the other side view of the liquid flow indicator.

FIG. 6 is a top view of the liquid flow indicator.

FIG. 7 is bottom view of the liquid flow indicator.

FIG. 8 is a side view of the liquid flow indicator positioned
inside a “Fuel Delivery Adapter”.

FIG. 9 is a front perspective view of the liquid flow indicator
positioned inside a “Fuel Delivery Adapter”.

FIG. 10 is a top view of the liquid flow indicator positioned
inside a “Fuel Delivery Adapter”.

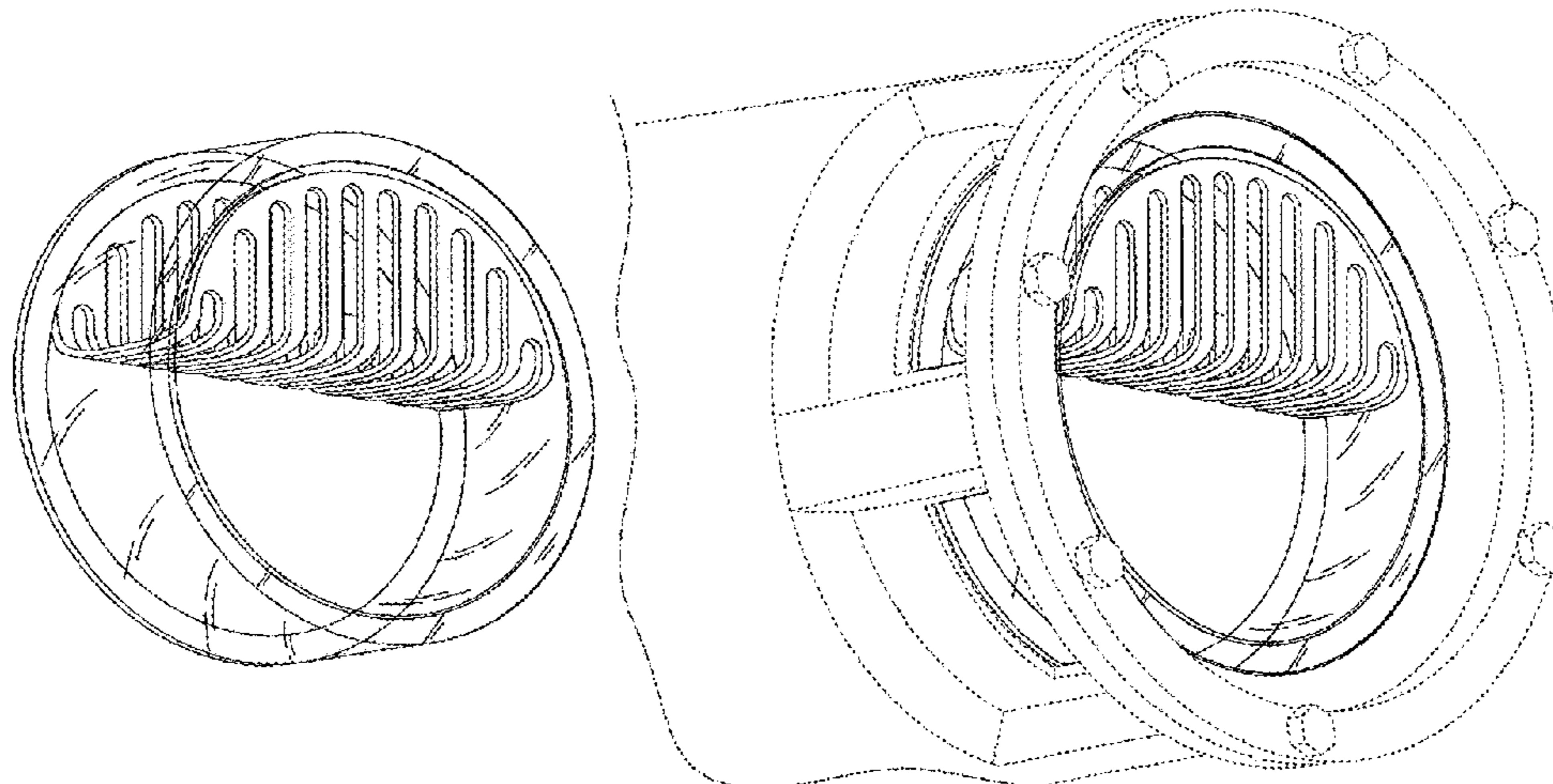
FIG. 11 is a side view of the liquid flow indicator positioned
inside a “Flange Sight View Adapter”.

FIG. 12 is a front perspective view of the liquid flow
indicator positioned inside a “Flange Sight View Adapter”;
and,

FIG. 13 is a top view of the liquid flow indicator positioned
inside a “Flange Sight View Adapter”.

The broken lines showing the of indicator objects in FIGS.
1-13, the Fuel Delivery Adaptor in FIGS. 8-10, and the
Flange Sight View Adaptor in FIGS. 11-13, are included for

(Continued)



the purpose of illustrating environmental structures of liquid flow indicator that form no part of the claim.

1 Claim, 11 Drawing Sheets

(58) Field of Classification Search

CPC B60P 3/2265; G01P 5/24; G01P 15/00;
 G01P 1/06; G01L 19/0023; G01L 19/143;
 G01L 19/0092; G01L 19/086; G01K
 13/00; G01K 1/024; G05D 7/0635; H04L
 2012/2841; H04L 12/2827; H04L
 2012/285

See application file for complete search history.

(56) References Cited

U.S. PATENT DOCUMENTS

4,745,877 A * 5/1988 Chang G01F 1/06
 116/273
 5,577,538 A * 11/1996 Sunderhaus B67D 7/56
 141/94
 6,666,238 B1 * 12/2003 Crowley B60K 15/04
 141/286
 D787,997 S * 5/2017 Baiz D12/192

D822,168 S * 7/2018 Nelli D23/233
 D867,914 S * 11/2019 Matusik D10/96
 D900,657 S * 11/2020 Kim D10/96
 2010/0307262 A1* 12/2010 Lewicke G01F 1/3263
 73/861.22
 2019/0186649 A1* 6/2019 Warren G05D 7/0605
 2019/0212180 A1* 7/2019 Stetsenko G01F 1/66
 2020/0292369 A1* 9/2020 Elizalde G01F 1/26

FOREIGN PATENT DOCUMENTS

IL	54691	* 10/2013
JP	D1343368	* 3/2008
KR	300638179.0000	* 10/2010
KR	300769094.0000	* 10/2013
SG	U20041639E-0001	* 9/1989

OTHER PUBLICATIONS

Fosa Store, Flow Meter Indicator, Date first available Mar. 27, 2018, [online] retrieved Sep. 1, 2021, available from https://www.amazon.com/fosa-Indicator-Threaded-Impeller-Computer/dp/B07BQV4QS5/ref=sxin_13_pa_sp_search_thematic_sspa?cv_ct_cx=LIQUID%2BFLOW%2BINDICATOR&dchild=1&keywo (Year: 2018).*

* cited by examiner

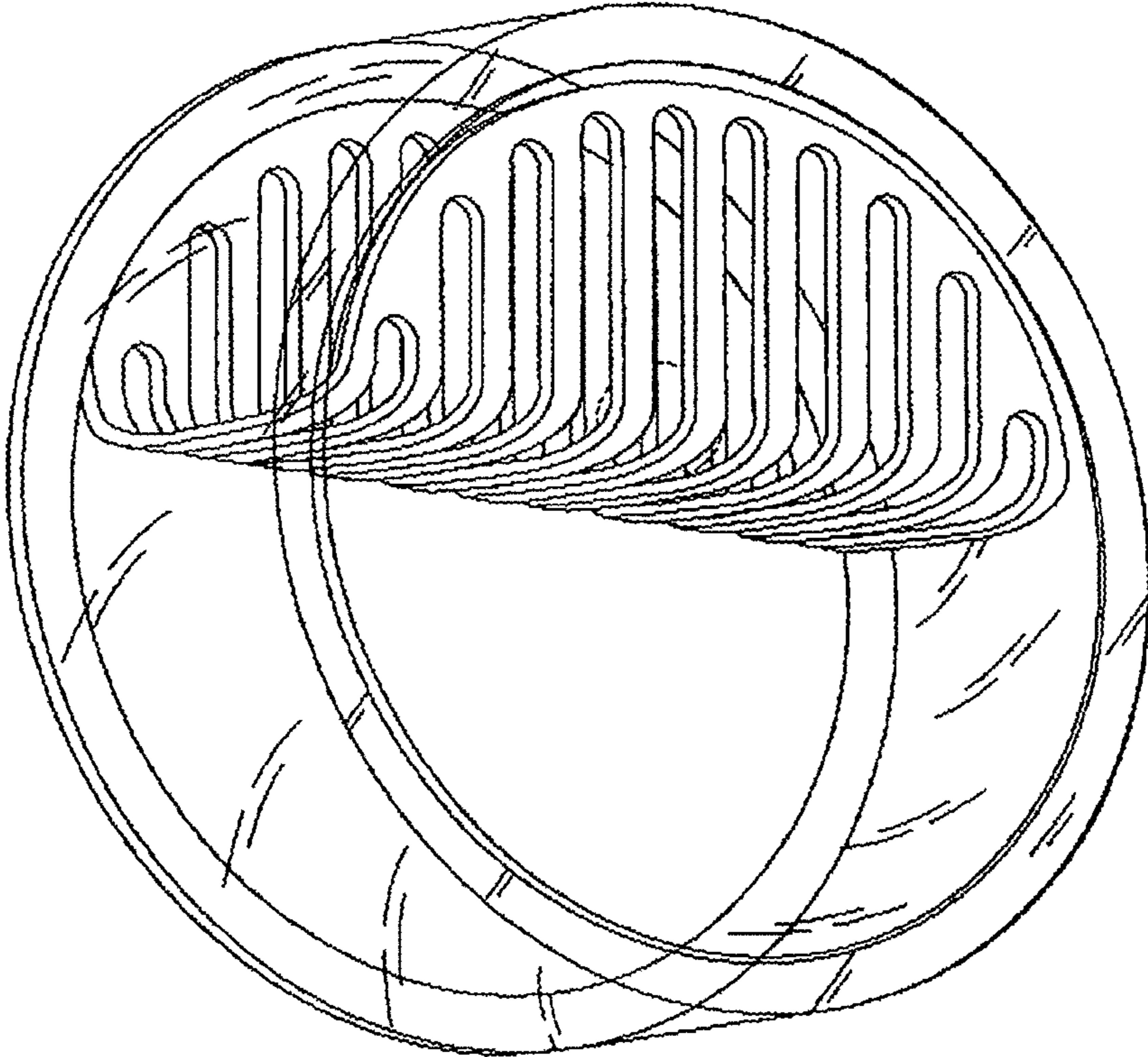


Fig. 1

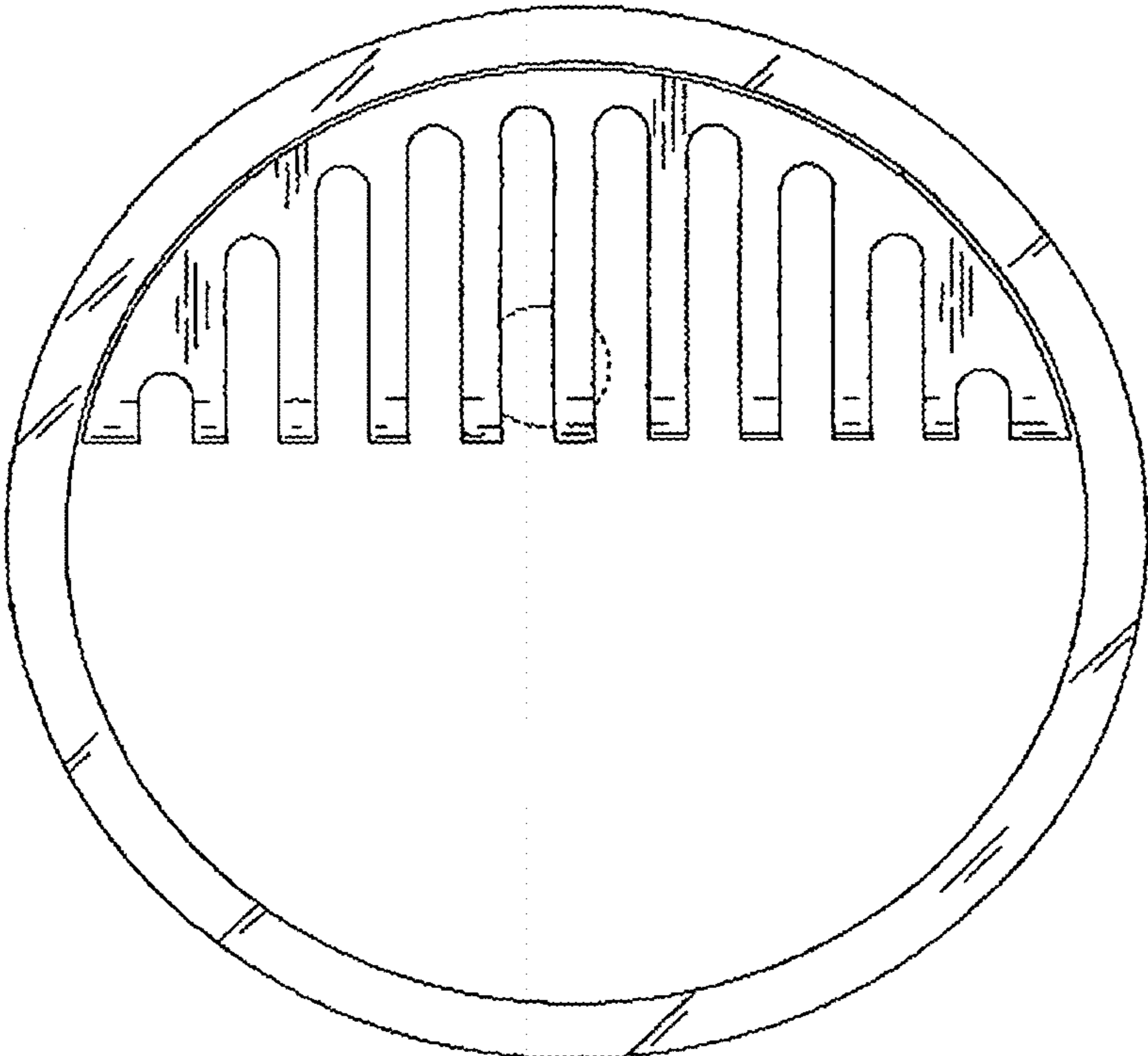


Fig. 2

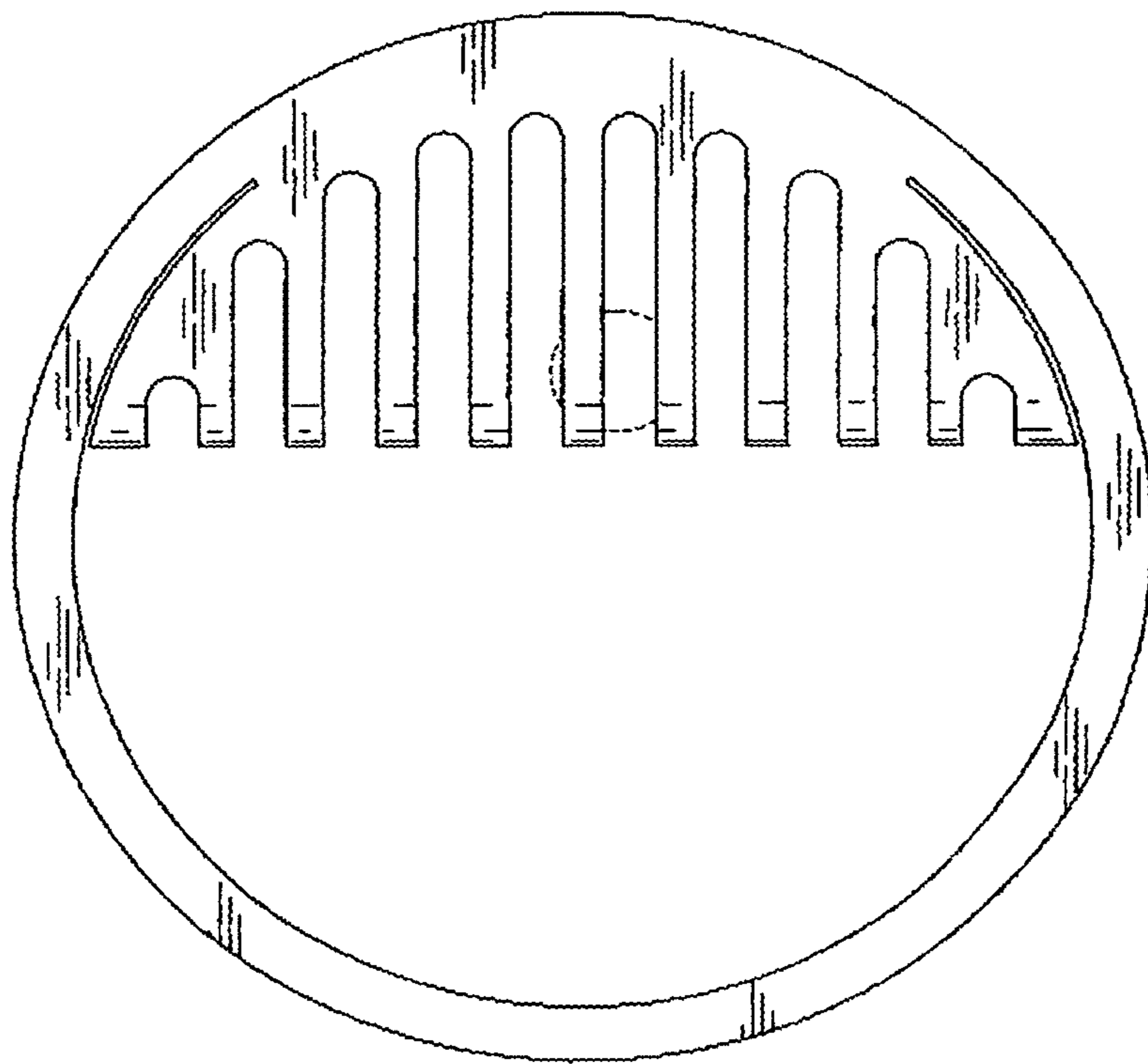


Fig. 3

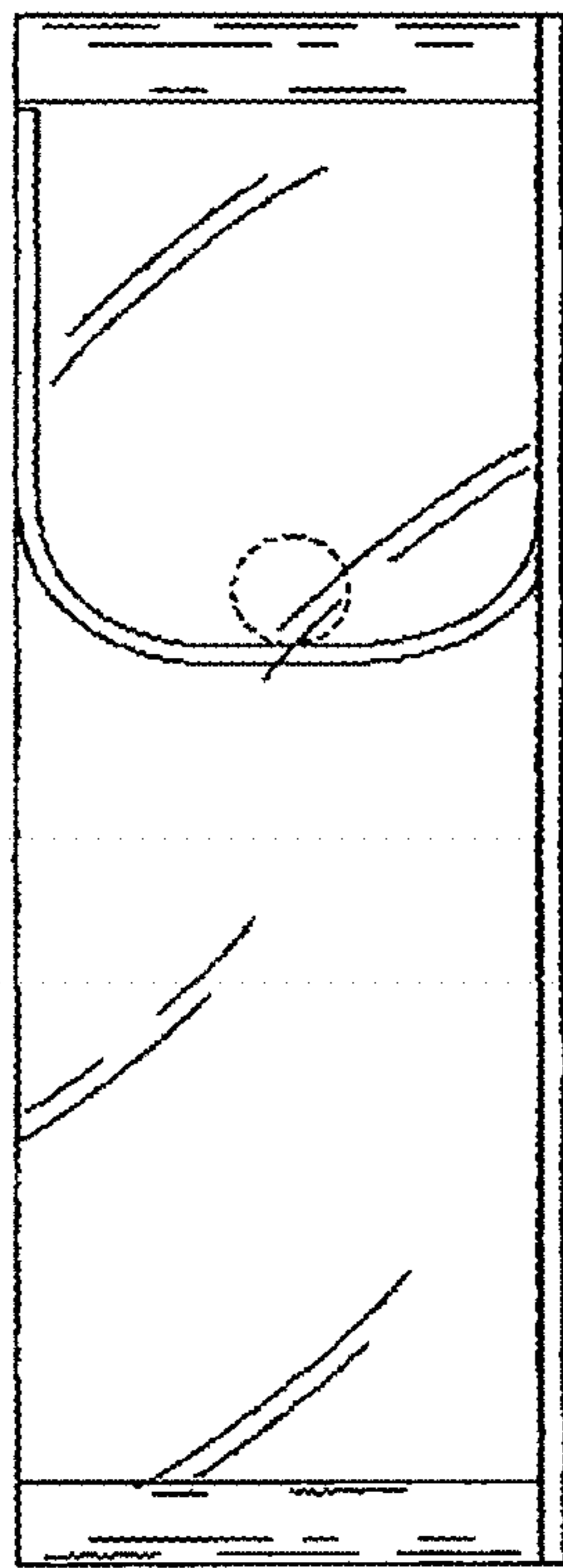


Fig. 4

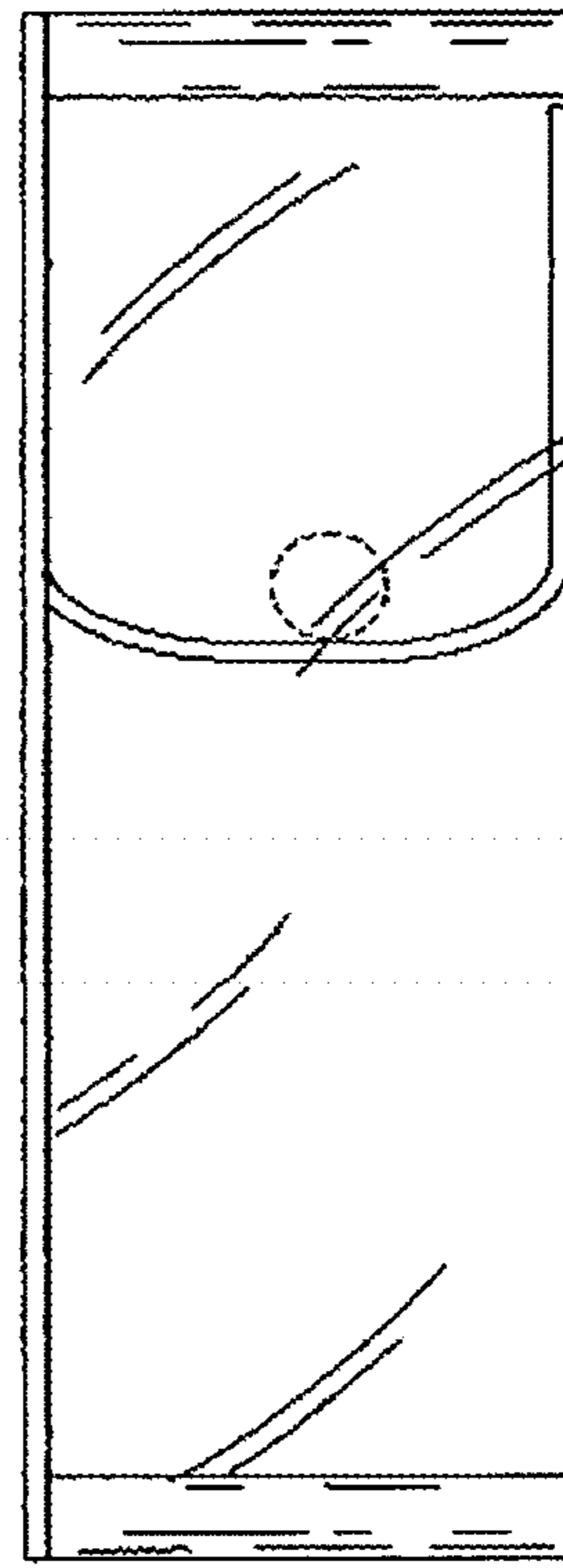


Fig. 5

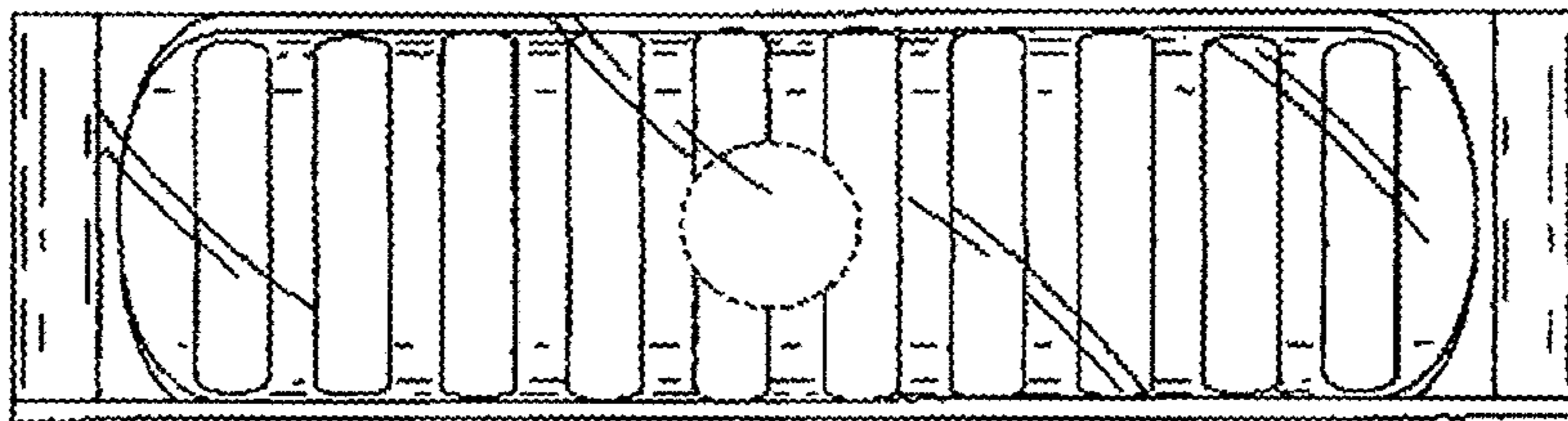


Fig. 6

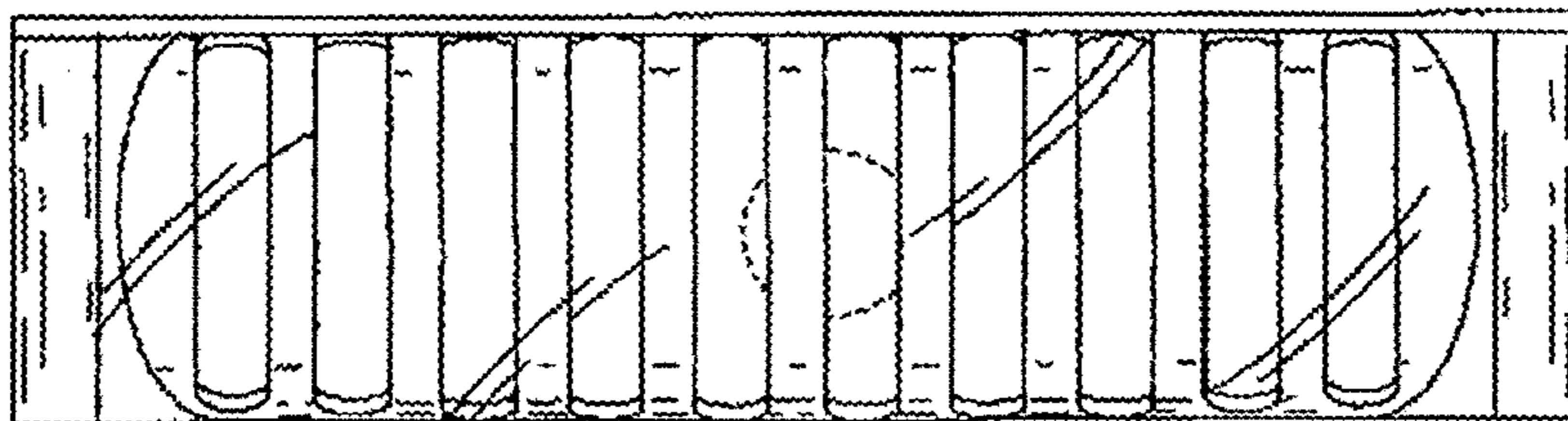


Fig. 7

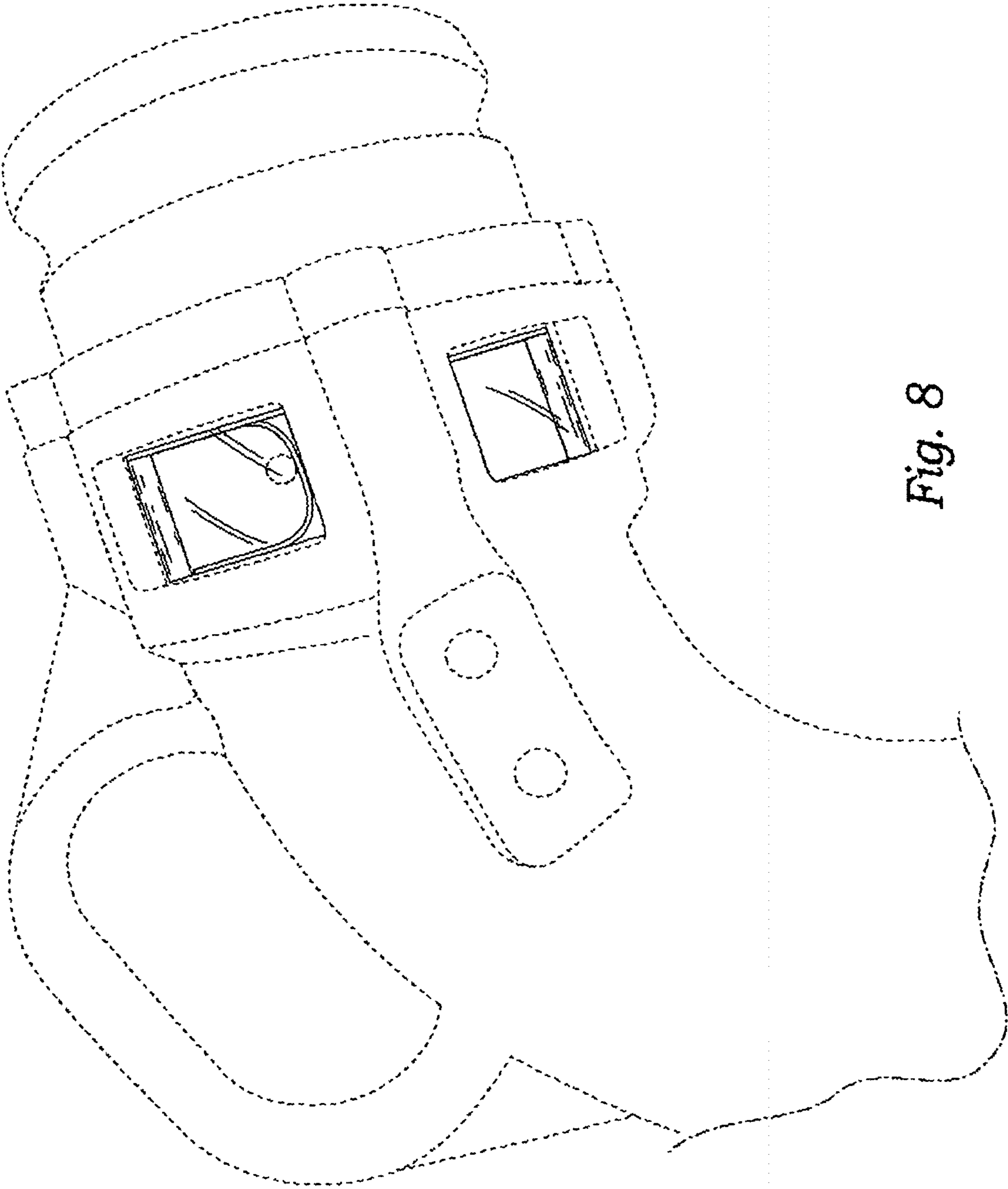


Fig. 8

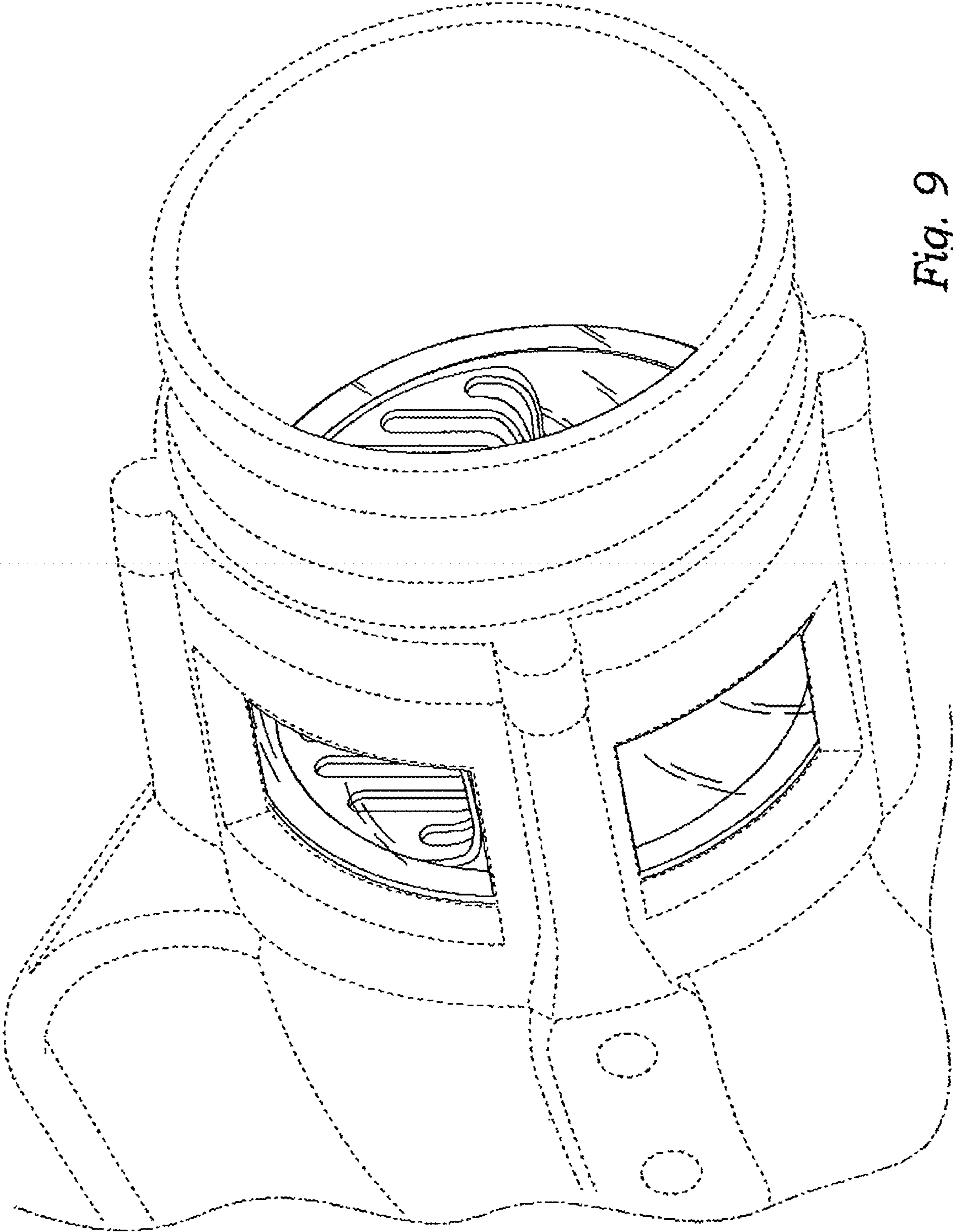


Fig. 9

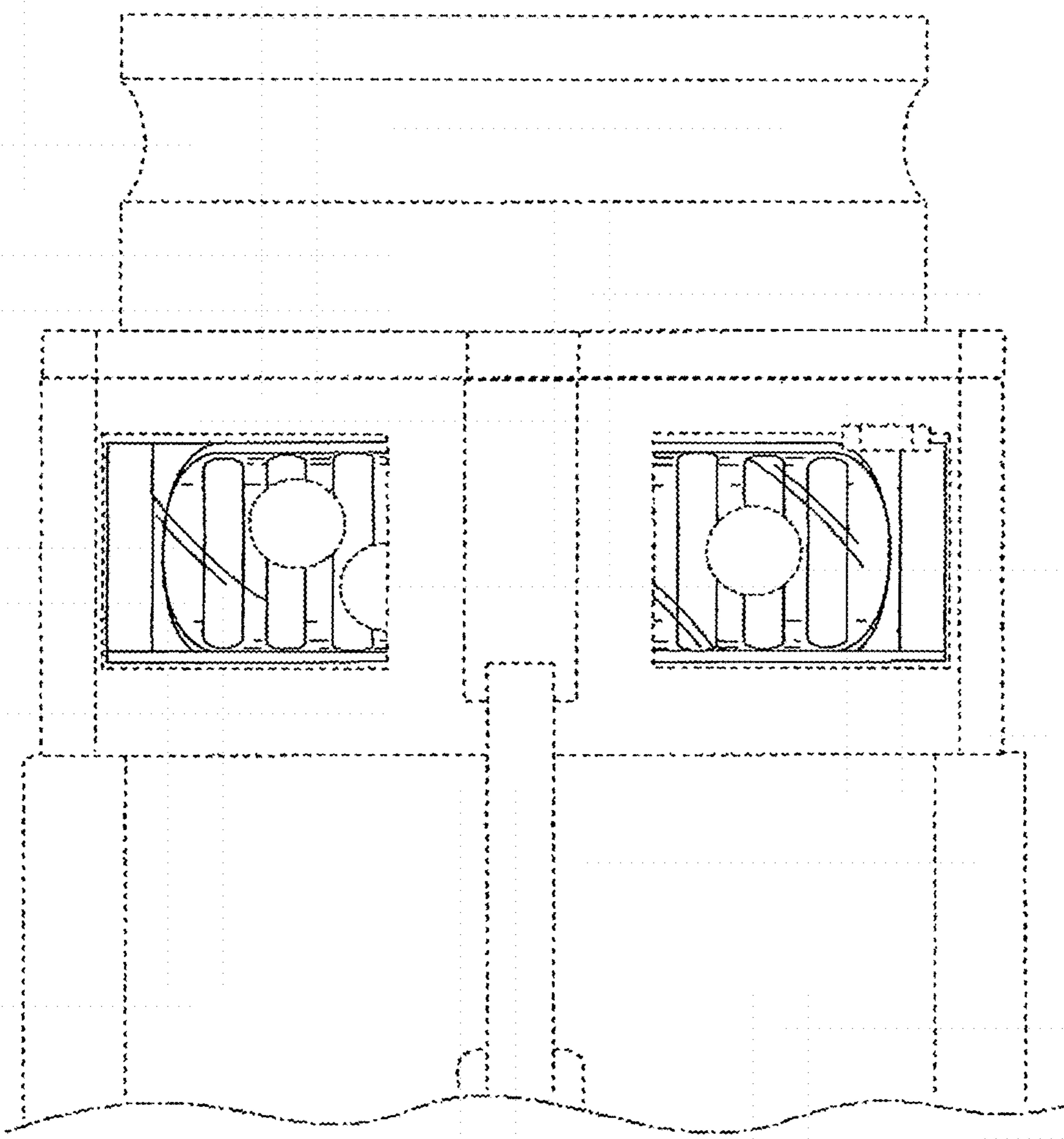


Fig. 10

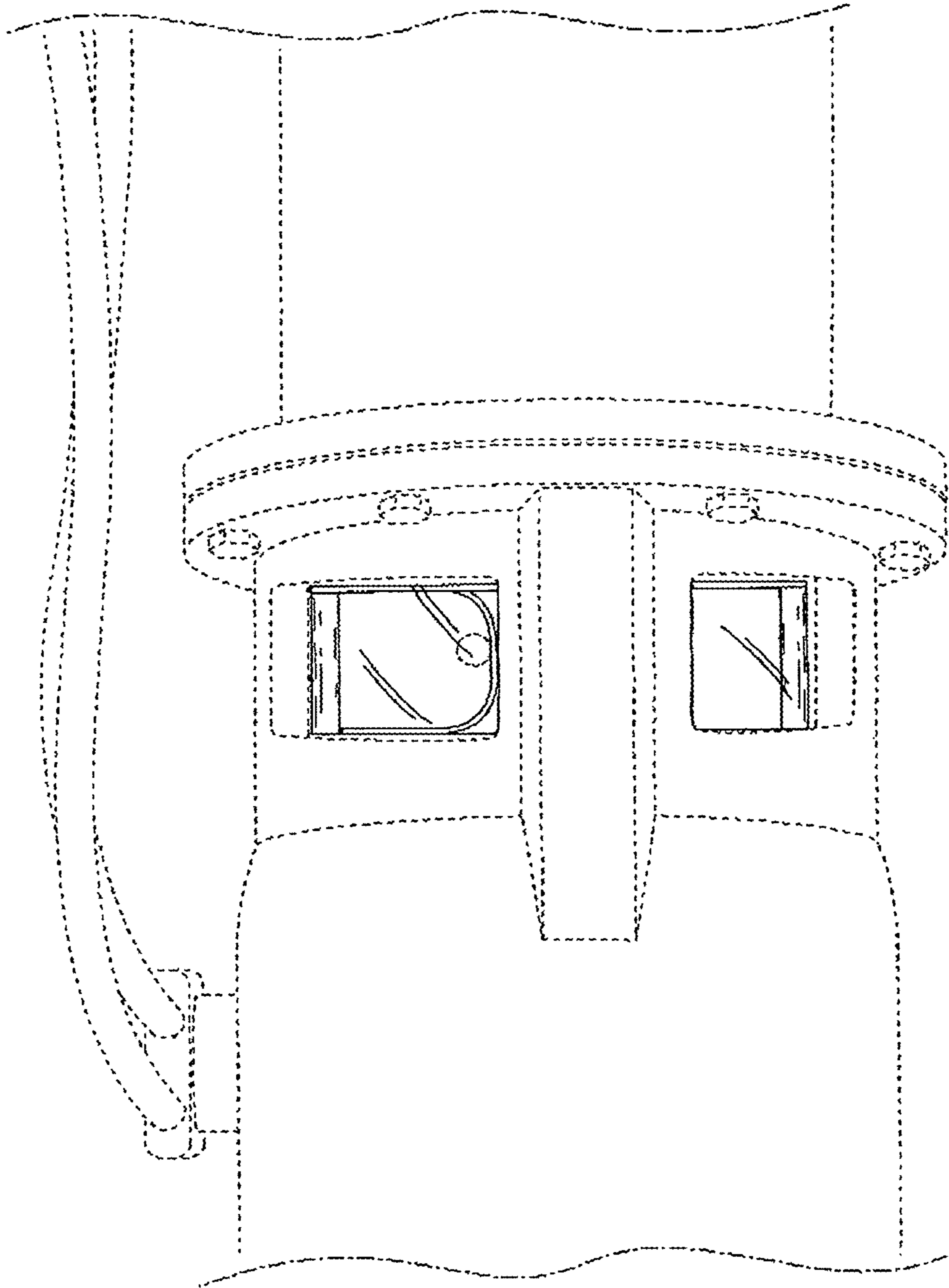


Fig. 11

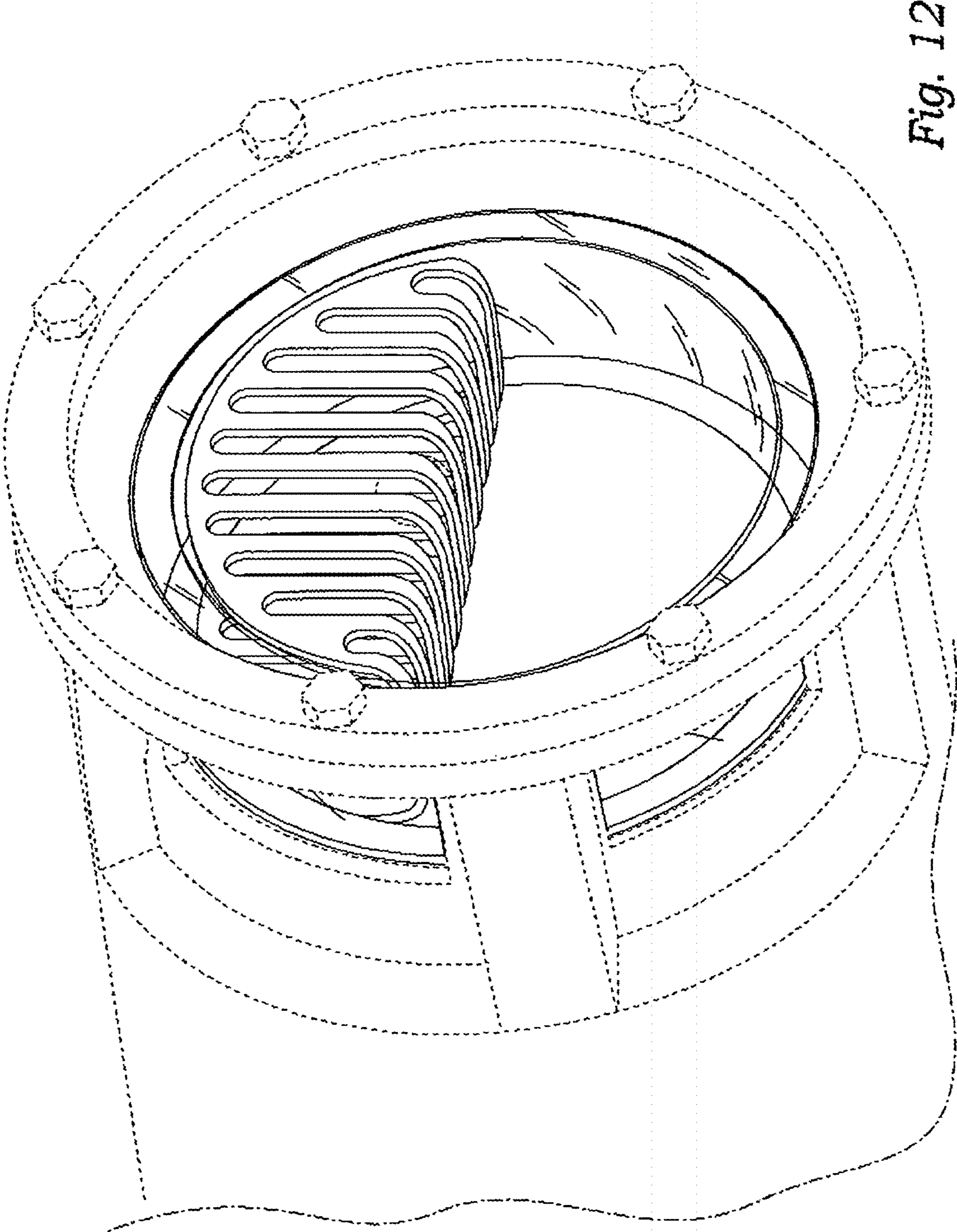


Fig. 12

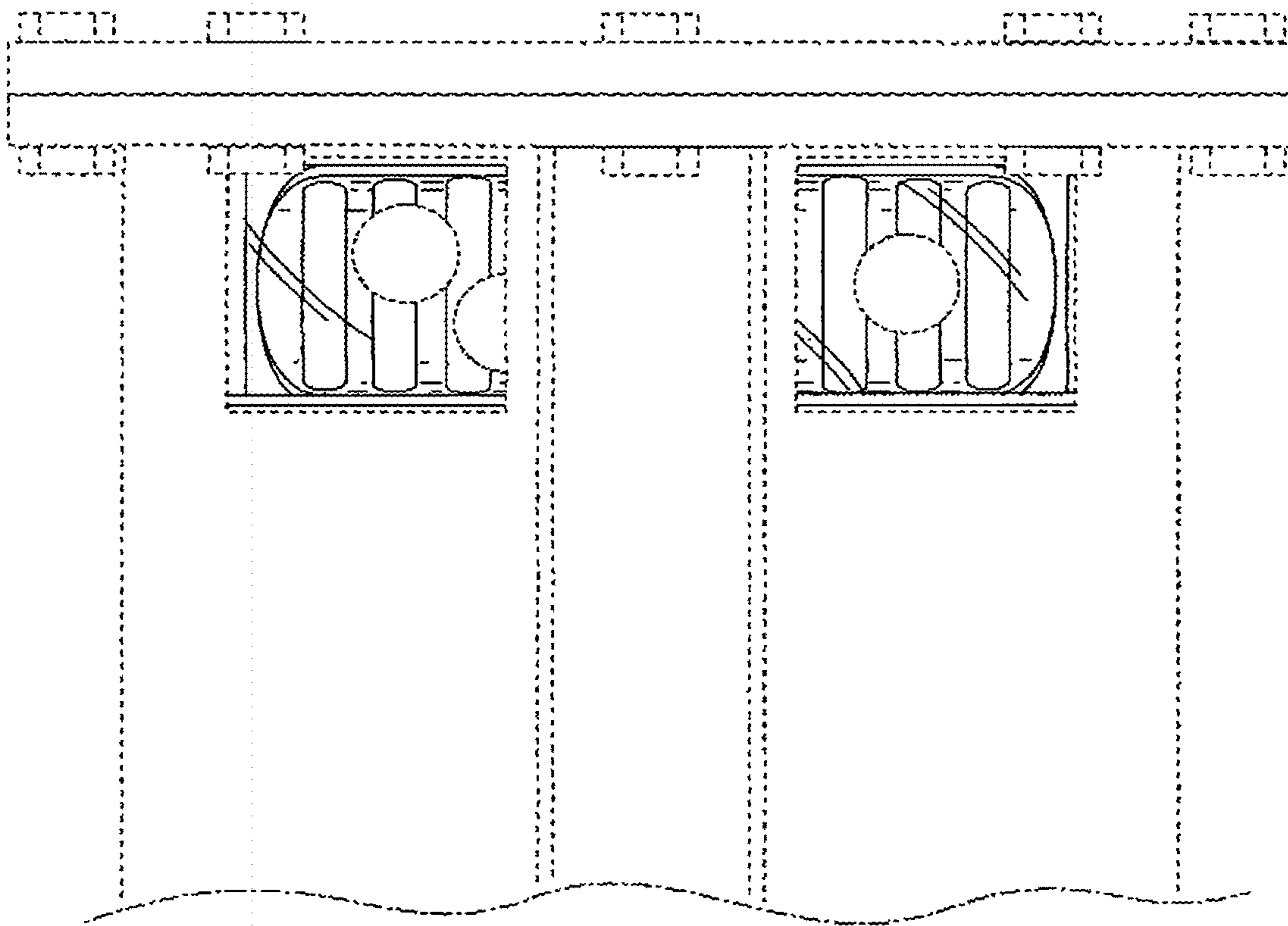


Fig. 13