



US00D953181S

(12) **United States Design Patent**
Cha

(10) **Patent No.:** **US D953,181 S**

(45) **Date of Patent:** **** May 31, 2022**

(54) **BODY WATER MEASURER**

(71) Applicant: **InBody Co., Ltd.**, Seoul (KR)

(72) Inventor: **Ki Chul Cha**, Seoul (KR)

(73) Assignee: **InBody Co., Ltd.**, Seoul (KR)

(**) Term: **15 Years**

(21) Appl. No.: **29/707,816**

(22) Filed: **Oct. 1, 2019**

(30) **Foreign Application Priority Data**

Apr. 2, 2019 (KR) 30-2019-0015440

(51) **LOC (13) Cl.** **10-04**

(52) **U.S. Cl.**
USPC **D10/94**

(58) **Field of Classification Search**
USPC D10/93, 94
CPC G01G 21/28; G01G 21/283; G01G 21/286;
G01G 21/30; G01G 23/37; G01G
23/3728; G01G 23/3735; G01G 19/44;
G01G 19/445; G01G 19/46; G01G 19/48;
G01G 19/50; G01G 21/44
See application file for complete search history.

(56) **References Cited**

U.S. PATENT DOCUMENTS

D377,784 S * 2/1997 Wilson D10/93
D378,082 S * 2/1997 Wilson D10/93

D417,440 S * 12/1999 Wilson D10/93
D480,655 S * 10/2003 Medugorac D10/91
D503,120 S * 3/2005 Sato D10/93

* cited by examiner

Primary Examiner — Antoine Duval Davis

(74) *Attorney, Agent, or Firm* — Dorsey & Whitney LLP

(57) **CLAIM**

I claim the ornamental design for a body water measurer, as shown and described.

DESCRIPTION

FIG. 1 is a front isometric view of an embodiment of a body water measurer.

FIG. 2 is a front elevation view of the body water measurer of the embodiment of FIG. 1.

FIG. 3 is a rear elevation view of the body water measurer of the embodiment of FIG. 1.

FIG. 4 is a left side elevation view of the body water measurer of the embodiment of FIG. 1.

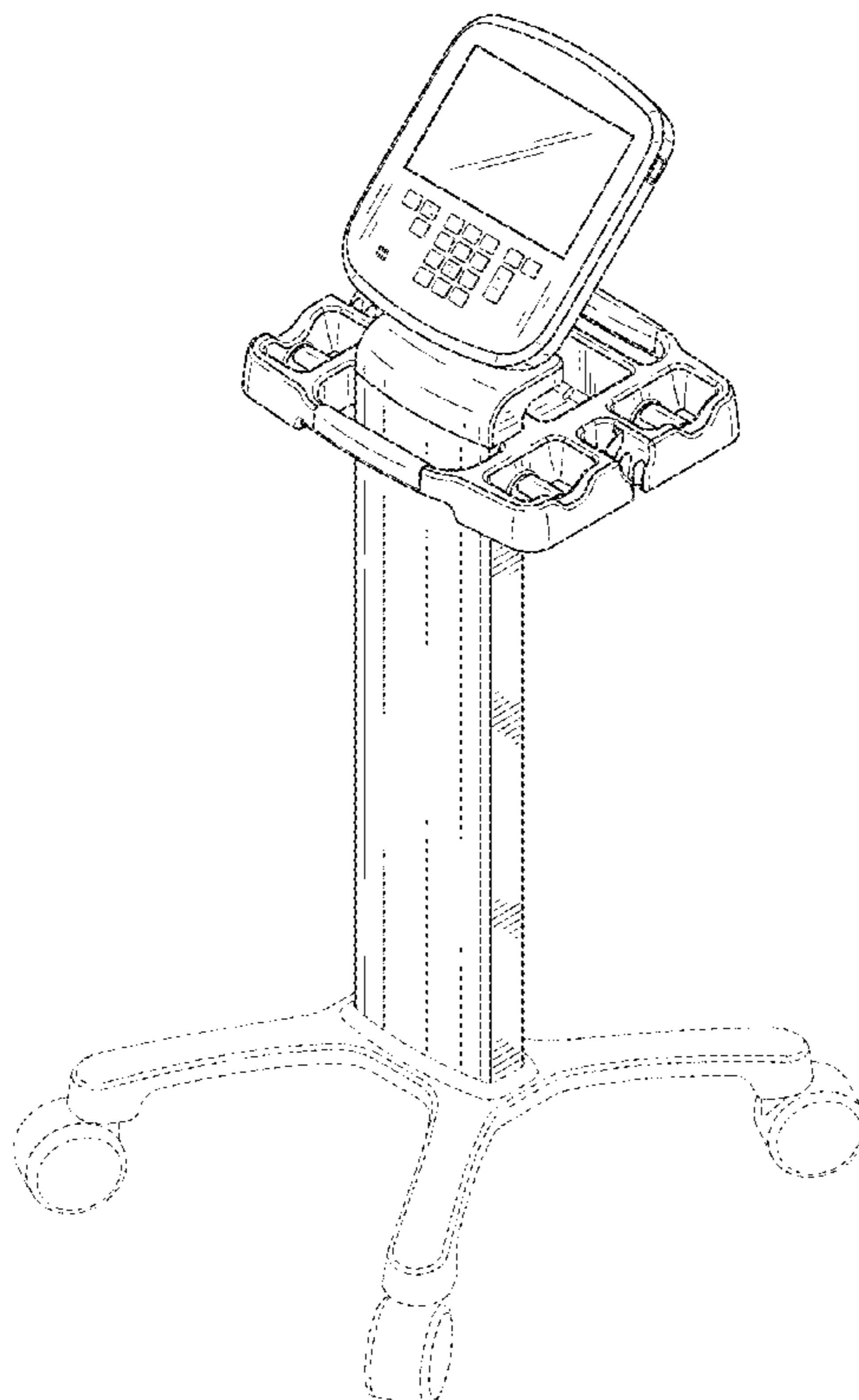
FIG. 5 is a right side elevation view of the body water measurer of the embodiment of FIG. 1.

FIG. 6 is a top plan view of the body water measurer of the embodiment of FIG. 1; and,

FIG. 7 is a bottom plan view of the body water measurer of the embodiment of FIG. 1.

The broken lines shown in the drawings are for purposes of illustrating portions of the body water measurer that form no part of the claimed design.

1 Claim, 6 Drawing Sheets



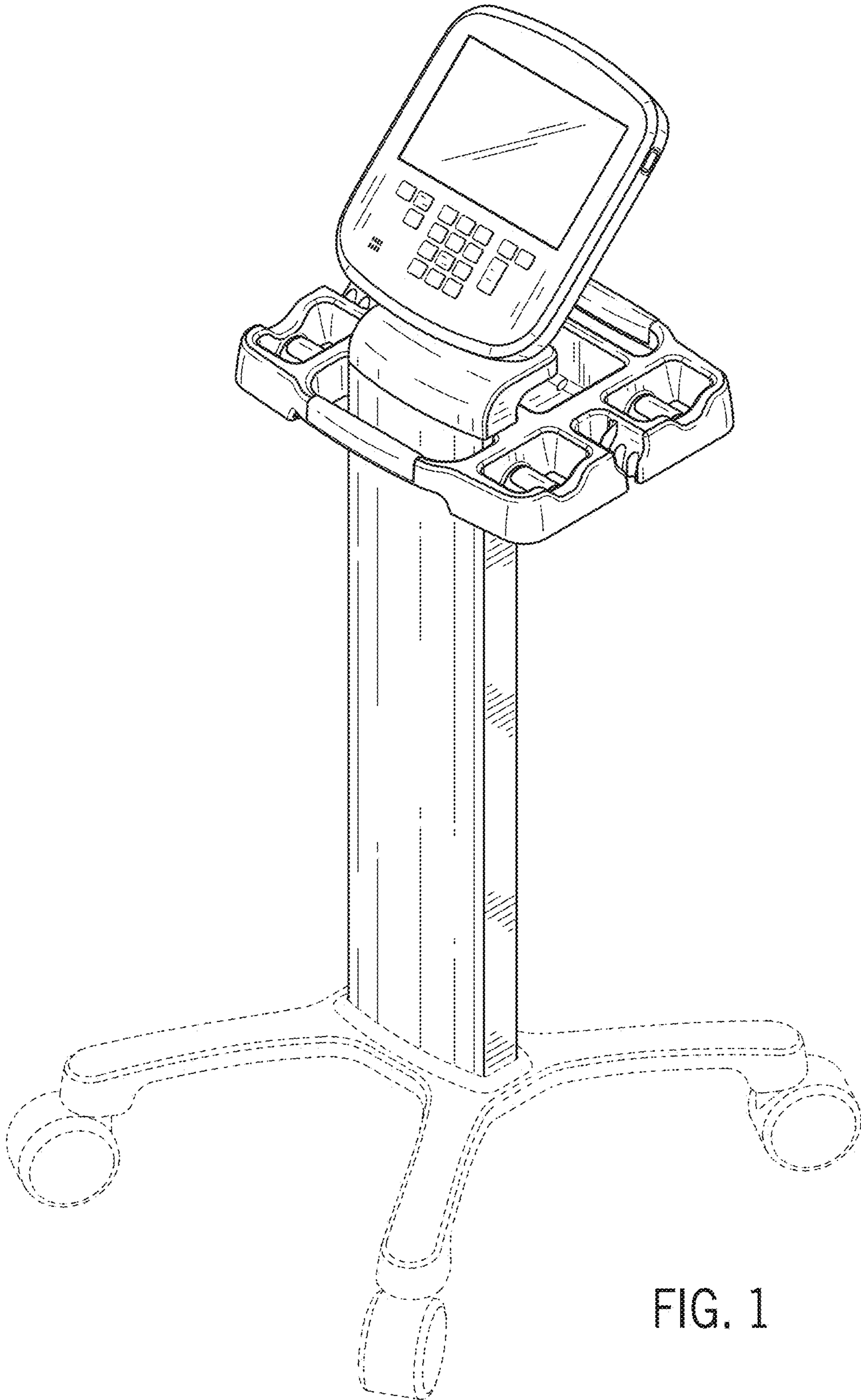


FIG. 1

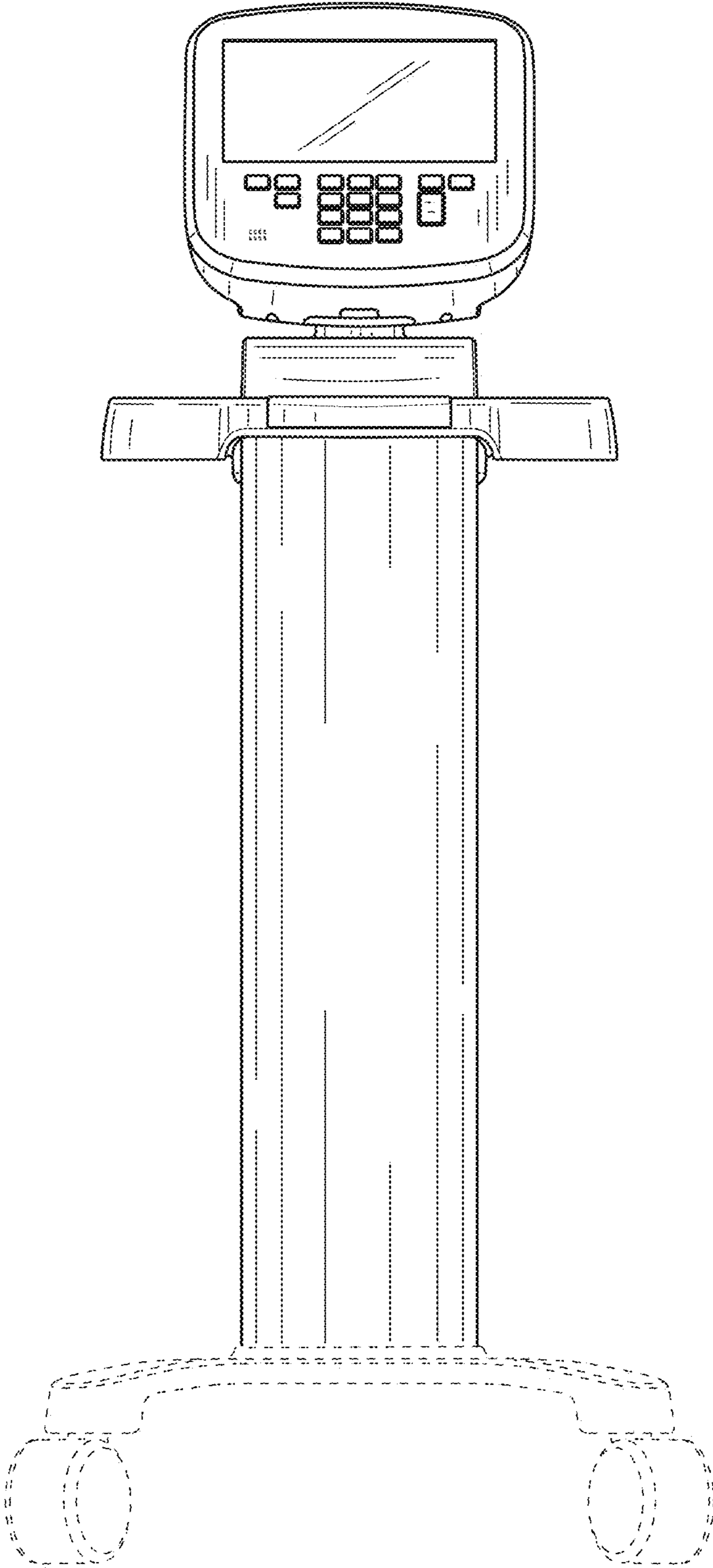


FIG. 2

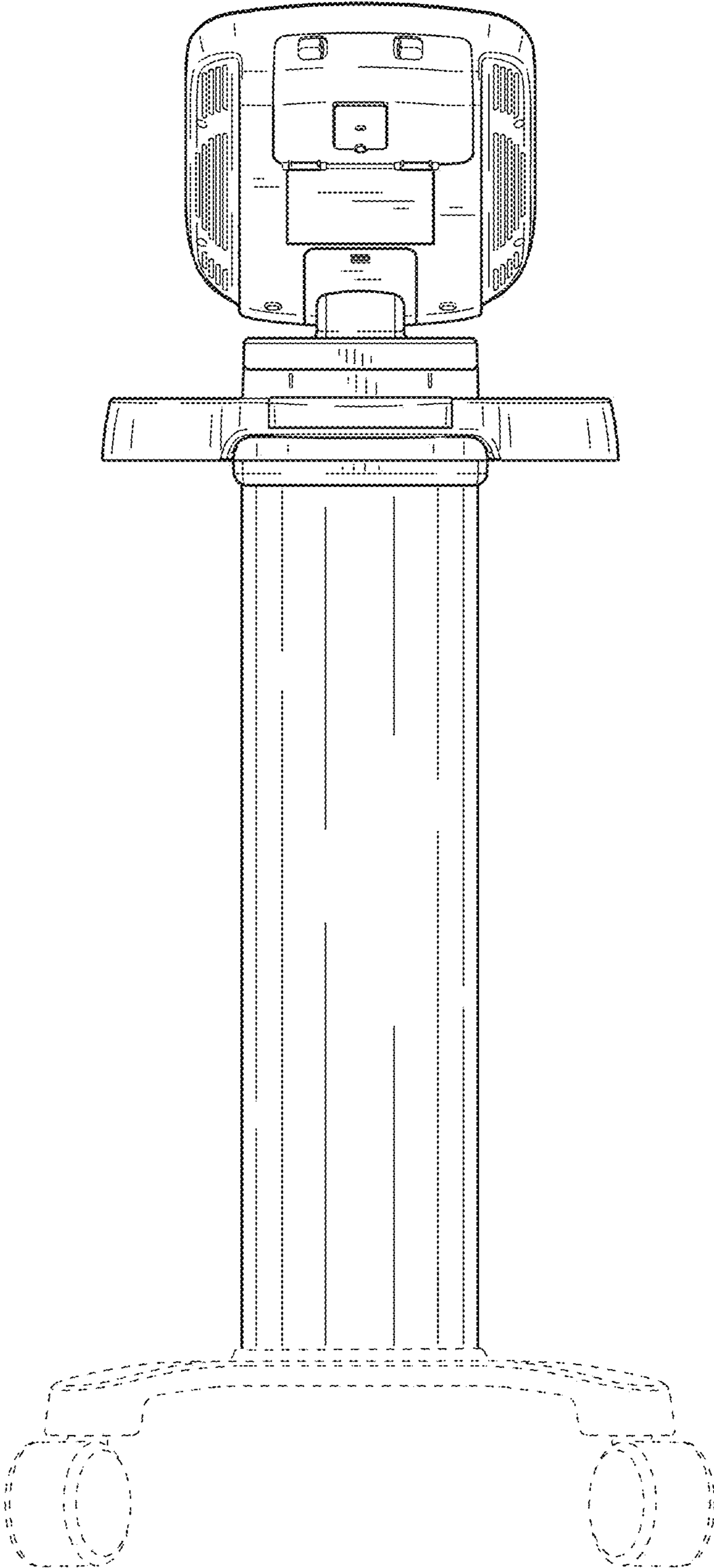


FIG. 3

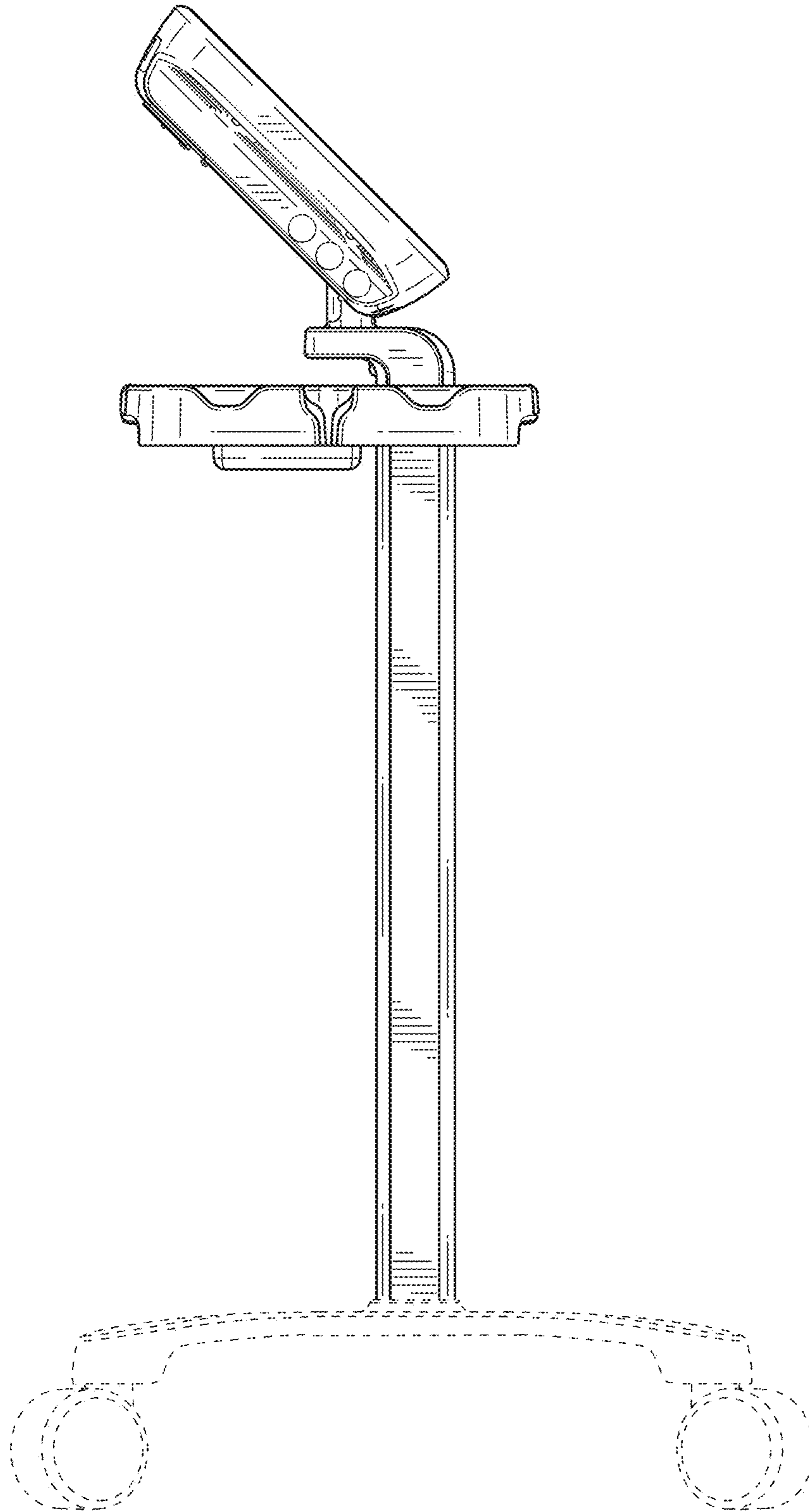


FIG. 4

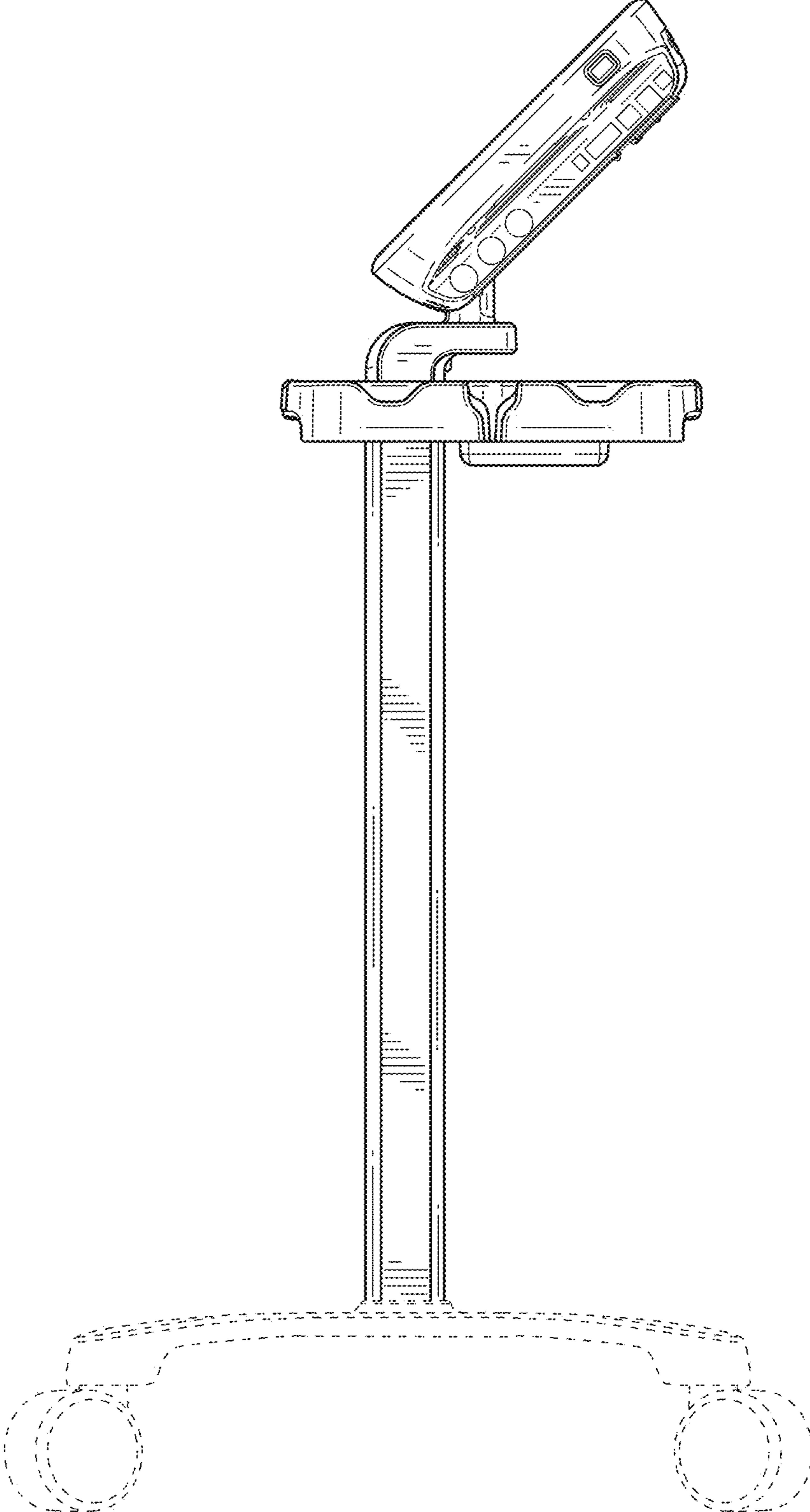


FIG. 5

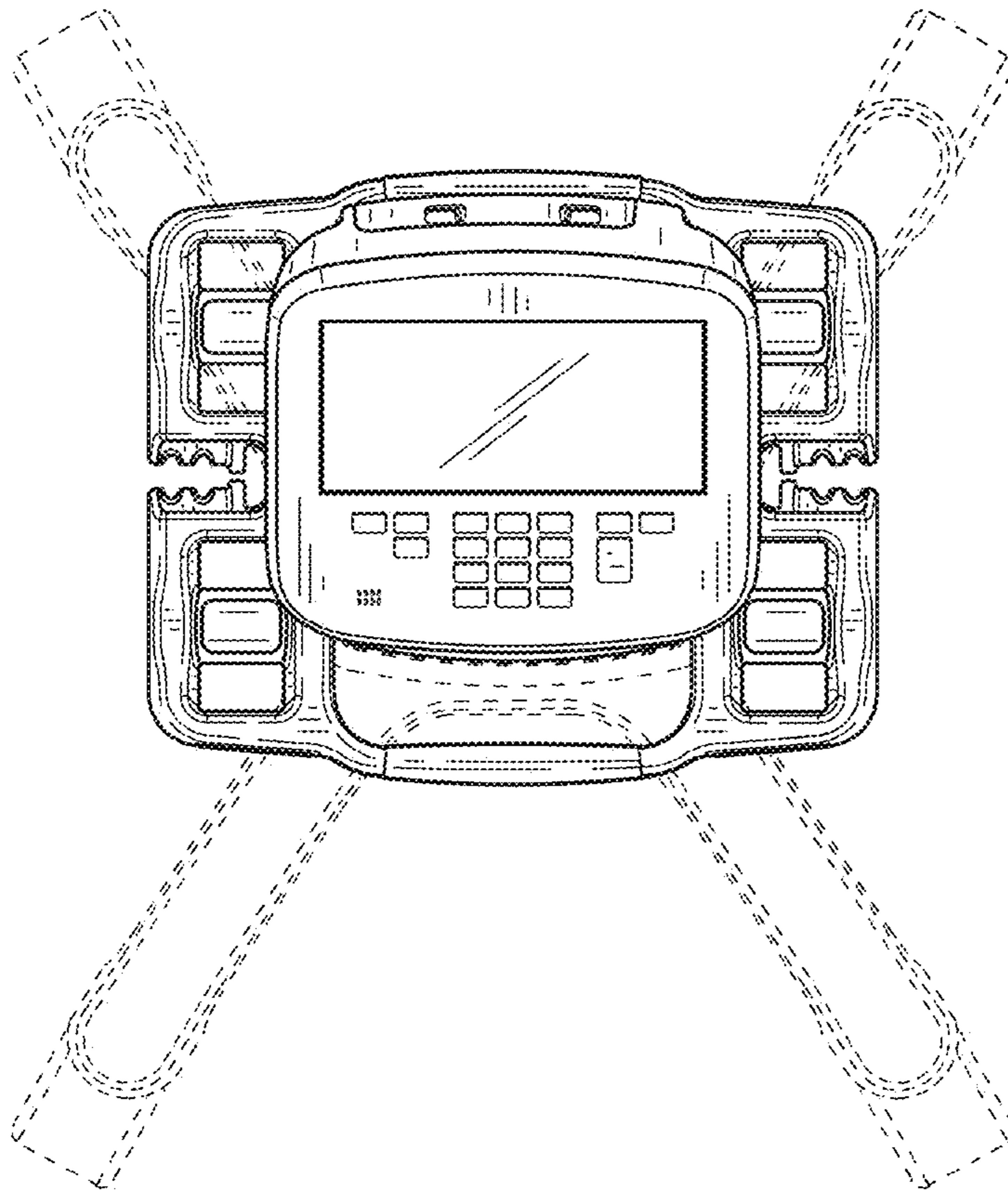


FIG. 6

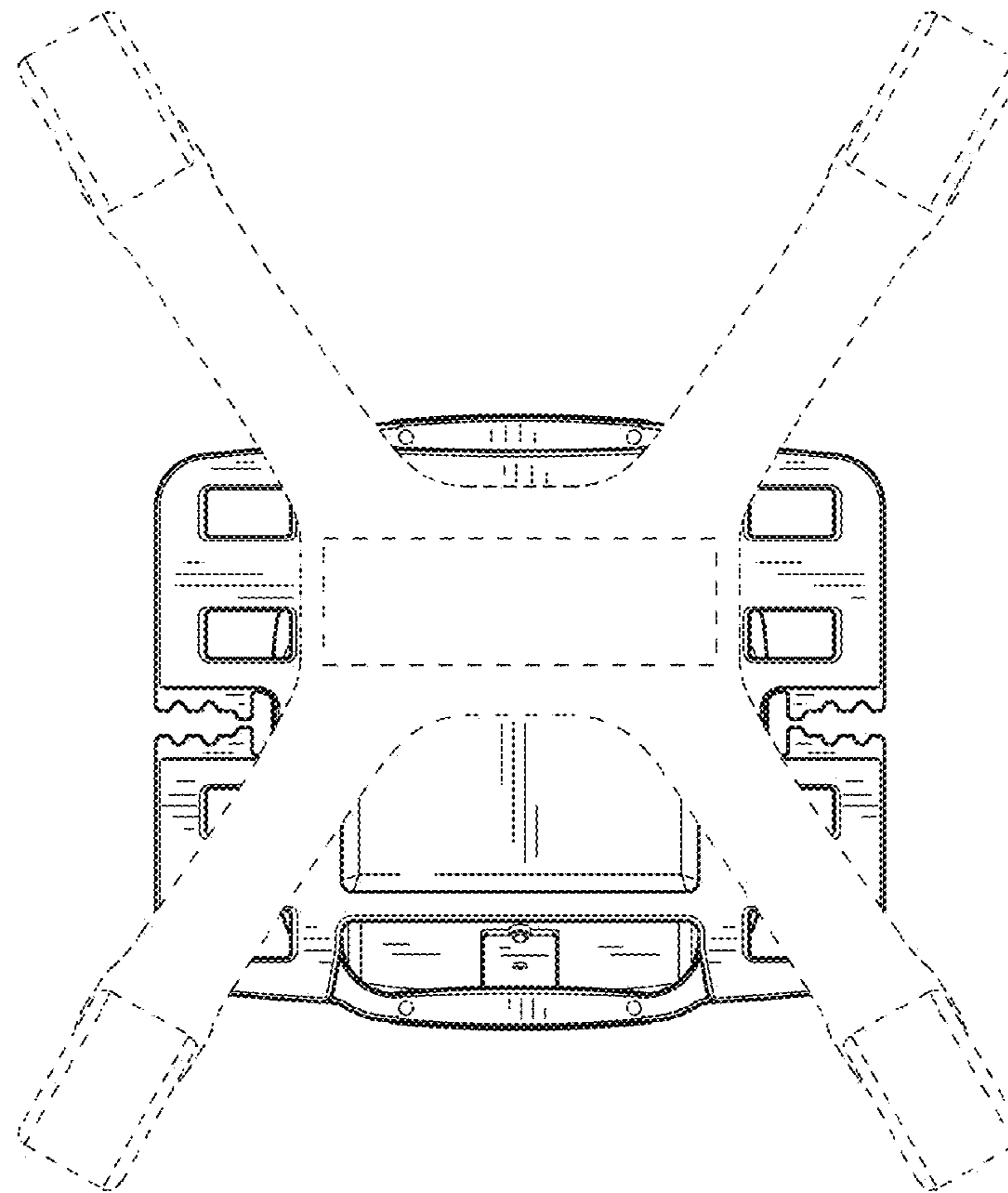


FIG. 7