



US00D953179S

(12) **United States Design Patent**
Matsumoto et al.

(10) **Patent No.:** **US D953,179 S**
(45) **Date of Patent:** **** May 31, 2022**

(54) **TESTING INSTRUMENT**

(71) Applicant: **KOKUSAI KEISOKUKI**
KABUSHIKI KAISHA, Tama (JP)

(72) Inventors: **Sigeru Matsumoto**, Tokyo (JP);
Hiroshi Miyashita, Tokyo (JP);
Kazuhiro Murauchi, Tokyo (JP);
Shuichi Tokita, Kanagawa (JP)

(73) Assignee: **KOKUSAI KEISOKUKI**
KABUSHIKI KAISHA, Tokyo (JP)

(**) Term: **15 Years**

(21) Appl. No.: **29/743,184**

(22) Filed: **Jul. 20, 2020**

Related U.S. Application Data

(62) Division of application No. 29/675,077, filed on Dec. 28, 2018, now Pat. No. Des. 894,766.

(30) **Foreign Application Priority Data**

Jun. 30, 2018 (JP) 2018-014538
Jun. 30, 2018 (JP) 2018-014539

(51) **LOC (13) Cl.** **10-04**

(52) **U.S. Cl.**
USPC **D10/84**

(58) **Field of Classification Search**
USPC D10/83-85
CPC G01M 17/02; B60C 19/00; B60C 25/00;
B60C 11/00; G01N 19/02
See application file for complete search history.

(56) **References Cited**

U.S. PATENT DOCUMENTS

4,594,878 A * 6/1986 Abe G01N 19/02
73/146
4,947,332 A * 8/1990 Ghoneim B60T 8/172
180/197
5,229,955 A * 7/1993 Nishiwaki B60G 17/0182
180/415
5,385,393 A * 1/1995 Tanaka B60T 8/1706
303/150

(Continued)

FOREIGN PATENT DOCUMENTS

JP 2002-116119 A 4/2002
JP 4150351 B2 9/2008

(Continued)

OTHER PUBLICATIONS

Apr. 29, 2020 Notice of Allowance issued in U.S. Appl. No. 29/675,077.

(Continued)

Primary Examiner — Antoine Duval Davis

(74) *Attorney, Agent, or Firm* — Oliff PLC

(57) **CLAIM**

The ornamental design for a testing instrument, as shown and described.

DESCRIPTION

FIG. 1 is a front, right-side, top perspective view of the testing device of the design according to a second embodiment;

FIG. 2 is a rear, left-side, top perspective view thereof;

FIG. 3 is a partial front elevational view thereof;

FIG. 4 is a partial rear elevational view thereof;

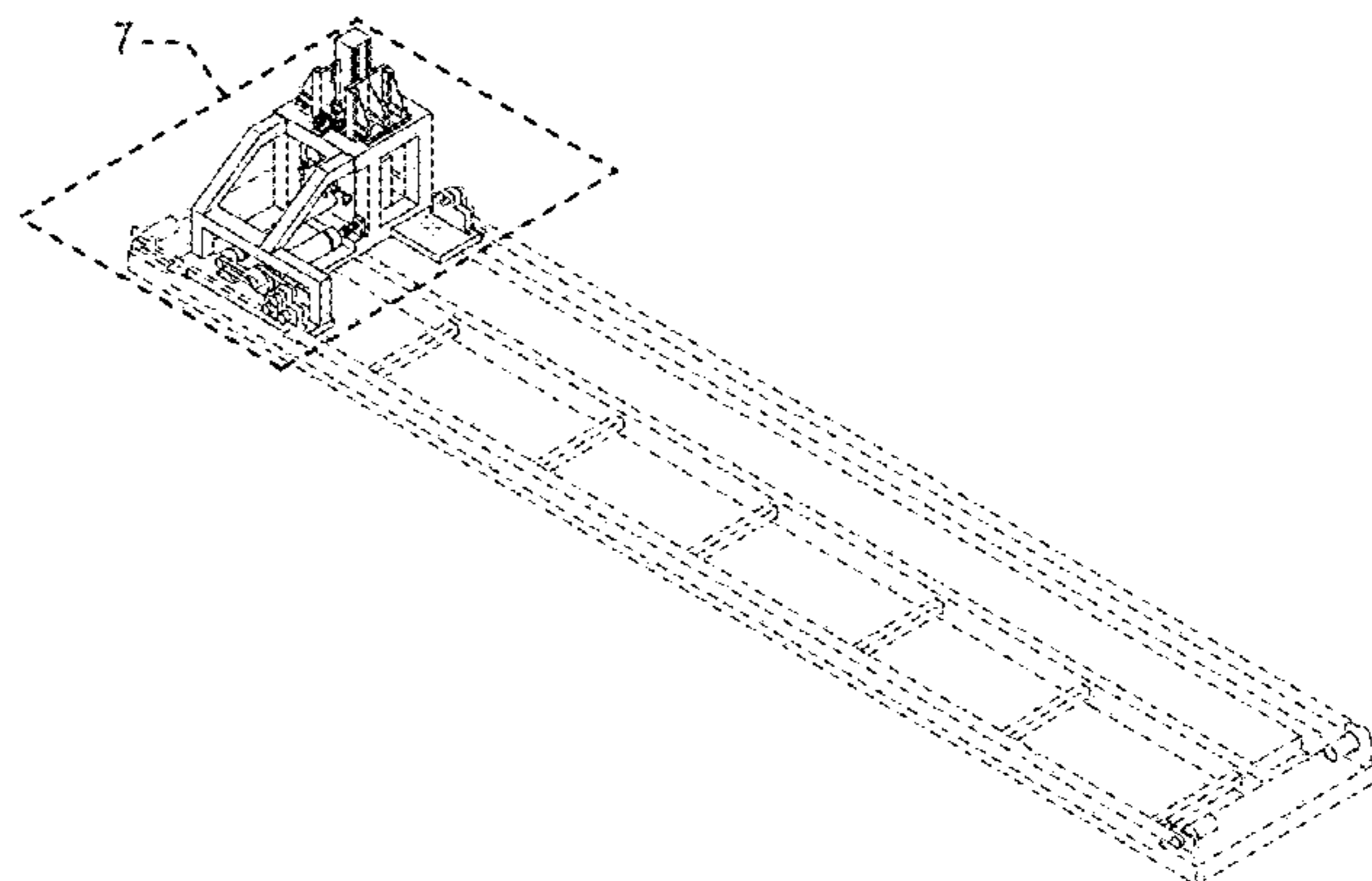
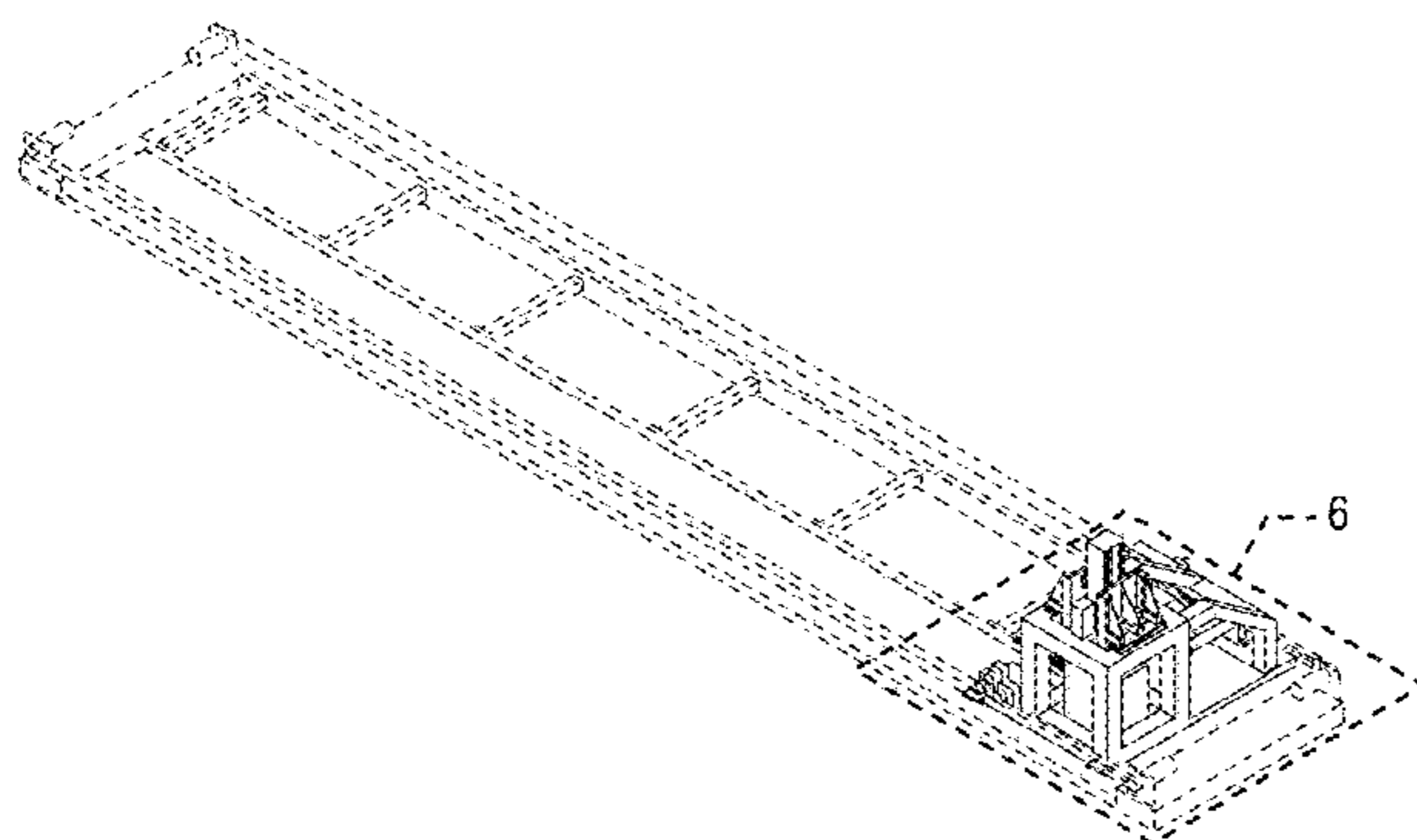
FIG. 5 is a partial top plan view thereof;

FIG. 6 is an enlargement of area 6 in FIG. 1; and,

FIG. 7 is an enlargement of area 7 in FIG. 2.

The broken lines depict either (i) enlargement areas that form no part of the claimed design, or (ii) parts of the testing device that form no part of the claimed design.

1 Claim, 4 Drawing Sheets



(56)

References Cited

U.S. PATENT DOCUMENTS

6,203,121	B1 *	3/2001	Kato	B60T 8/172 188/181 A
7,751,961	B2 *	7/2010	Salman	B60T 8/172 701/80
8,682,599	B2 *	3/2014	Shiozawa	B60T 8/172 702/41
9,927,347	B1 *	3/2018	LoPresti	G01M 17/02
2001/0006002	A1 *	7/2001	Ueda	B60T 8/172 73/9
2004/0144167	A1 *	7/2004	Halliday	G01N 19/02 73/146
2006/0144121	A1 *	7/2006	Neubert	G01N 19/02 73/7
2010/0192665	A1 *	8/2010	Olsen	G01N 19/02 73/9

FOREIGN PATENT DOCUMENTS

JP	4198610	B2	12/2008
JP	5243166	B2	7/2013
JP	2014-20807	A	2/2014
JP	5999977	B2	9/2016
JP	6076620	B2	2/2017

OTHER PUBLICATIONS

Mar. 25, 2020 Quayle Action issued in U.S. Appl. No. 29/675,077.
Jan. 13, 2020 Restriction/Election of Species Requirement issued in
U.S. Appl. No. 29/675,077.

* cited by examiner

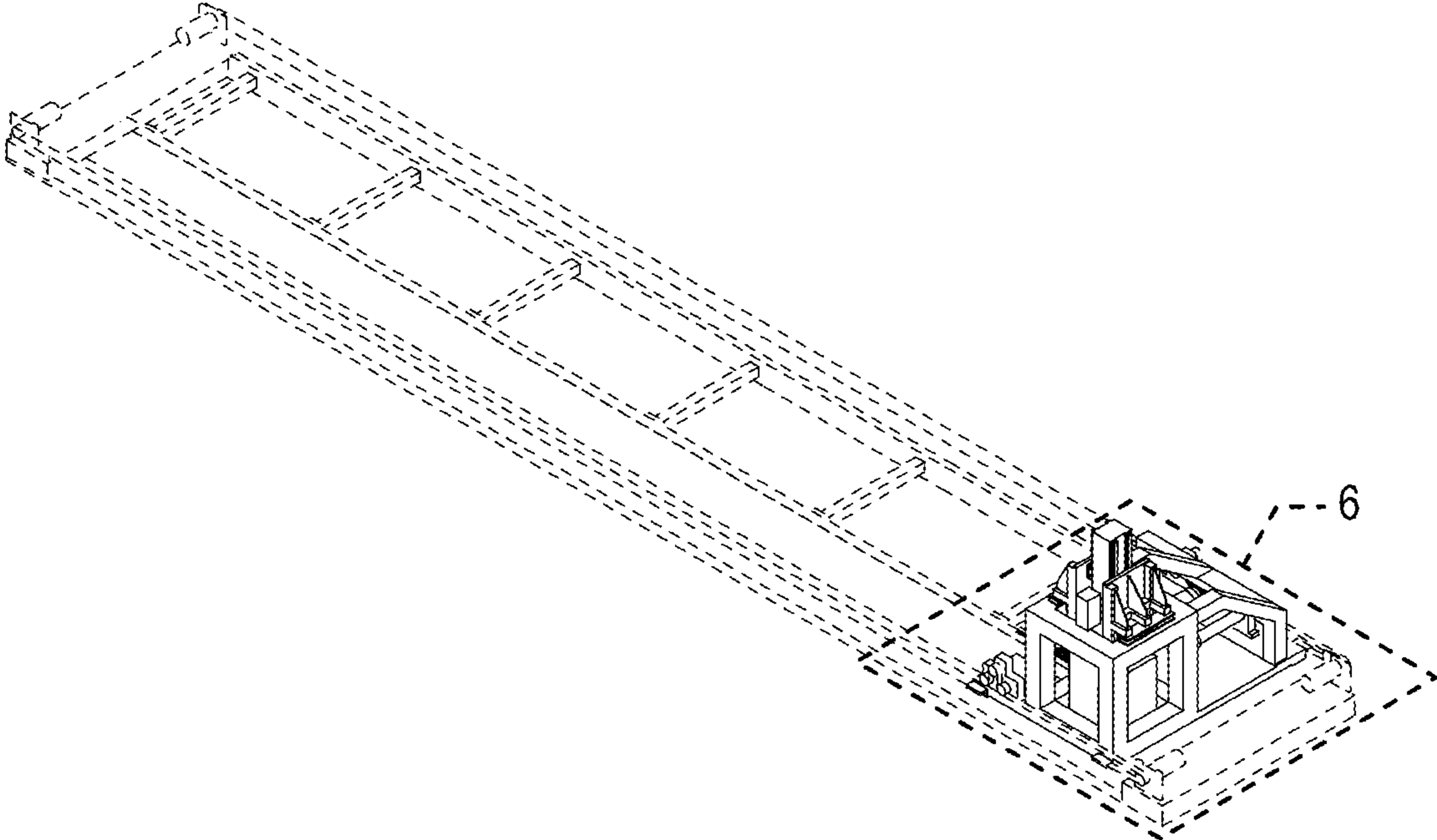


FIG. 1

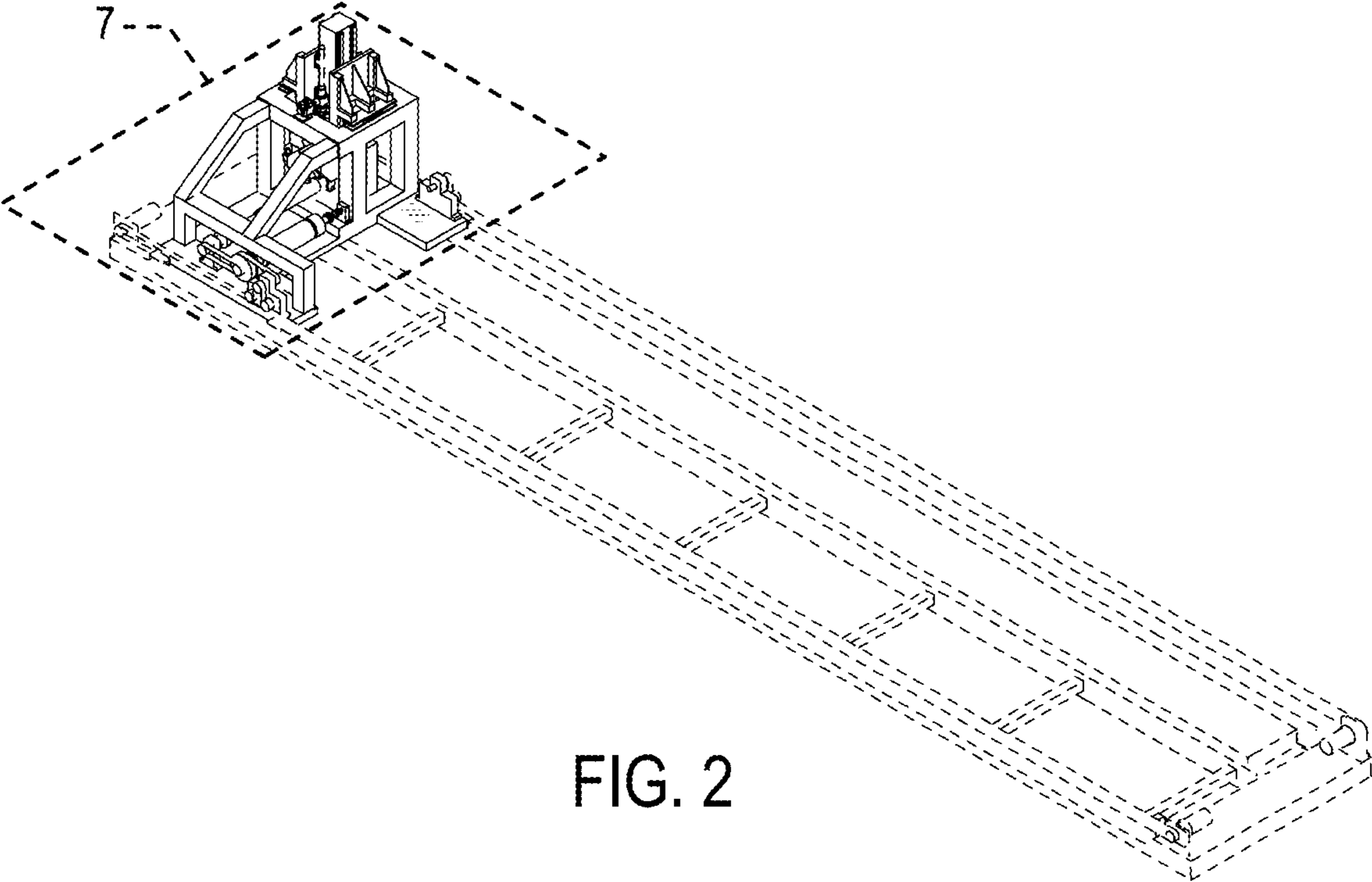


FIG. 2

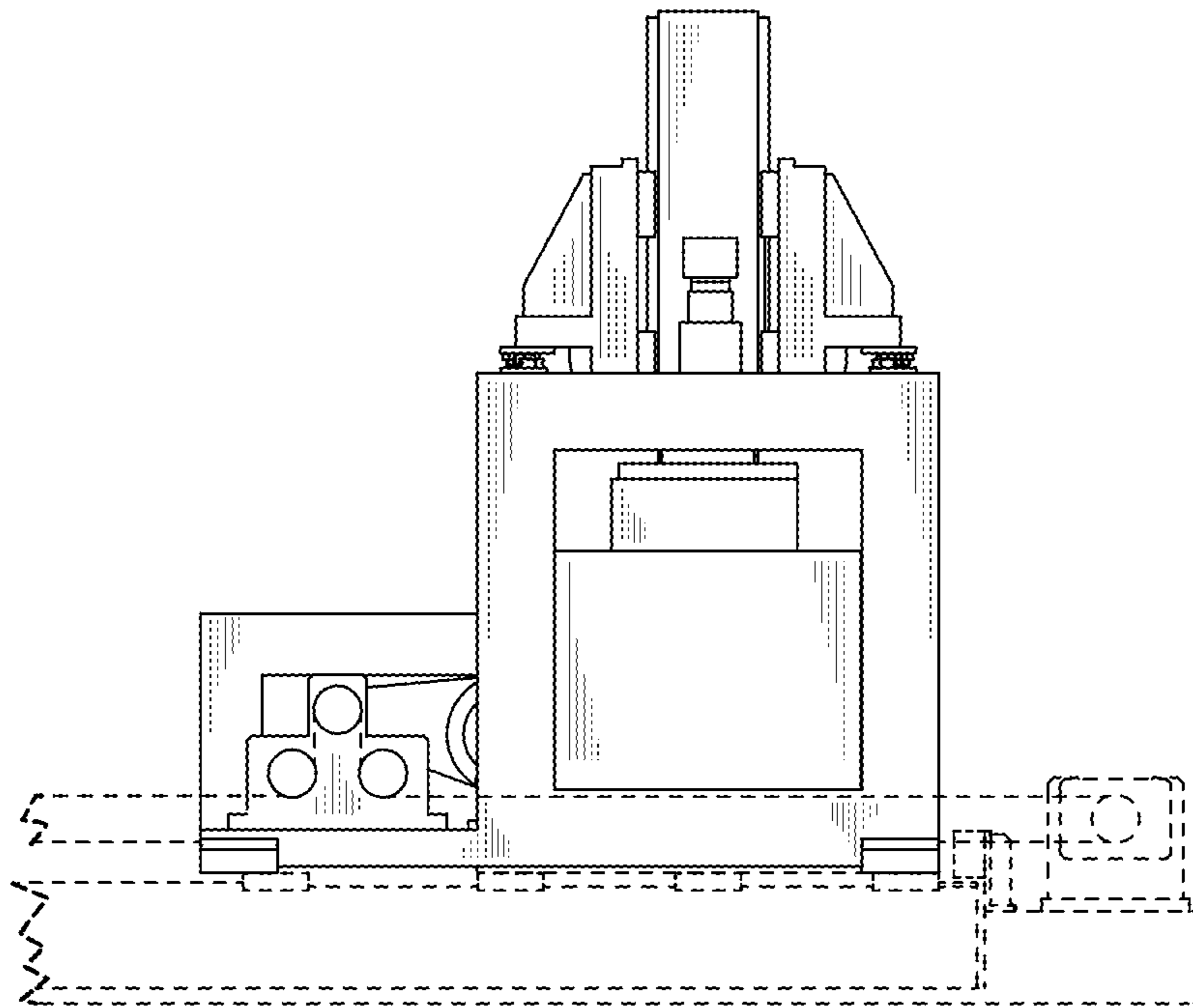


FIG. 3

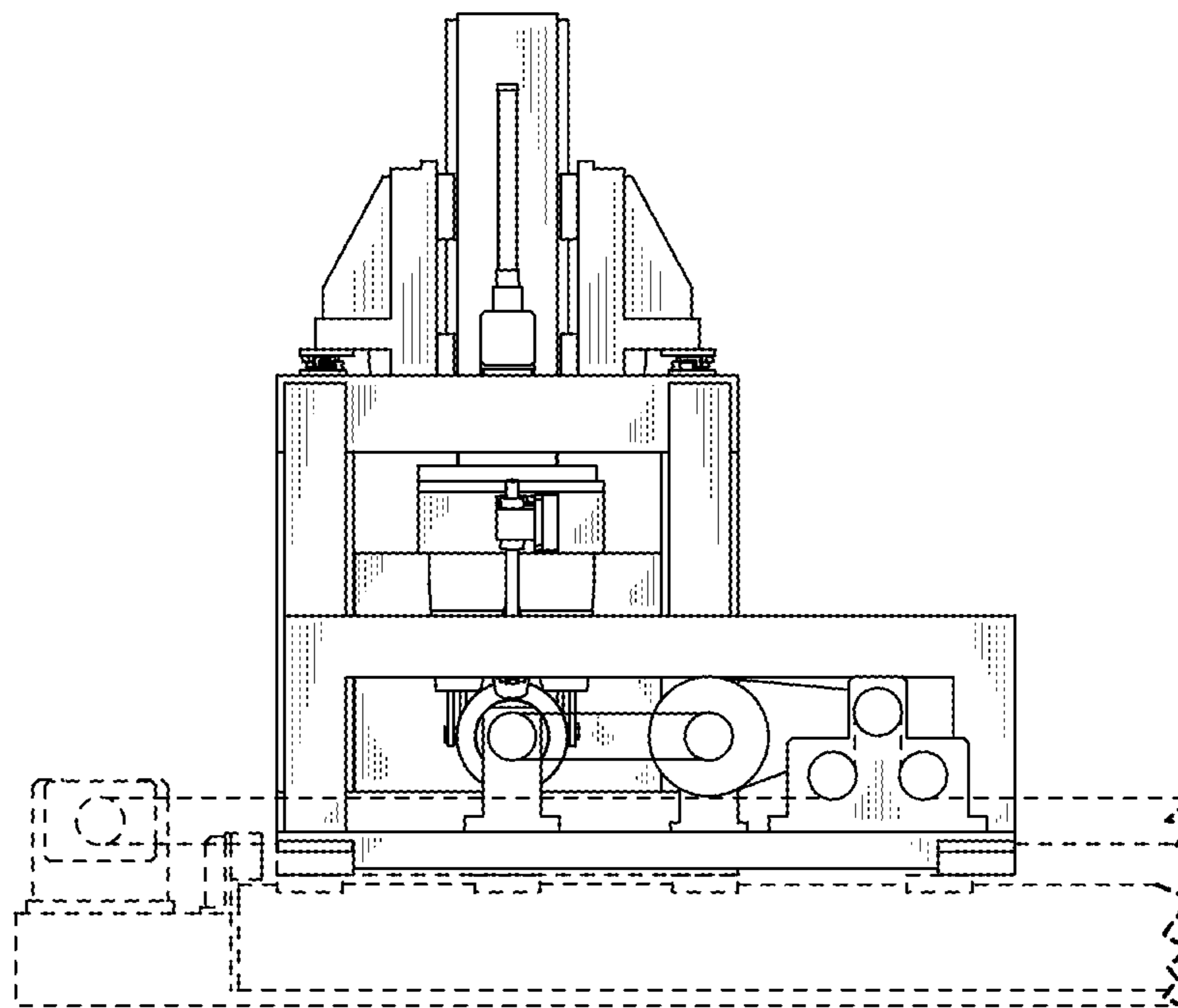


FIG. 4

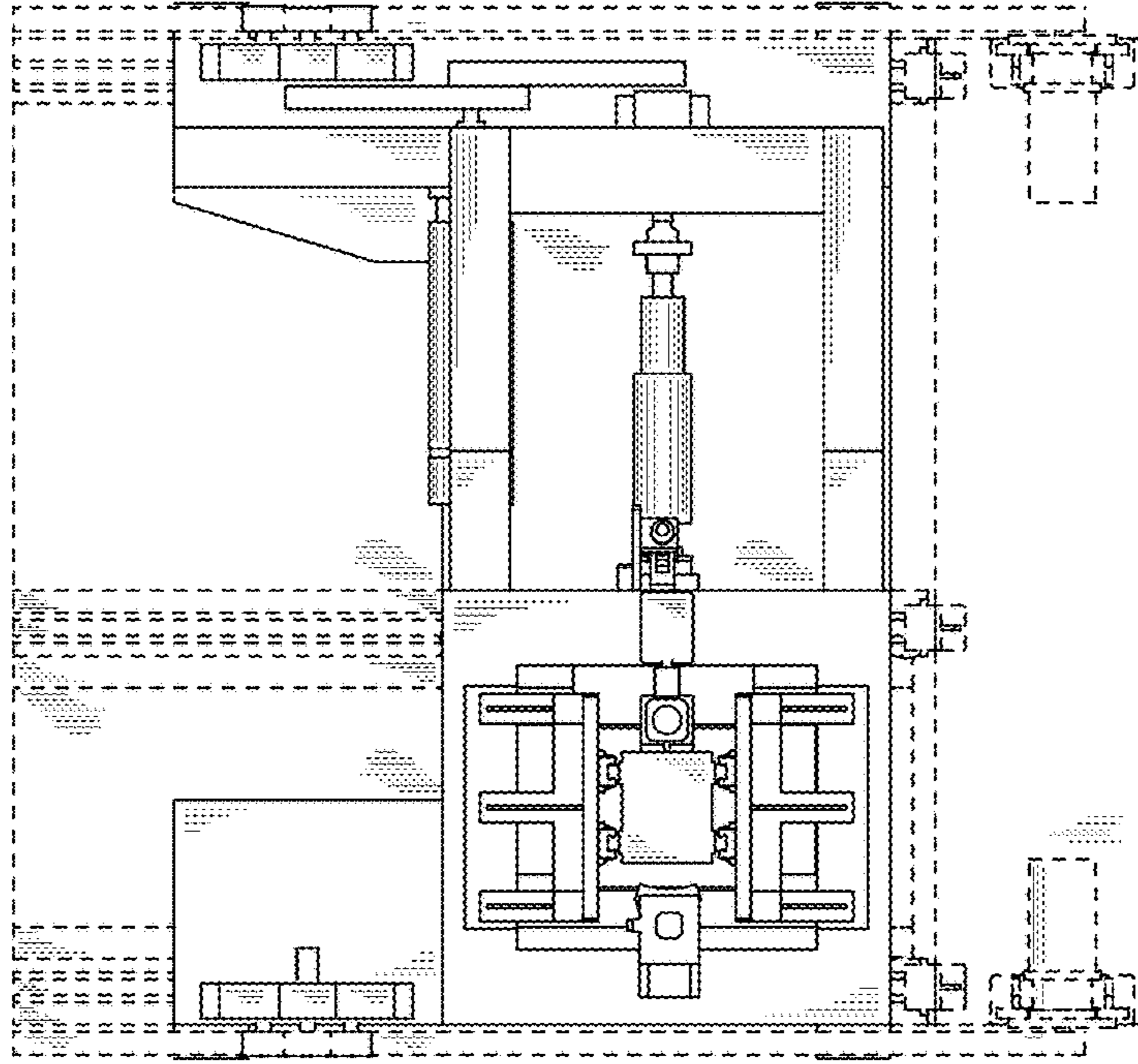


FIG. 5

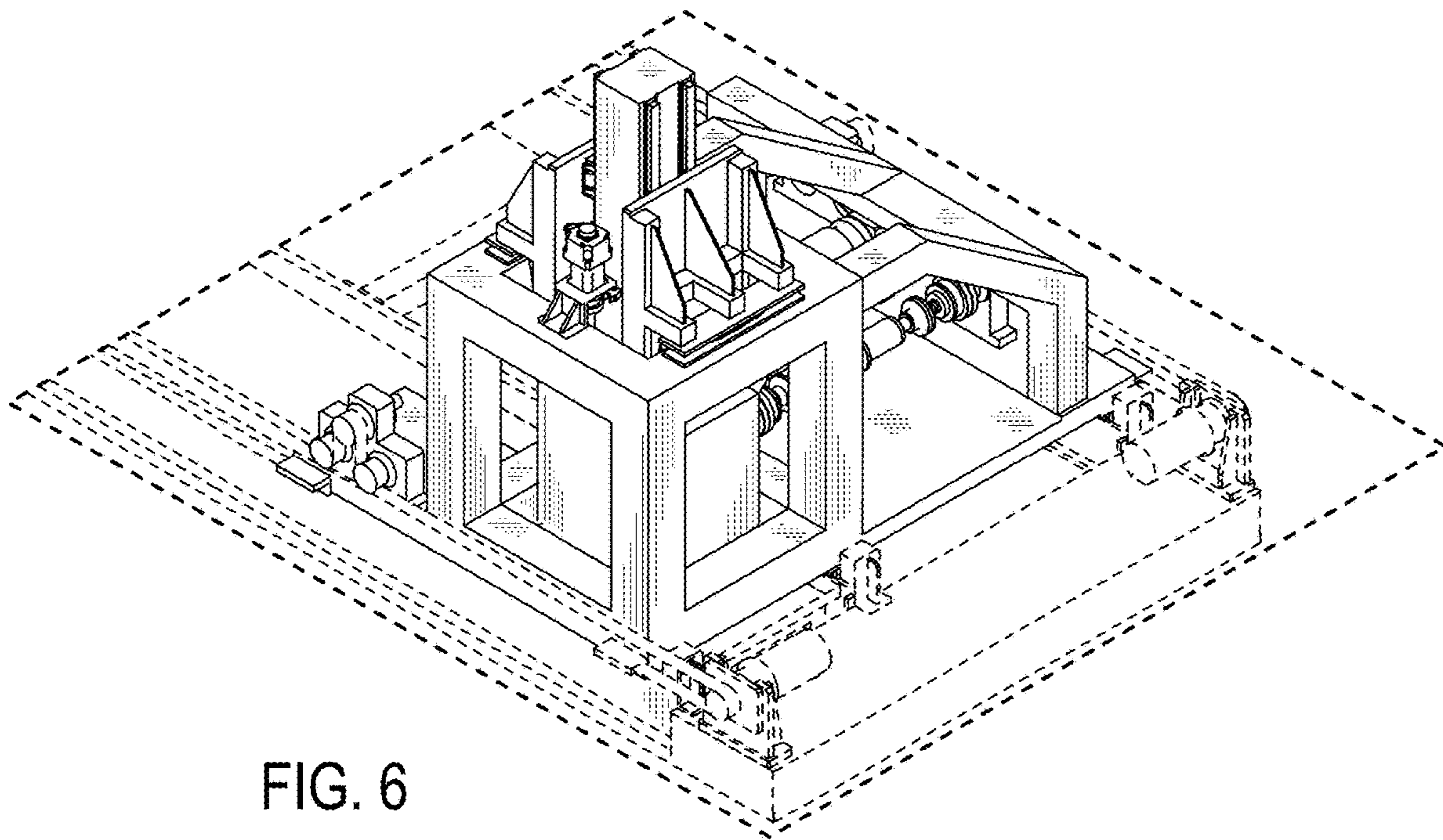


FIG. 6

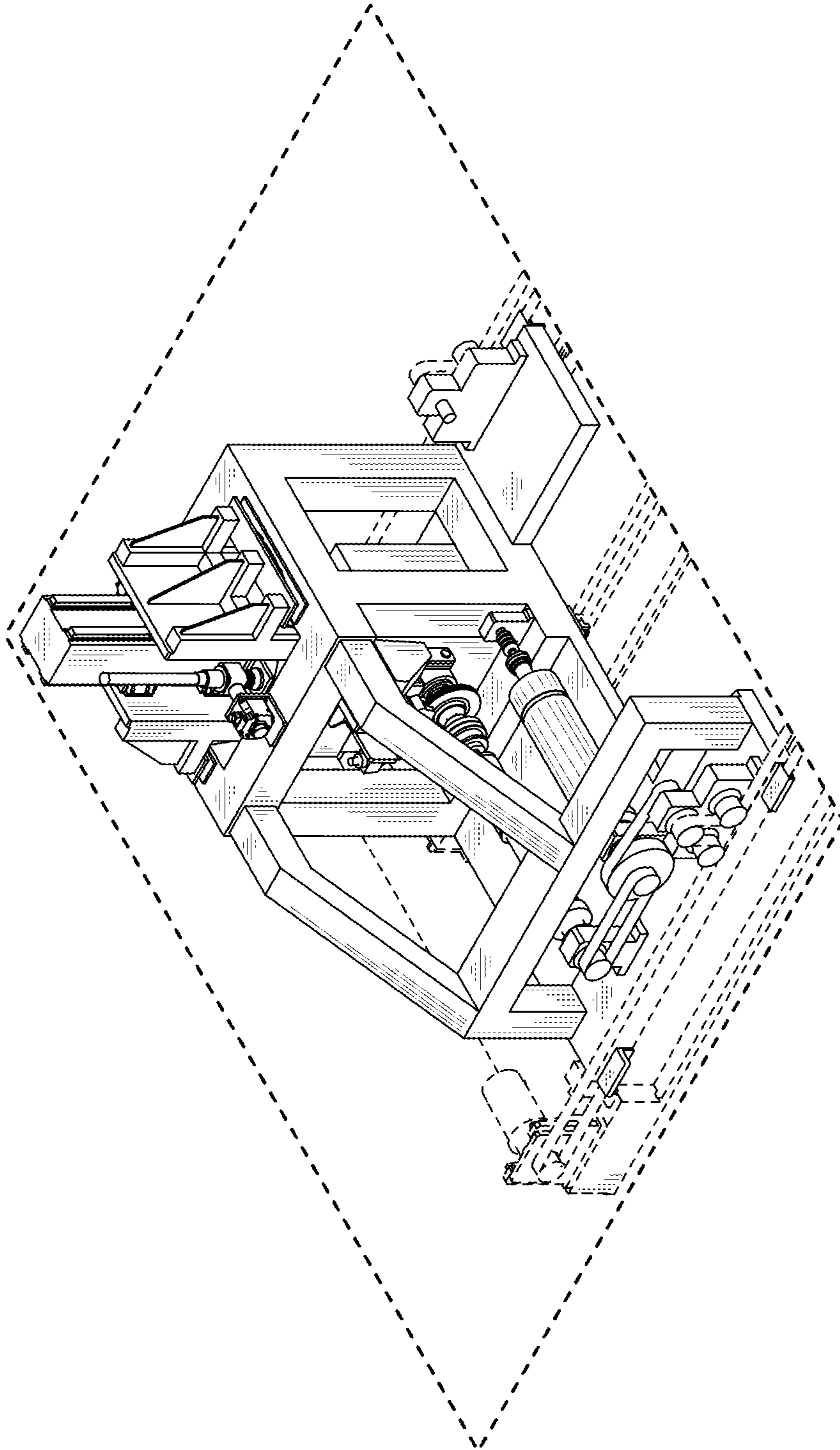


FIG. 7