

US00D953178S

(12) **United States Design Patent**
Grenon et al.

(10) **Patent No.:** **US D953,178 S**

(45) **Date of Patent:** **** May 31, 2022**

(54) **HANDHELD ULTRAVIOLET (UV) EMISSION DEVICE**

(71) Applicant: **UV Innovators, LLC**, Cary, NC (US)

(72) Inventors: **Stephen Michael Grenon**, Durham, NC (US); **Robert Alexander Stevenson**, Glasgow (GB); **Anthony Barret Smith**, Durham, NC (US); **Nicholas William Medendorp, Jr.**, Raleigh, NC (US); **Todd McNeil Pope**, Chapel Hill, NC (US); **Scott Eric Liddle**, Raleigh, NC (US); **Jesse Andrew Melton**, Durham, NC (US)

(73) Assignee: **UV INNOVATORS, LLC**, Cary, NC (US)

(**) Term: **15 Years**

(21) Appl. No.: **29/750,762**

(22) Filed: **Sep. 16, 2020**

(51) **LOC (13) Cl.** **10-04**

(52) **U.S. Cl.**
USPC **D10/78**

(58) **Field of Classification Search**
USPC D10/78
CPC G01M 3/3209–3236; G01M 3/00–40
See application file for complete search history.

(56) **References Cited**

U.S. PATENT DOCUMENTS

D428,610 S	*	7/2000	Zoiss	D10/78
D435,029 S	*	12/2000	Zoiss	D10/78
D738,763 S	*	9/2015	Payne	D10/78

OTHER PUBLICATIONS

Examination Report for U.K. Patent Application No. 6121031, dated Apr. 12, 2021, 1 page.

Examination Report for Israeli Patent Application No. 66637, dated Oct. 17, 2021, 4 pages.

Decision of Registration for Japanese Patent Application No. 2021004348, dated Nov. 9, 2021, 3 pages.

* cited by examiner

Primary Examiner — Antoine Duval Davis

(74) *Attorney, Agent, or Firm* — Withrow & Terranova, PLLC

(57) **CLAIM**

The ornamental design for handheld ultraviolet (UV) emission device, as shown and described.

DESCRIPTION

FIG. 1 is a perspective view of the handheld UV emission device;

FIG. 2 is a right side view of the handheld UV emission device in FIG. 1;

FIG. 3 is a left side view of the handheld UV emission device in FIG. 1;

FIG. 4 is a top view of the handheld UV emission device in FIG. 1;

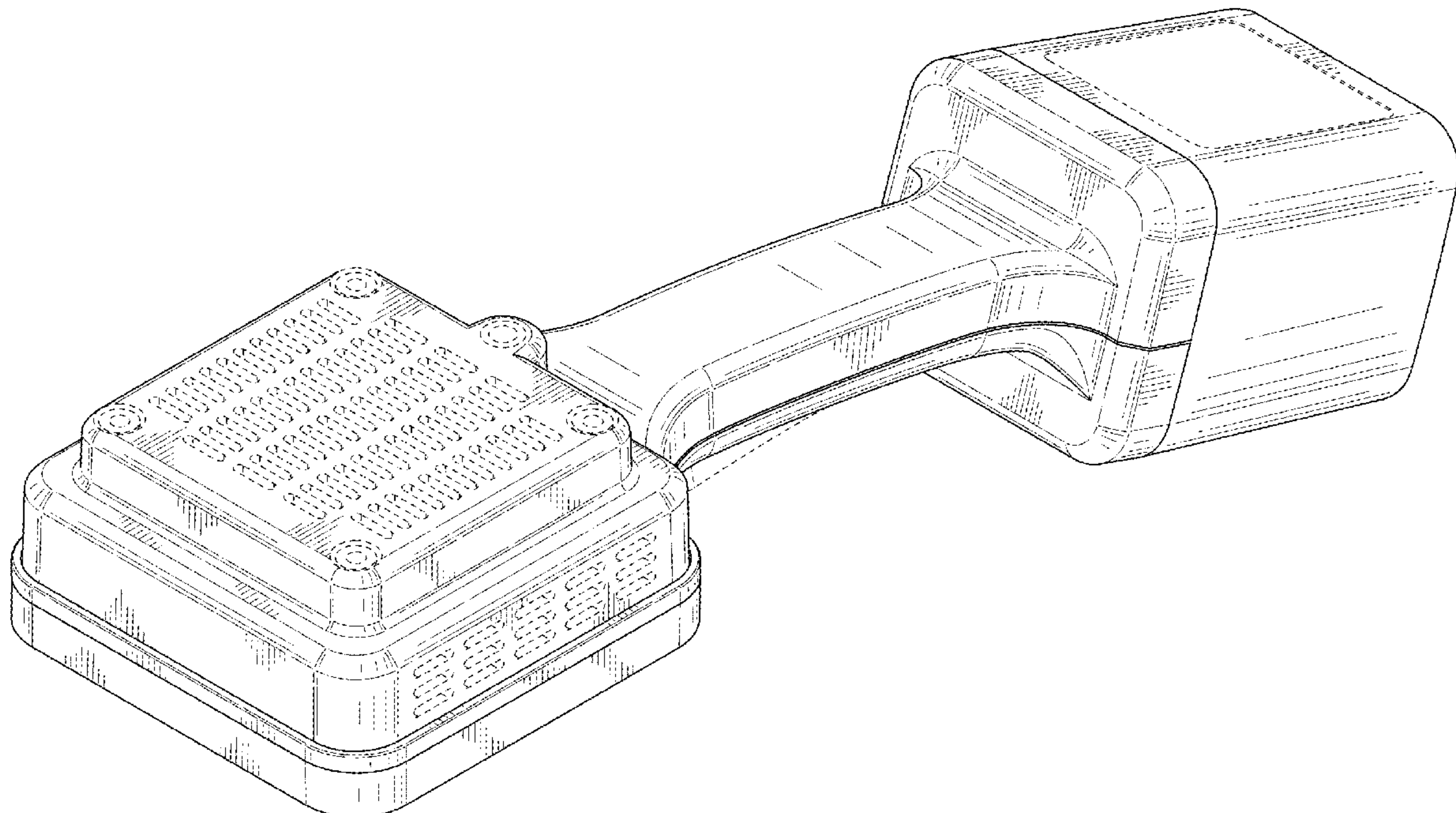
FIG. 5 is a bottom view of the handheld UV emission device in FIG. 1

FIG. 6 is a front view of the handheld UV emission device in FIG. 1; and,

FIG. 7 is a back view of the handheld UV emission device in FIG. 1.

Any broken lines shown are for illustrative purposes only and form no part of the claimed design.

1 Claim, 6 Drawing Sheets



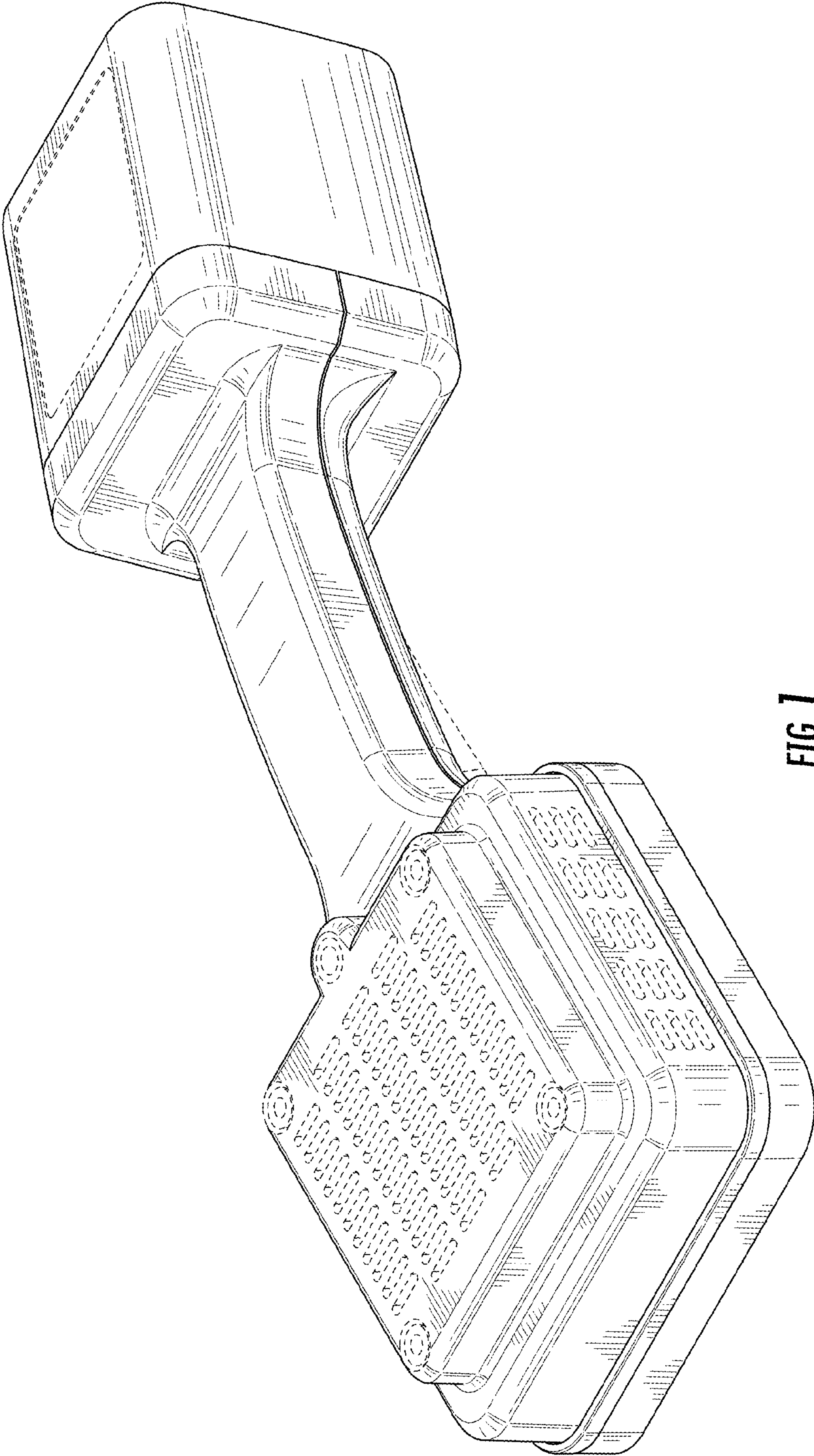


FIG. 1

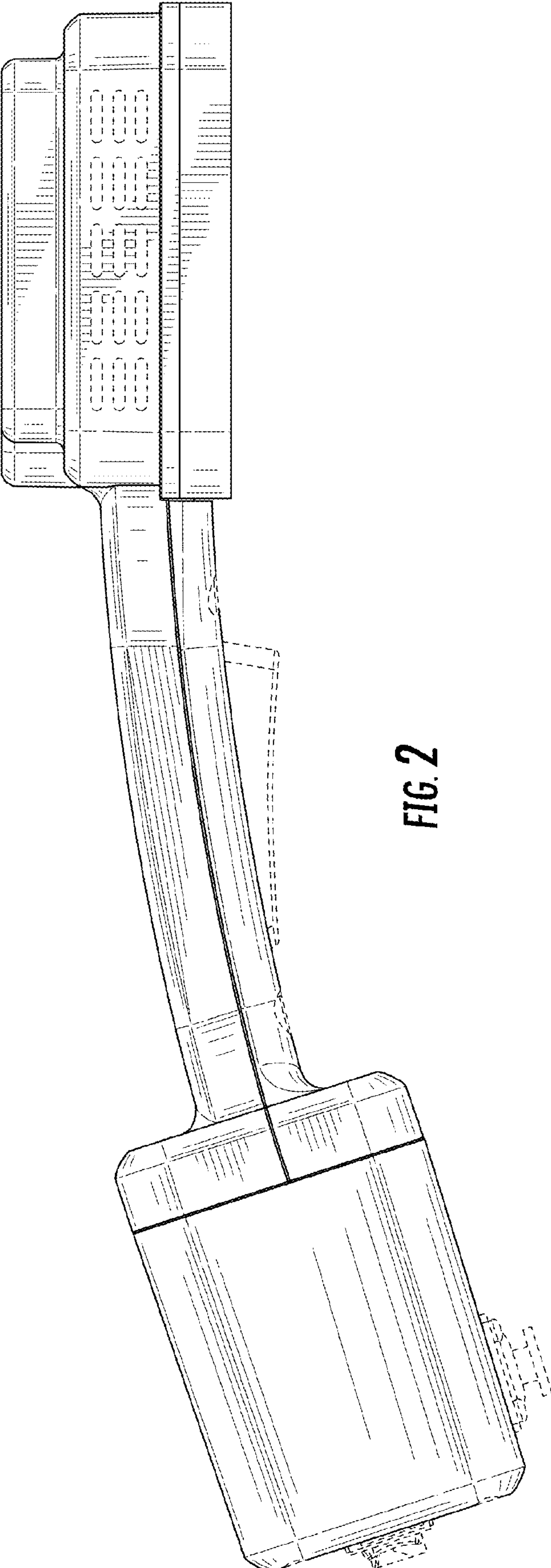


FIG. 2

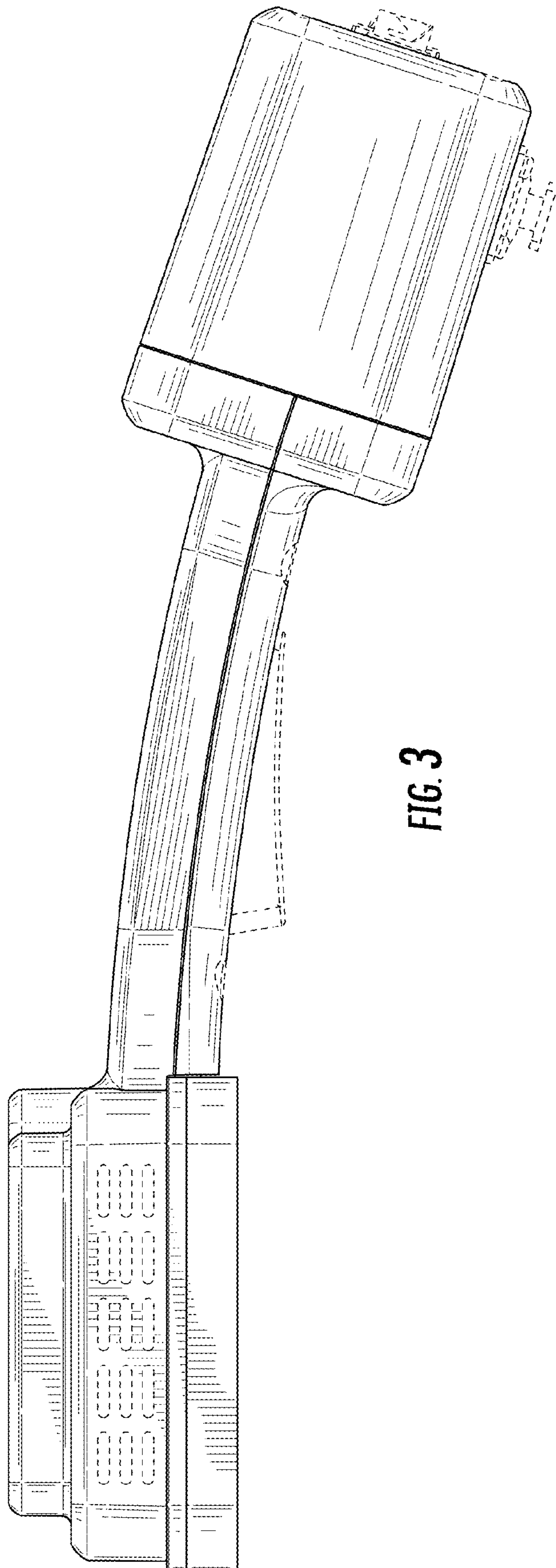


FIG. 3

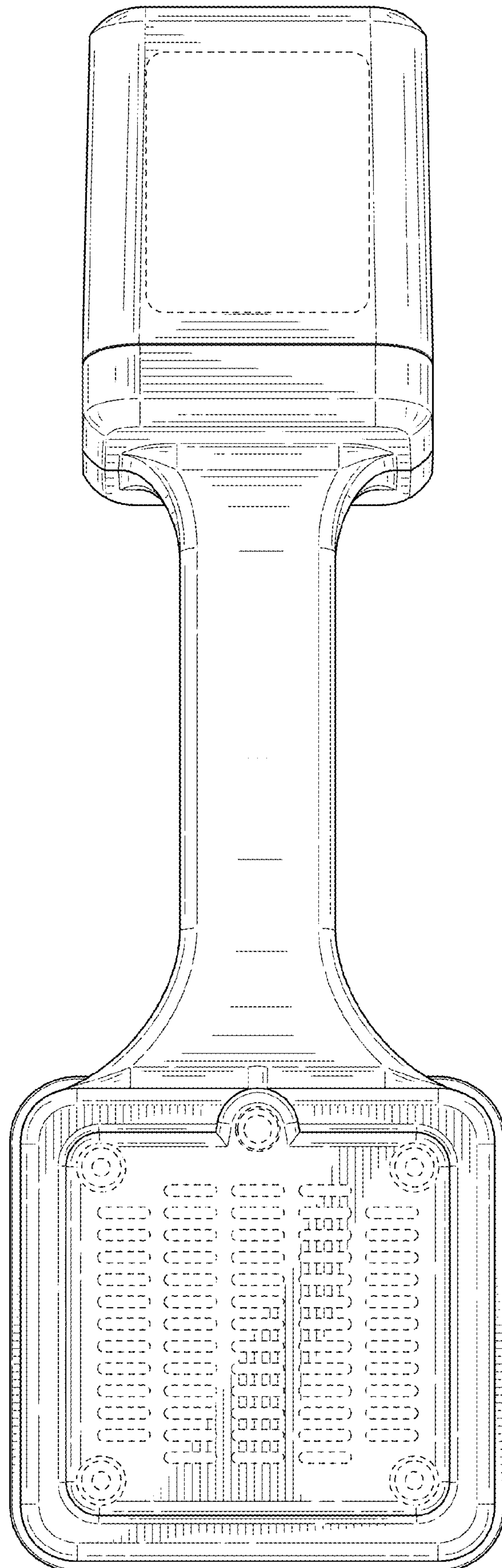


FIG. 4

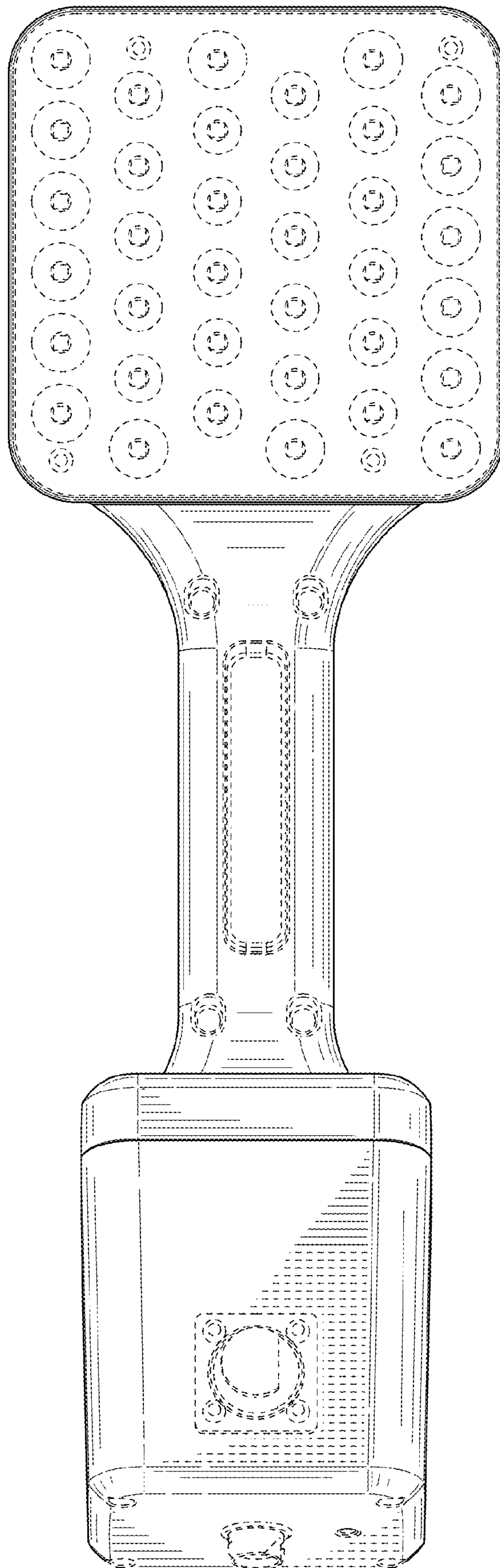


FIG. 5

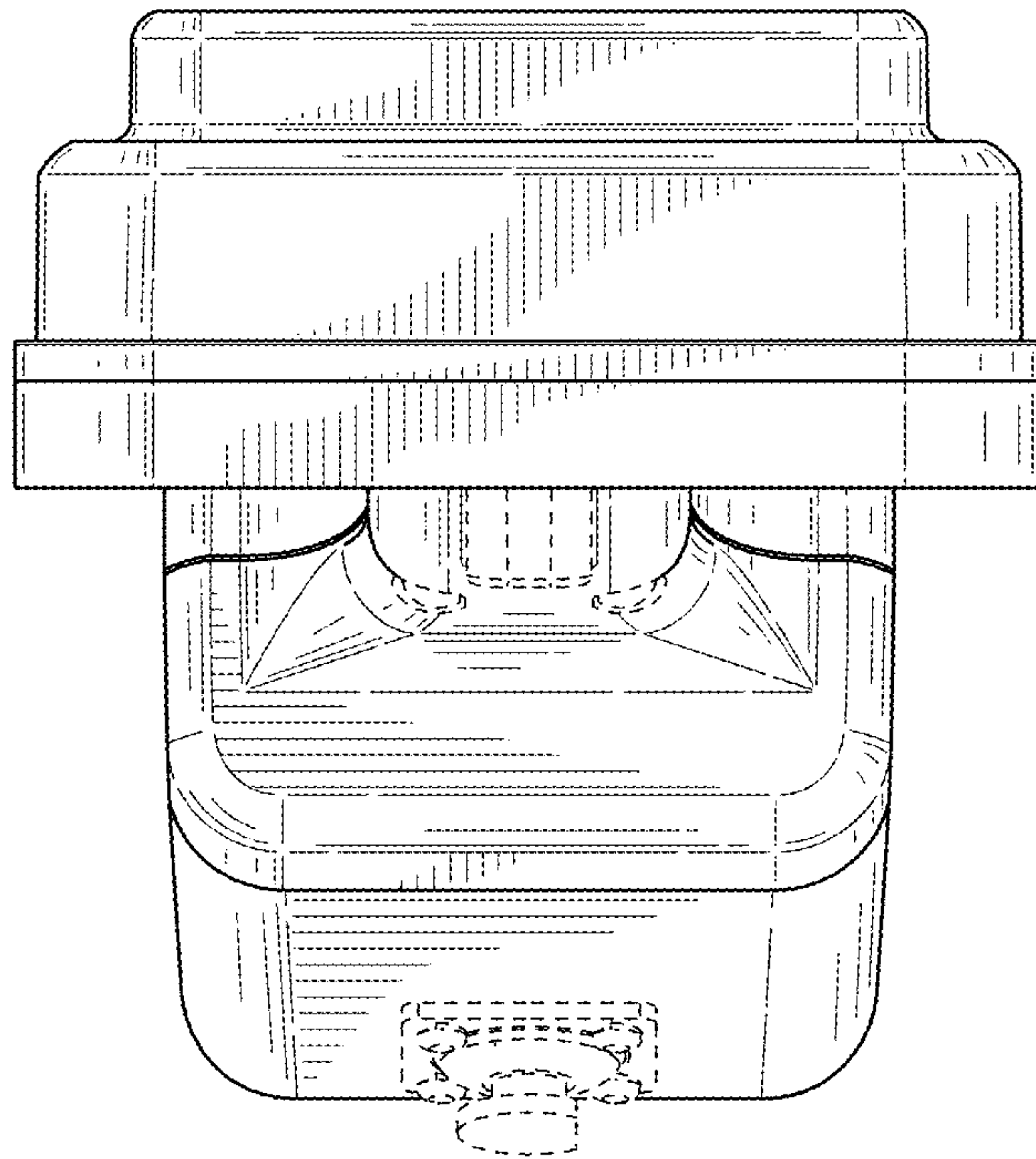


FIG. 6

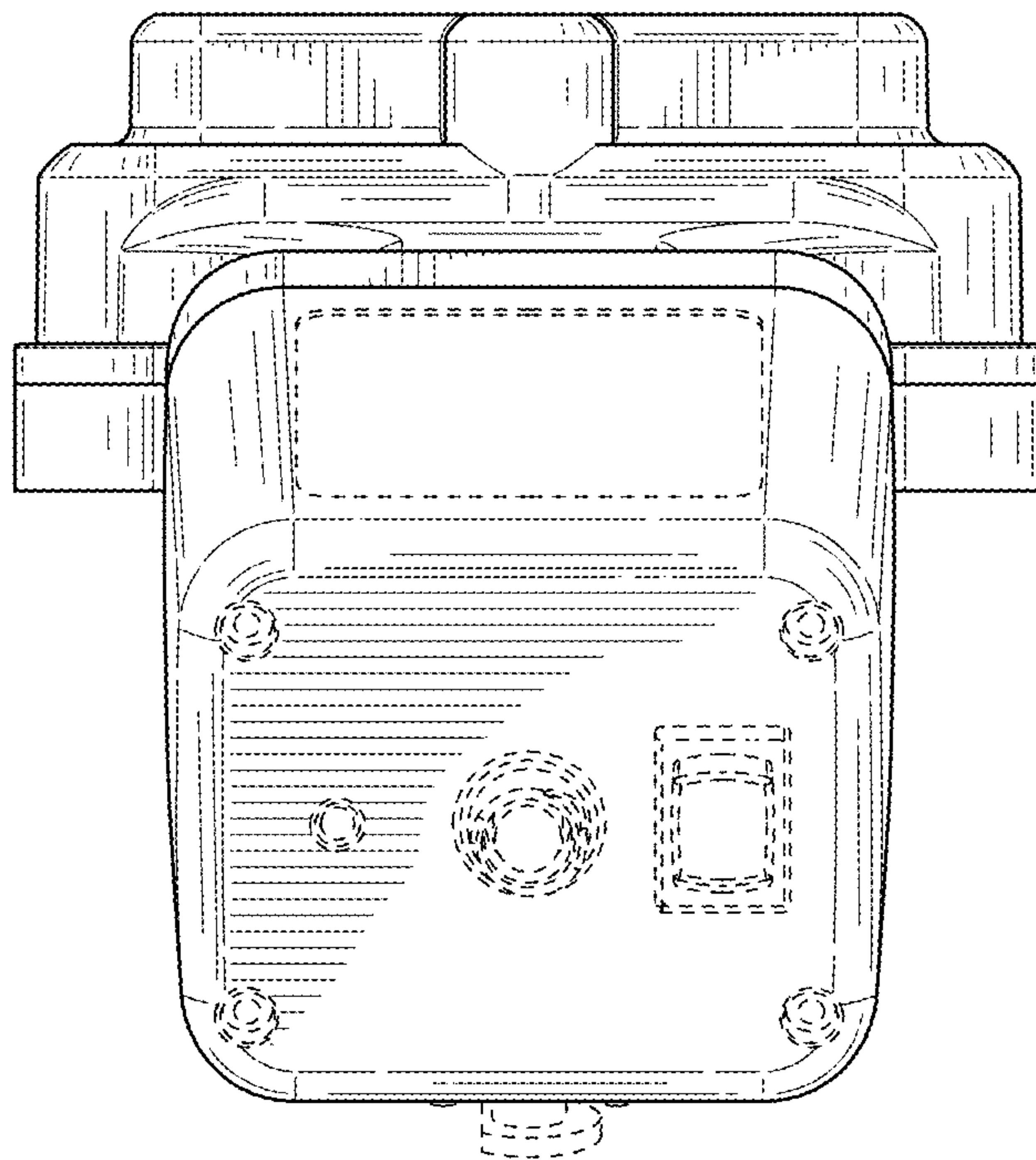


FIG. 7