



US00D953175S

(12) **United States Design Patent**  
**Lin**

(10) **Patent No.:** **US D953,175 S**  
(45) **Date of Patent:** **\*\* May 31, 2022**

(54) **THERMOMETER**

5/044; G01J 5/045; G01J 5/046; G01J  
5/047; G01J 5/048; G01J 5/049; G01J  
5/0265

(71) Applicant: **Shenzhen Aurora Technology Co.,  
Ltd., Shenzhen (CN)**

See application file for complete search history.

(72) Inventor: **Liansong Lin, Shenzhen (CN)**

(56) **References Cited**

(73) Assignee: **Shenzhen Aurora Technology Co.,  
Ltd., Shenzhen (CN)**

U.S. PATENT DOCUMENTS

(\*\*) Term: **15 Years**

D774,405 S \* 12/2016 Manda ..... D10/57

(21) Appl. No.: **29/746,319**

\* cited by examiner

(22) Filed: **Aug. 13, 2020**

*Primary Examiner* — Antoine Duval Davis

(30) **Foreign Application Priority Data**

(74) *Attorney, Agent, or Firm* — Banner & Witcoff, Ltd.

Jul. 13, 2020 (CN) ..... 202030375493.3

(51) **LOC (13) Cl.** ..... **10-04**

(52) **U.S. Cl.**  
USPC ..... **D10/57**

(58) **Field of Classification Search**  
USPC ..... D10/57  
CPC ..... G01K 1/02; G01K 1/022; G01K 1/024;  
G01K 1/08; G01K 1/083; G01K 1/086;  
G01K 3/00-3/14; G01K 2003/145; G01K  
13/002; G01K 13/004; G01K 2219/00;  
G01K 5/04-5/225; G01K 5/22; G01K  
221/00; G01K 1/20; G01K 3/005; G01K  
3/06; G01K 13/04; G01J 5/04; G01J  
5/041; G01J 5/042; G01J 5/043; G01J

(57) **CLAIM**

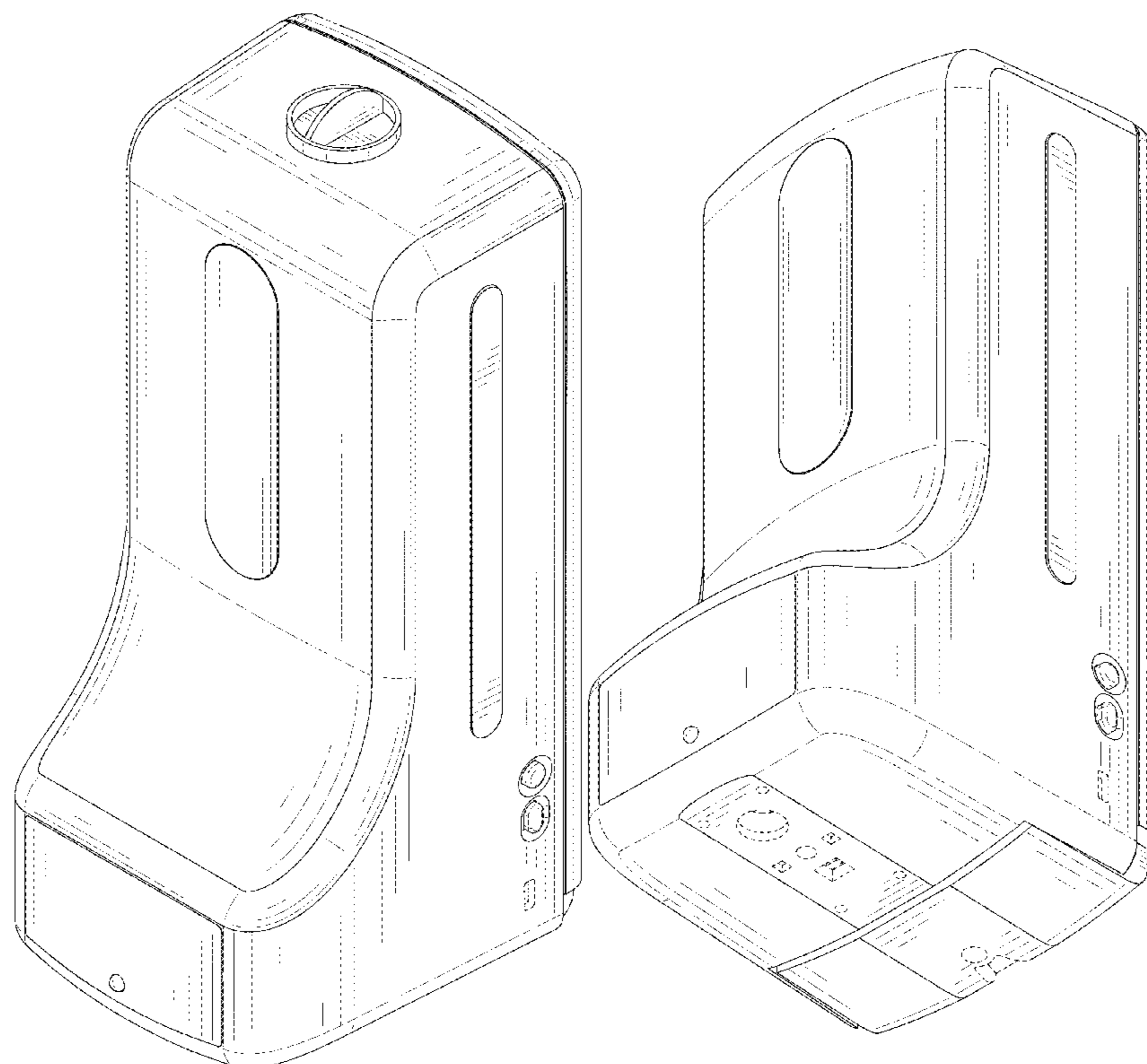
The ornamental design for a thermometer, as shown and described.

**DESCRIPTION**

FIG. 1 is a front, right, top perspective view of a thermometer showing our new design;  
FIG. 2 is a front, right, bottom perspective view of a thermometer showing our new design;  
FIG. 3 is a front elevation view thereof;  
FIG. 4 is a rear elevation view thereof;  
FIG. 5 is a left side view thereof;  
FIG. 6 is a right side view thereof;  
FIG. 7 is a top view thereof; and,  
FIG. 8 is a bottom view thereof.

The broken lines in the drawings are for the purpose of illustrating unclaimed portions of the thermometer and form no part of the claimed design.

**1 Claim, 8 Drawing Sheets**



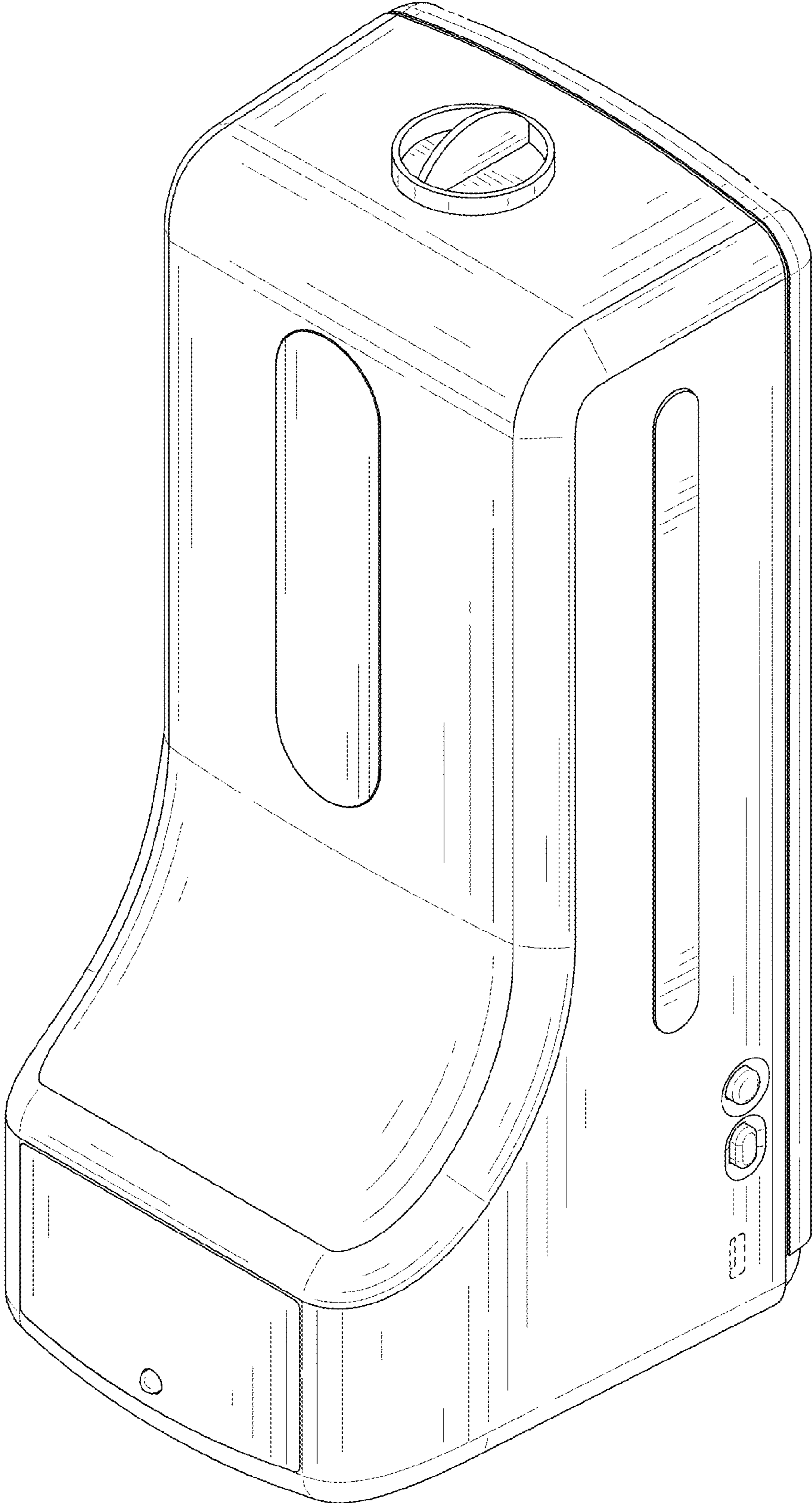


FIG. 1

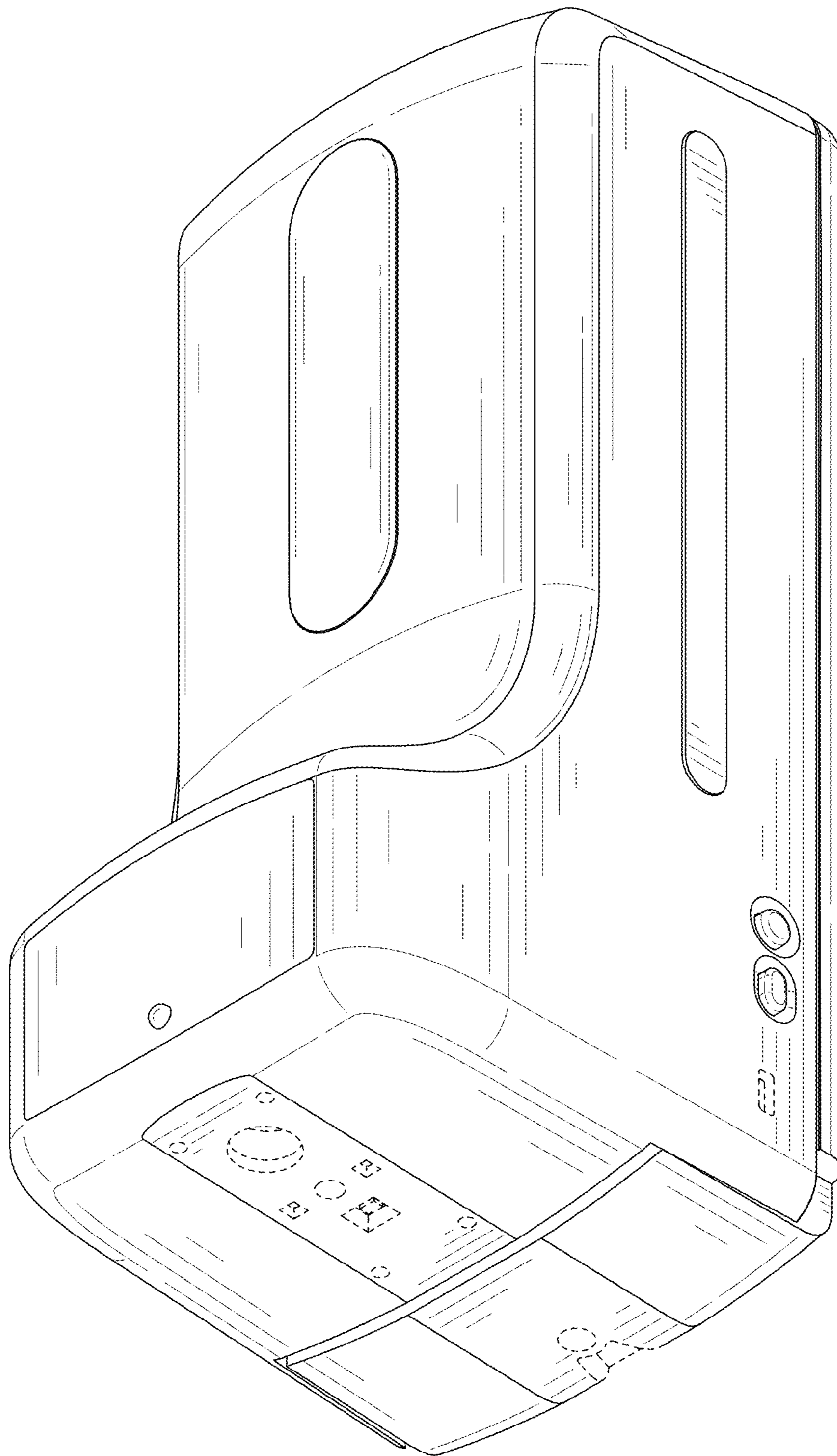


FIG. 2

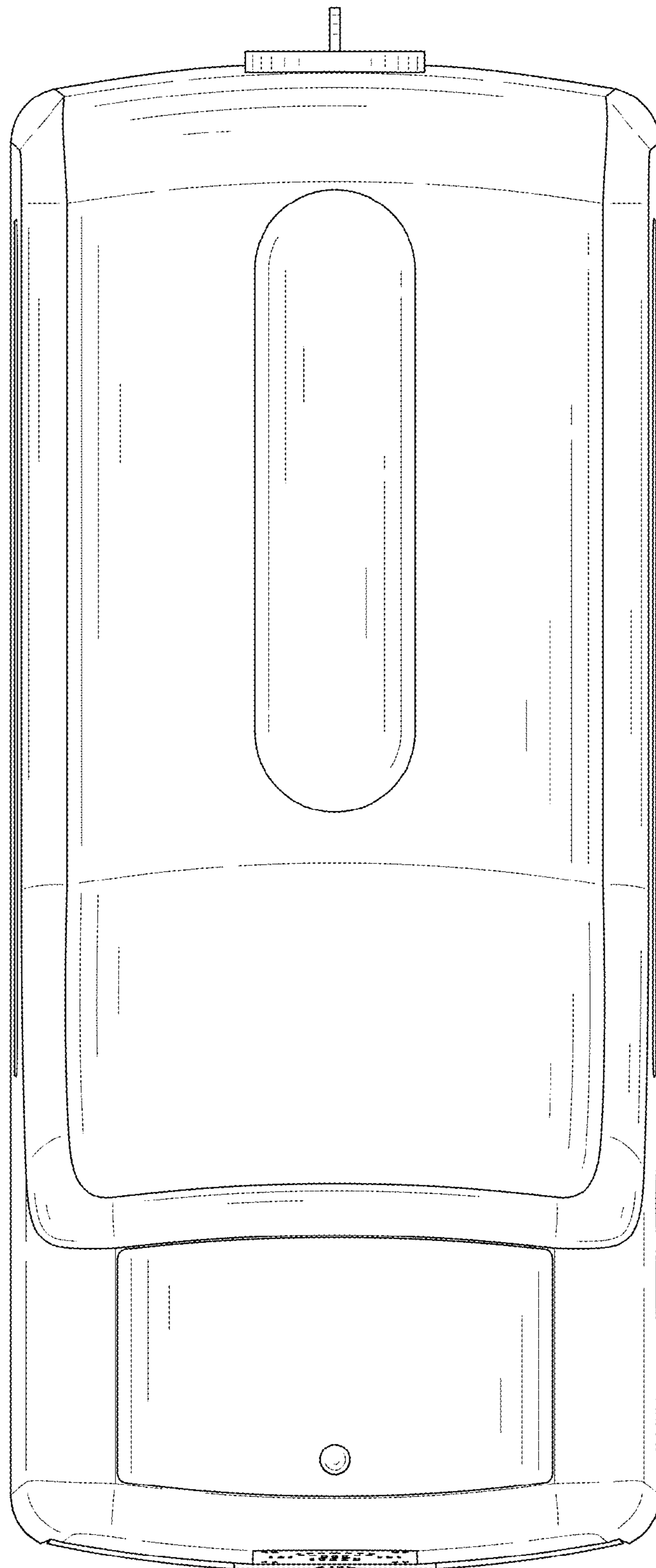


FIG. 3

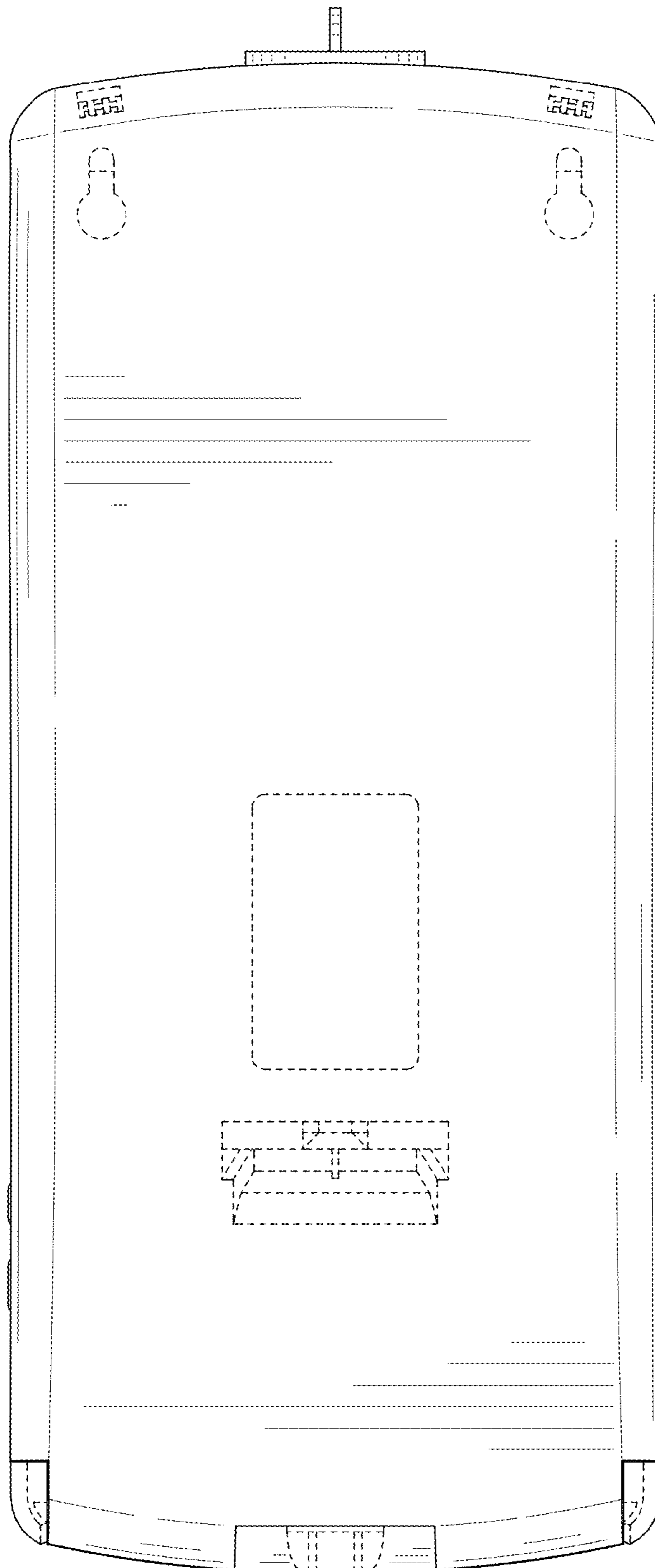


FIG. 4

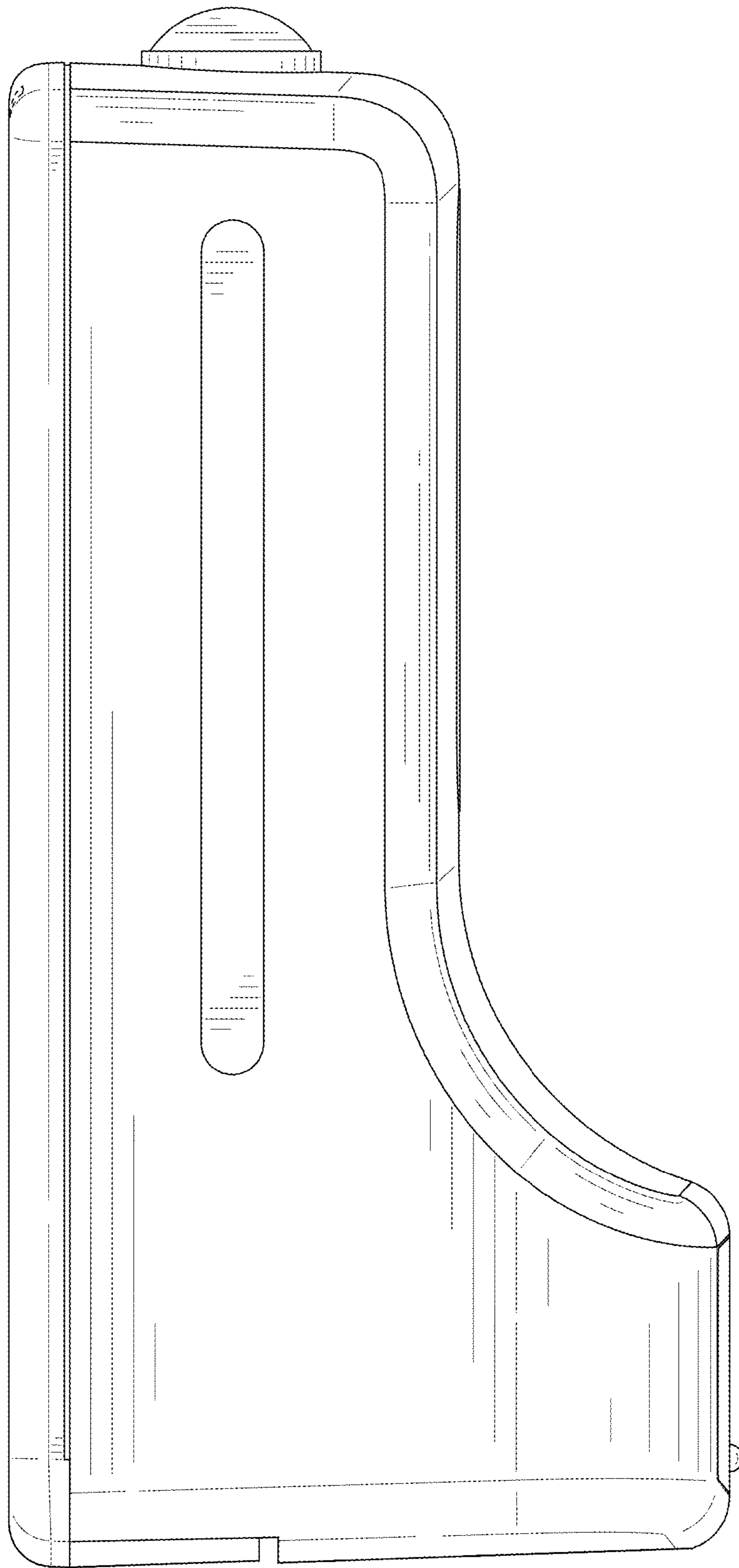


FIG. 5

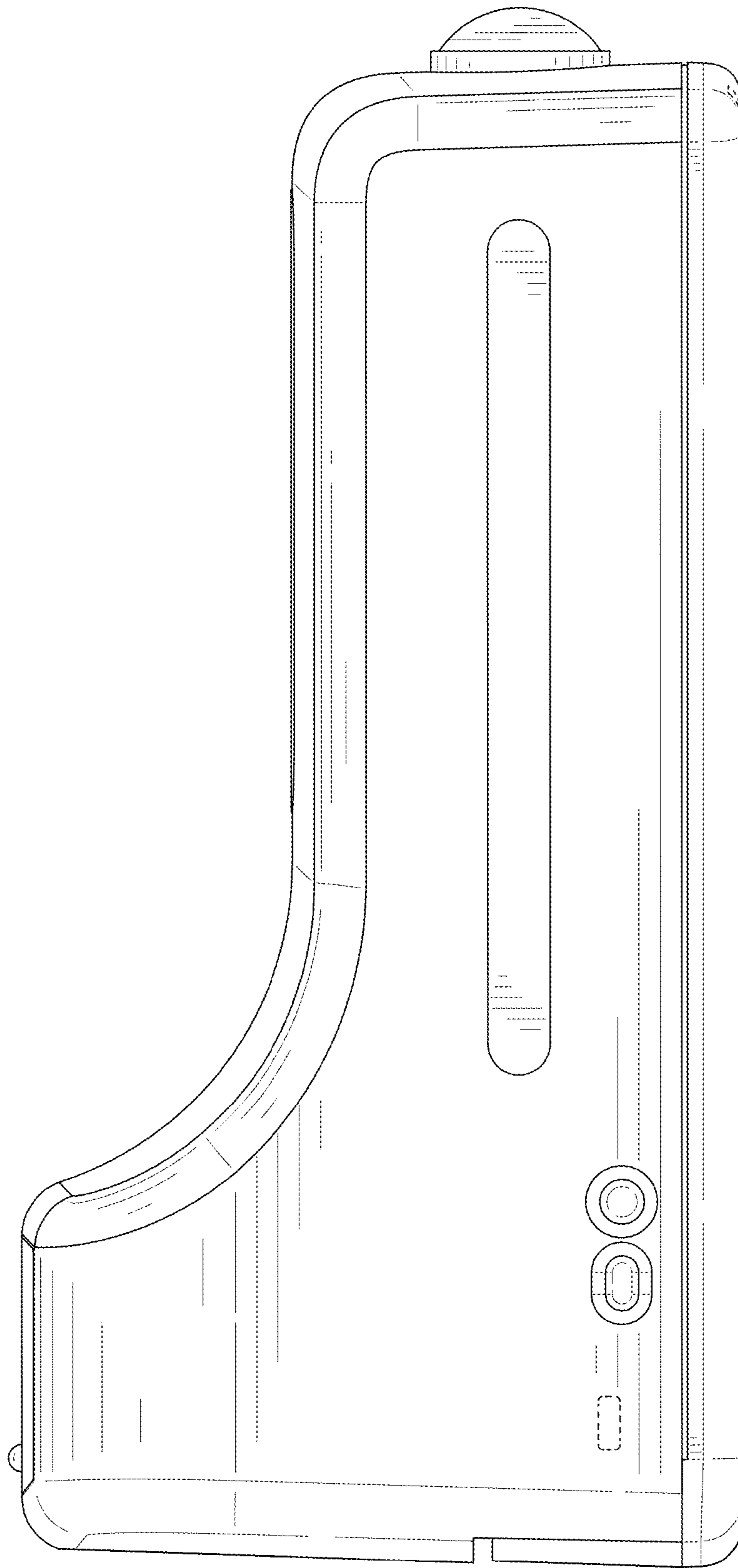


FIG. 6

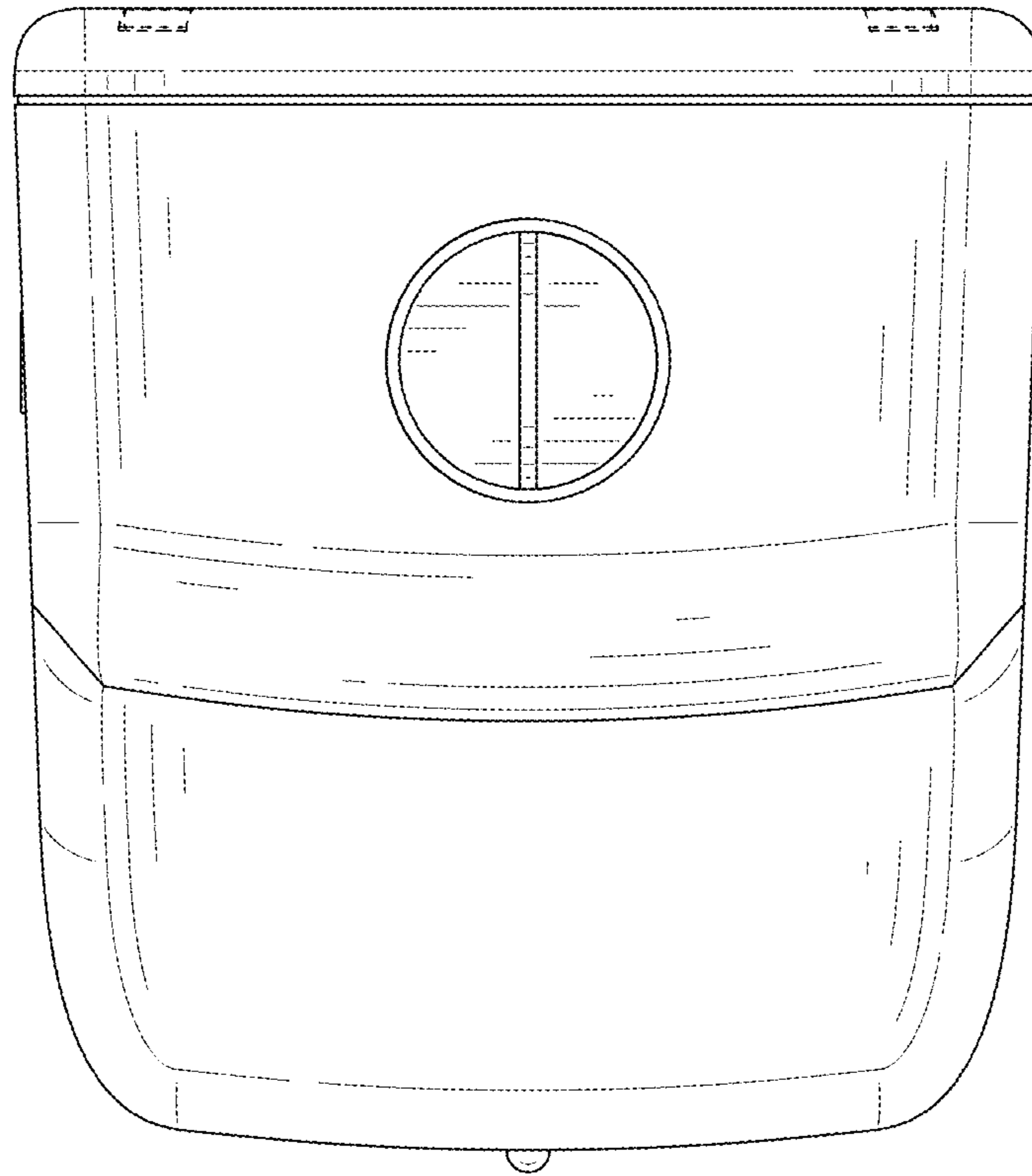


FIG. 7



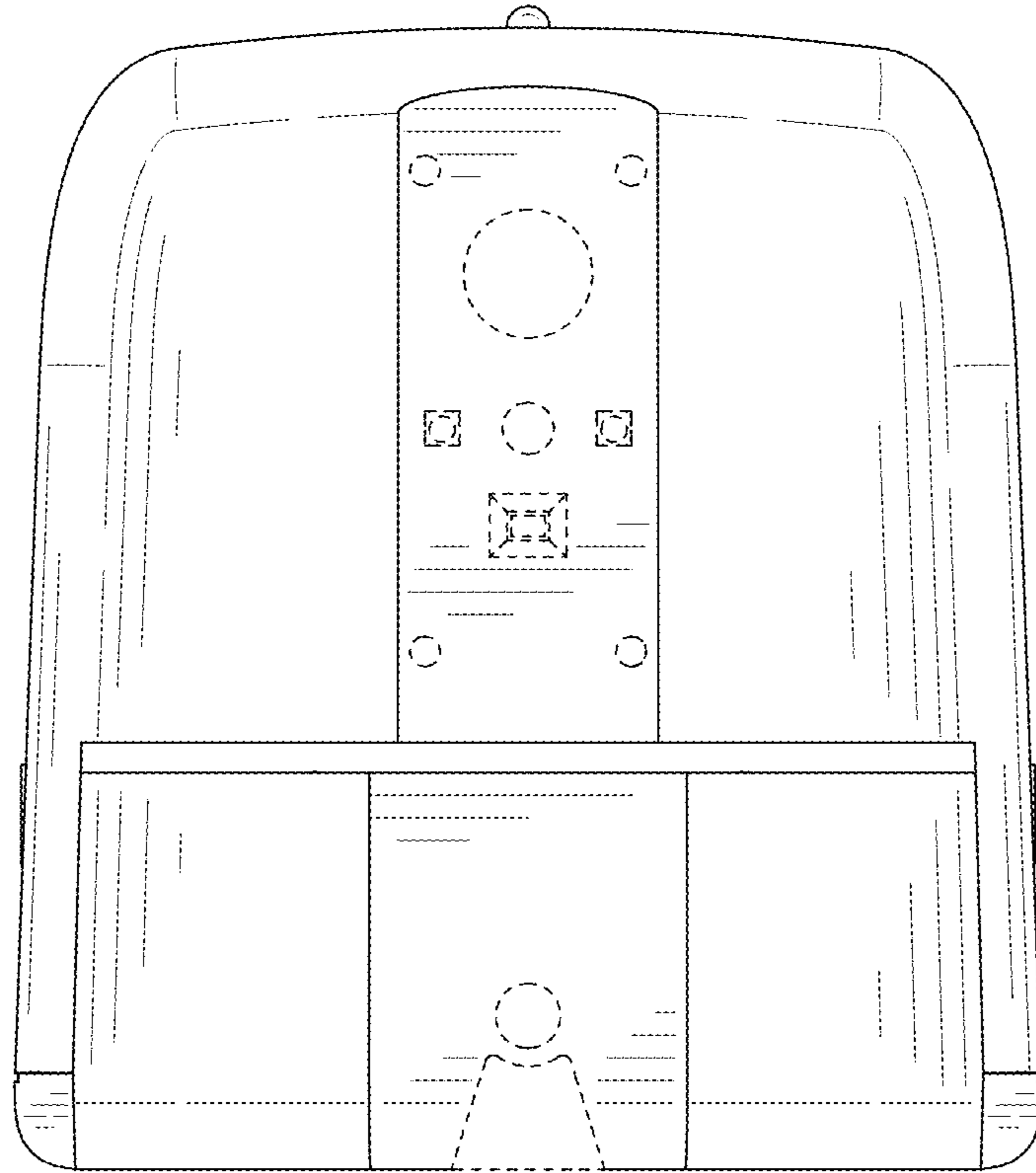


FIG. 8