



US00D953172S

(12) **United States Design Patent** (10) **Patent No.:** **US D953,172 S**  
**Rattanapaibooncharoen** (45) **Date of Patent:** **\*\* May 31, 2022**

(54) **CUP CARRIER**

(71) Applicant: **Jirasak Rattanapaibooncharoen,**  
Tigard, OR (US)

(72) Inventor: **Jirasak Rattanapaibooncharoen,**  
Tigard, OR (US)

(\*\*) Term: **15 Years**

(21) Appl. No.: **29/823,448**

(22) Filed: **Jan. 18, 2022**

(Single Cup). Online, published date Aug. 10, 2020. Retrieved on Feb. 12, 2022 from URL: [https://www.amazon.com/Plastic-Containers-Delivery-Han.\\*](https://www.amazon.com/Plastic-Containers-Delivery-Han.*)

(Continued)

*Primary Examiner* — Omeed Agilee

(74) *Attorney, Agent, or Firm* — Enterprise Patent LLC

(57) **CLAIM**

I claim the ornamental design for a cup carrier, as shown and described.

**DESCRIPTION**

FIG. 1 is a top plan view of a cup carrier in an unfolded configuration (and the bottom view is a mirror image of the top plan view);

FIG. 2 is a front elevation view of the cup carrier thereof (and the rear elevation view is an identical image of the front elevation view);

FIG. 3 is a right side elevation view of the cup carrier thereof (and the left side elevation view is an identical image of the right side elevation view);

FIG. 4 is top plan view of the cup carrier of FIG. 1, shown in a folded configuration;

FIG. 5 is a front elevation view of the cup carrier of FIG. 1, shown in a folded configuration (and the rear elevation view of the folded arrangement is an identical image of the front elevation view of the folded arrangement);

FIG. 6 is bottom view of the cup carrier of FIG. 1, shown in a folded configuration;

FIG. 7 is an isometric view of the cup carrier of FIG. 1, shown in a folded configuration; and,

FIG. 8 is a right side elevation view of the cup carrier of FIG. 1, shown in a folded configuration (and the left side elevation view of the folded arrangement is a mirror image of the right side elevation view of the folded arrangement).

The longer-sized dash lines in the form of a cup depicts environmental subject matter and form no part of the claimed design. The medium-sized and shorter-sized dash lines depict portions of the cup carrier that form no part of the claimed design.

**Related U.S. Application Data**

(63) Continuation of application No. 29/715,289, filed on Nov. 29, 2019, now Pat. No. Des. 944,655.

(51) **LOC (13) Cl.** ..... **09-03**

(52) **U.S. Cl.**  
USPC ..... **D9/753; D9/433**

(58) **Field of Classification Search**  
USPC ..... D9/414–420, 421–433, 434, 442, 445, D9/456, 542, 563, 600, 614–624, 707,  
(Continued)

(56) **References Cited**

**U.S. PATENT DOCUMENTS**

2,371,317 A 3/1945 Ringler  
2,533,997 A 12/1950 Cochrane  
(Continued)

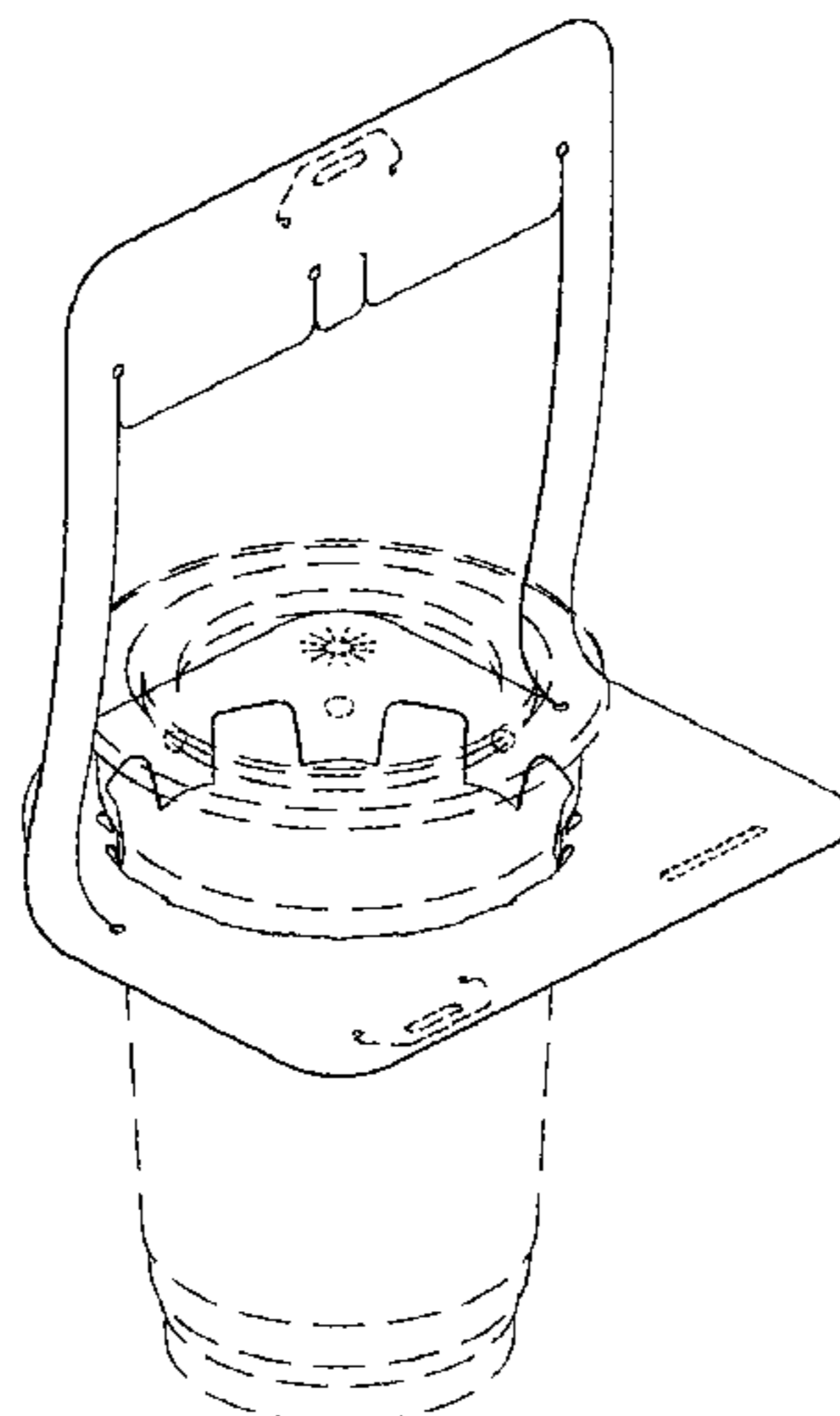
**FOREIGN PATENT DOCUMENTS**

CN 101801807 6/2012  
KR 3020120033353 8/2012  
(Continued)

**OTHER PUBLICATIONS**

100PCS Plastic Clear Handle Drink Containers Bags for Shops Stores Delivery Hanging Carry Take Out Beverage Coffe Milk Juice Water Tea Hole Liquid Pouches Single or Double Cups

**1 Claim, 3 Drawing Sheets**



(58) **Field of Classification Search**

USPC ..... D9/708, 711, 751–755, 759; D3/273,  
D3/276, 304, 309–313; D7/601, 602, 709  
CPC ..... B65D 5/00; B65D 5/001; B65D 5/0027;  
B65D 5/0254; B65D 5/18; B65D 5/38;  
B65D 5/40; B65D 5/2033; B65D  
5/48024; B65D 5/6605; B65D 1/22;  
B65D 1/24; B65D 1/34; B65D 71/0007;  
B65D 71/50; B65B 5/06

See application file for complete search history.

(56) **References Cited**

U.S. PATENT DOCUMENTS

3,094,259 A \* 6/1963 Diehl ..... B65D 71/44  
229/932  
3,298,563 A 1/1967 Rabb  
3,367,557 A 2/1968 Farquhar  
4,196,807 A 4/1980 Brom  
D286,507 S 11/1986 Drago  
D287,789 S 1/1987 Johnson  
4,799,723 A 1/1989 Mahaffy  
4,850,479 A 7/1989 Bird  
5,060,999 A 10/1991 Marvin  
5,069,335 A 12/1991 Beales  
5,098,144 A 3/1992 Marvin  
5,267,644 A 12/1993 Tsao  
5,526,925 A \* 6/1996 Bernstein ..... B65D 71/44  
294/87.2  
5,624,024 A 4/1997 Miess  
5,755,474 A 5/1998 Slomski  
5,927,502 A \* 7/1999 Hunter ..... B65D 21/02  
206/427  
6,129,397 A 10/2000 Borg  
6,561,353 B2 5/2003 Levieux et al.  
8,091,702 B1 1/2012 Keip  
D694,125 S \* 11/2013 Holsmer ..... D9/753  
D709,375 S 7/2014 Smith  
D729,073 S \* 5/2015 Wasilewski ..... D9/753  
D732,977 S 6/2015 Booth et al.  
D781,158 S \* 3/2017 Bosworth ..... D9/752  
D786,702 S \* 5/2017 Borg ..... D9/752

9,932,160 B2 4/2018 Smith  
10,045,645 B2 \* 8/2018 Kim ..... B65D 71/48  
D831,503 S 10/2018 Borg  
10,532,868 B2 \* 1/2020 Wintz ..... B65D 73/0085  
D881,718 S \* 4/2020 Bandinu ..... D9/755  
D889,960 S 7/2020 Kollias  
D918,057 S 5/2021 L'Heureux  
D924,680 S 7/2021 Johnson  
2004/0134799 A1 \* 7/2004 Mattson ..... B65D 71/504  
206/150  
2007/0199859 A1 8/2007 Cook et al.  
2008/0087558 A1 4/2008 Libit et al.  
2008/0203204 A1 8/2008 Olsen  
2009/0266872 A1 10/2009 Fogle et al.  
2010/0096397 A1 4/2010 Weinberger  
2011/0272299 A1 \* 11/2011 Smith ..... B65D 71/46  
206/175  
2015/0353252 A1 12/2015 Zammit et al.  
2020/0189820 A1 \* 6/2020 Smalley ..... B31B 50/262  
2021/0163199 A1 6/2021 Rattanapaibooncharoen

FOREIGN PATENT DOCUMENTS

KR 101656733 9/2016  
KR 10-2019-0041664 4/2019  
KR 3020200015537 10/2020  
KR 3020210012463 \* 7/2021  
WO 2013019834 2/2013

OTHER PUBLICATIONS

Coffee cup holder realistic mockup empty vector image. Online, published date unknown. Retrieved on Feb. 12, 2022 from URL: <https://www.vectorstock.com/royalty-free-vector/coffee-cup-holder-realistic-mockup-empty-vector-19053796>.  
English Translation of CN101801807, published Jun. 6, 2012. (Downloaded from Google Patents on Nov. 2, 2019).  
UKIPO Search Report (Apr. 26, 2021).  
Splittable Drink Carriers (400 units Plain White). Online, published date unknown. Retrieved on Aug. 15, 2021 from URL: <https://www.packgenie.co.uk/products/beer-carriers?variant=31601205674057>.

\* cited by examiner

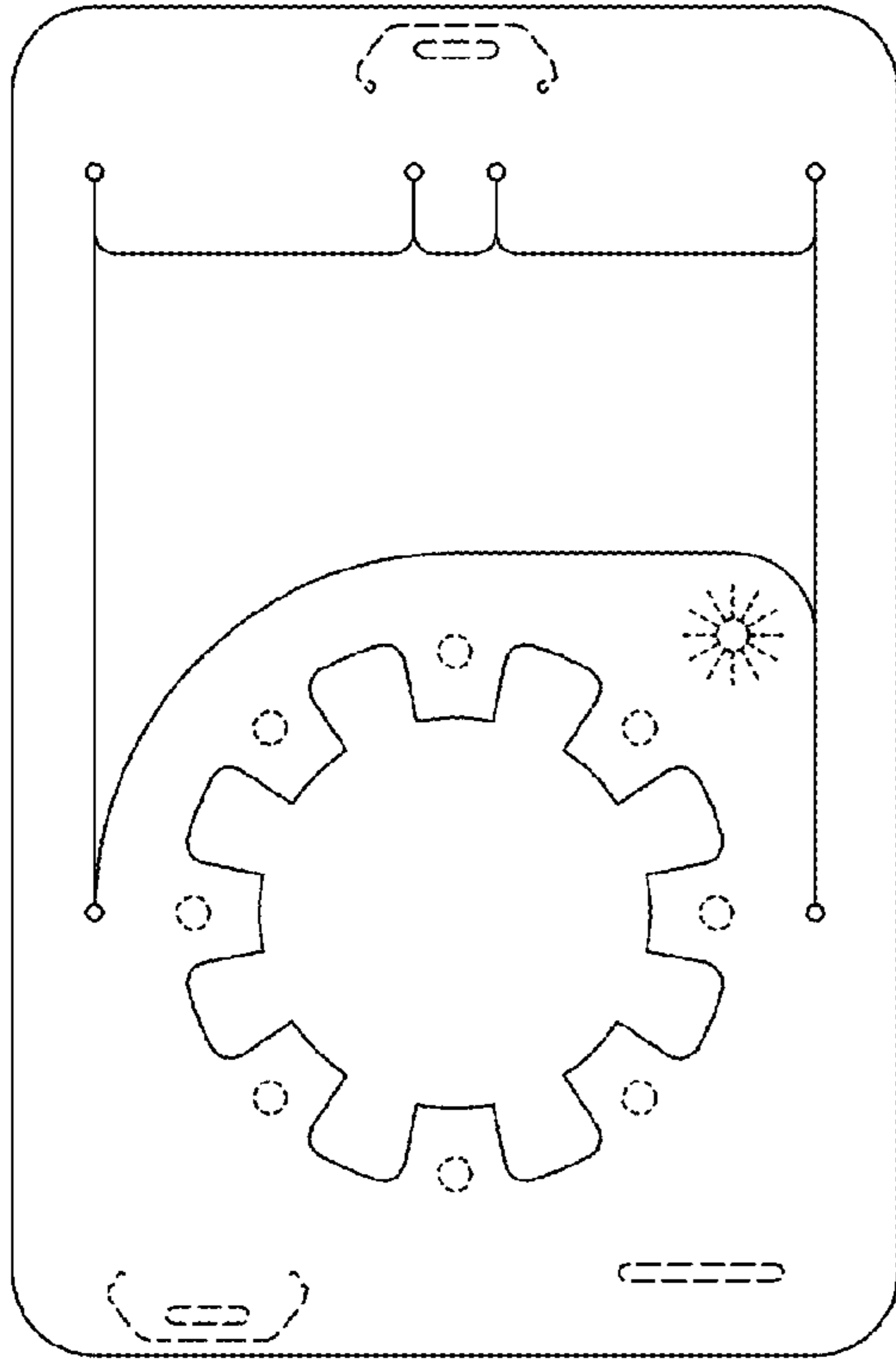


FIG. 1



FIG. 3



FIG. 2

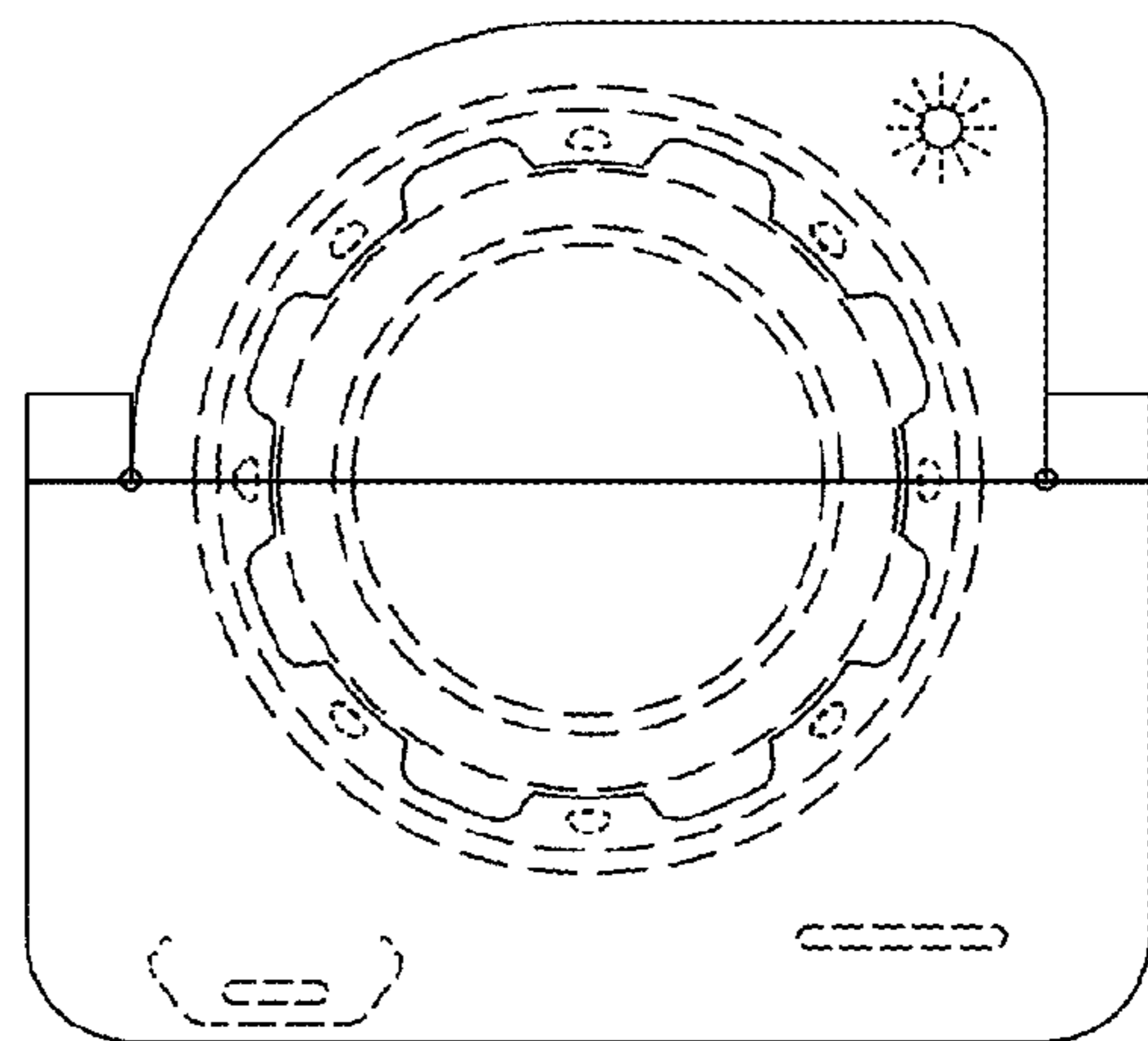


FIG. 4

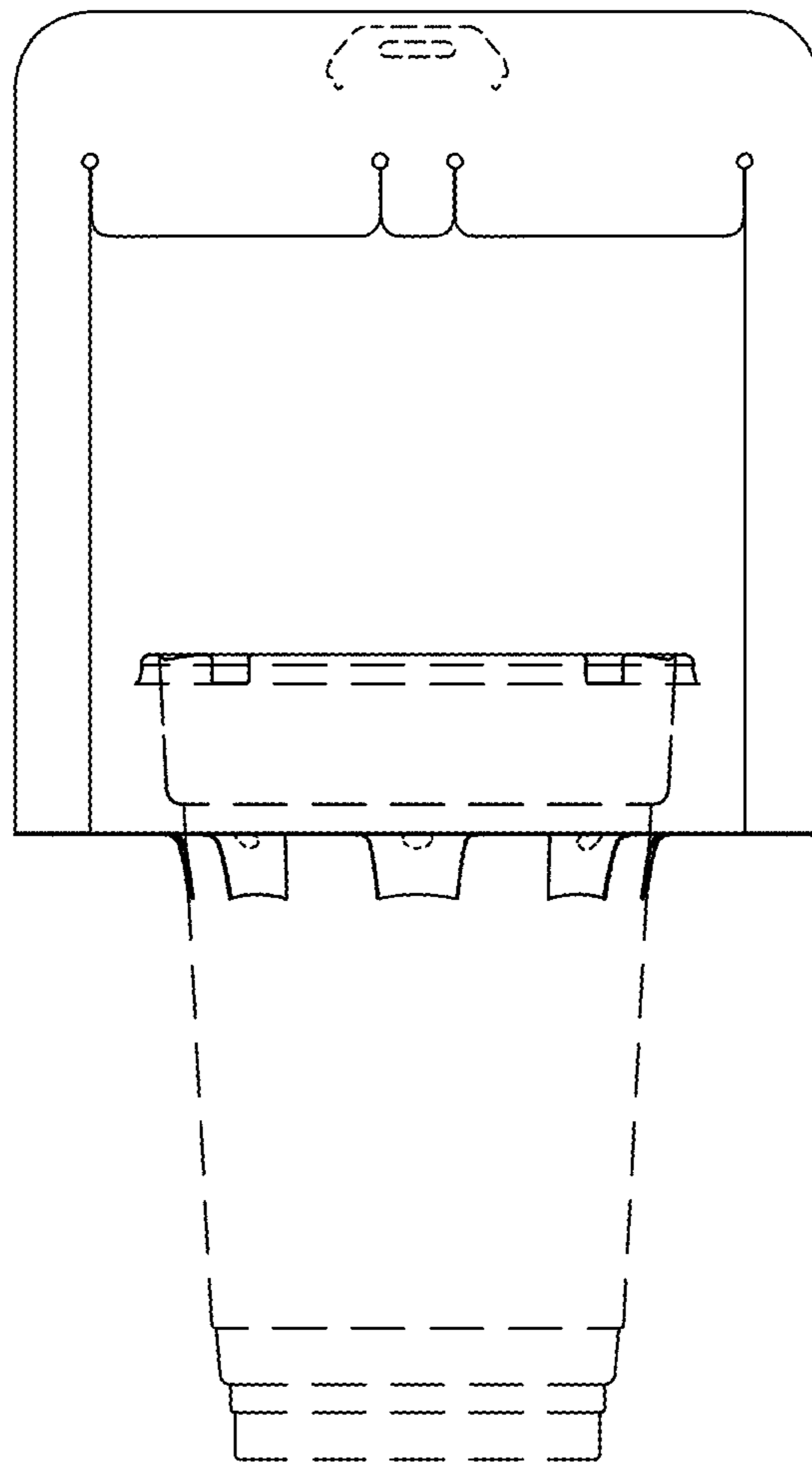


FIG. 5

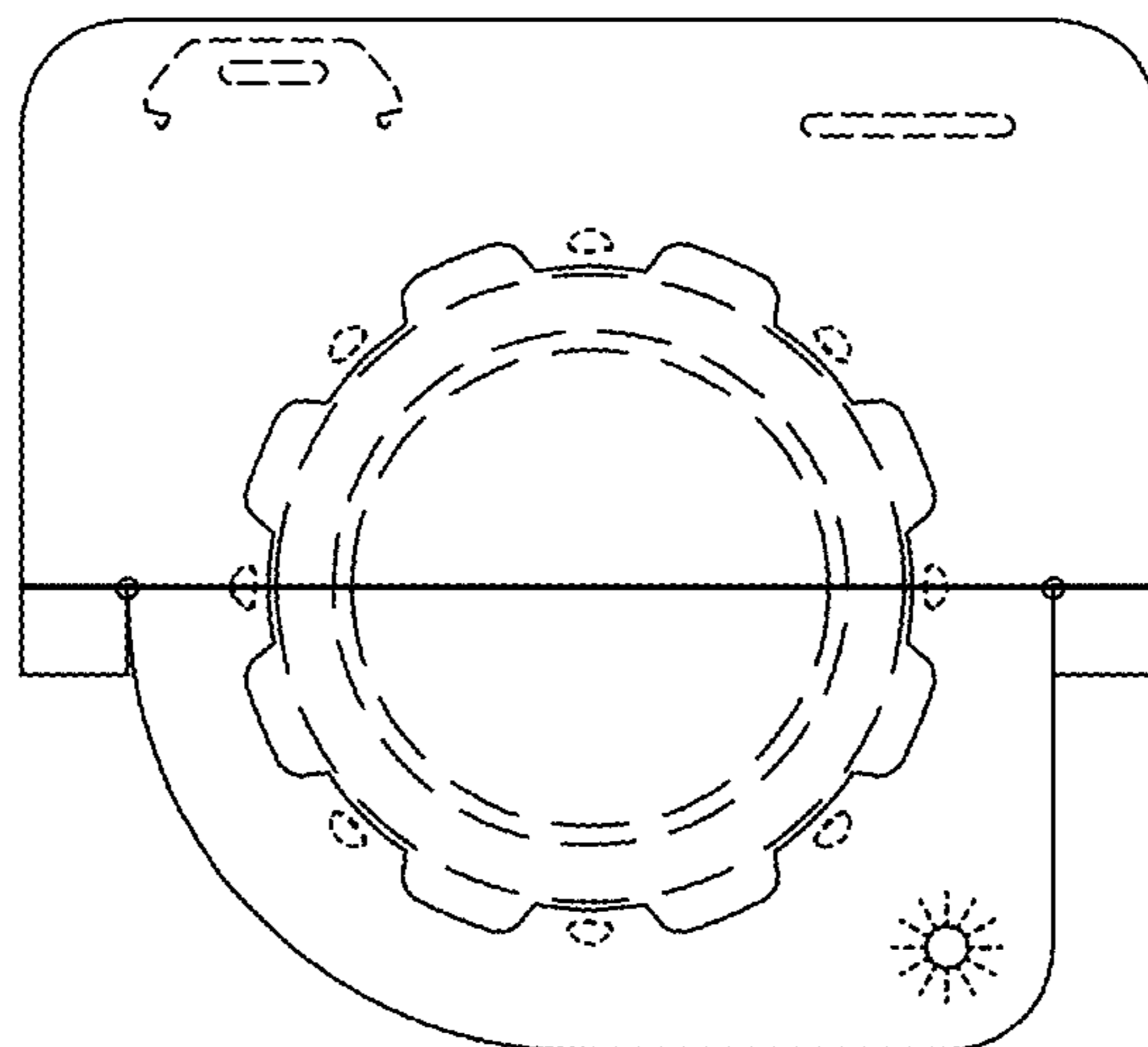


FIG. 6

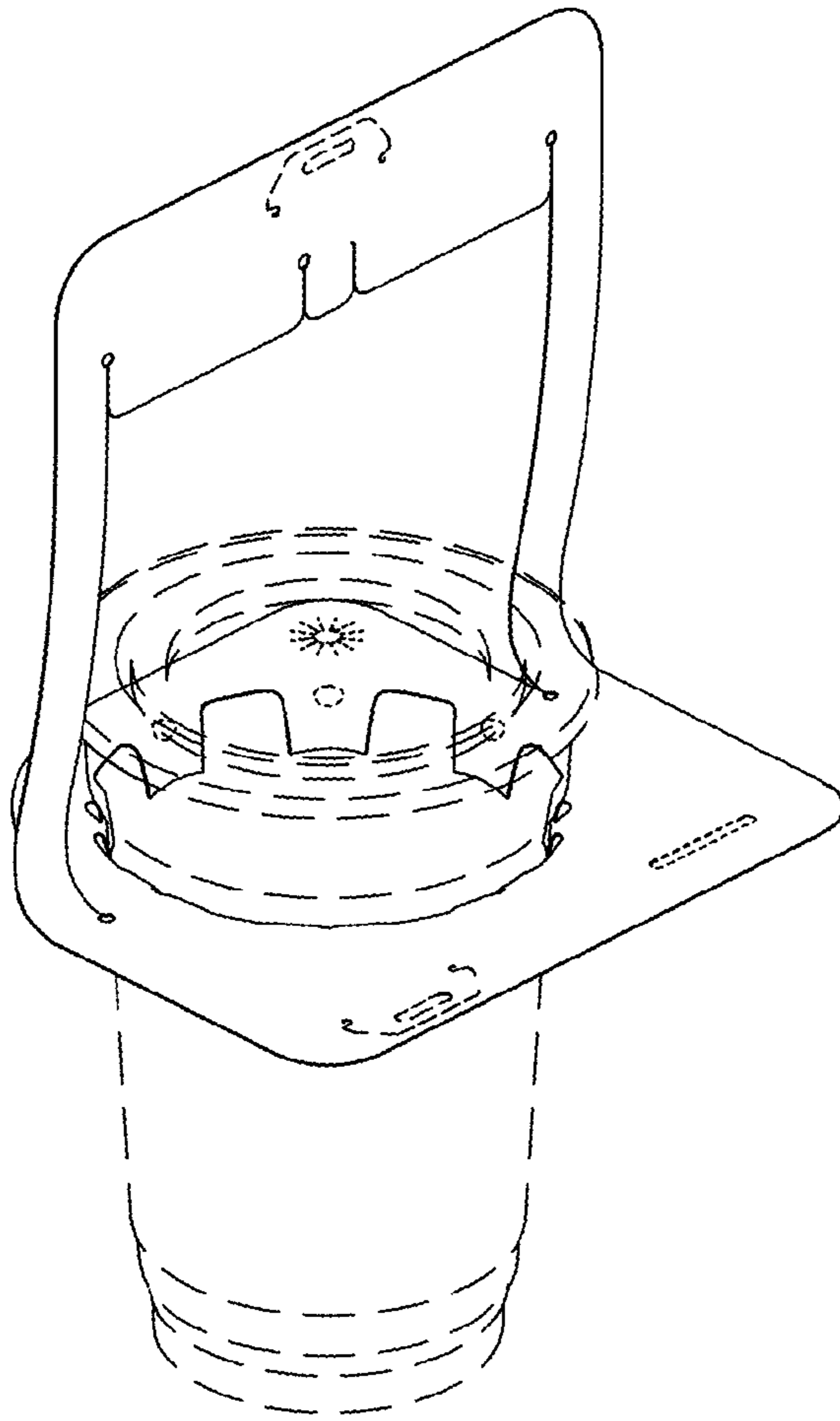


FIG. 7

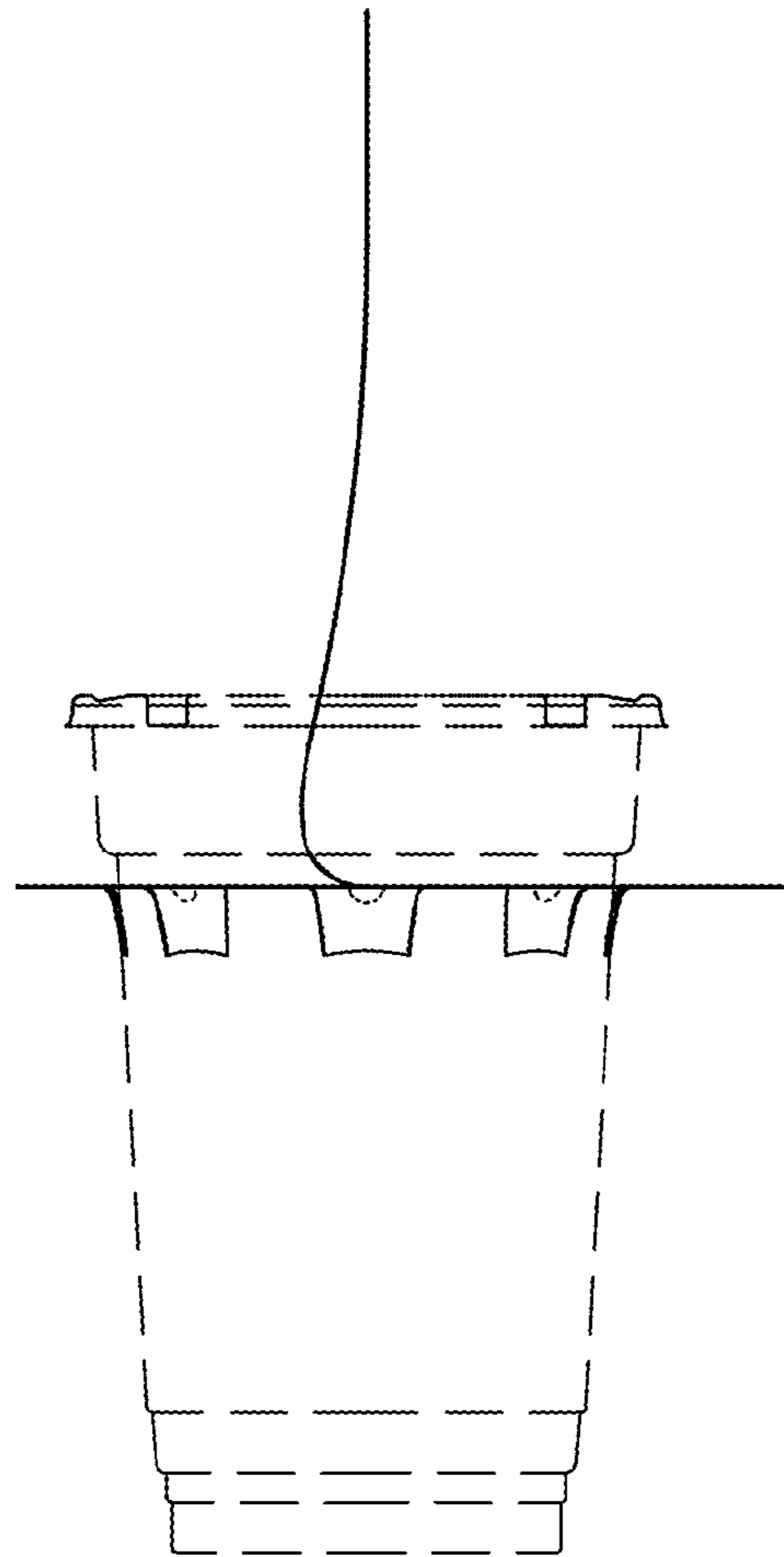


FIG. 8