



US00D953171S

(12) **United States Design Patent** (10) **Patent No.:** **US D953,171 S**
Kurtin et al. (45) **Date of Patent:** **** *May 31, 2022**

(54) **STORAGE BAG**

(71) Applicants: **Roger Thomas Kurtin**, Houston, TX (US); **Diana Ya-Wen Wang**, Houston, TX (US)

(72) Inventors: **Roger Thomas Kurtin**, Houston, TX (US); **Diana Ya-Wen Wang**, Houston, TX (US)

(*) Notice: This patent is subject to a terminal disclaimer.

(**) Term: **15 Years**

(21) Appl. No.: **29/748,878**

(22) Filed: **Sep. 1, 2020**

(51) **LOC (13) Cl.** **09-05**

(52) **U.S. Cl.**
USPC **D9/703**

(58) **Field of Classification Search**

USPC D9/702-714, 719, 738-740, 517-518, D9/522, 416, 435, 444, 460, 455, 414, D9/499, 431-432; D7/560-562; 206/434, 426-427, 429-430, 485, 485.1, 206/499, 508, 431, 418-422, 588-594; 229/117.3, 185, 121, 122, 200, 207, 236, 229/87.01; 220/23.83; 150/100-118; 294/137, 152; 383/6, 10, 14, 20, 40, 33, 383/104-105, 117, 108, 120, 93, 121.1, 383/127; 428/34.3
CPC B65D 33/00; B65D 33/06; B65D 33/065; B65D 33/14; B65D 33/1683; B65D 33/12; B65D 31/00; B65D 31/04; B65D 31/10; A45C 3/04; A45C 3/10

See application file for complete search history.

(56) **References Cited**

U.S. PATENT DOCUMENTS

3,185,384 A *	5/1965	Ragan	B65D 31/00 383/124
D229,896 S *	1/1974	Bemel	D9/703
D237,780 S *	11/1975	Bemel	D9/703
D749,964 S *	2/2016	Glass	D9/703
D900,629 S *	11/2020	Milos	D9/703
D909,211 S *	2/2021	Bornmiller	D9/703
D925,375 S *	7/2021	Malin	B65D 33/02 D9/703

* cited by examiner

Primary Examiner — Abraham Bahta

(74) *Attorney, Agent, or Firm* — Malcolm E. Whittaker; Whittaker Law Firm

(57) **CLAIM**

The ornamental design for a storage bag, as shown and described.

DESCRIPTION

FIG. 1 is a perspective view of the storage bag in upright position showing my new design;
FIG. 2 is a top view thereof;
FIG. 3 is a left side view, the right side view being a mirror image thereof;
FIG. 4 is a front view, the rear view being a mirror image thereof;
FIG. 5 is a bottom view thereof;
FIG. 6 is a perspective view of the storage bag in an unopened flat position;
FIG. 7 is a front view, the rear view being a mirror image thereof;
FIG. 8 is a top view thereof;
FIG. 9 is a bottom view thereof; and,
FIG. 10 is a left side view, the right side view being a mirror image thereof.

1 Claim, 4 Drawing Sheets

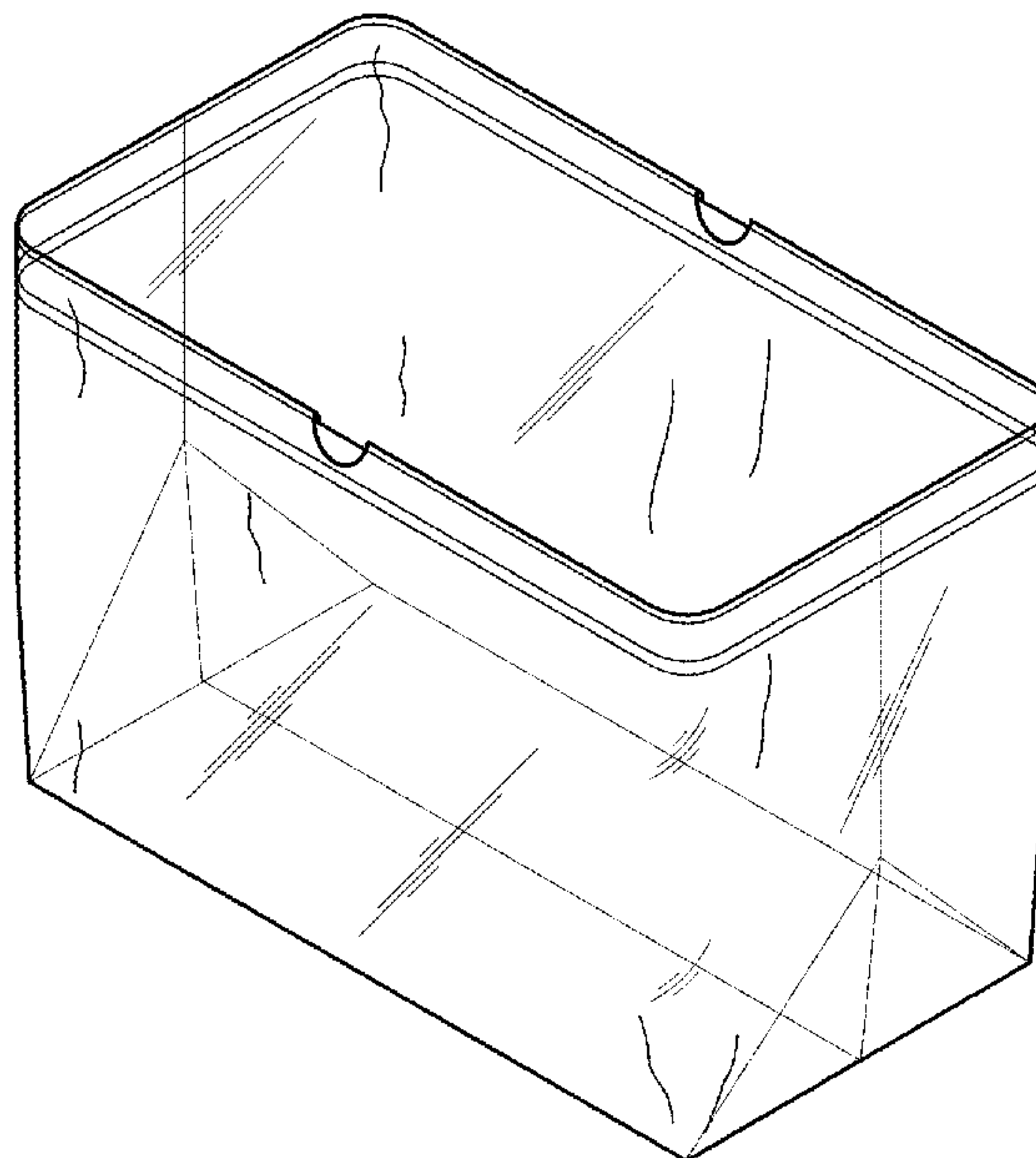


FIG. 1

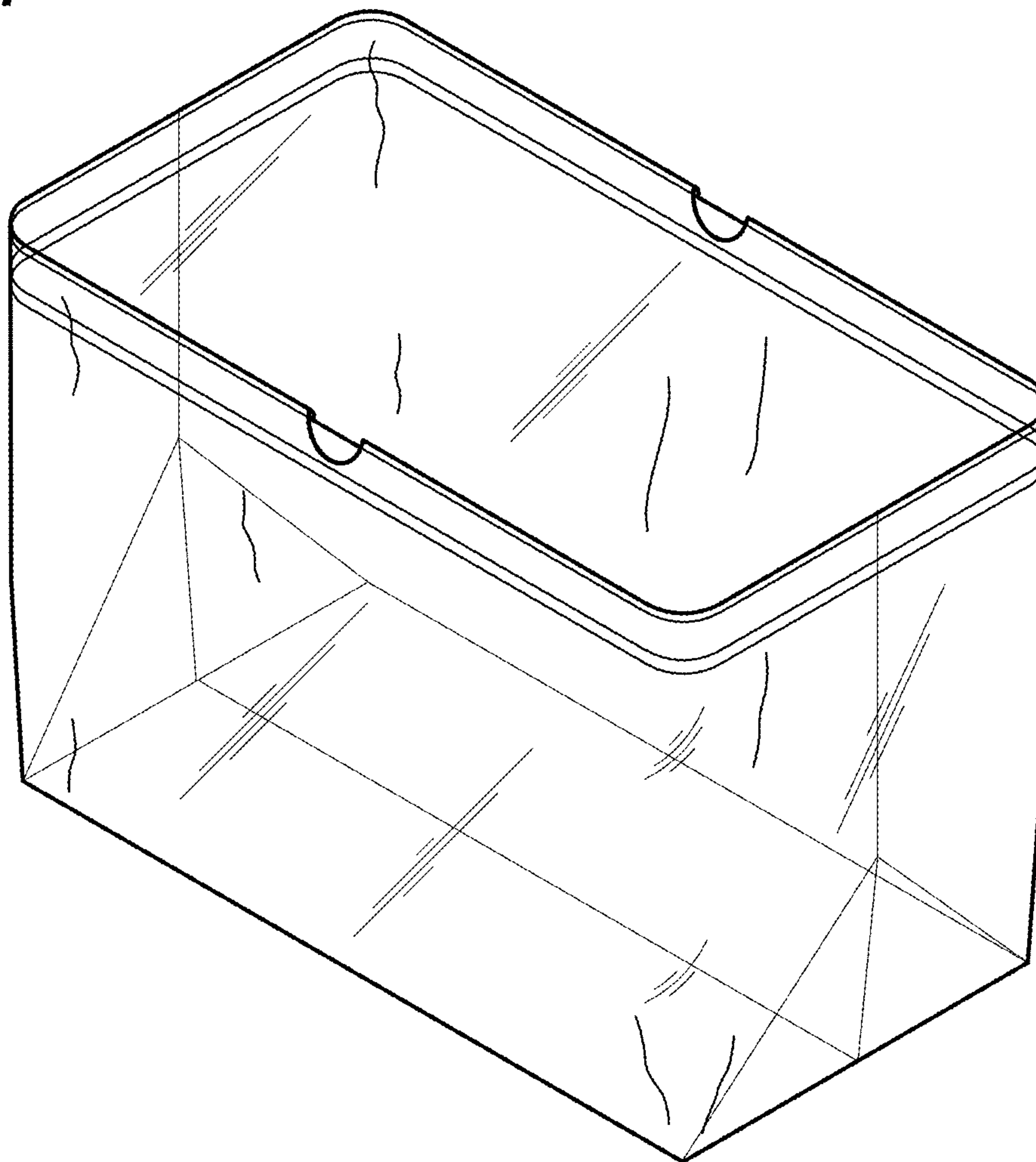


FIG. 2

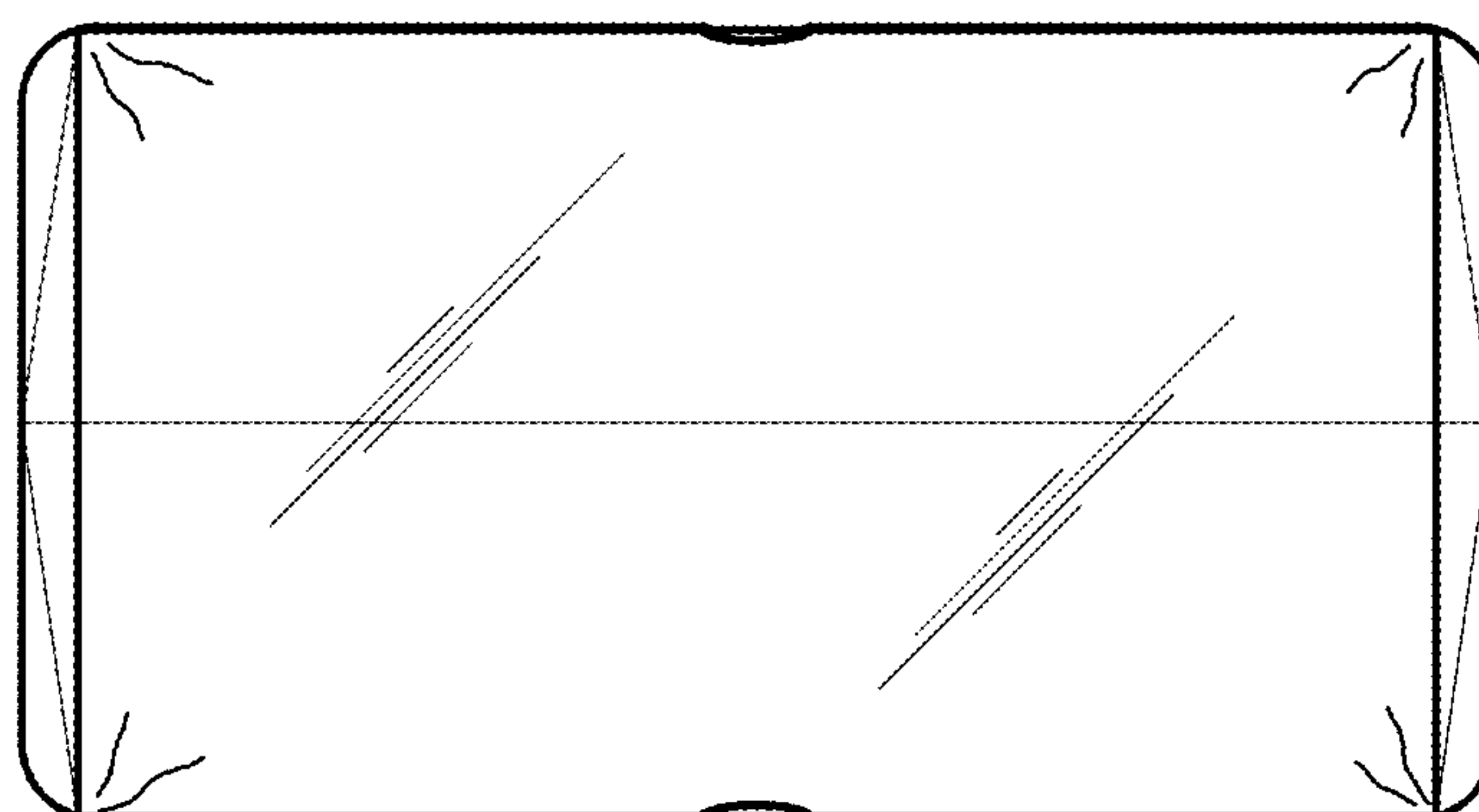


FIG. 3

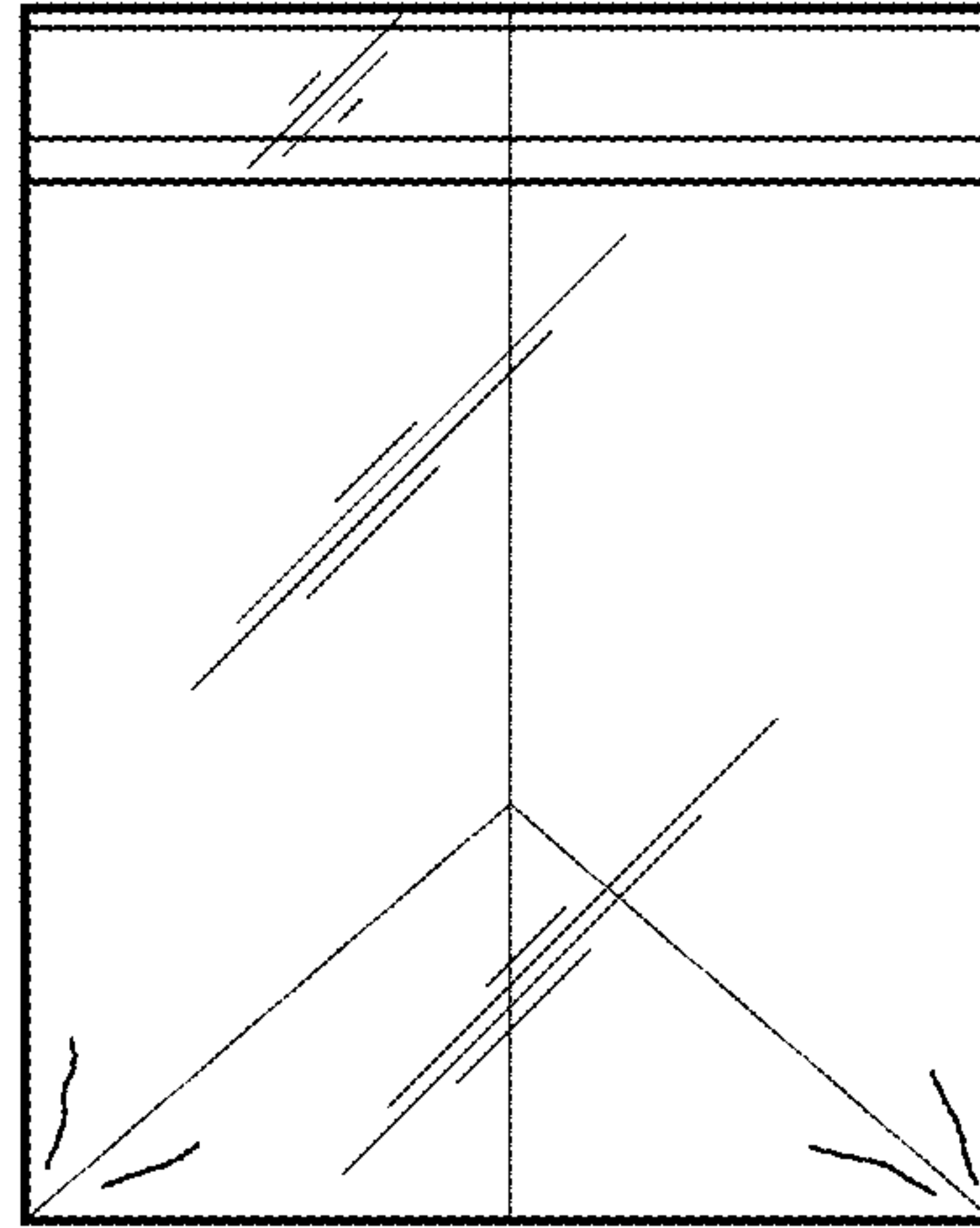


FIG. 4

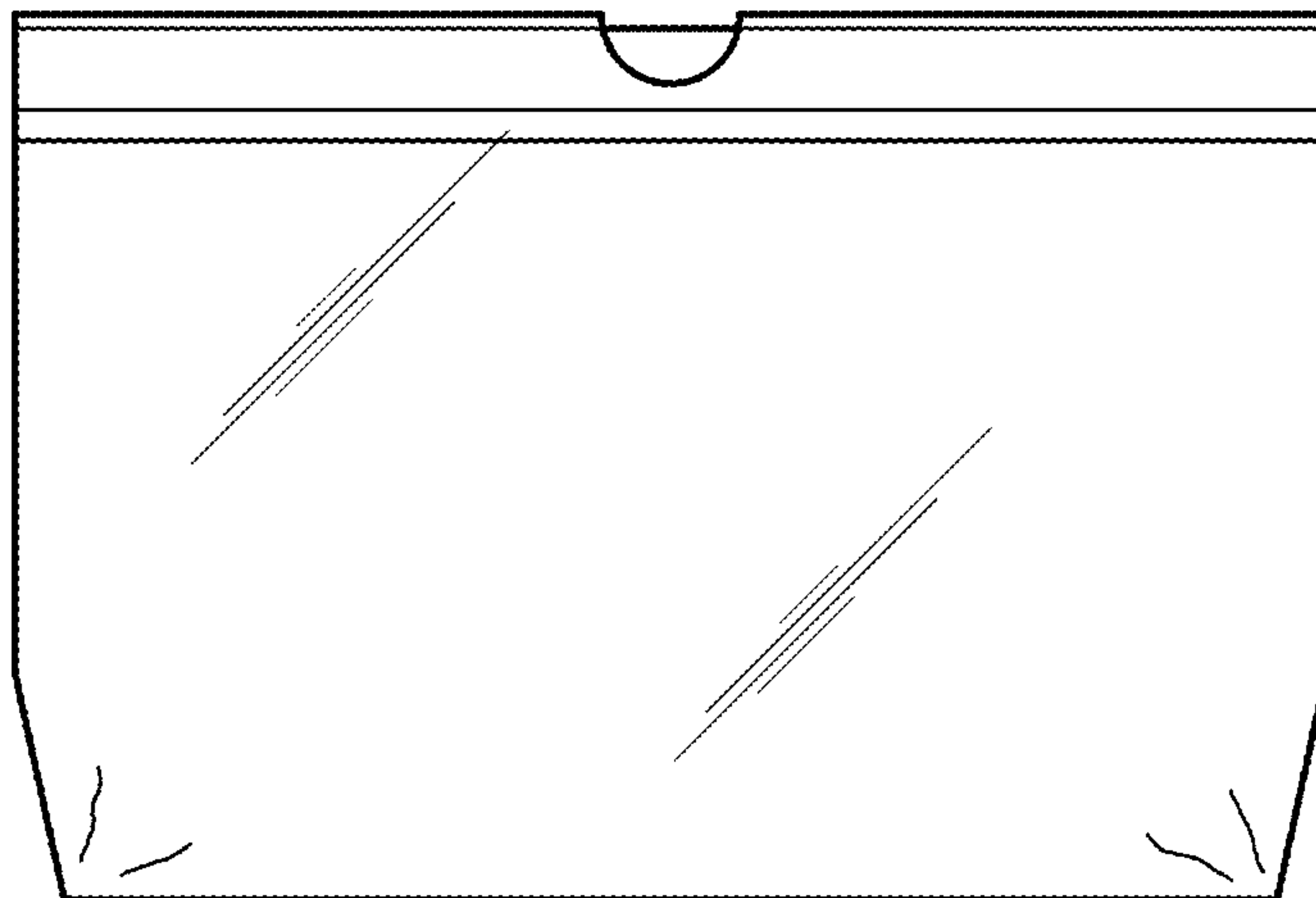


FIG. 5

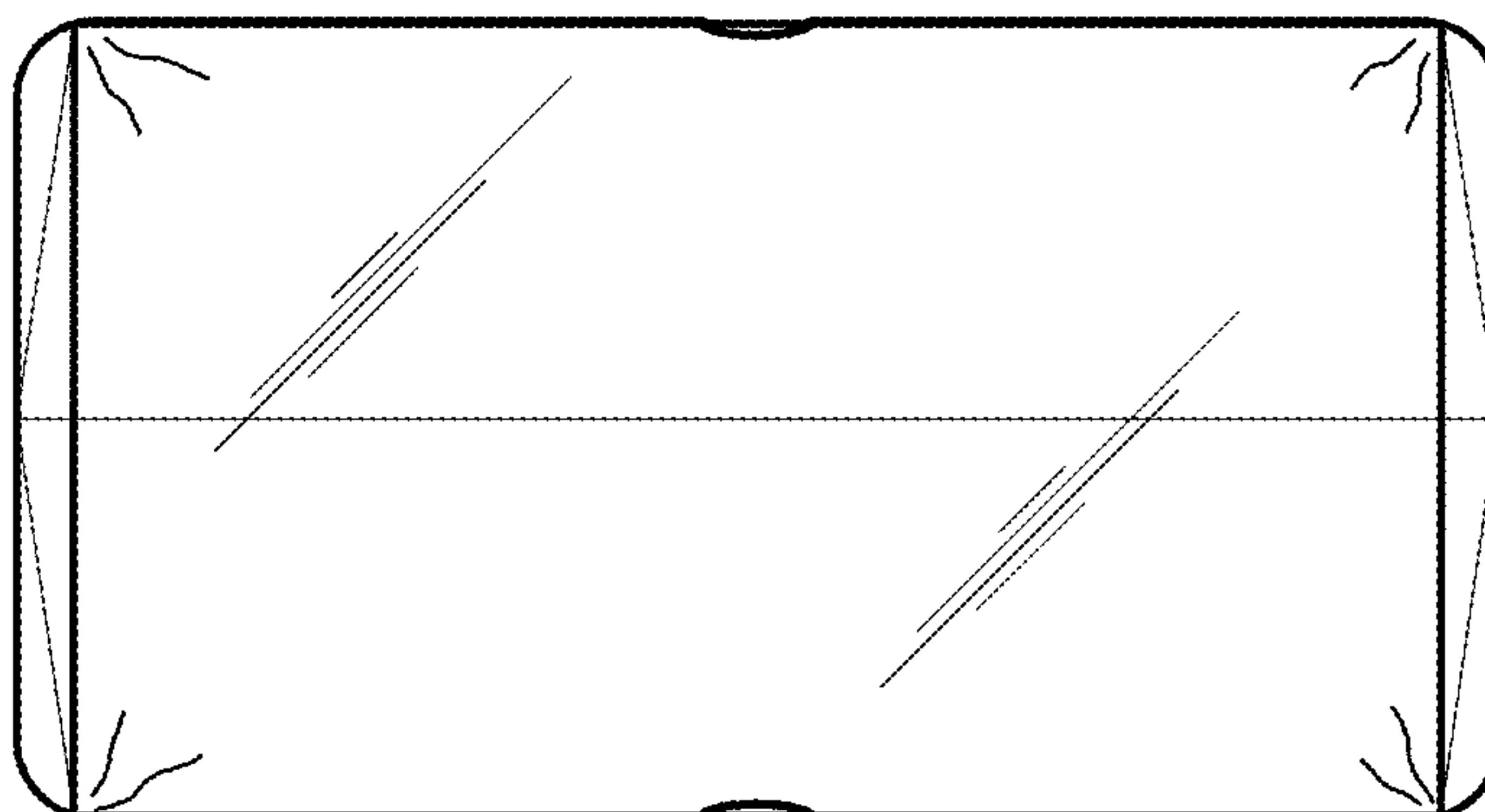


FIG. 6

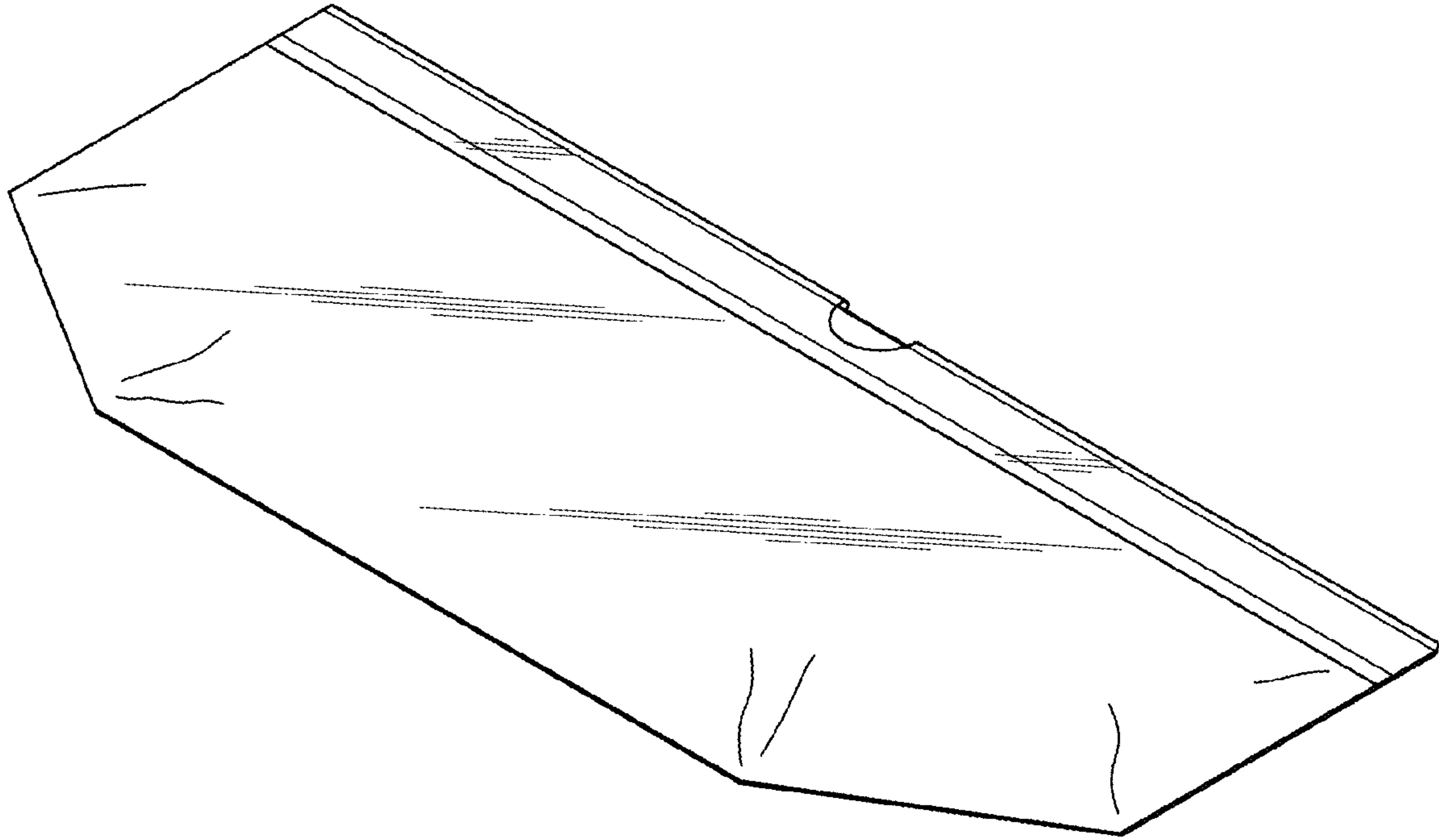


FIG. 7

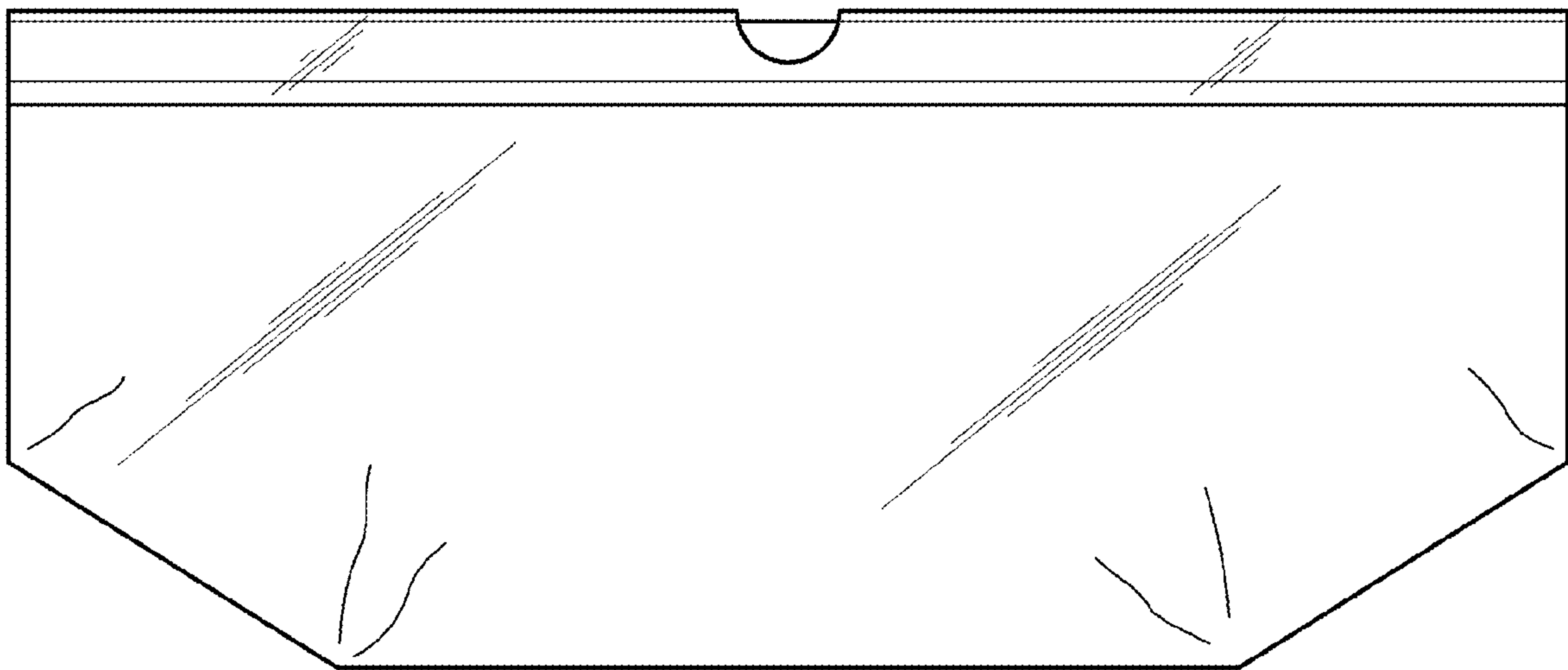


FIG. 8

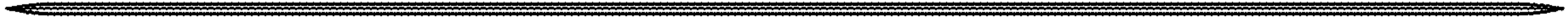


FIG. 9

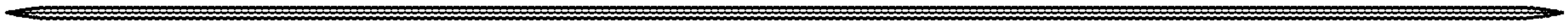


FIG. 10

