



US00D953170S

(12) **United States Design Patent**  
**Marotti et al.**

(10) **Patent No.:** **US D953,170 S**

(45) **Date of Patent:** **\*\* May 31, 2022**

(54) **TOOTHPASTE TUBE**

(71) Applicant: **The Procter & Gamble Company,**  
Cincinnati, OH (US)

(72) Inventors: **Martin Jay Marotti,** Carmel, IN (US);  
**Jennifer Kay Seiser,** Cincinnati, OH  
(US); **Eric Donald Weller,** Liberty  
Township, OH (US)

(73) Assignee: **The Procter & Gamble Company,**  
Cincinnati, OH (US)

(\*\*) Term: **15 Years**

(21) Appl. No.: **29/803,013**

(22) Filed: **Aug. 10, 2021**

**Related U.S. Application Data**

(62) Division of application No. 29/717,328, filed on Dec.  
17, 2019, now Pat. No. Des. 933,490.

(51) **LOC (13) Cl.** ..... **09-05**

(52) **U.S. Cl.**  
USPC ..... **D9/697**

(58) **Field of Classification Search**  
USPC ..... D9/702-714, 695-699, 435, 440, 521,  
D9/454, 544, 723-724, 499, 449,  
(Continued)

(56) **References Cited**

**U.S. PATENT DOCUMENTS**

D488,059 S 4/2004 Mounier  
D727,314 S 4/2015 Fukuoka  
(Continued)

**OTHER PUBLICATIONS**

AliExpress V-Idea Packing—retrieved from the internet on May 17,  
2021 at <https://www.aliexpress.com/item/32578041584.html?spm=a2g0s.9042311.0.0.1f864c4d9LR0HP> ;pp. 1 to 4.

(Continued)

*Primary Examiner* — Abraham Bahta

(74) *Attorney, Agent, or Firm* — Parker D. McCrary

(57) **CLAIM**

The ornamental design for a a toothpaste tube, shown and described.

**DESCRIPTION**

The file of this patent contains at least one drawing/photo-  
graph executed in color. Copies of this patent with color  
drawing(s)/photograph(s) will be provided by the Office  
upon request and payment of the necessary fee.

FIG. 1 is a perspective elevation view of a toothpaste tube;

FIG. 2 is a front view thereof;

FIG. 3 is a right side view thereof;

FIG. 4 is a back view thereof;

FIG. 5 is a left side view thereof;

FIG. 6 is a top view thereof; and

FIG. 7 is a bottom view thereof.

FIG. 8 is a perspective elevation view of a toothpaste tube;

FIG. 9 is a front view thereof;

FIG. 10 is a right side view thereof;

FIG. 11 is a back view thereof;

FIG. 12 is a left side view thereof;

FIG. 13 is a top view thereof; and

FIG. 14 is a bottom view thereof.

FIG. 15 is a perspective elevation view of a toothpaste tube;

FIG. 16 is a front view thereof;

FIG. 17 is a right side view thereof;

FIG. 18 is a back view thereof;

FIG. 19 is a left side view thereof;

FIG. 20 is a top view thereof; and

FIG. 21 is a bottom view thereof.

FIG. 22 is a perspective elevation view of a toothpaste tube;

FIG. 23 is a front view thereof;

FIG. 24 is a right side view thereof;

FIG. 25 is a back view thereof;

FIG. 26 is a left side view thereof;

FIG. 27 is a top view thereof; and

FIG. 28 is a bottom view thereof.

FIG. 29 is a perspective elevation view of a toothpaste tube;

FIG. 30 is a front view thereof;

FIG. 31 is a right side view thereof;

(Continued)

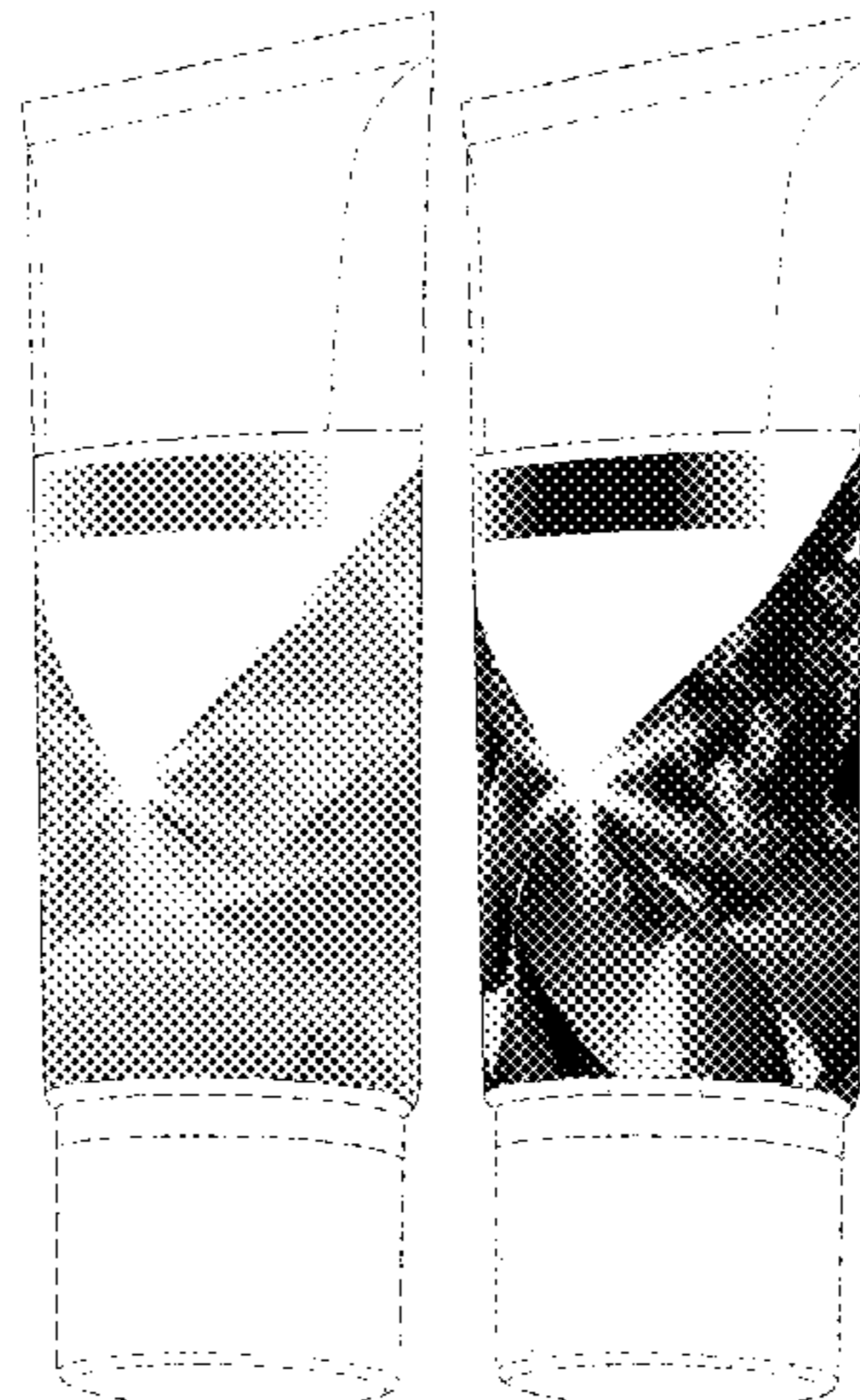


FIG. 32 is a back view thereof;  
 FIG. 33 is a left side view thereof;  
 FIG. 34 is a top view thereof; and  
 FIG. 35 is a bottom view thereof.  
 FIG. 36 is a perspective elevation view of a toothpaste tube;  
 FIG. 37 is a front view thereof;  
 FIG. 38 is a right side view thereof;  
 FIG. 39 is a back view thereof;  
 FIG. 40 is a left side view thereof;  
 FIG. 41 is a top view thereof; and,  
 FIG. 42 is a bottom view thereof.  
 Broken lines are used in the drawings to designate environmental structures or parts of a toothpaste tube that form no part of the claim.

**1 Claim, 12 Drawing Sheets  
 (8 of 12 Drawing Sheet(s) Filed in Color)**

(58) **Field of Classification Search**

USPC ..... D9/727-728, 442, 447, 504; 222/92, 96,  
 222/107, 527-529, 215, 491, 206,  
 222/212-213, 251, 95, 536; 206/438,  
 206/822; 220/DIG. 7, 669; 215/321,  
 215/381, 382, 316, 380; 141/114-115;  
 D28/91.1, 76-78, 82, 88; D4/114;  
 D24/114; D7/601-602; D3/202, 205  
 CPC ..... B65D 35/00; B65D 35/28; B65D 35/02;  
 B65D 35/04; B65D 35/08; B65D 35/36;  
 B65D 35/38; B65D 5/00; B65D 5/001;

B65D 5/0227; B65D 5/0254; B65D  
 5/0045; B65D 5/18; B65D 5/2033; B65D  
 5/38; B65D 1/32; B65D 1/00; B65D  
 1/22; B65D 1/24; B65D 1/34; B65D 1/38

See application file for complete search history.

(56)

**References Cited**

U.S. PATENT DOCUMENTS

D766,098 S	9/2016	Seo	
D856,815 S	8/2019	Rossi	
D885,196 S	5/2020	Matsuishi	
D891,935 S	8/2020	Lee et al.	
D895,433 S	9/2020	Shiota	
D895,434 S	9/2020	Matsuishi	
D933,490 S *	10/2021	Marotti .....	D9/697
D935,892 S *	11/2021	Zaharinov .....	D9/695

OTHER PUBLICATIONS

All Office Actions, U.S. Appl. No. 29/774,115.  
 All Office Actions; U.S. Appl. No. 29/717,328, filed Dec. 17, 2019.  
 All Office Actions; U.S. Appl. No. 29/803,010, filed Aug. 10, 2021.  
 All Office Actions; U.S. Appl. No. 29/803,012, filed Aug. 10, 2021.  
 U.S. Appl. No. 29/774,115, filed Mar. 15, 2021, Martin Jay Marotti et al.  
 U.S. Appl. No. 29/803,010, filed Aug. 10, 2021, Martin Jay Marotti et al.  
 U.S. Appl. No. 29/803,012, filed Aug. 10, 2021, Martin Jay Marotti et al.

\* cited by examiner

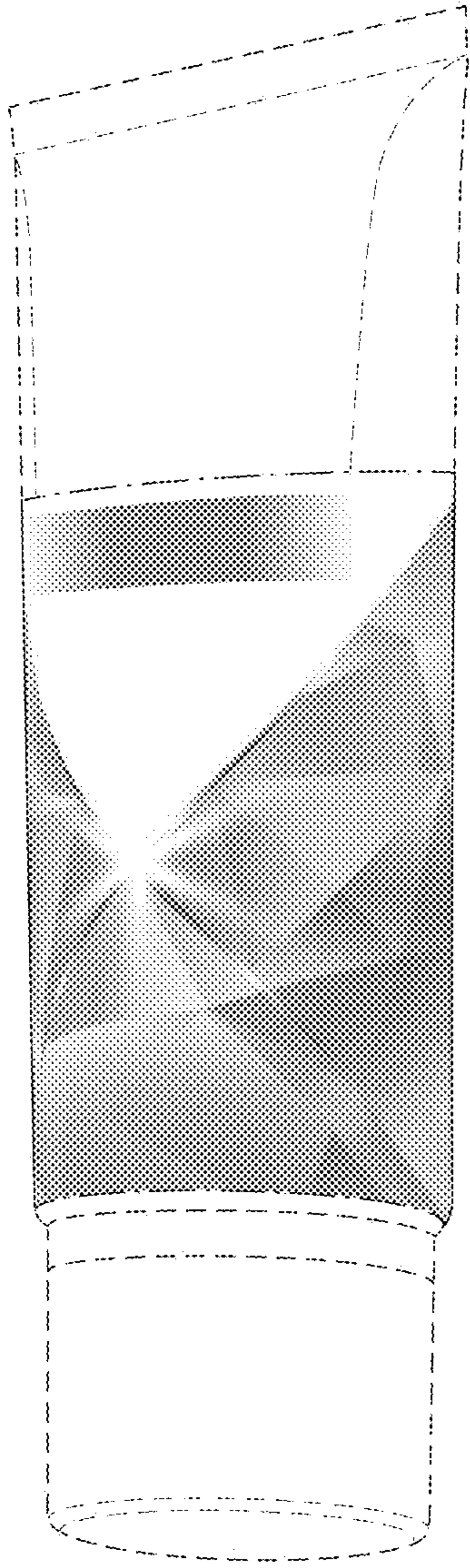


FIG. 1

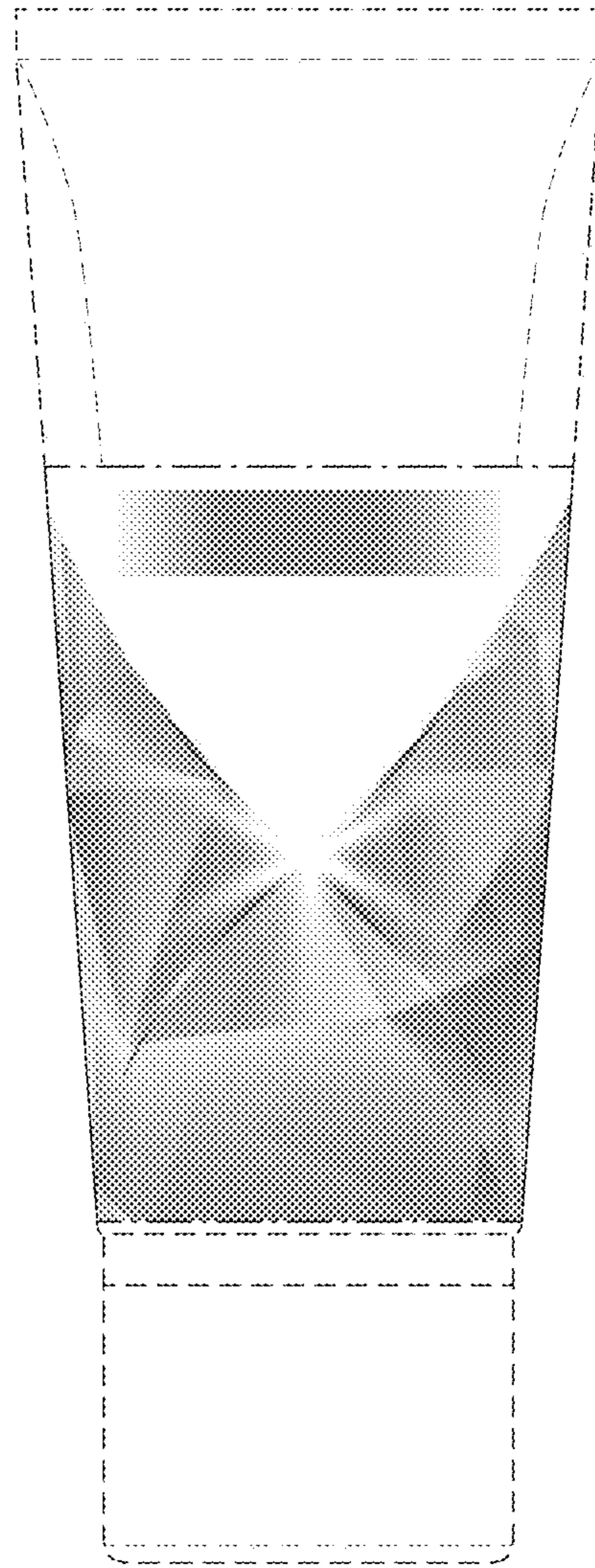


FIG. 2

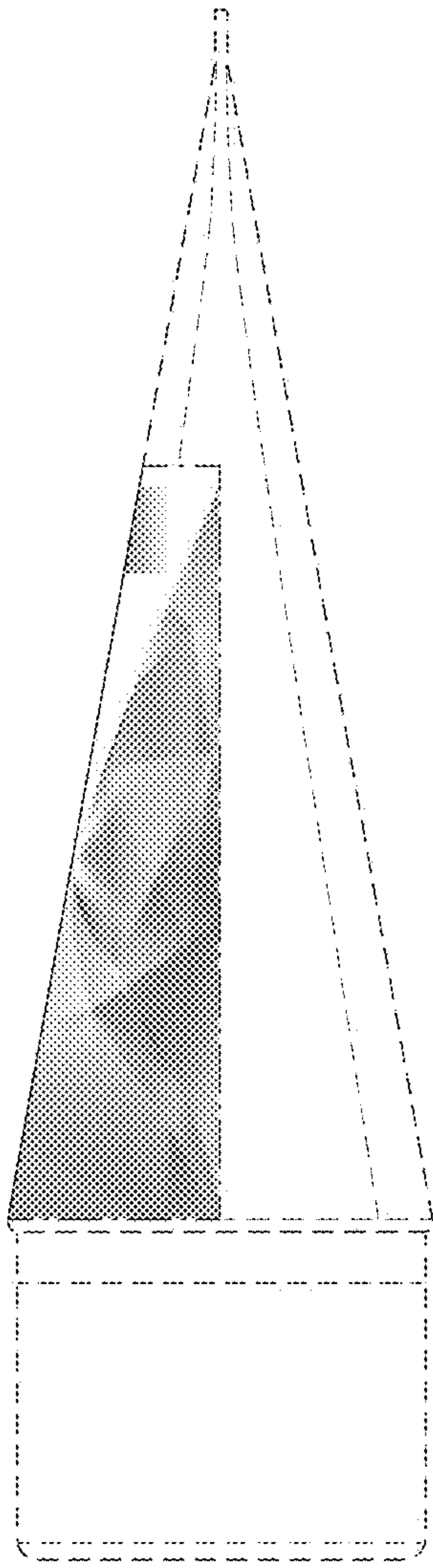


FIG. 3



FIG. 4

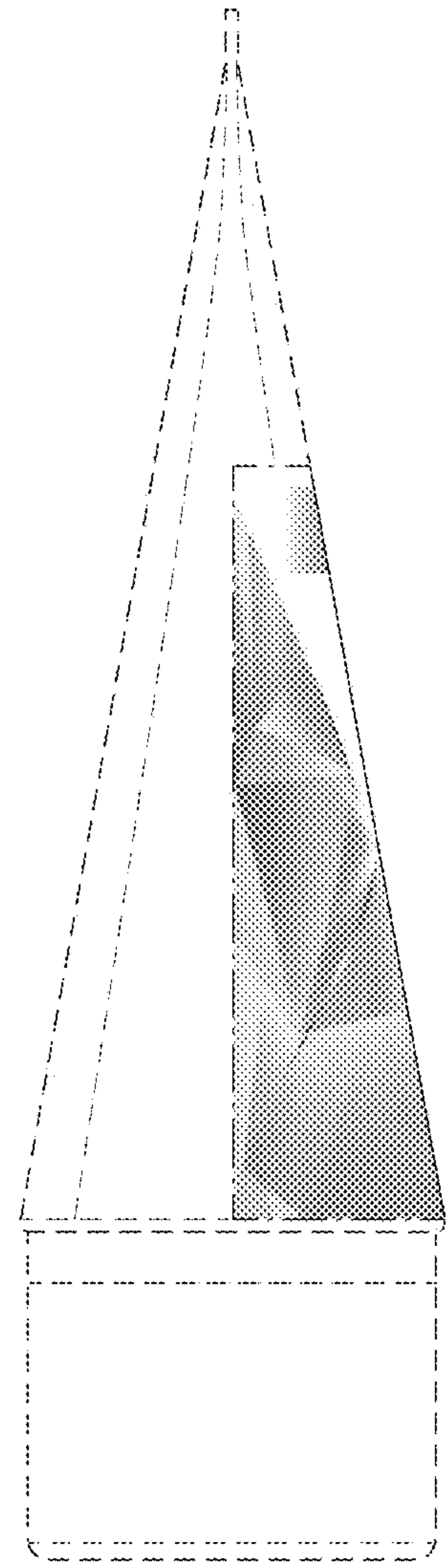


FIG. 5

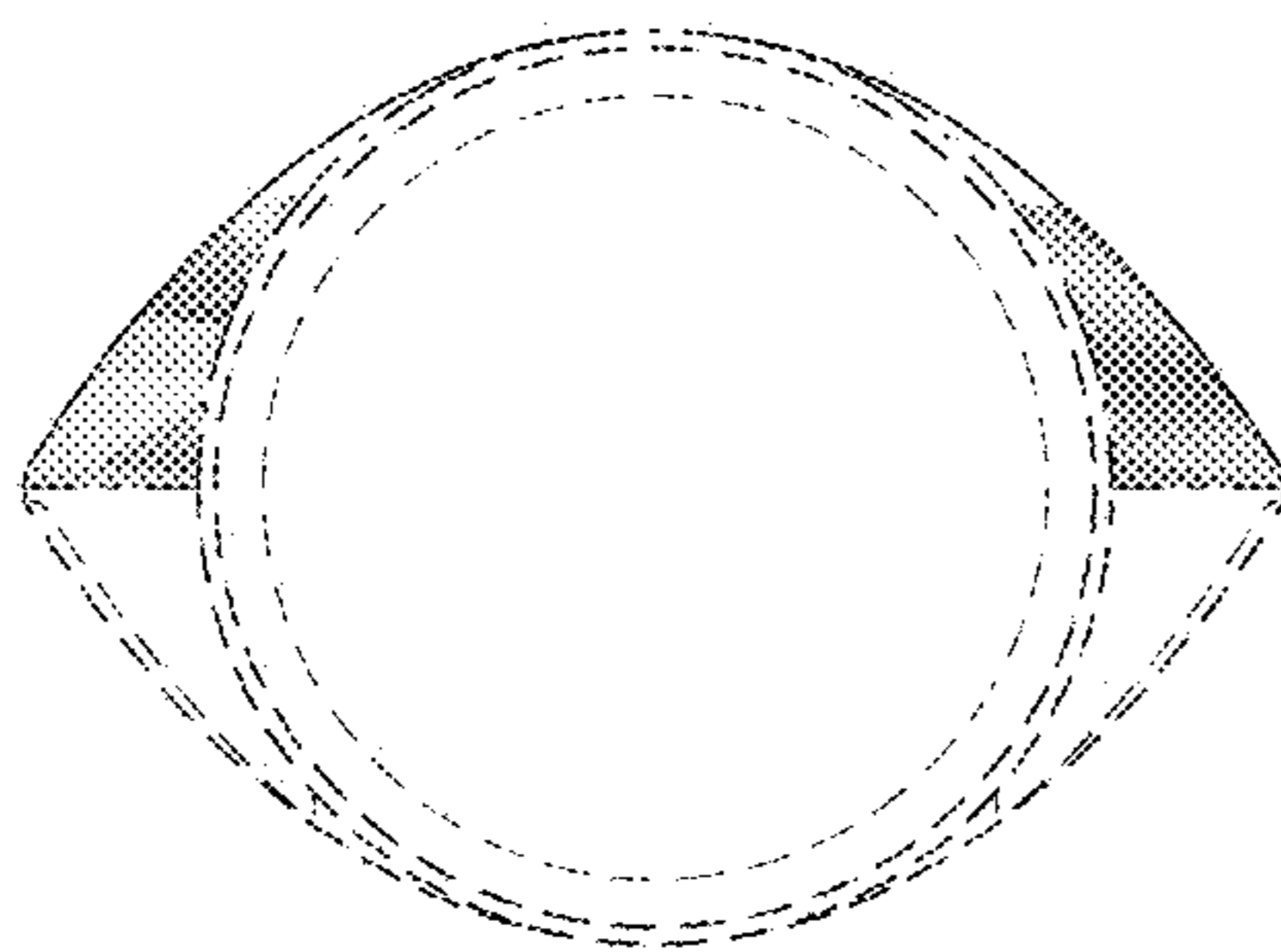


FIG. 6

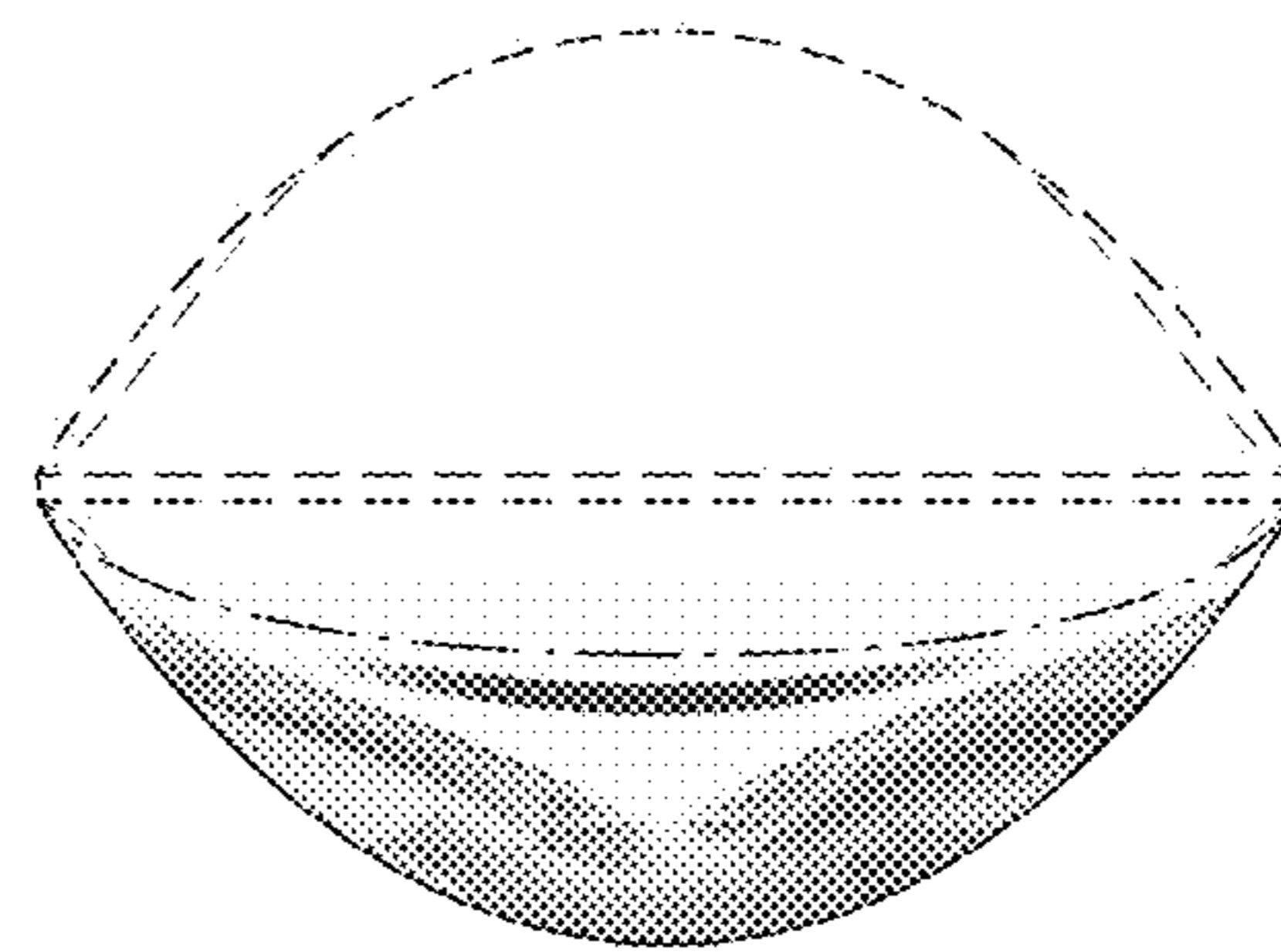


FIG. 7

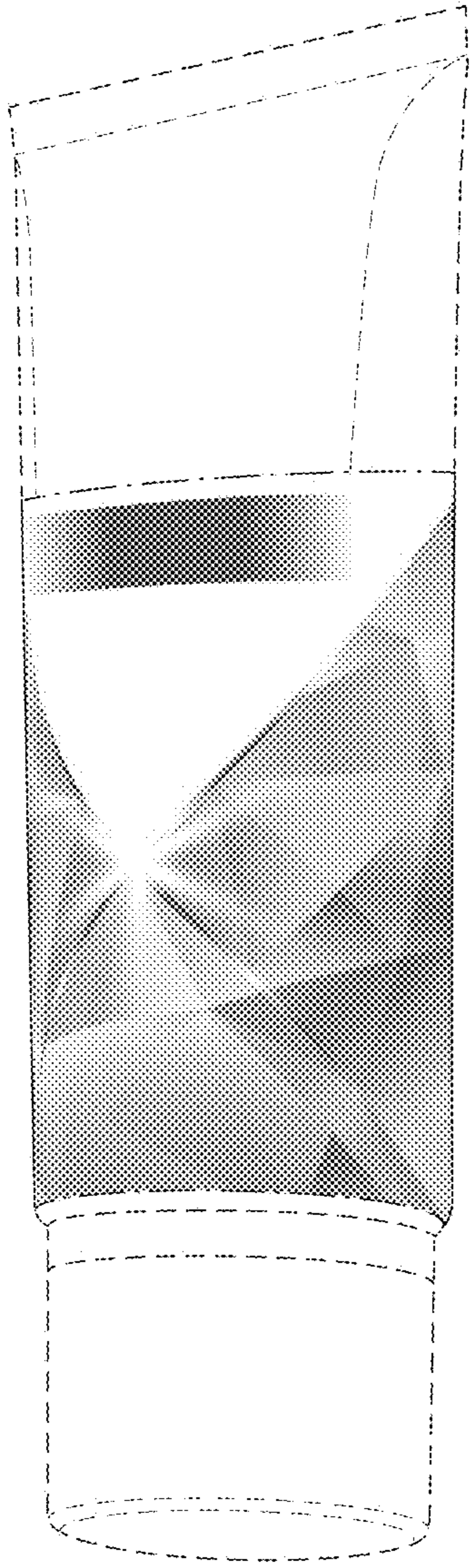


FIG. 8

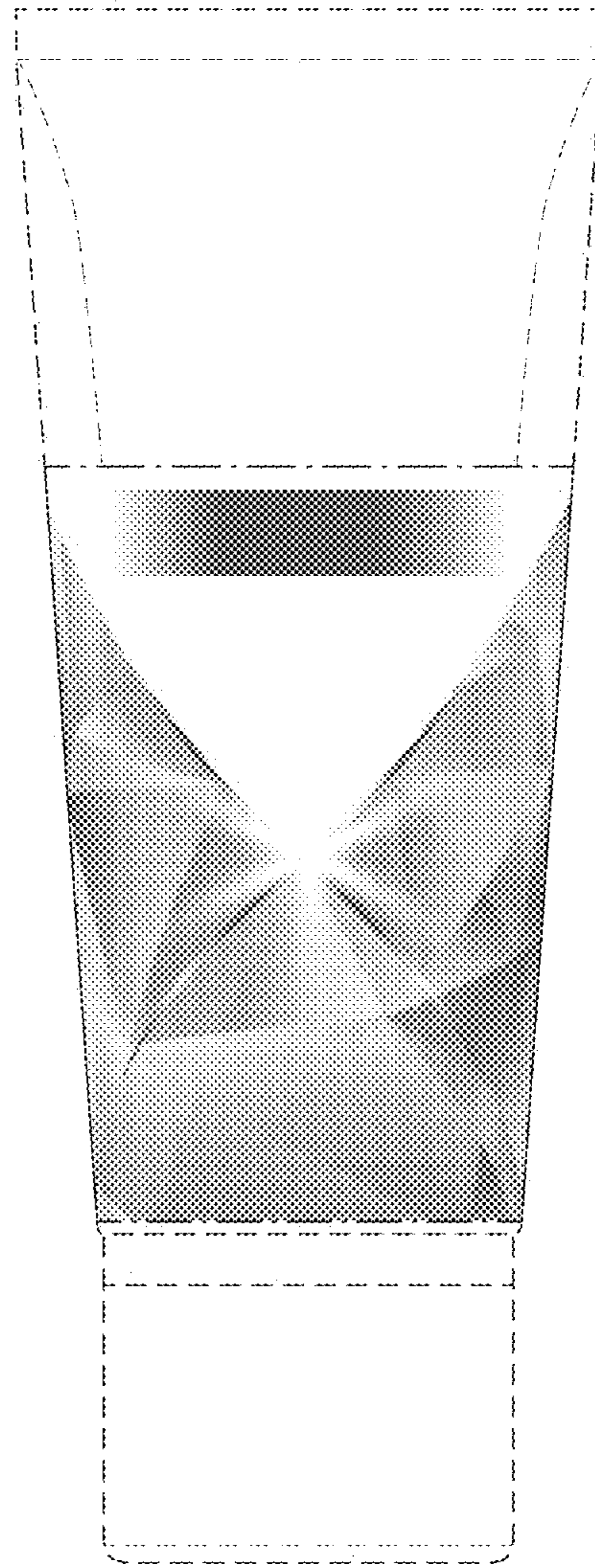


FIG. 9

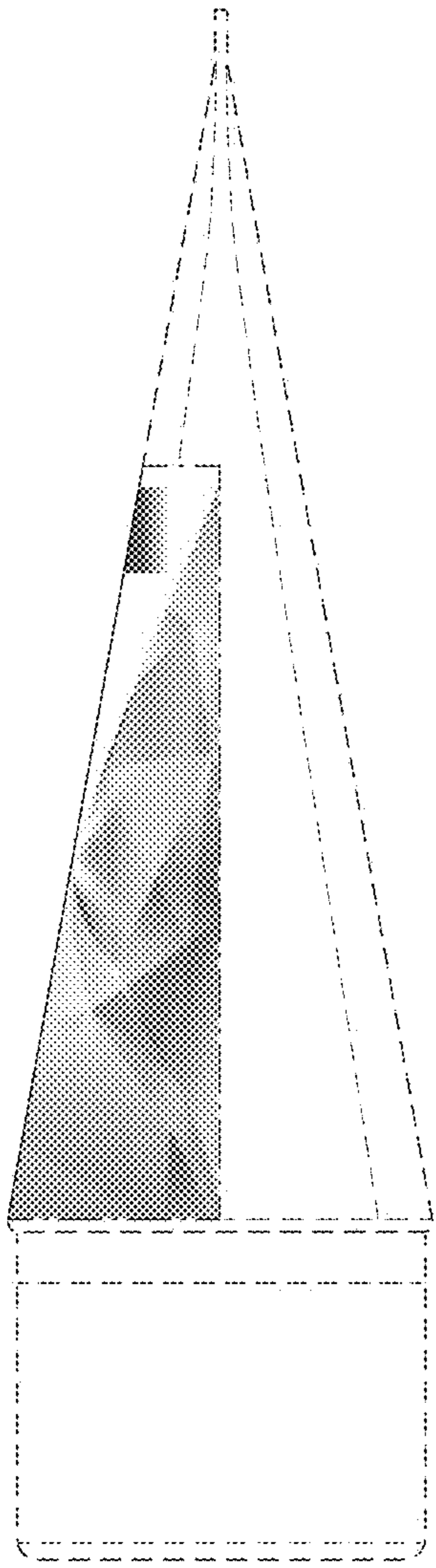


FIG. 10



FIG. 11

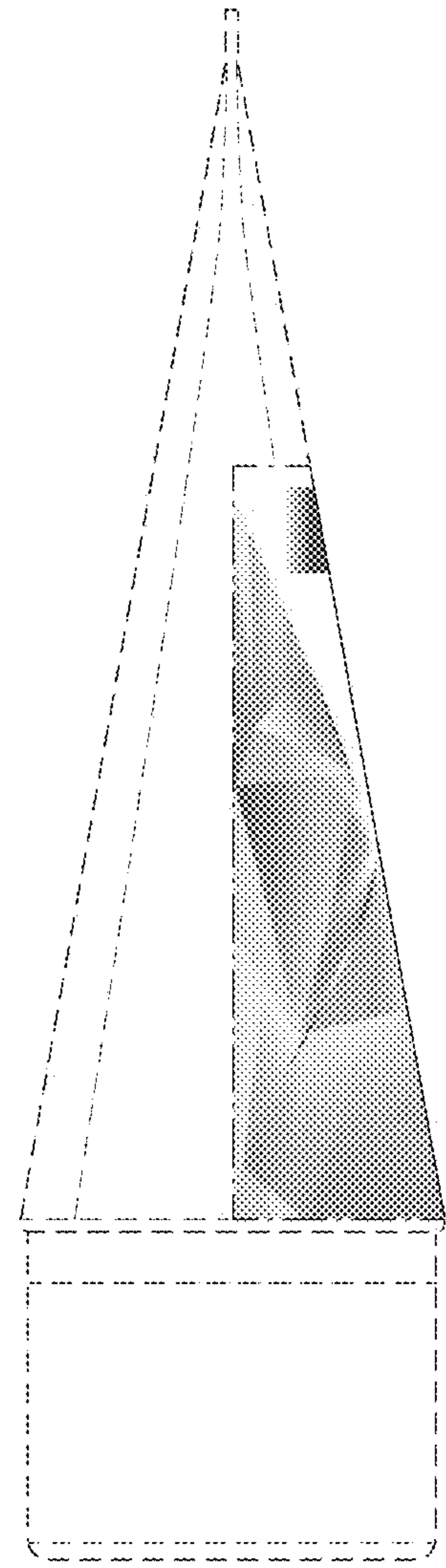


FIG. 12

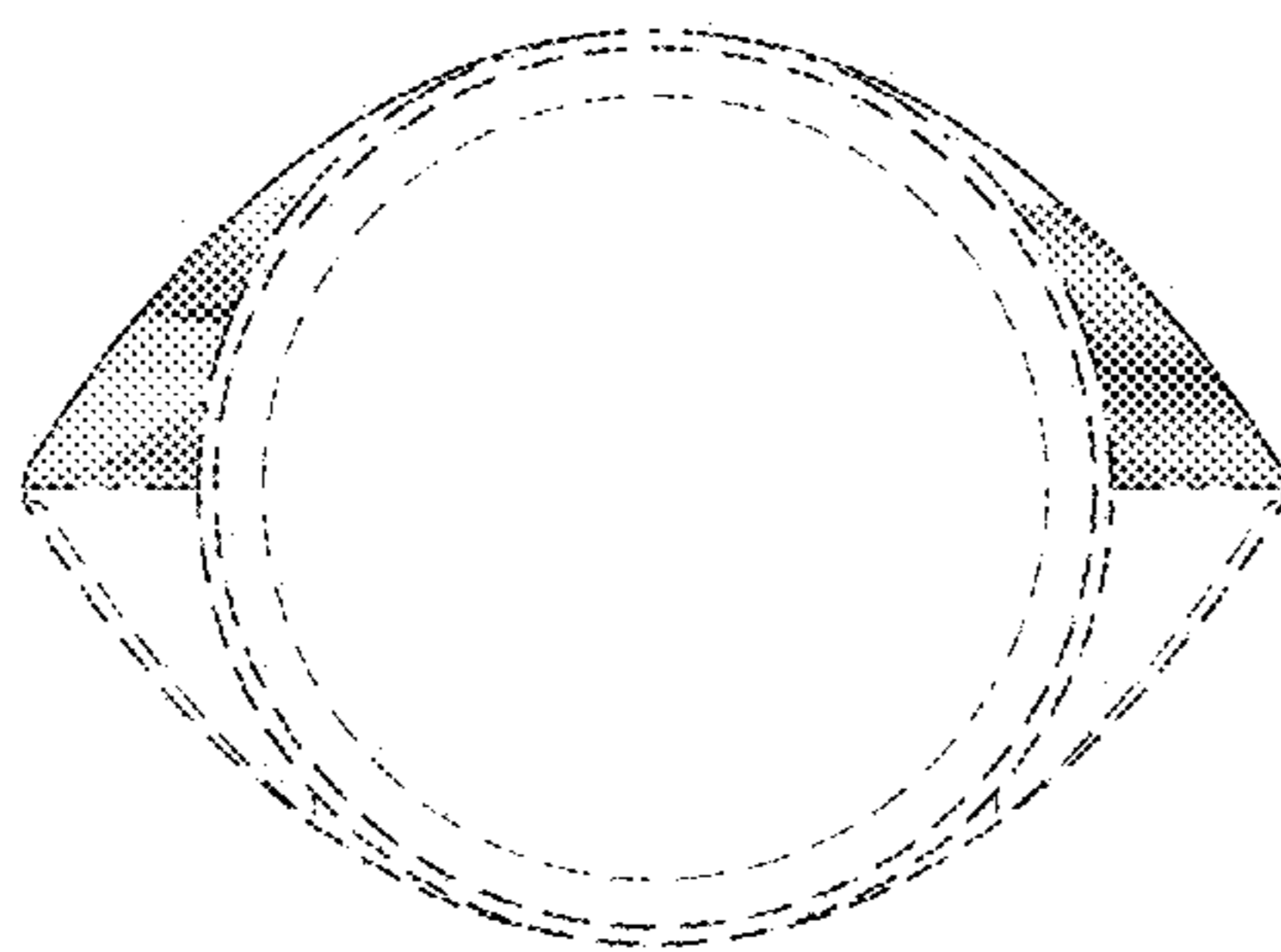


FIG. 13

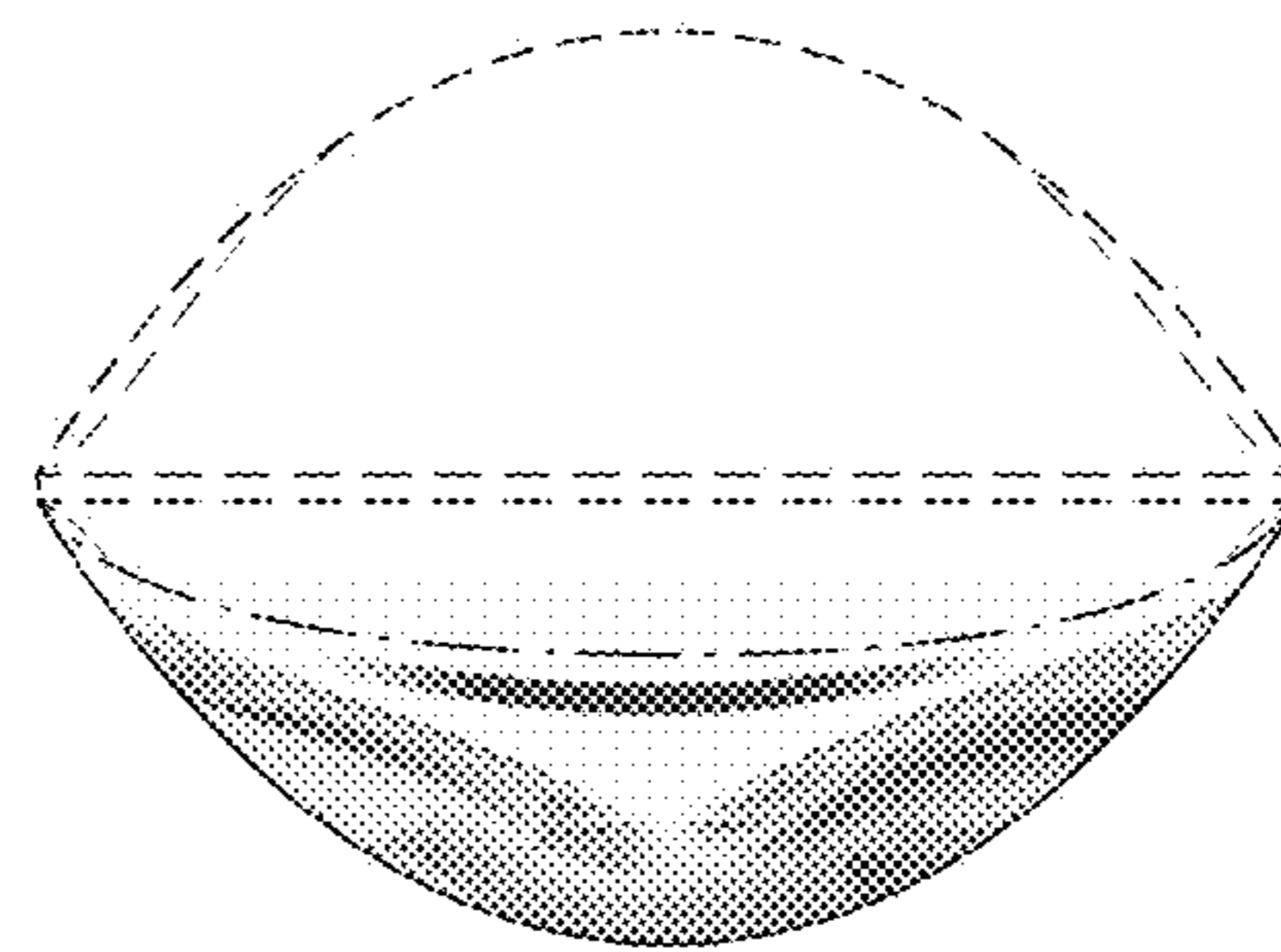


FIG. 14

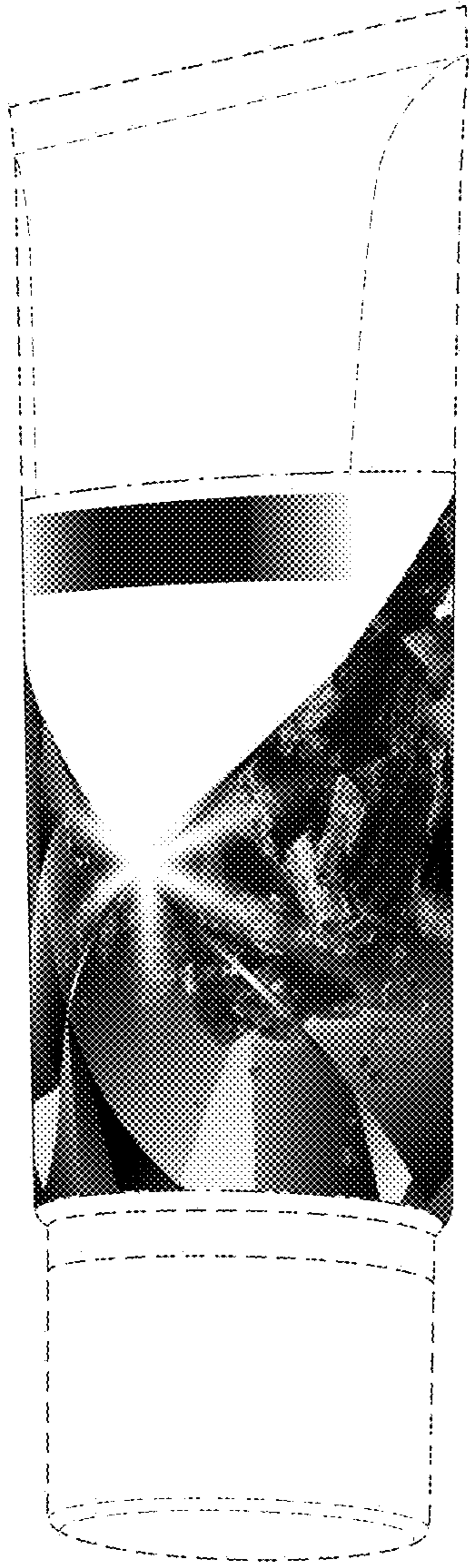


FIG. 15

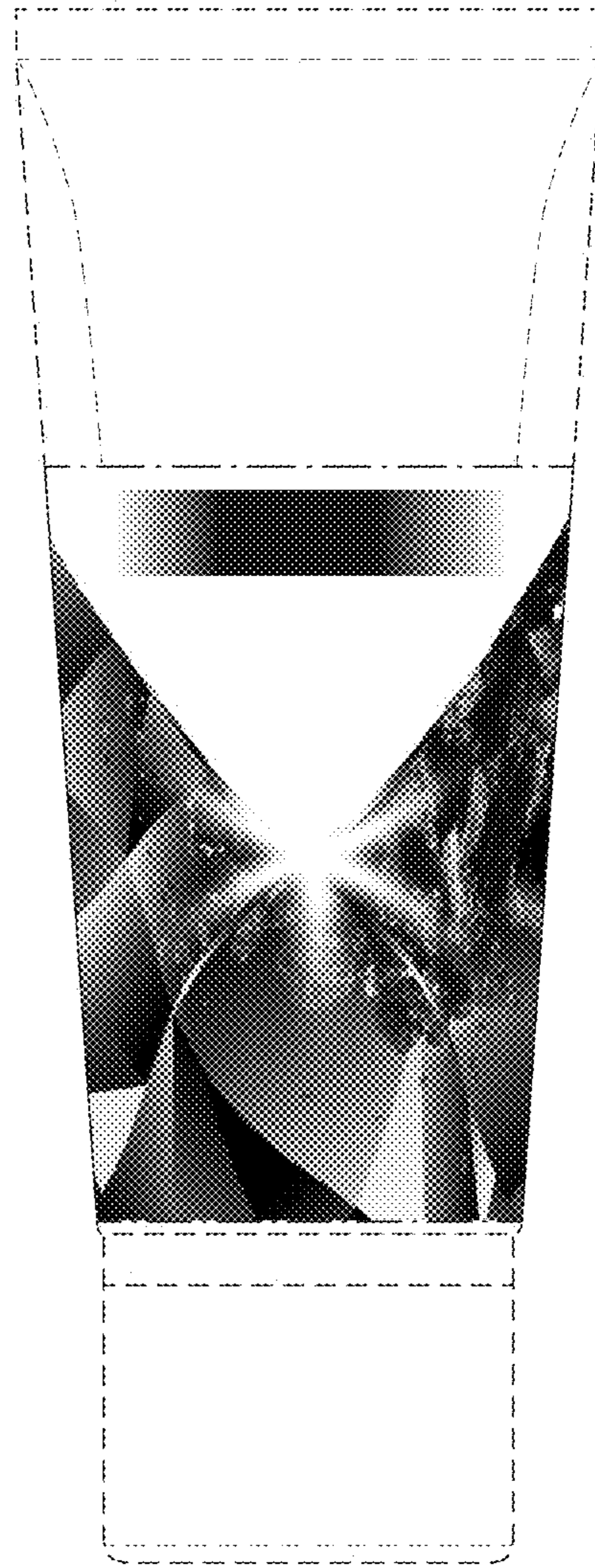


FIG. 16

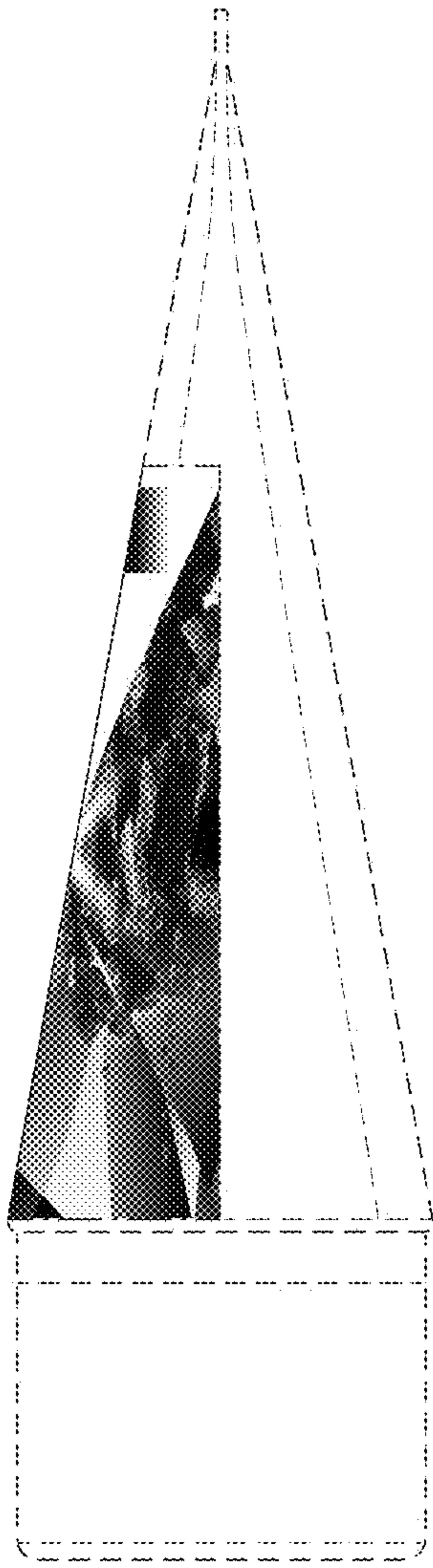


FIG. 17

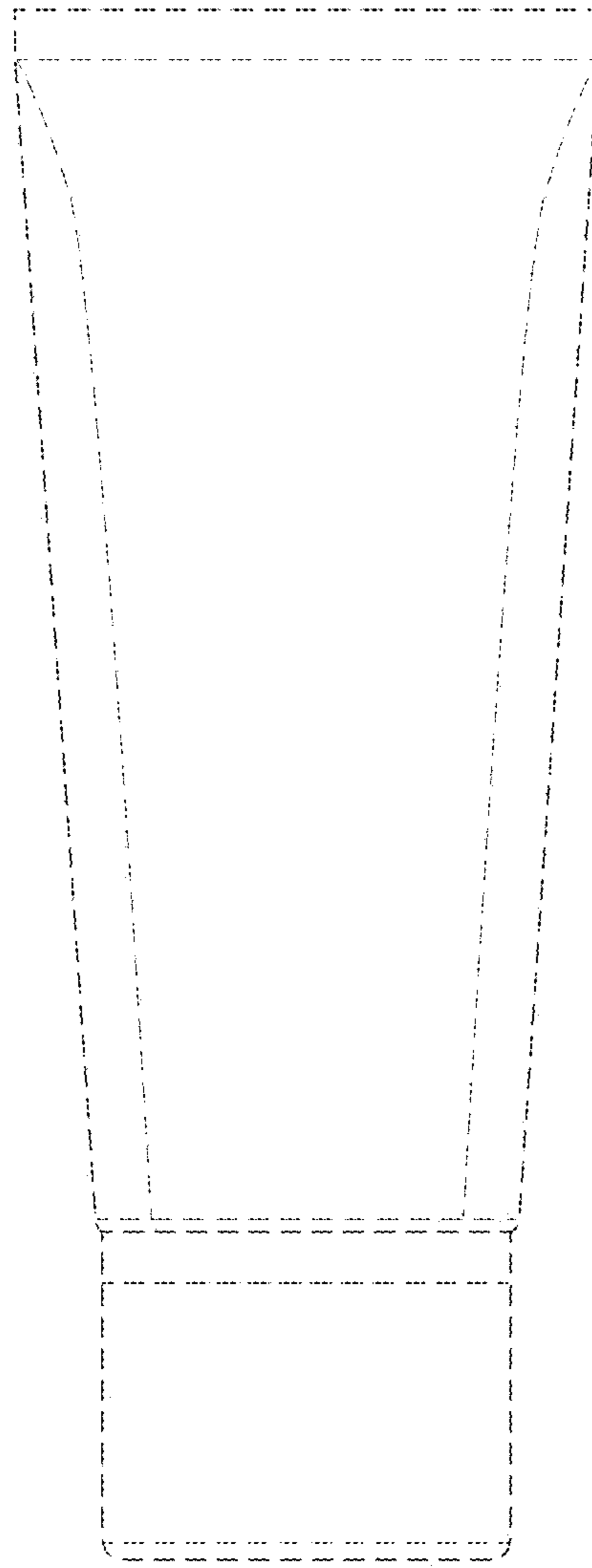


FIG. 18

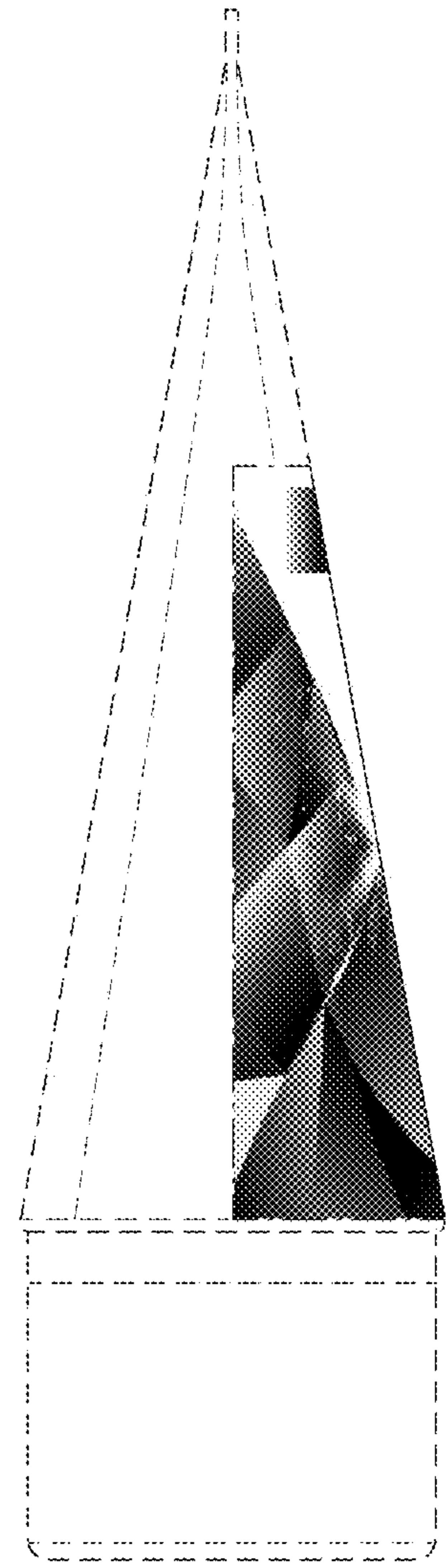


FIG. 19

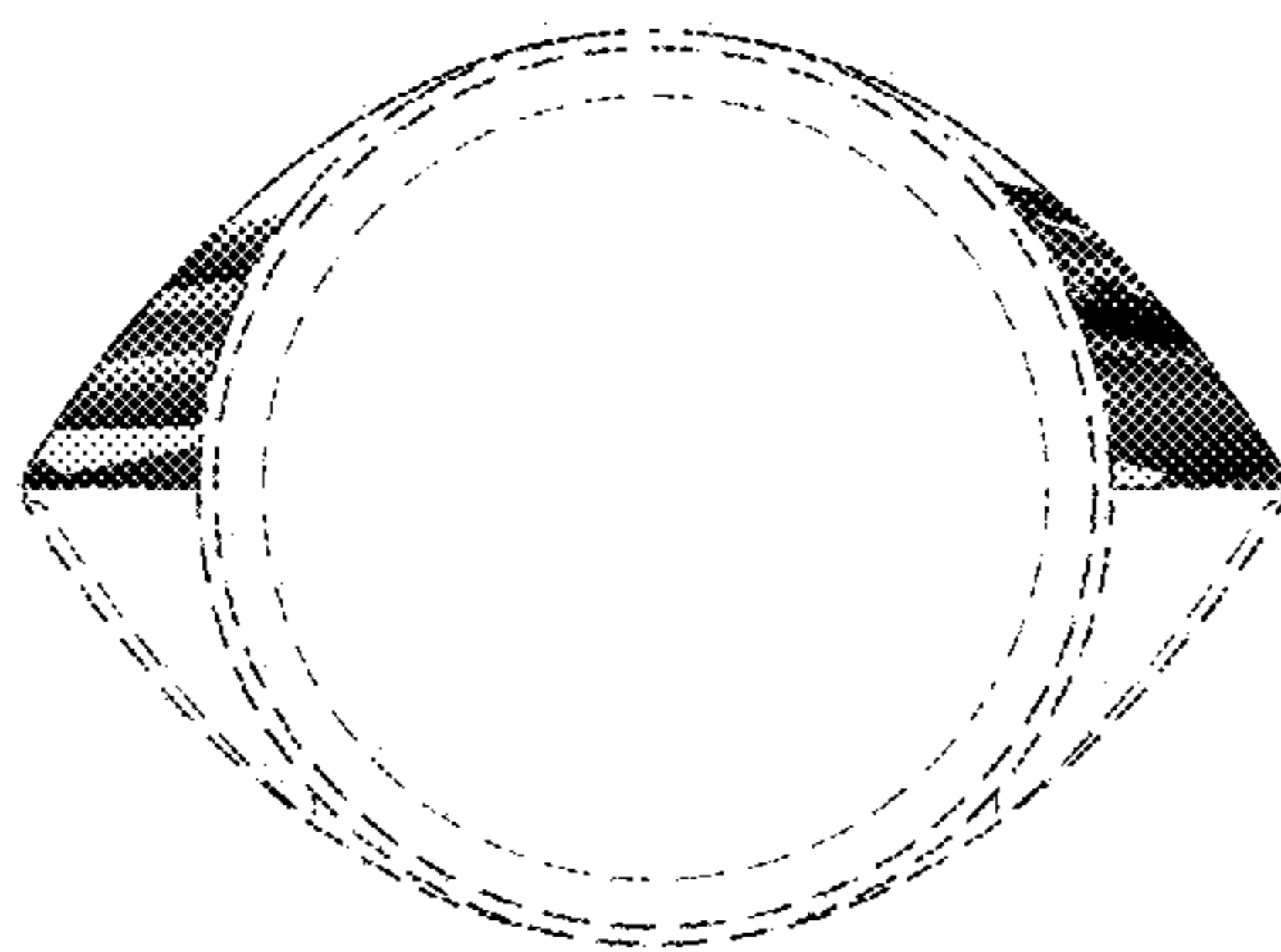


FIG. 20

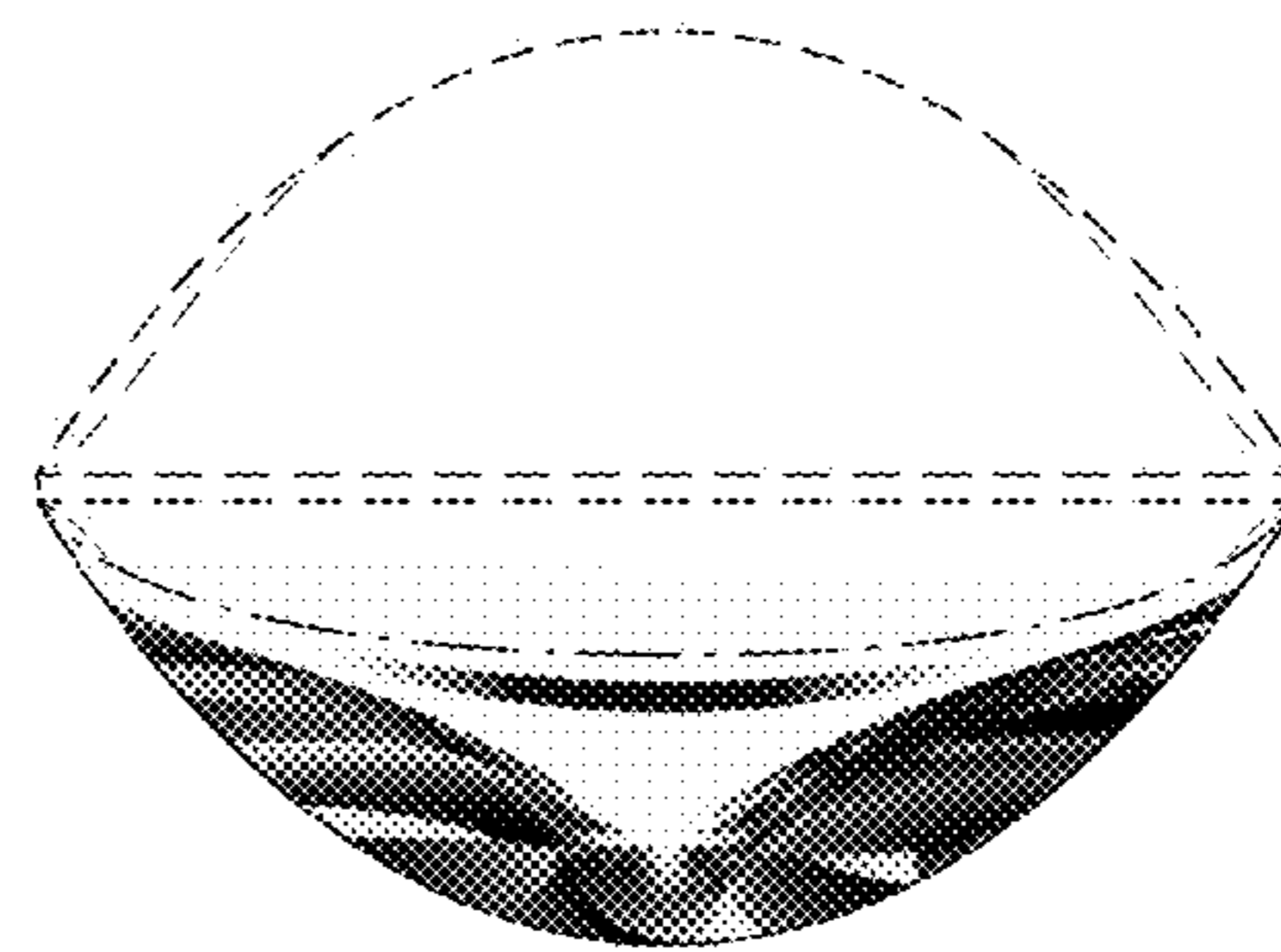


FIG. 21



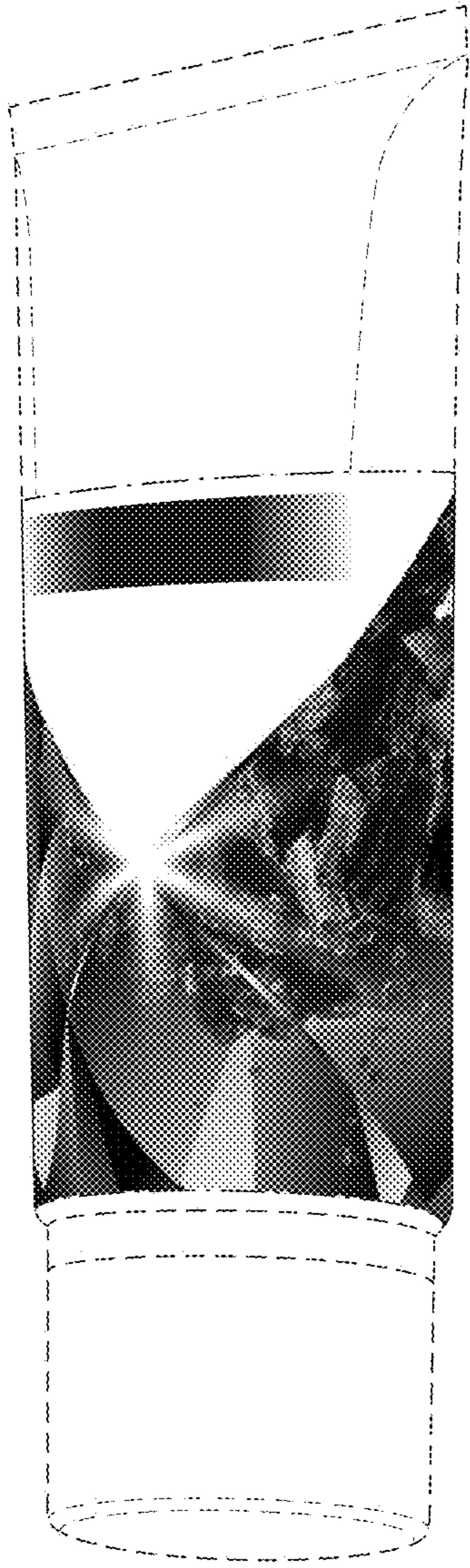


FIG. 22

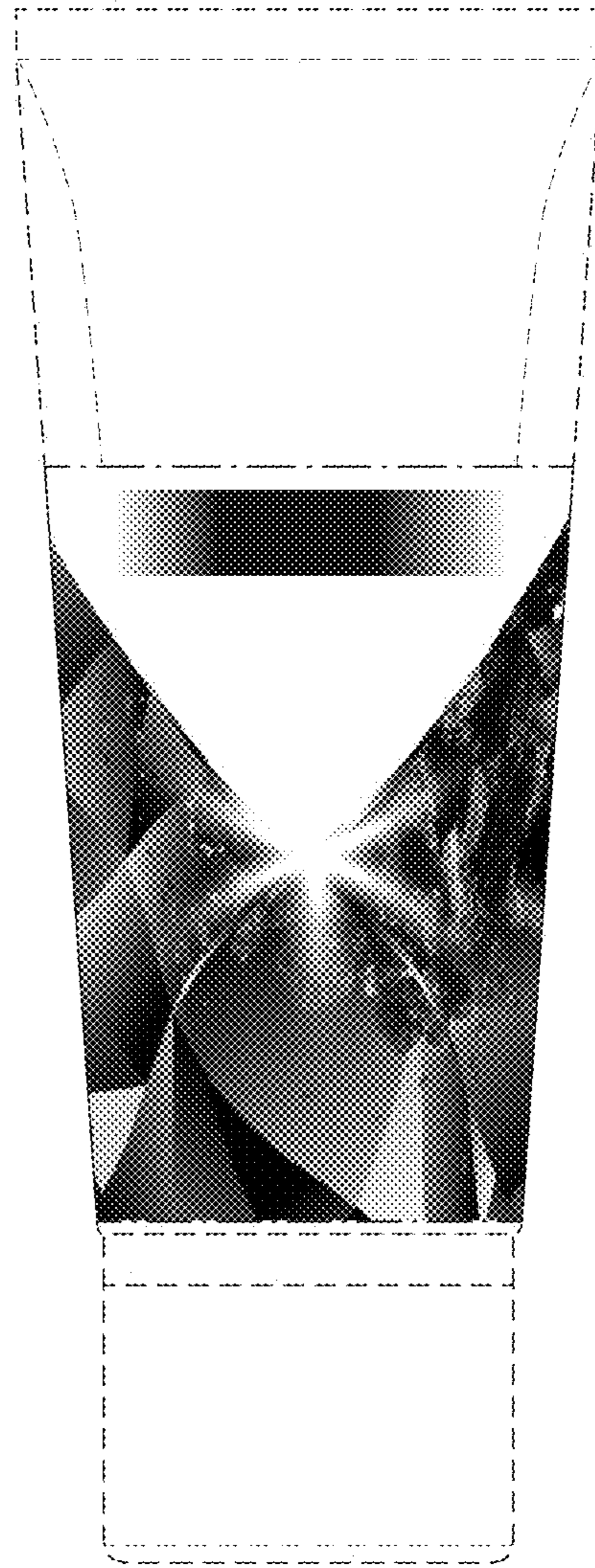


FIG. 23

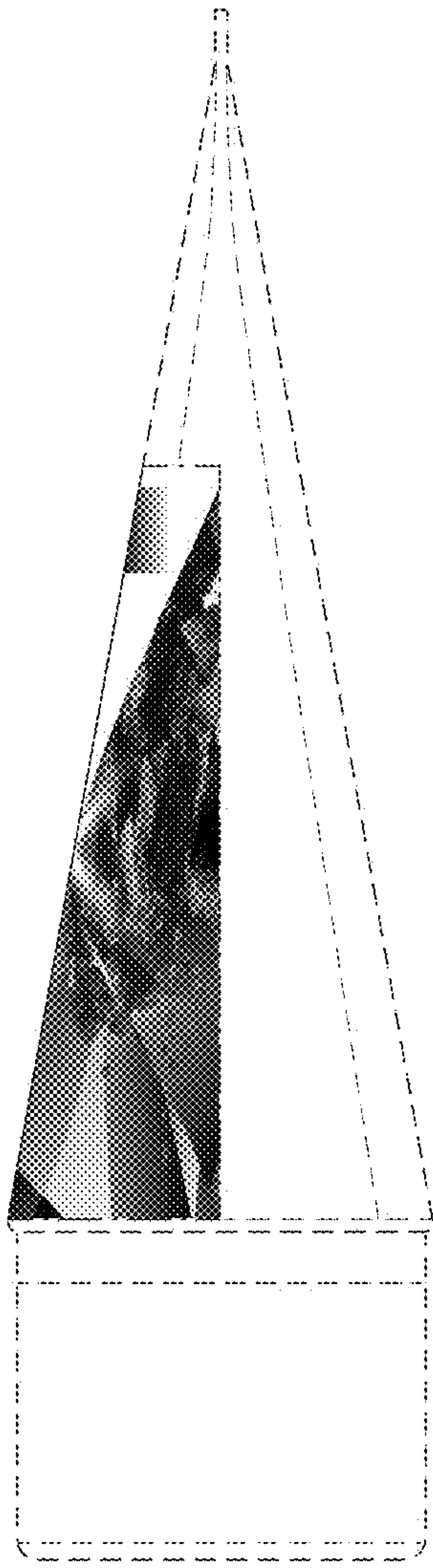


FIG. 24

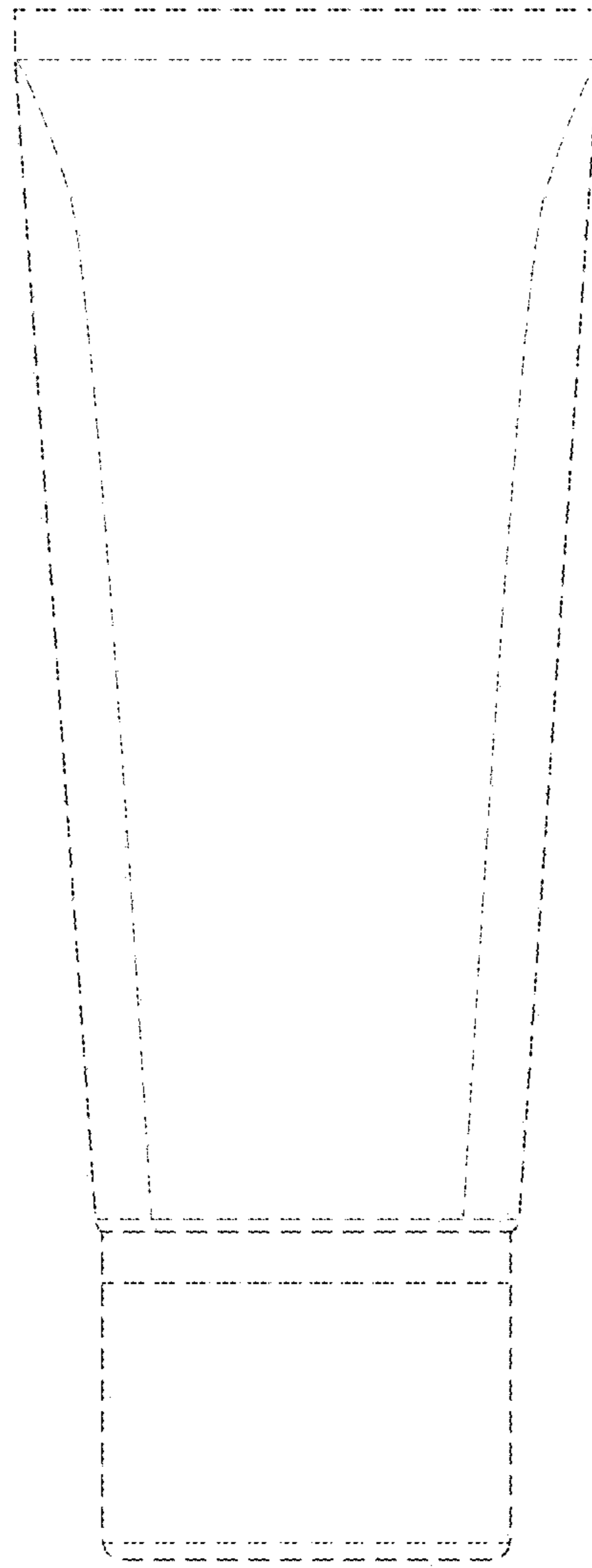


FIG. 25

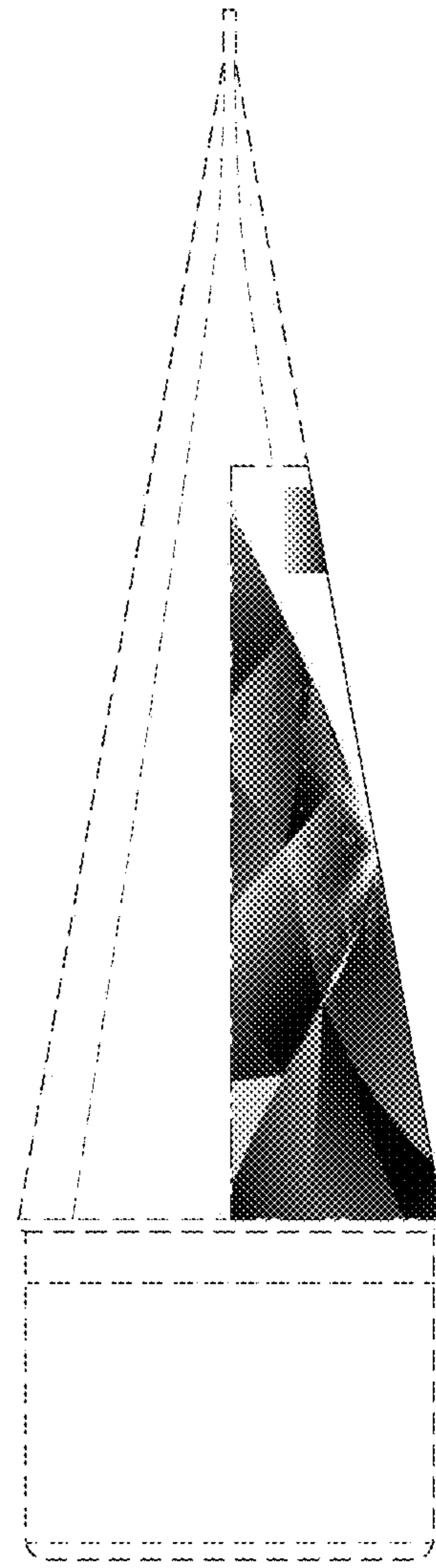


FIG. 26

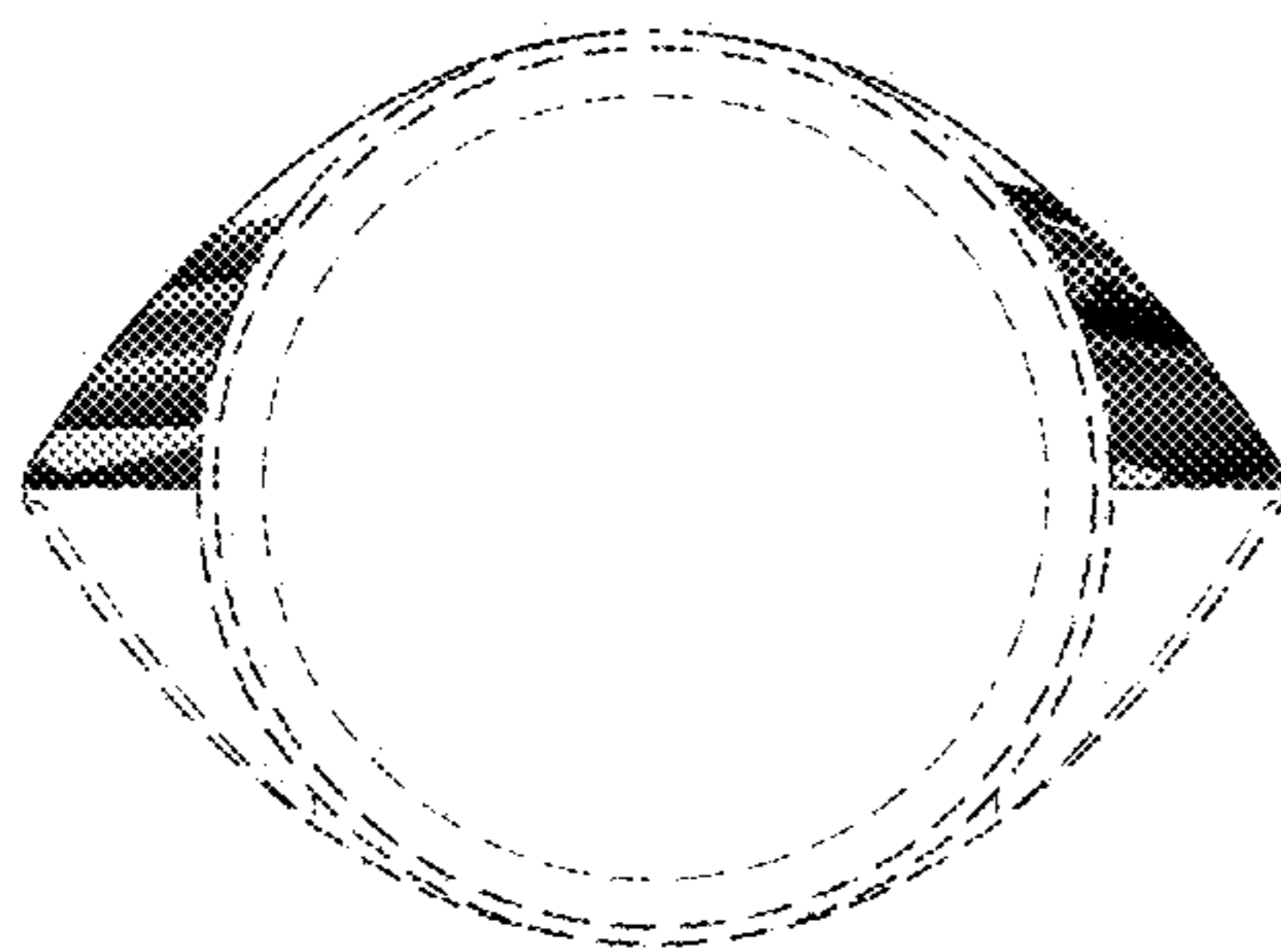


FIG. 27

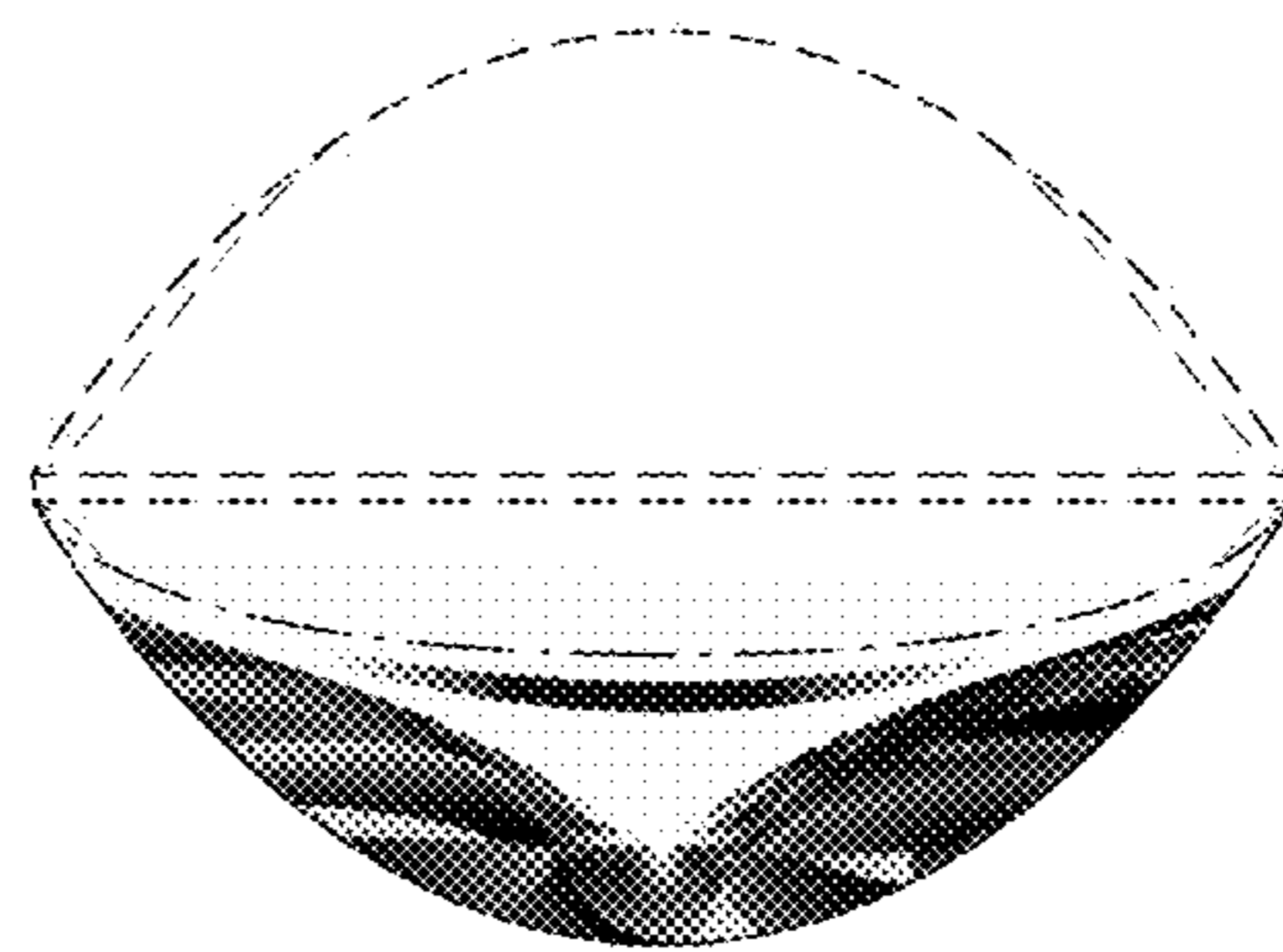


FIG. 28

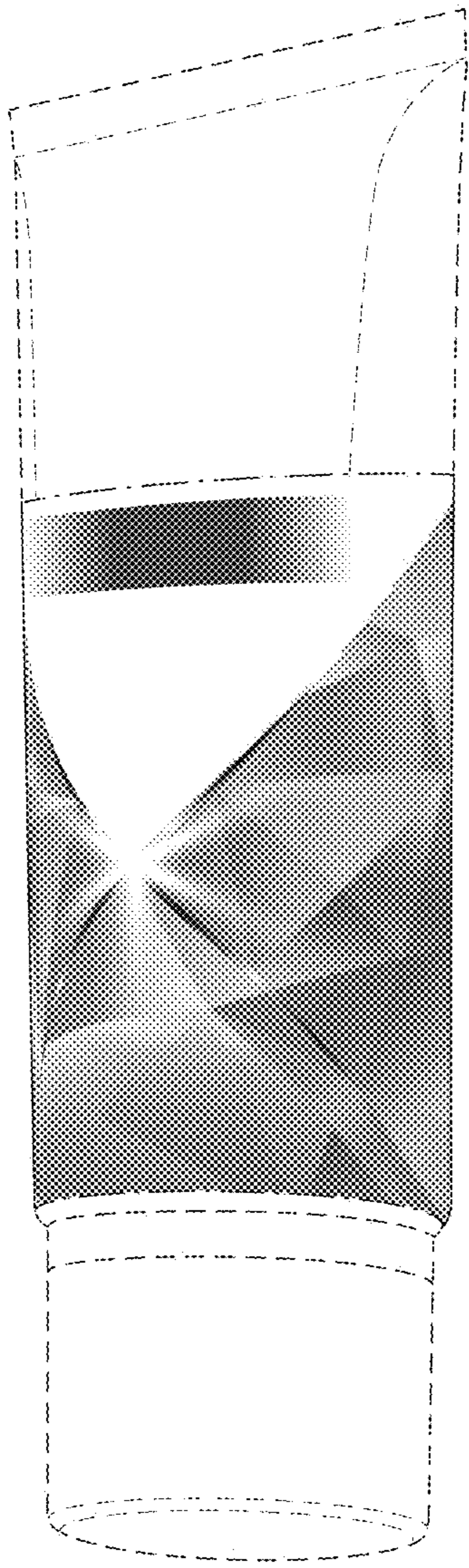


FIG. 29

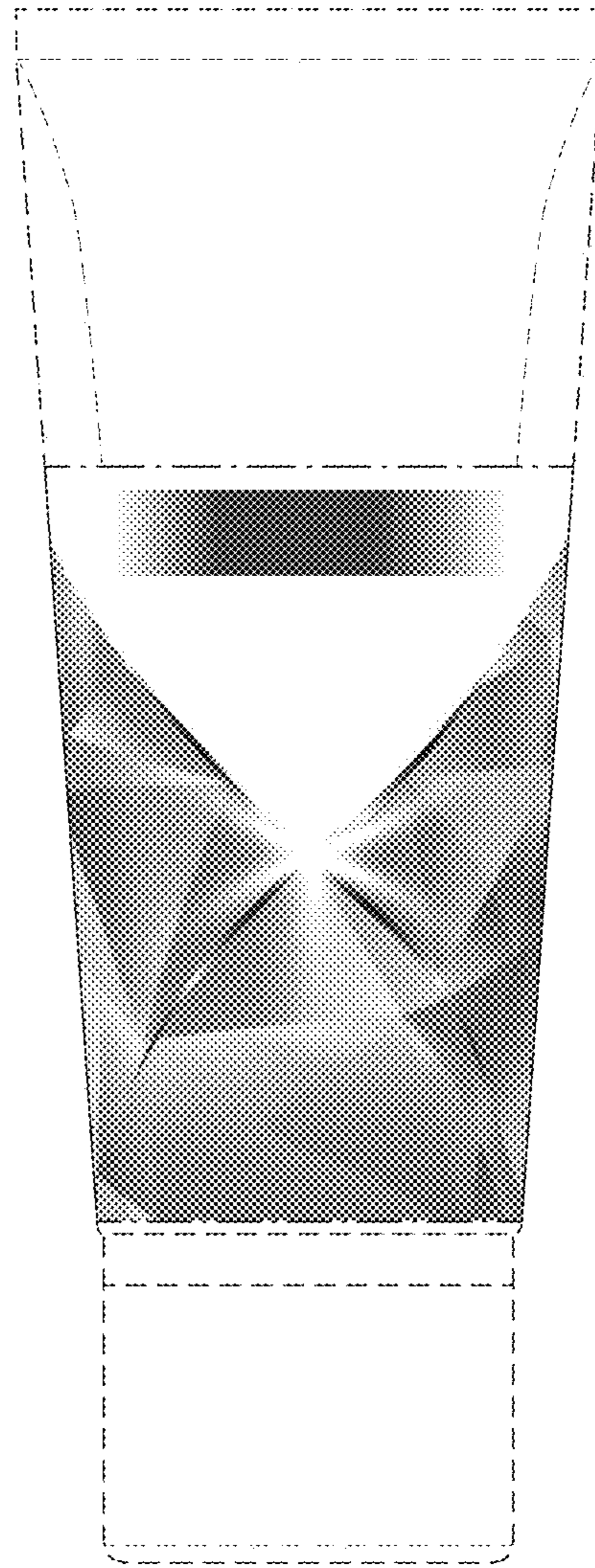


FIG. 30

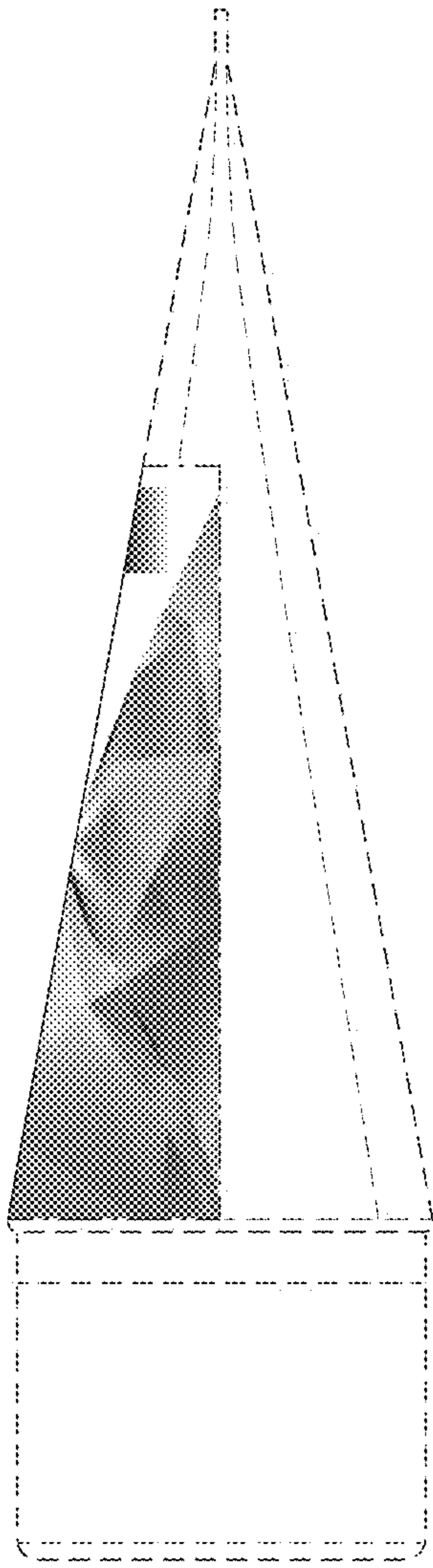


FIG. 31



FIG. 32

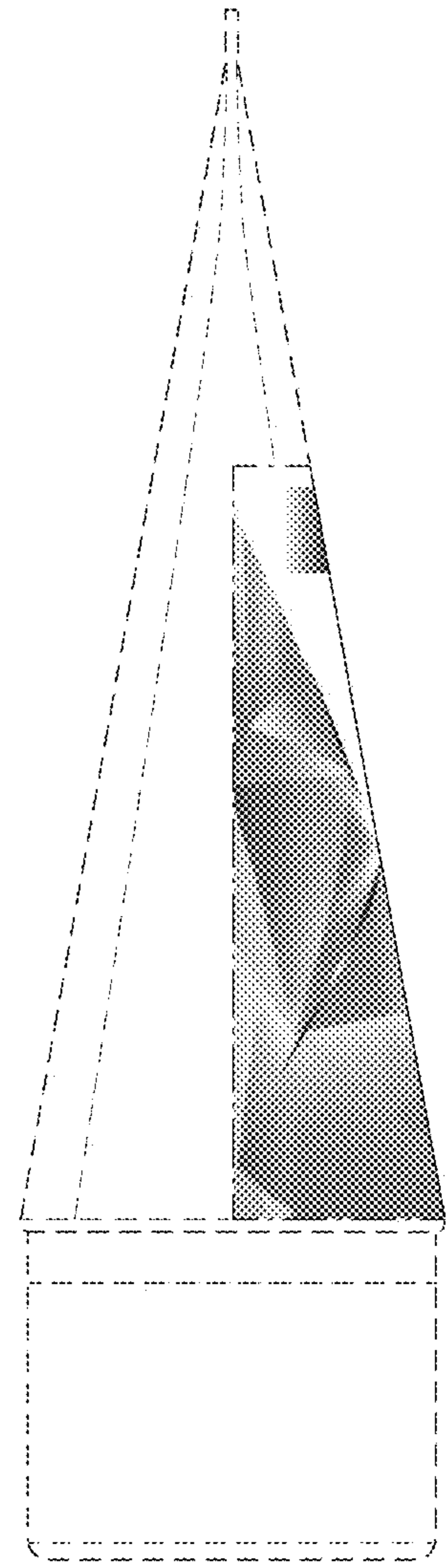


FIG. 33

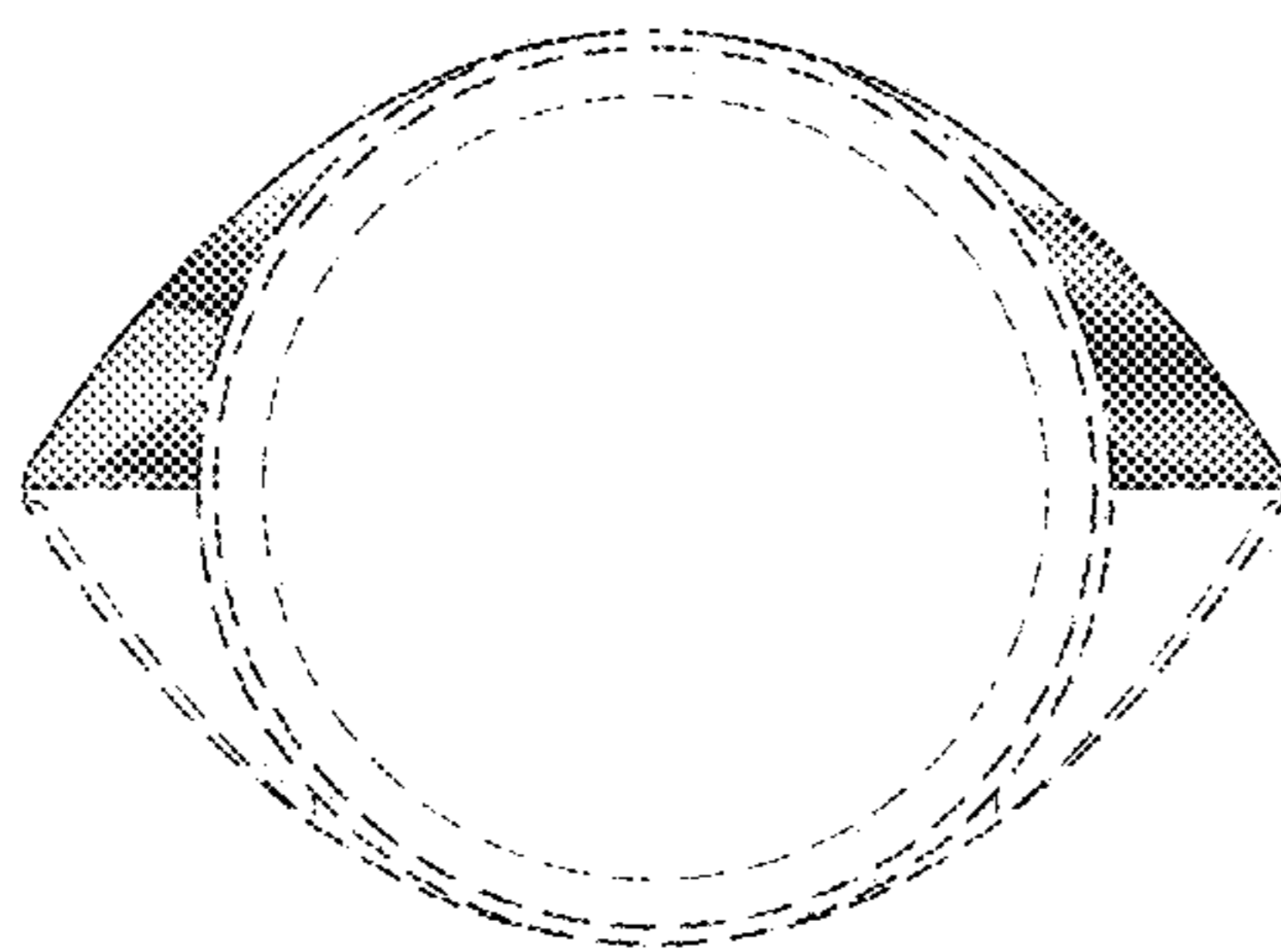


FIG. 34

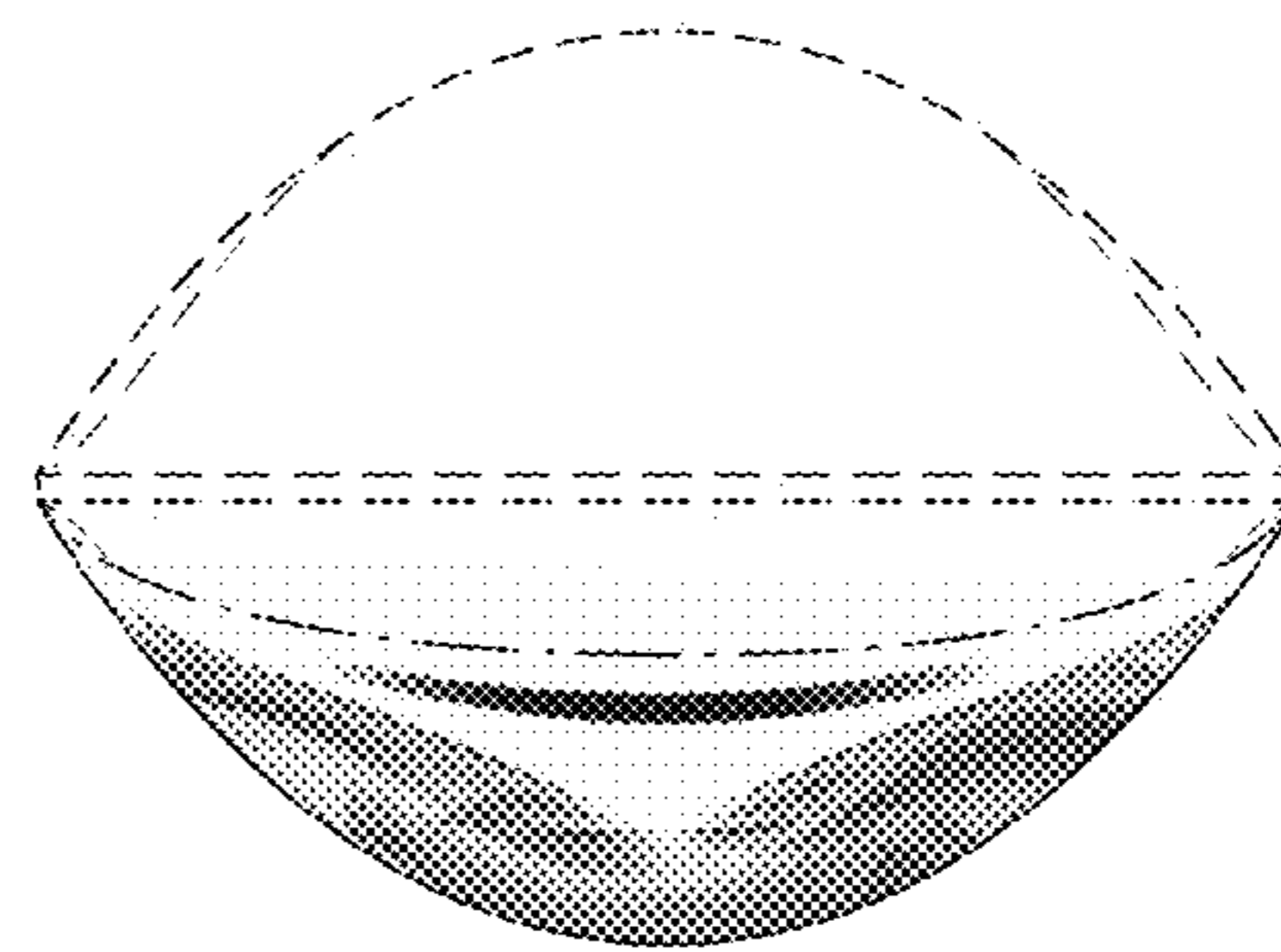


FIG. 35

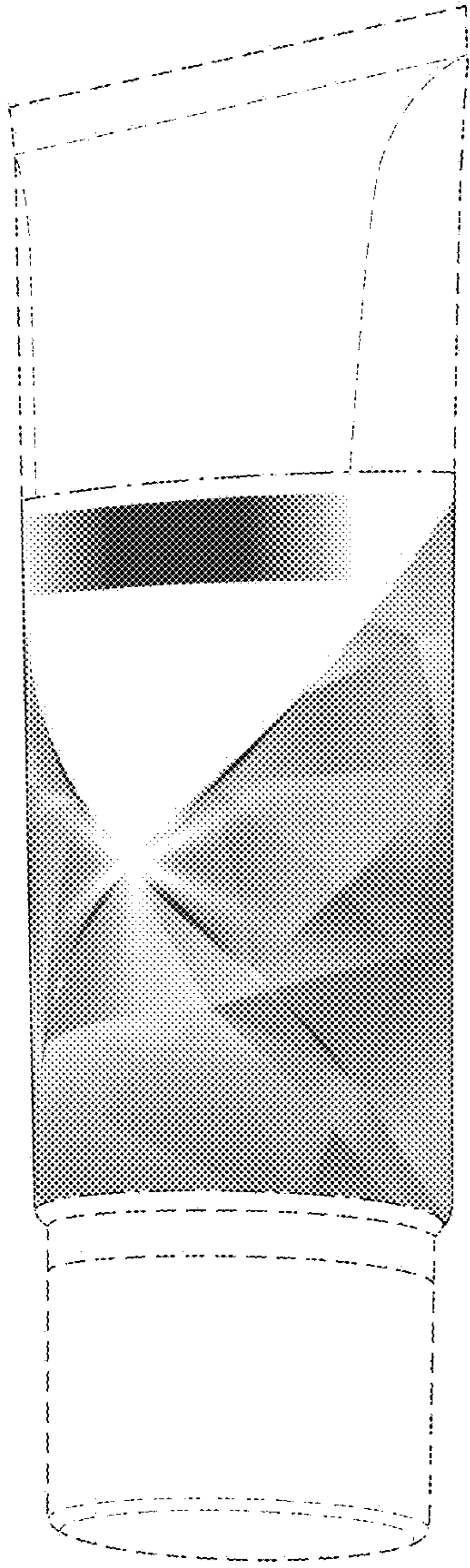


FIG. 36

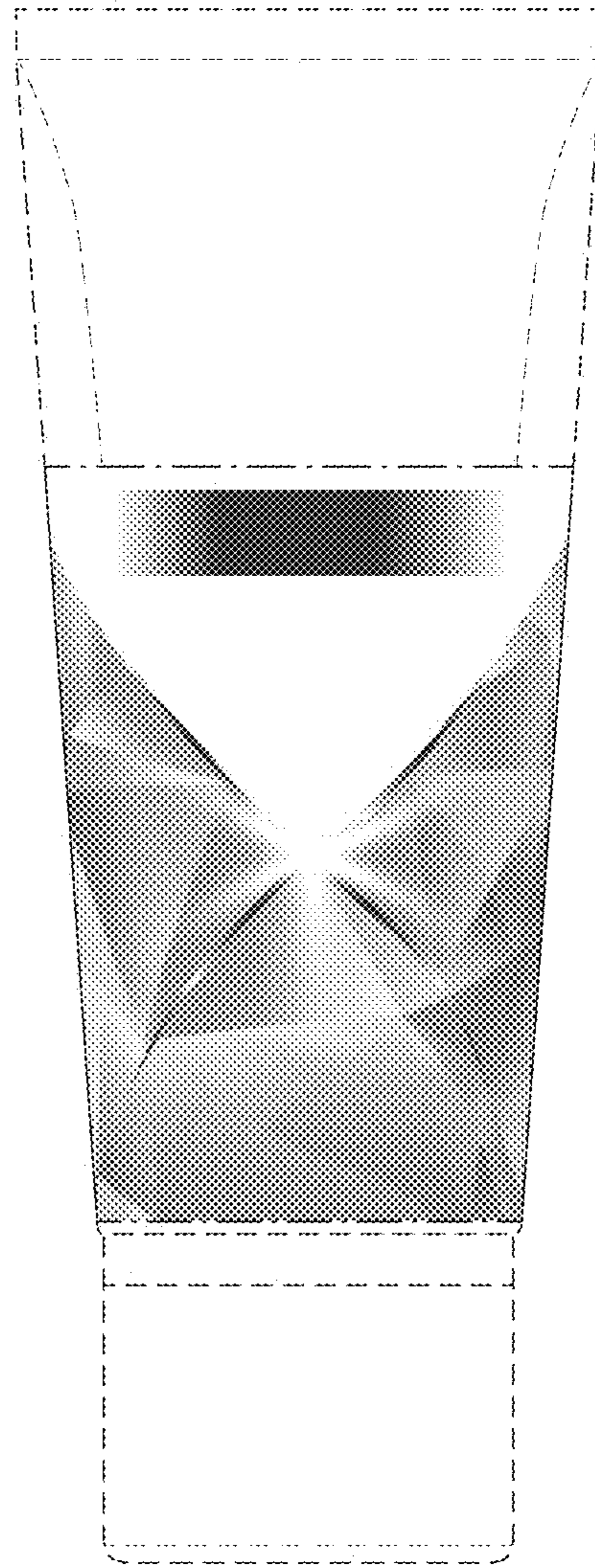


FIG. 37

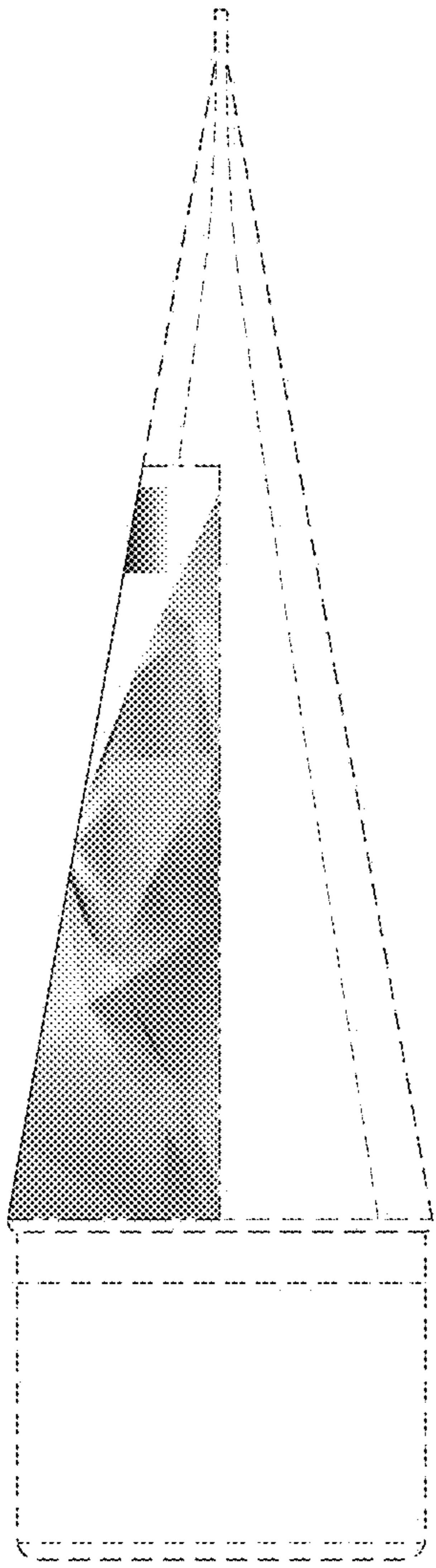


FIG. 38



FIG. 39

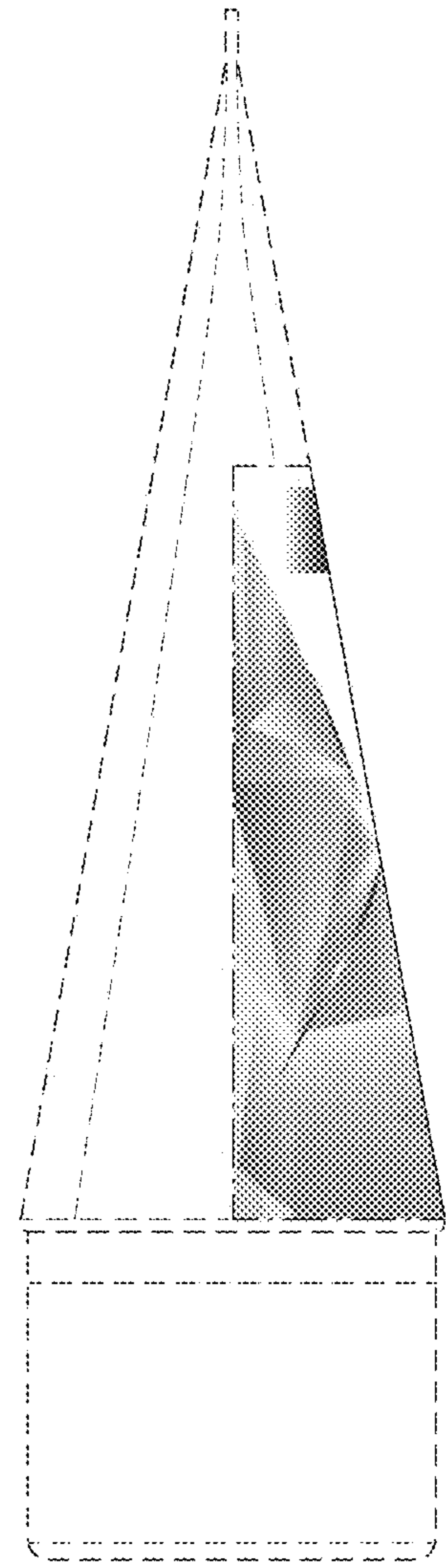


FIG. 40

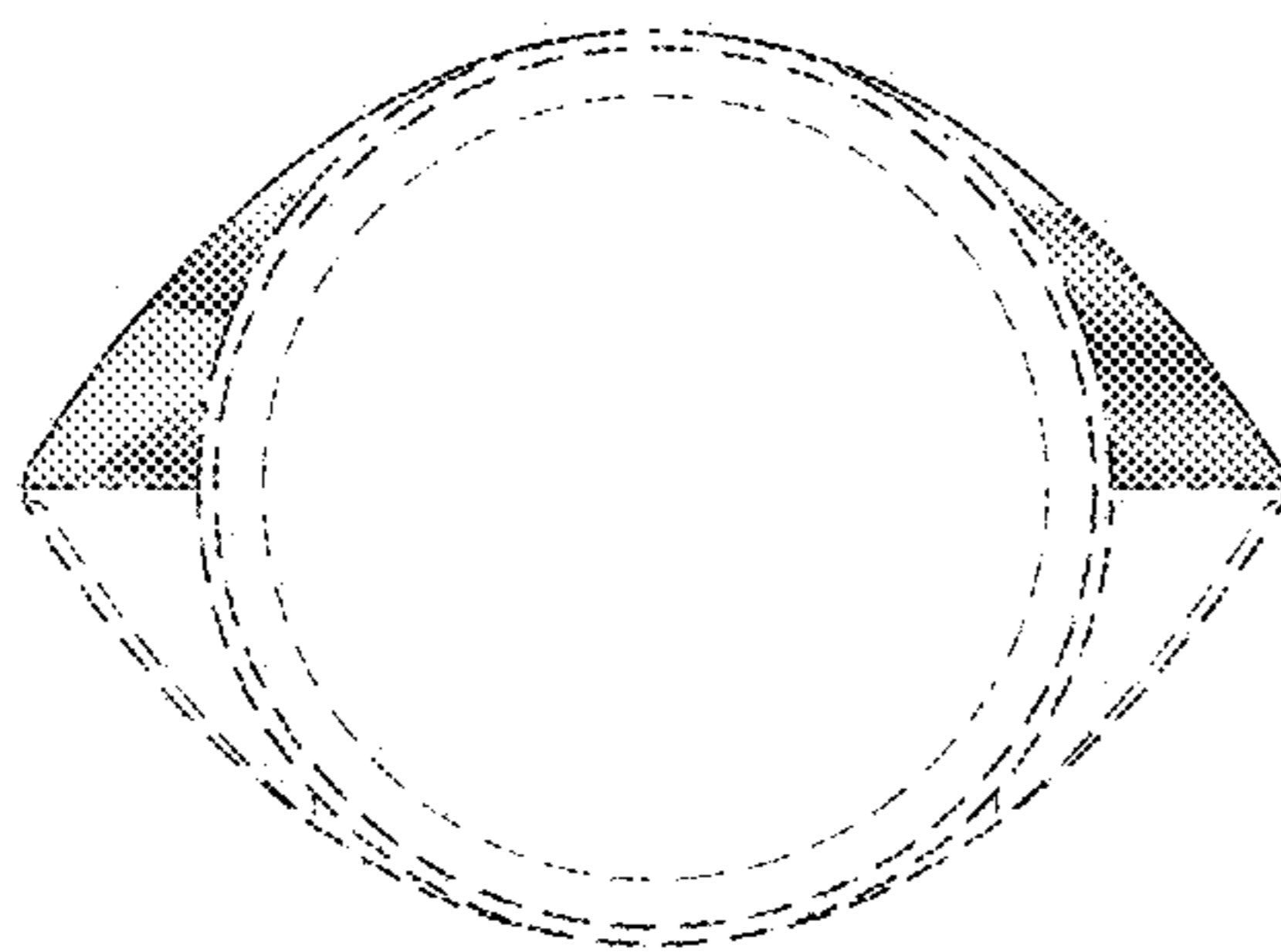


FIG. 41

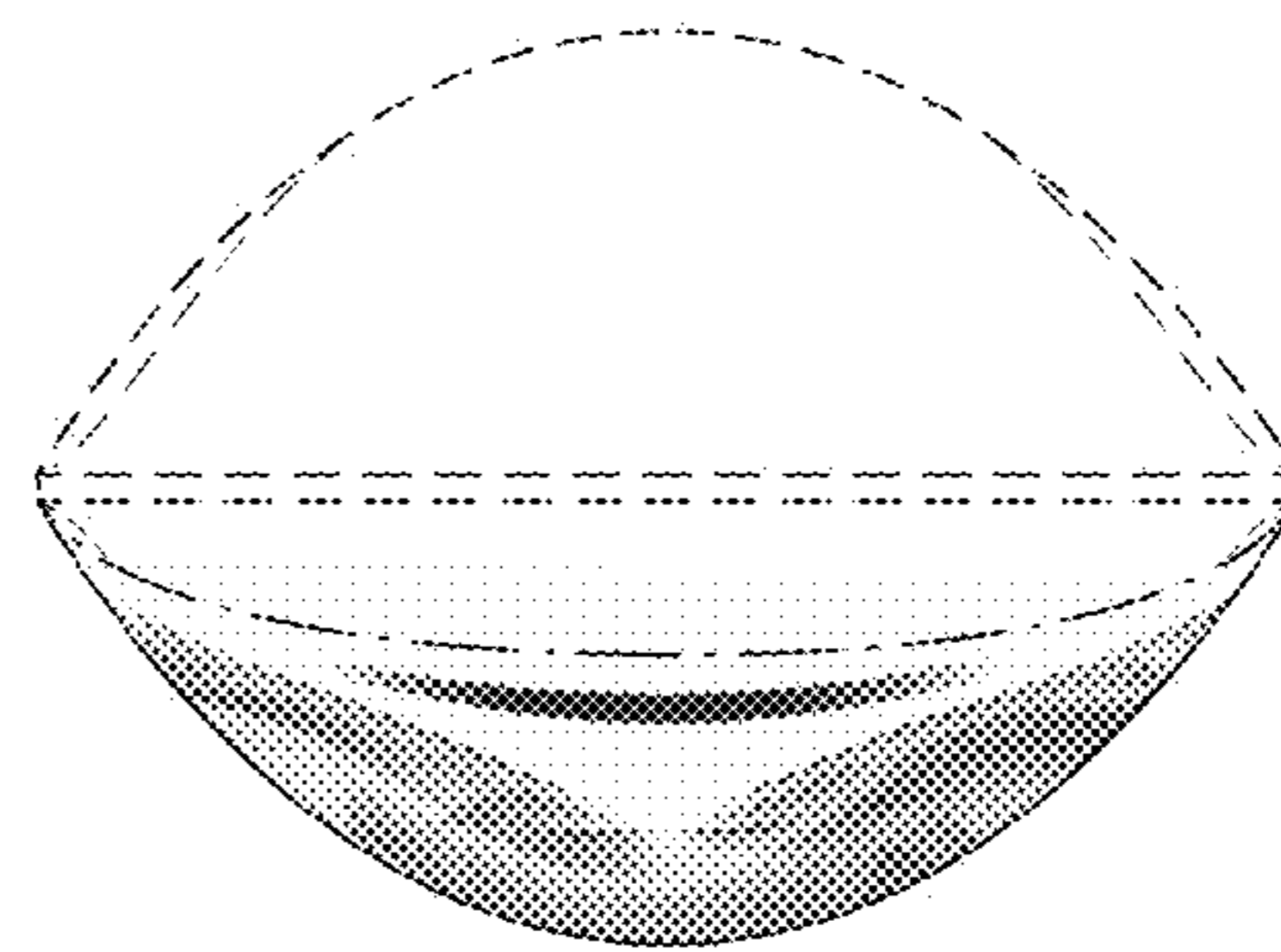


FIG. 42