



US00D953168S

(12) **United States Design Patent** (10) **Patent No.:** **US D953,168 S**
Berean et al. (45) **Date of Patent:** **** May 31, 2022**

(54) **LIQUID DISPENSER**

(71) Applicants: **Christopher M. Berean**, Simpsonville, SC (US); **Aaron J. Smith**, San Diego, CA (US)

(72) Inventors: **Christopher M. Berean**, Simpsonville, SC (US); **Aaron J. Smith**, San Diego, CA (US)

(**) Term: **15 Years**

(21) Appl. No.: **29/773,862**

(22) Filed: **Mar. 12, 2021**

(51) **LOC (13) Cl.** **09-01**

(52) **U.S. Cl.**
USPC **D9/607; D9/601**

(58) **Field of Classification Search**
USPC D1/104, 106, 107, 110; D3/202, 270, D3/271.1, 271.2; D6/512, 539, 542; D7/301-303, 509-511, 514-516, 519, D7/544, 559, 564, 571, 578, 594, 595, D7/599, 604, 606, 613, 619.2, 623, 625, D7/628, 639, 675, 676; D9/441, 451, D9/516, 563, 600, 601, 607, 609, 611, D9/682, 685; D11/44, 48, 49, 51, 52, 81, D11/82, 127, 133, 134, 157, 158; D30/160
CPC A63H 33/16; B65D 5/42; B65D 5/4208; B65D 5/4258; B65D 67/00; B65D 77/00; B65D 81/365; B65D 81/366; B65D 81/368; B65D 2203/00; B65D 2203/02
See application file for complete search history.

(56) **References Cited**

U.S. PATENT DOCUMENTS

D357,588 S * 4/1995 Fachinger D6/302
5,604,478 A * 2/1997 Grady A01K 15/02
340/330

D445,518 S 7/2001 Warden
D504,223 S * 4/2005 Tamburri D3/211

(Continued)

OTHER PUBLICATIONS

4AllPromos, "Custom Paw Shaped Pet Bowl", <https://www.4allpromos.com/product/paw-shaped-pet-bowl>. Accessed Mar. 30, 2021, Essex Connecticut 06426.

(Continued)

Primary Examiner — Wendy L Arminio

(74) *Attorney, Agent, or Firm* — Fantastic IP Consulting; Eduardo E. Drake

(57) **CLAIM**

The ornamental design for a liquid dispenser, as shown and described.

DESCRIPTION

A portion of the disclosure of this patent document contains material which is subject to copyright protection. The copyright owner has no objection to the facsimile reproduction by anyone of the patent document or the patent disclosure, as it appears in the Patent and Trademark Office patent file or records, but otherwise reserves all copyright rights whatsoever. The following notice applies to this document: Copyright © 2021, Christopher M. Berean and Aaron J. Smith.

The present application is related to U.S. Provisional Patent Application 63/159,449 which was filed Mar. 11, 2021, and which is incorporated herein by reference.

FIG. 1 is a front perspective view of a liquid dispenser;

FIG. 2 is a back perspective view thereof;

FIG. 3 is a left side view thereof;

FIG. 4 is a right side view thereof;

FIG. 5 is a front view thereof;

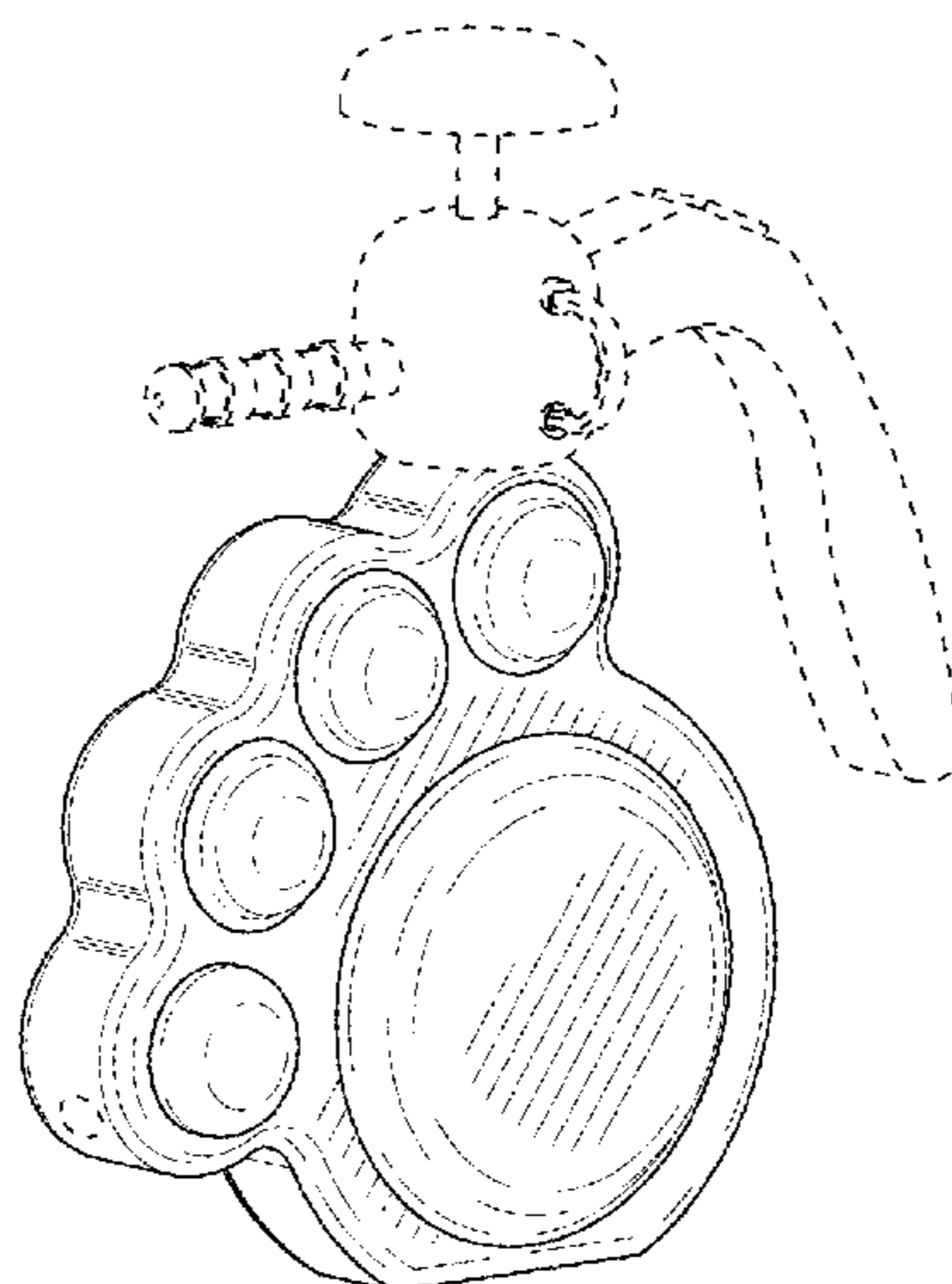
FIG. 6 is a back view thereof;

FIG. 7 is a top view thereof; and,

FIG. 8 is a bottom view thereof.

The broken lines in the drawings depict environment or structural features that form no part of the claimed design.

1 Claim, 3 Drawing Sheets



Copyright © 2021,
Christopher M. Berean and
Aaron J. Smith

(56)

References Cited

U.S. PATENT DOCUMENTS

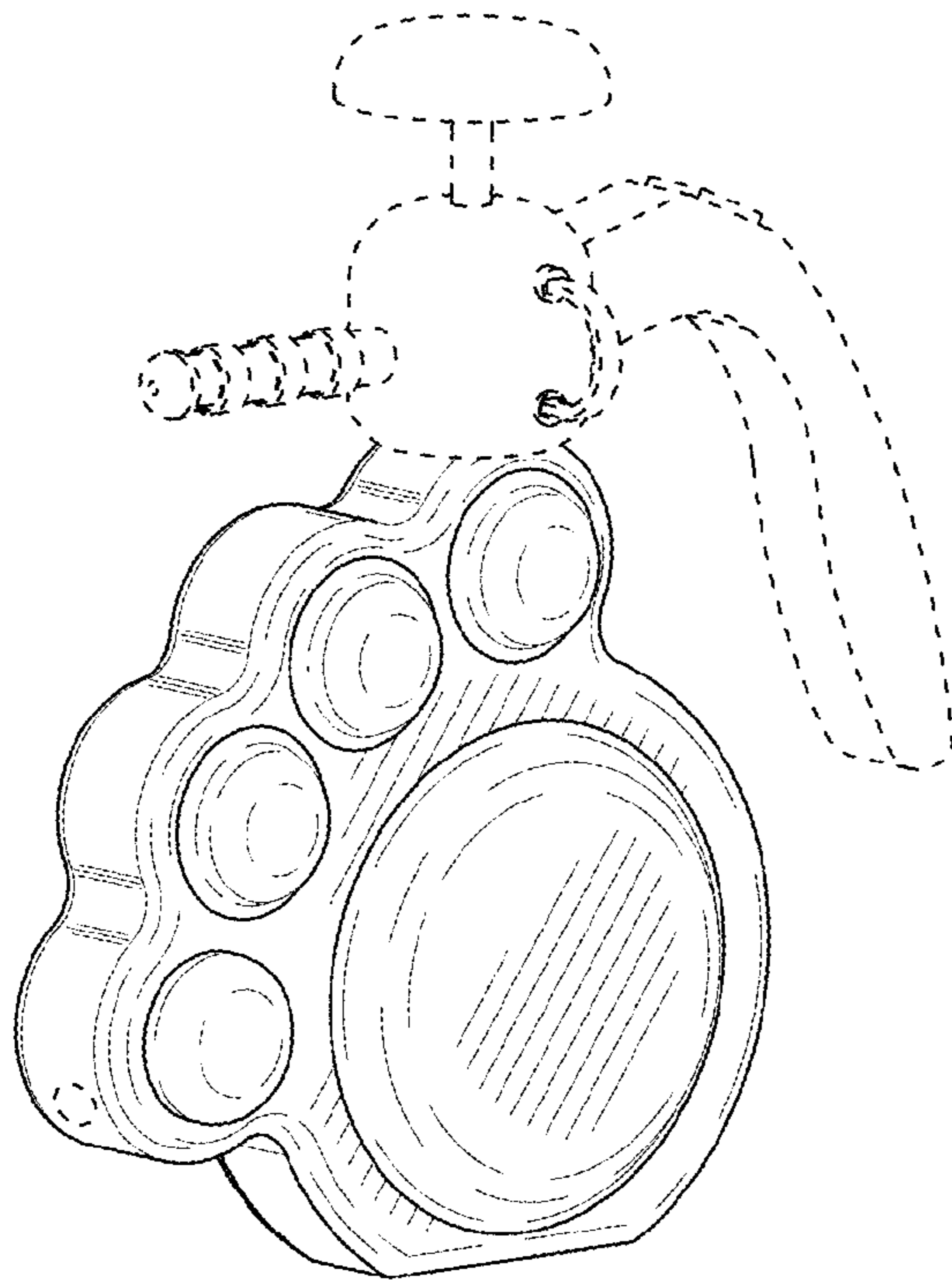
D531,364 S * 10/2006 Crane D30/118
 D571,929 S * 6/2008 Palmer, III D25/2
 D572,141 S 7/2008 Slabaugh
 D581,830 S 12/2008 Slabaugh
 D585,727 S 2/2009 Kelleghan
 D591,162 S 4/2009 Slabaugh
 D591,478 S * 5/2009 Slusarczyk D1/107
 D605,527 S * 12/2009 Kerr D9/607
 D606,278 S * 12/2009 Kerr D1/107
 D614,074 S * 4/2010 Castaline D11/79
 D622,028 S * 8/2010 Kerr D1/107
 D631,757 S 2/2011 Kerr et al.
 D650,147 S * 12/2011 Kerr D1/106
 D654,245 S 2/2012 School
 D676,202 S 2/2013 Hansen
 D682,442 S * 5/2013 Nguyen D24/224
 D685,565 S 7/2013 Bhandula
 D687,616 S 8/2013 Smith et al.
 D691,853 S * 10/2013 Gilmour D9/607
 D693,862 S 11/2013 Wirth, Jr. et al.
 D694,299 S 11/2013 Wirth, Jr. et al.
 D697,687 S * 1/2014 Kerr D1/107
 D702,437 S 4/2014 Laboret

8,732,919 B1 * 5/2014 Malueg-Ray A61G 17/007
 27/1
 D757,374 S * 5/2016 Breit D30/133
 D785,779 S * 5/2017 Paris D24/102
 D804,456 S 12/2017 Katopis
 D811,622 S * 2/2018 Flood D25/113
 D812,594 S * 3/2018 Katopis D14/223
 D819,901 S * 6/2018 Bone D30/199
 D859,776 S * 9/2019 Khan D99/5
 D869,817 S 12/2019 White
 D872,576 S 1/2020 Tomassetti et al.
 D874,273 S 2/2020 Katopis
 D902,504 S * 11/2020 Katopis D30/159
 D913,175 S * 3/2021 Spencer D12/193
 D927,383 S * 8/2021 Windle D12/203
 D929,672 S * 8/2021 Hoover D30/160
 2011/0132269 A1 6/2011 Davidson
 2012/0068396 A1 * 3/2012 Wirth, Jr. B23Q 1/032
 269/289 R

OTHER PUBLICATIONS

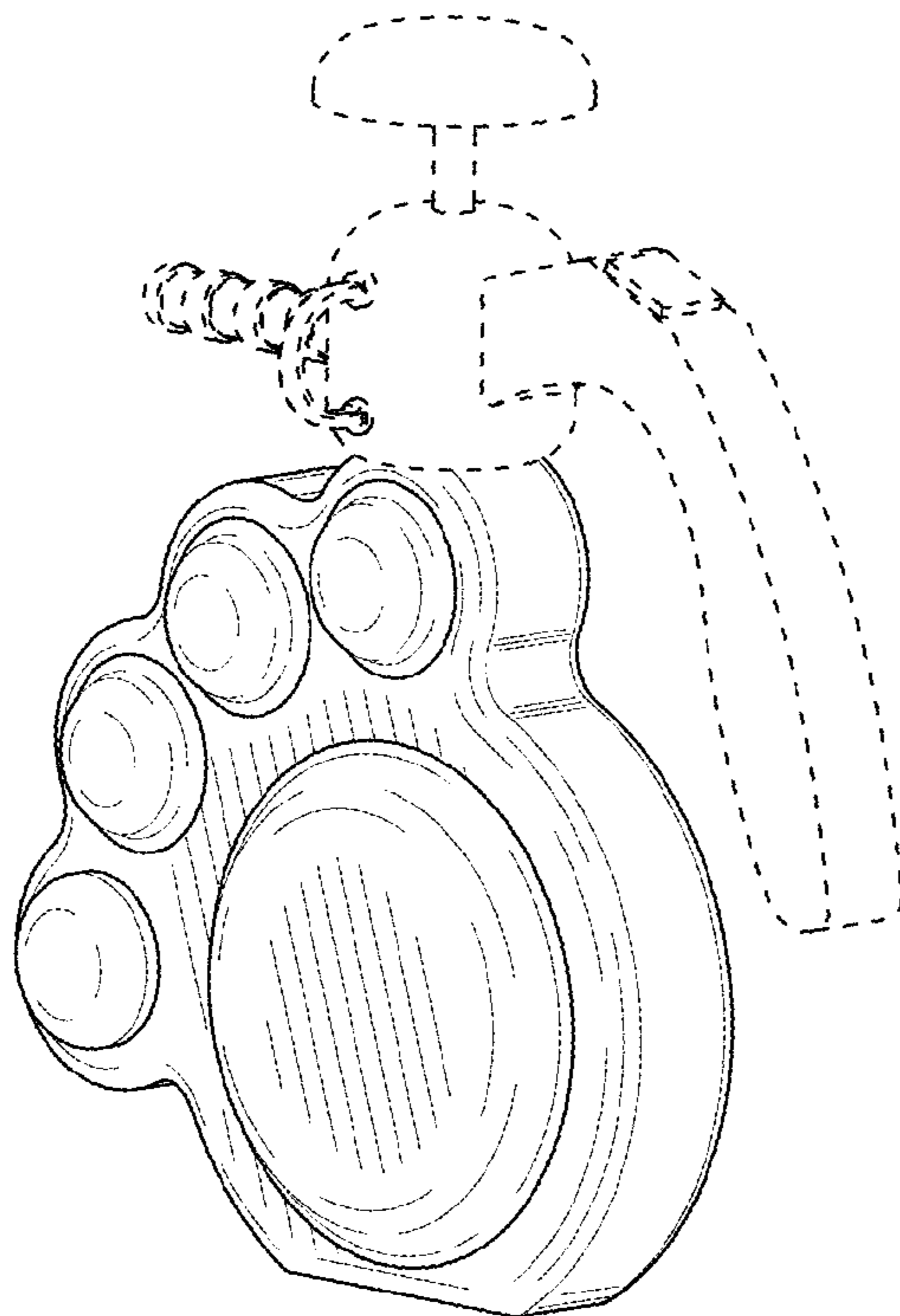
Imprint 5, "Pet Waste Bags w/ Custom Paw Shaped Dispenser",
<https://www.imprint5.com/pet-waste-bags-w-custom-paw-shaped-dispenser.html>. Accessed Mar. 30, 2021, Essex Connecticut 06426.

* cited by examiner



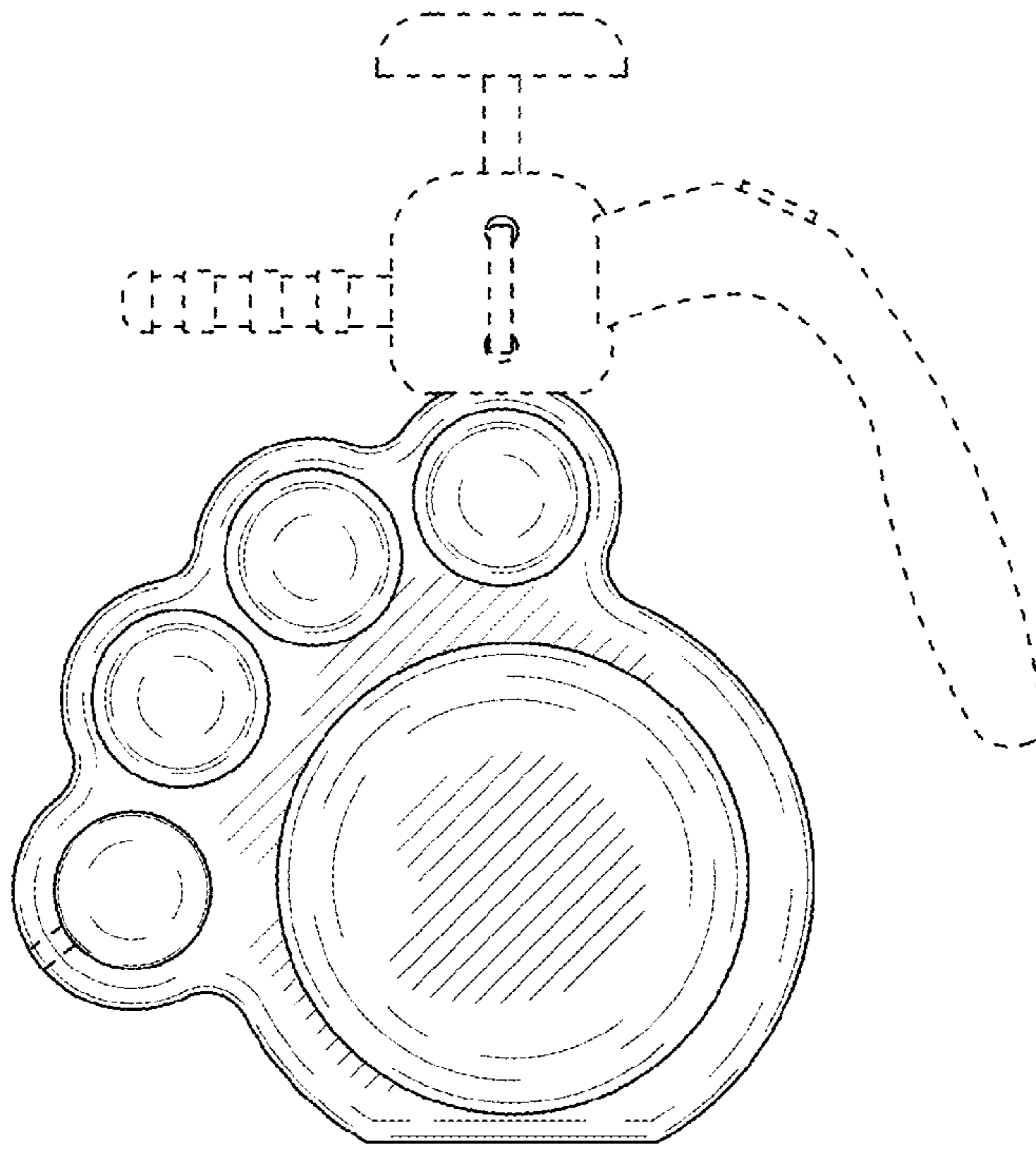
Copyright © 2021,
Christopher M. Berean and
Aaron J. Smith

Fig. 1



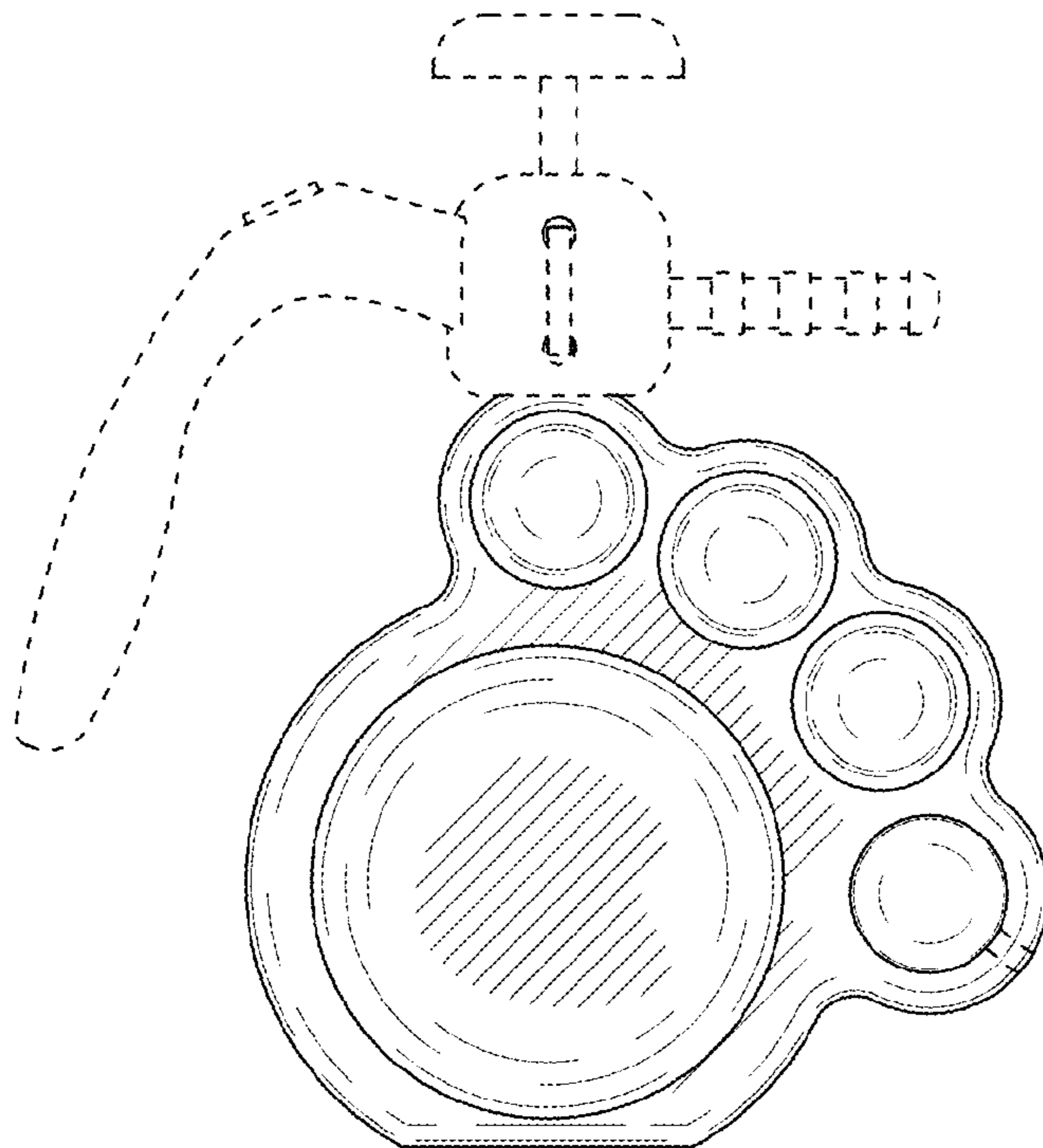
Copyright © 2021,
Christopher M. Berean and
Aaron J. Smith

Fig. 2



Copyright © 2021,
Christopher M. Berean and
Aaron J. Smith

Fig. 3



Copyright © 2021,
Christopher M. Berean and
Aaron J. Smith

Fig. 4

Copyright © 2021,
Christopher M. Berean and
Aaron J. Smith

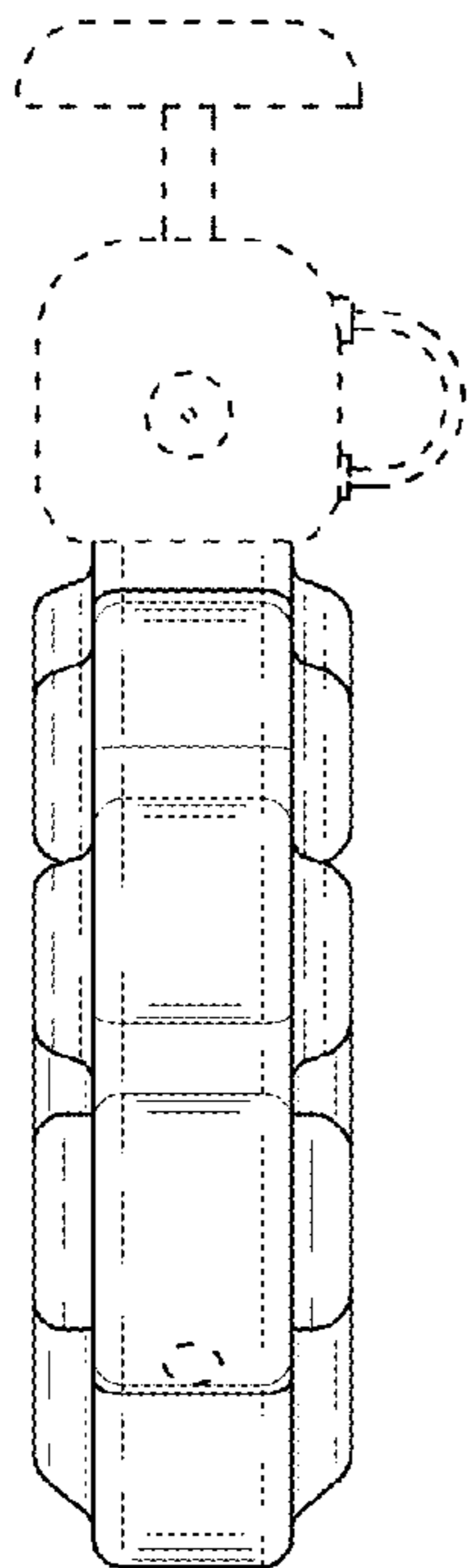


Fig. 5

Copyright © 2021,
Christopher M. Berean and
Aaron J. Smith

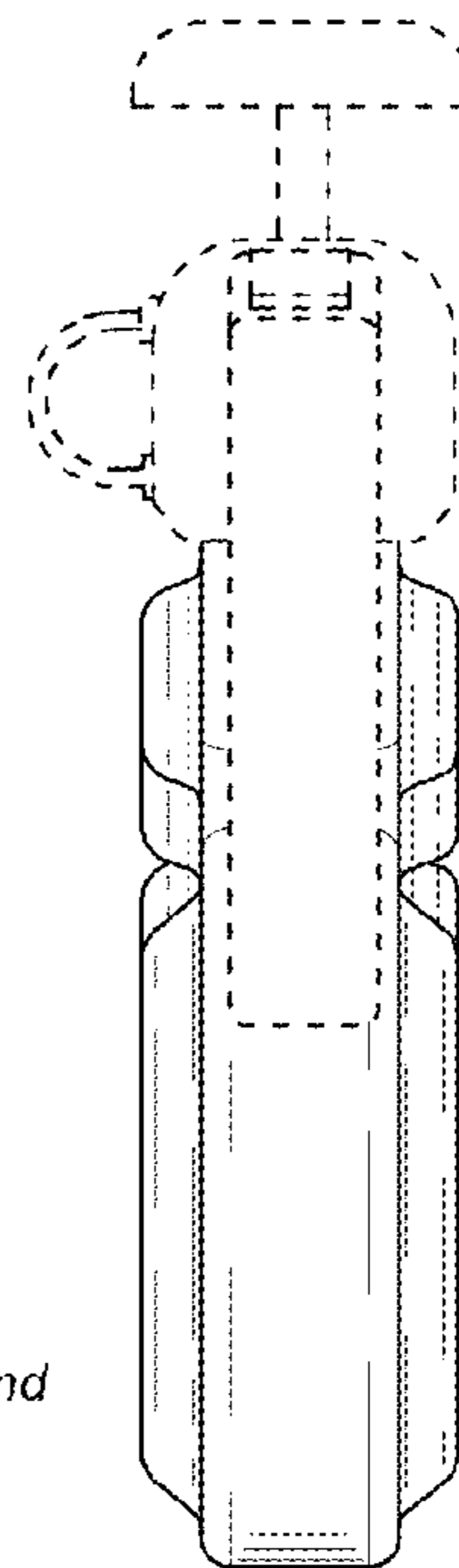


Fig. 6

Copyright © 2021,
Christopher M. Berean and
Aaron J. Smith

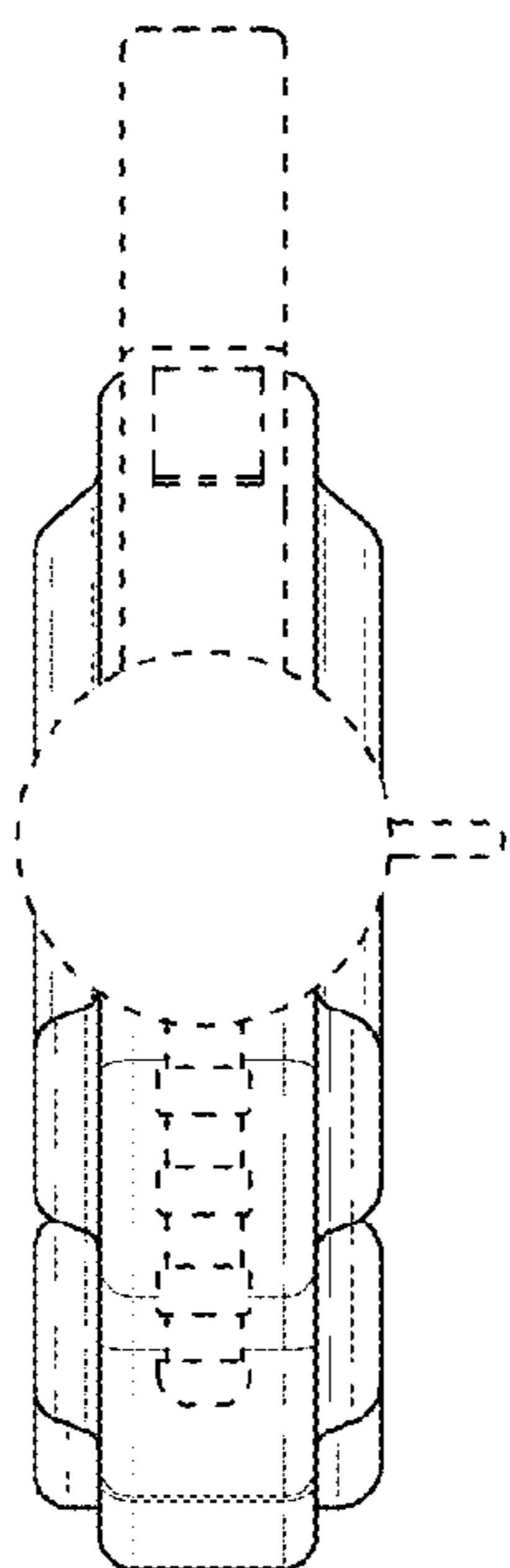


Fig. 7

Copyright © 2021,
Christopher M. Berean and
Aaron J. Smith

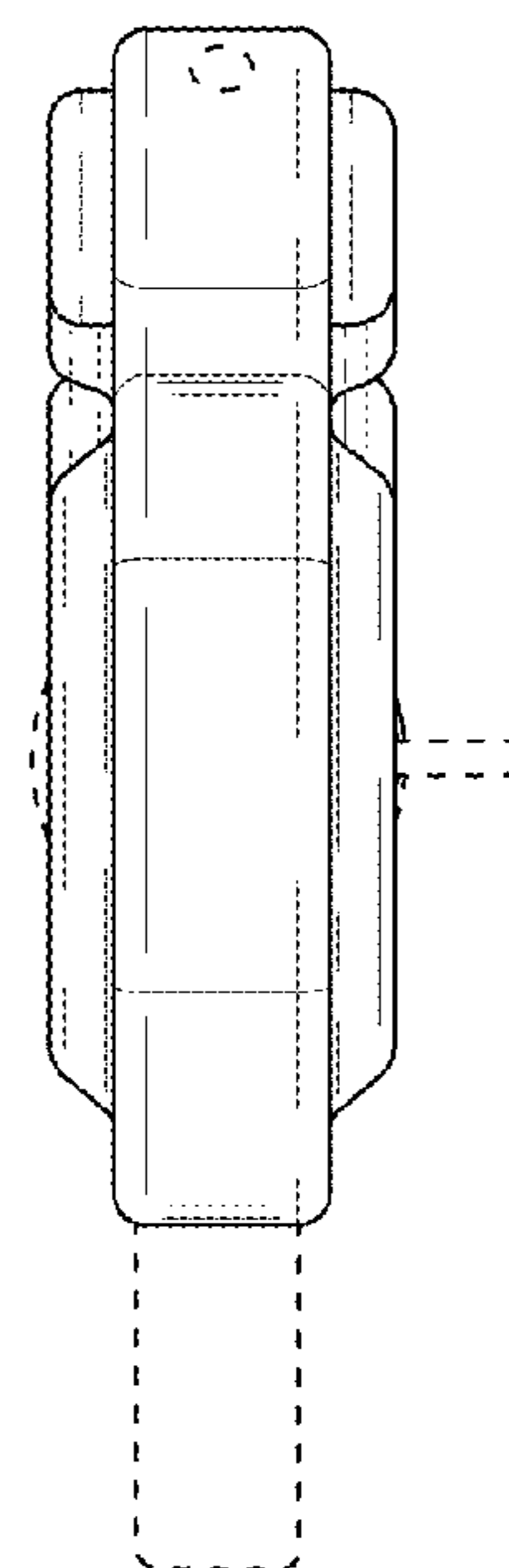


Fig. 8